



US00D416050S

United States Patent [19]

Caloia et al.

[11] Patent Number: **Des. 416,050**

[45] Date of Patent: **** Nov. 2, 1999**

[54] **DEVICE TAG FOR DISPLAY OF ELECTRICAL DEVICES**

[75] Inventors: **Lisa Cookie Caloia**, Solvay; **Timothy Kiggins**; **Frederick Kandel**, both of Syracuse, all of N.Y.

[73] Assignee: **Pass & Seymour, Inc.**, Syracuse, N.Y.

[**] Term: **14 Years**

[21] Appl. No.: **29/097,815**

[22] Filed: **Dec. 15, 1998**

[51] **LOC (6) Cl.** **19-08**

[52] **U.S. Cl.** **D20/22; D20/23; D13/154**

[58] **Field of Search** **D20/10, 23, 24, D20/22, 25, 26, 27, 28; 40/299.21, 300, 316, 27.5; 283/81; D13/154, 157**

[56] References Cited

U.S. PATENT DOCUMENTS

- D. 74,031 12/1927 Stanton .
- D. 241,539 9/1976 Iverson D20/22
- D. 253,389 11/1979 South, Jr. .
- D. 294,485 3/1988 Johansson .
- D. 301,722 6/1989 Sachs .
- D. 314,984 2/1991 Hass .
- D. 336,930 6/1993 Mori et al. .
- D. 338,688 8/1993 Mori et al. .
- D. 343,642 1/1994 Ho D20/11
- D. 344,980 3/1994 Skarin .

- D. 377,688 1/1997 Dunshee et al. D20/11
- 2,874,495 2/1959 Fowler 40/1.5
- 3,963,124 6/1976 Banks .
- 3,993,814 11/1976 Cavender .
- 4,868,027 9/1989 Hunkeler et al. .
- 5,085,906 2/1992 Ast et al. .
- 5,343,647 9/1994 Bulka .
- 5,379,538 1/1995 Osborne .
- 5,449,201 9/1995 Miller et al. .
- 5,645,300 7/1997 Hill .
- 5,702,128 12/1997 Maxim et al. 283/81

Primary Examiner—Susan J. Lucas
Assistant Examiner—Jennifer Rivard
Attorney, Agent, or Firm—Harter, Secrest & Emery LLP;
 Stephen B. Salai

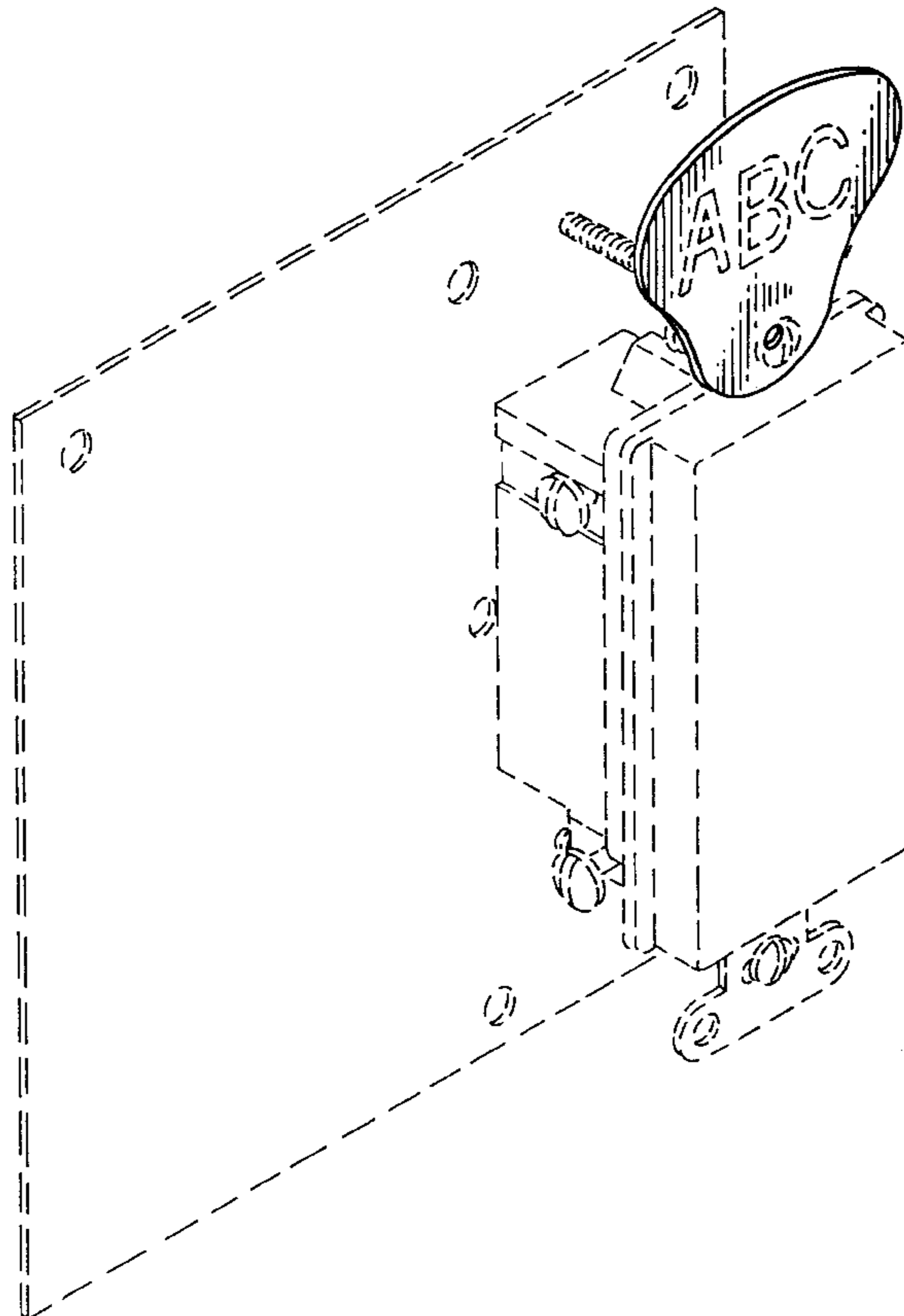
[57] CLAIM

The ornamental design for a device tag for display of electrical devices, as shown and described.

DESCRIPTION

FIG. 1 is a perspective view of the tag.
 FIG. 2 is a front plan view of the tag of FIG. 1.
 FIG. 3 is a side elevational view of the tag of FIG. 1.
 FIG. 4 is a rear plan view of the tag of FIG. 1; and,
 FIG. 5 is a perspective view showing the tag of FIG. 1 in cooperative orientation with respect to an electrical display device.
 The broken lines are shown for illustrative purposes only and form no part of the claimed design.

1 Claim, 2 Drawing Sheets



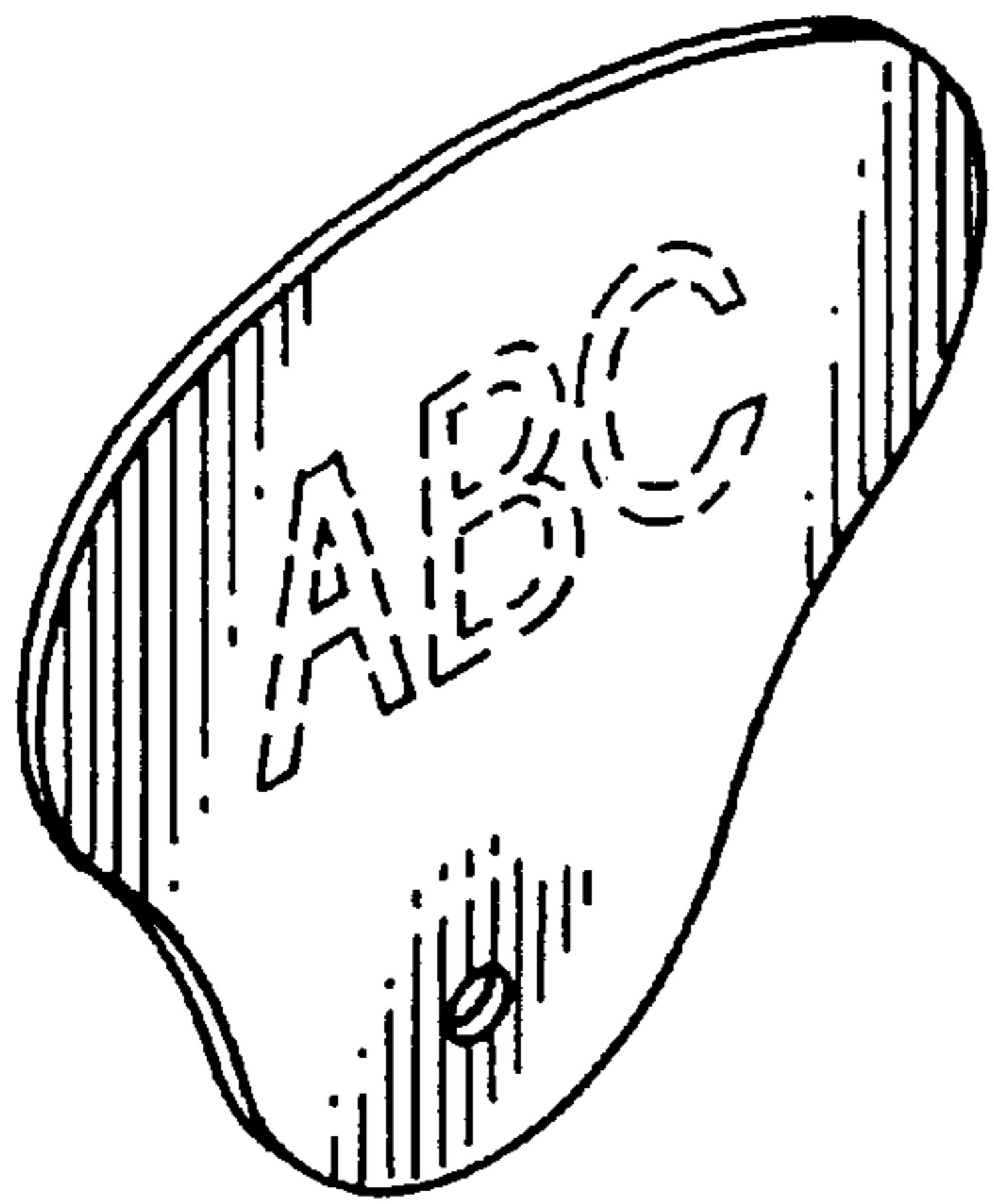


FIG. 1

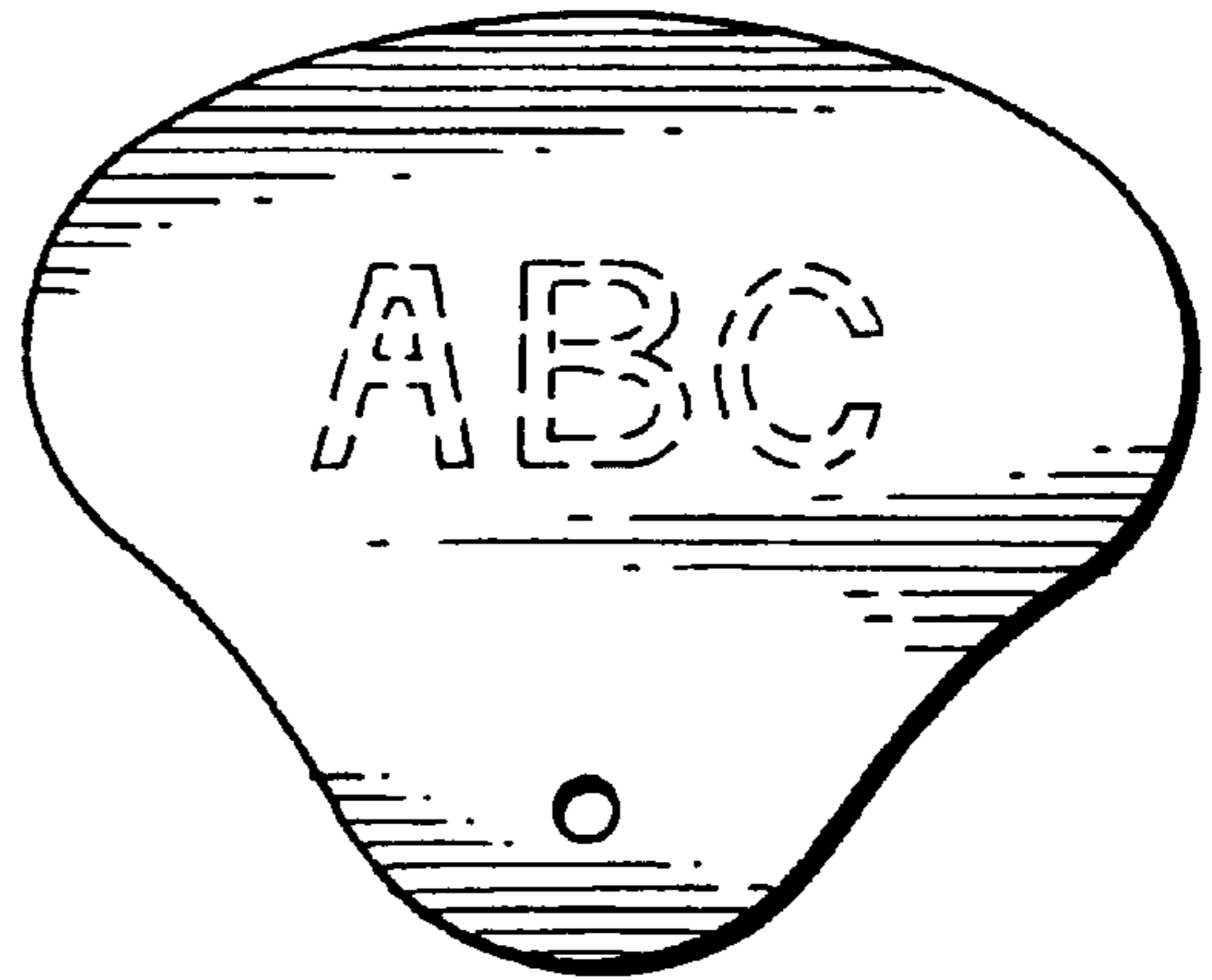


FIG. 2



FIG. 3

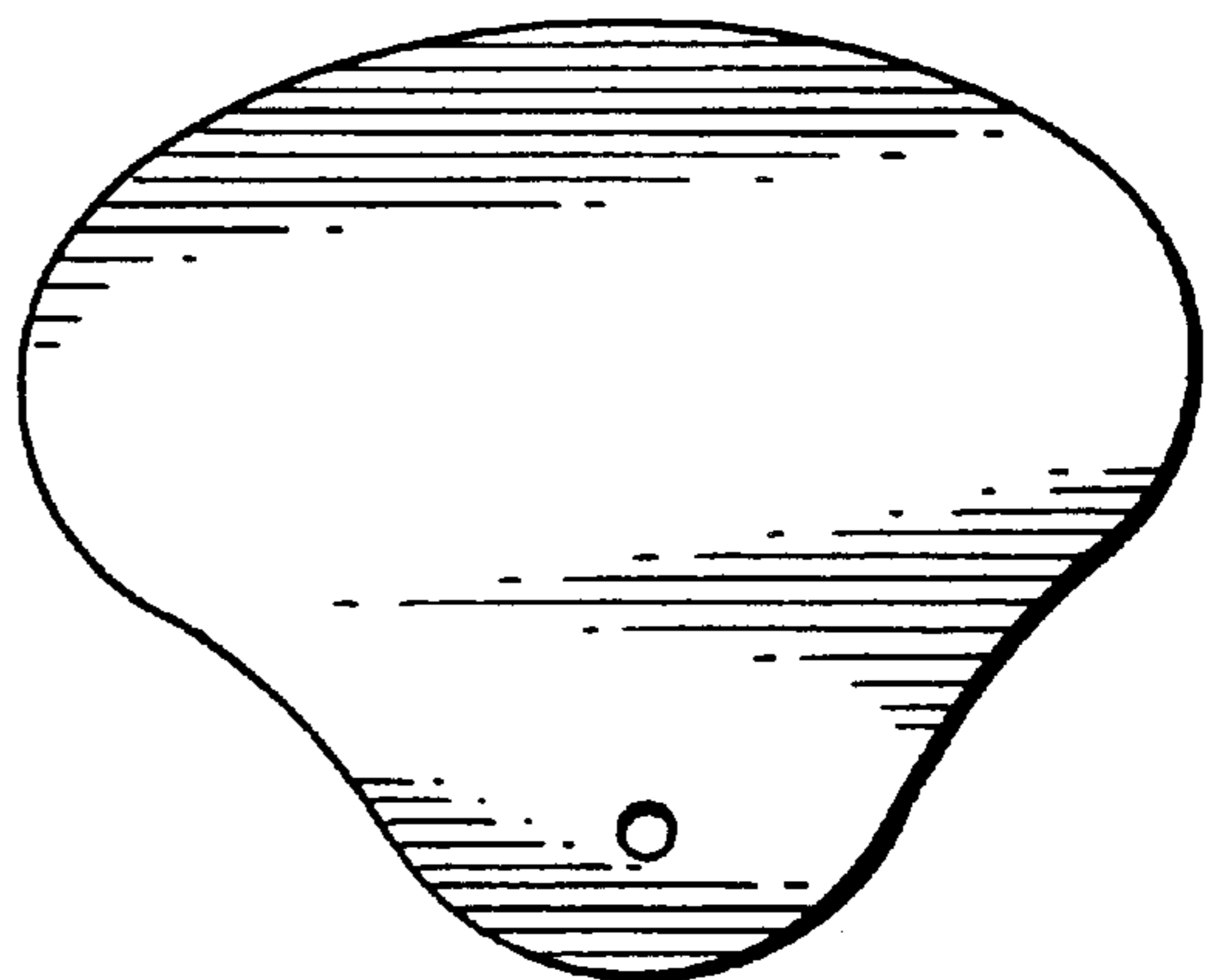


FIG. 4

FIG. 5

