



US00D416047S

United States Patent [19]

[11] **Patent Number: Des. 416,047**

Kwok

[45] **Date of Patent: ** Nov. 2, 1999**

[54] **STATIONERY ACCESSORY**

[75] Inventor: **Tat Cheong Kwok**, Chaiwan, The Hong Kong Special Administrative Region of the People's Republic of China

[73] Assignee: **Kwok's Brother Manufacturing Limited**, Chaiwan, The Hong Kong Special Administrative Region of the People's Republic of China

[**] Term: **14 Years**

[21] Appl. No.: **29/100,493**

[22] Filed: **Feb. 11, 1999**

[51] **LOC (6) Cl.** **19-06**

[52] **U.S. Cl.** **D19/82; D21/650; D19/75; D19/97**

[58] **Field of Search** **D21/650, 65; D19/35, D19/36, 65, 75, 77, 78, 73, 74, 81-85, 95, 99, 100; 144/28.1-28.9; 446/442; D11/158; 206/214, 224, 371**

[56] **References Cited**

U.S. PATENT DOCUMENTS

D. 103,288	2/1937	Ross	D19/73
D. 169,980	7/1953	Knapp	D19/73
D. 180,717	7/1957	Jones et al.	D21/650 X
D. 216,843	3/1970	Lew	D19/82
D. 226,613	4/1973	Stauffer	D11/158

(List continued on next page.)

Primary Examiner—Martie K. Holtje
Attorney, Agent, or Firm—Sheridan Ross P.C.

[57] **CLAIM**

The ornamental design for a stationery accessory, as shown and described.

DESCRIPTION

FIG. 1 is a right front perspective view of a stationery accessory showing my new design in a closed condition;

FIG. 2 is a right front perspective view of FIG. 1 in an opened position;

FIG. 3 is a front elevational view in the closed position;

FIG. 4 is a front elevational view in the opened position;

FIG. 5 is a rear elevational view in the closed position;

FIG. 6 is a rear elevational view in the opened position;

FIG. 7 is a right side elevational view in the closed position;

FIG. 8 is a right side elevational view in the opened position;

FIG. 9 is a left side elevational view in the closed position;

FIG. 10 is a left side elevational view in the opened position;

FIG. 11 is a top plan view in the closed position;

FIG. 12 is a top plan view in the opened position;

FIG. 13 is a bottom plan view in the closed position;

FIG. 14 is a bottom plan view in the opened position;

FIG. 15 is a right front perspective view of a second embodiment of my new design of FIG. 1 in a closed condition;

FIG. 16 is a right front perspective view of FIG. 15 in an opened position;

FIG. 17 is a front elevational view of FIG. 15 in the closed position;

FIG. 18 is a front elevational view of FIG. 15 in the opened position;

FIG. 19 is a rear elevational view of FIG. 15 in the closed position;

FIG. 20 is a rear elevational view of FIG. 15 in the opened position;

FIG. 21 is a right side elevational view of FIG. 15 in the closed position;

FIG. 22 is a right side elevational view of FIG. 15 in the opened position;

FIG. 23 is a left side elevational view of FIG. 15; in the closed position;

FIG. 24 is a left left elevational view of FIG. 15; in the opened position;

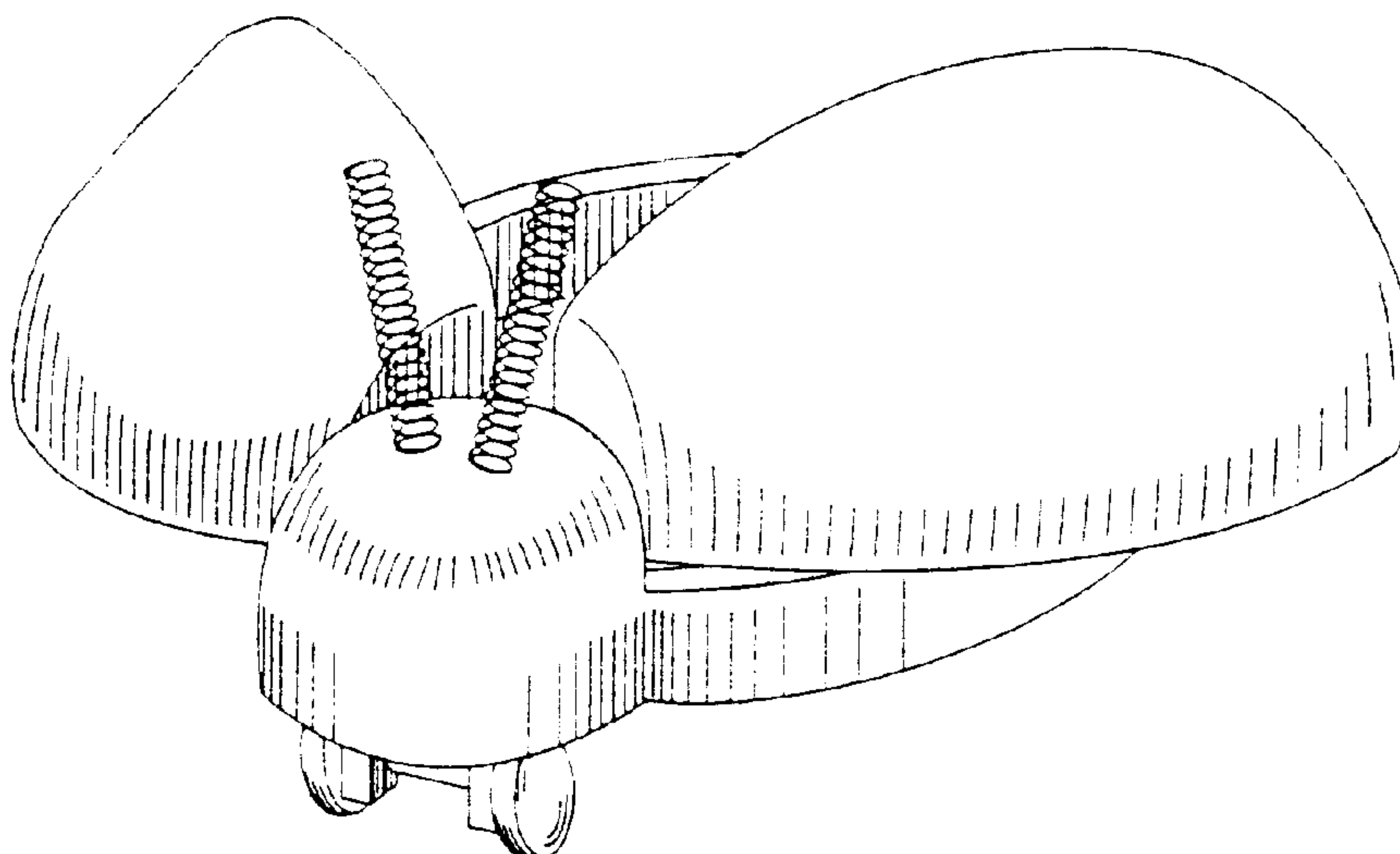
FIG. 25 is a top plan view of FIG. 15 in the closed position;

FIG. 26 is a top plan view of FIG. 15 in the opened position;

FIG. 27 is a bottom plan view of FIG. 15 in the closed position; and,

FIG. 28 is a bottom plan view of FIG. 15 in the opened position.

1 Claim, 14 Drawing Sheets



Des. 416,047

Page 2

U.S. PATENT DOCUMENTS

D. 298,341	11/1988	Warwicker	D19/75	D. 342,769	12/1993	Stangl	D21/650 X
D. 338,041	8/1993	Cheng	D19/82 X	D. 347,795	6/1994	Kuo	D21/650 X
				2,770,074	11/1956	Jones et al.	446/442
				3,980,113	9/1976	Birdsall	144/28.6

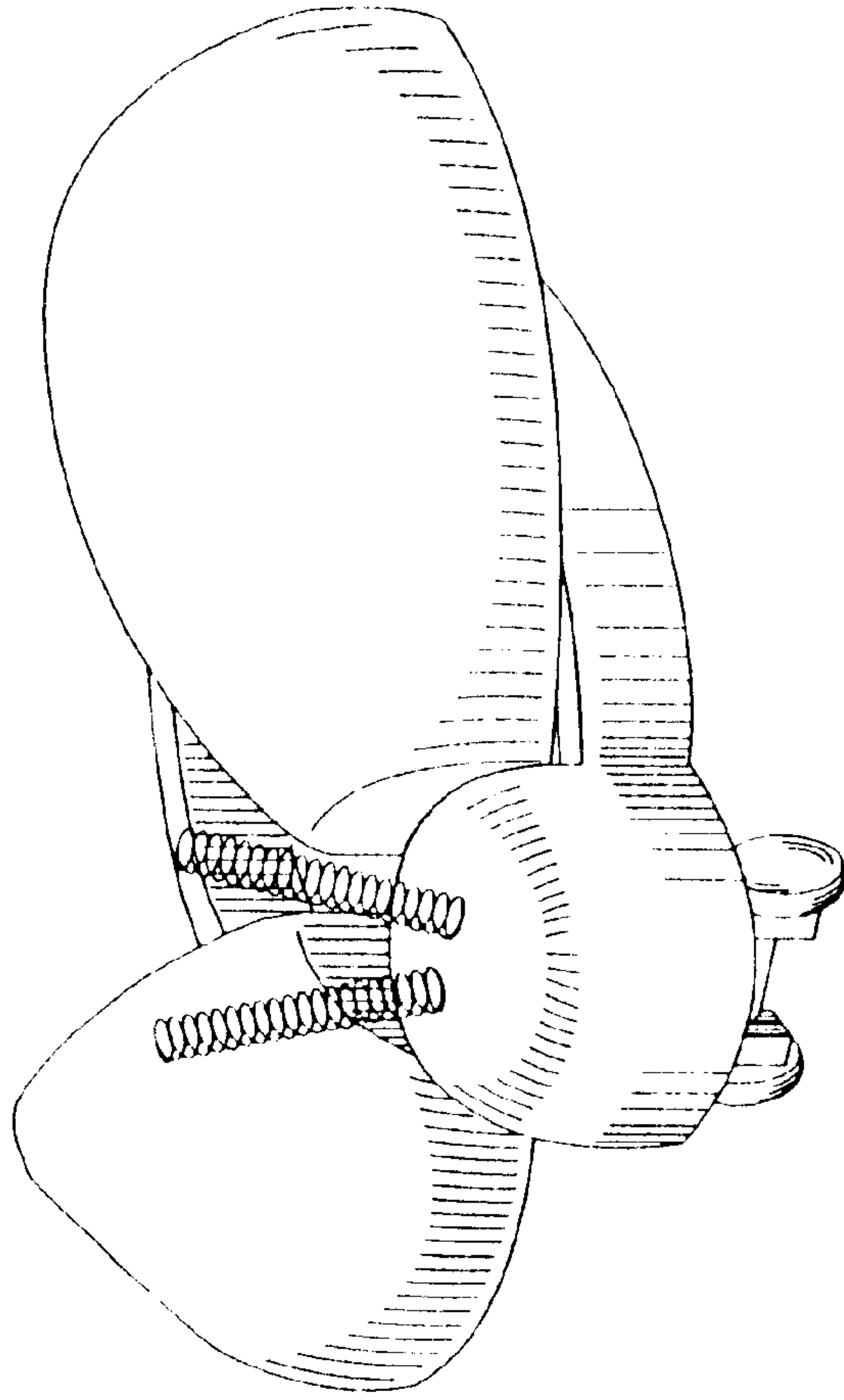


FIG. 2

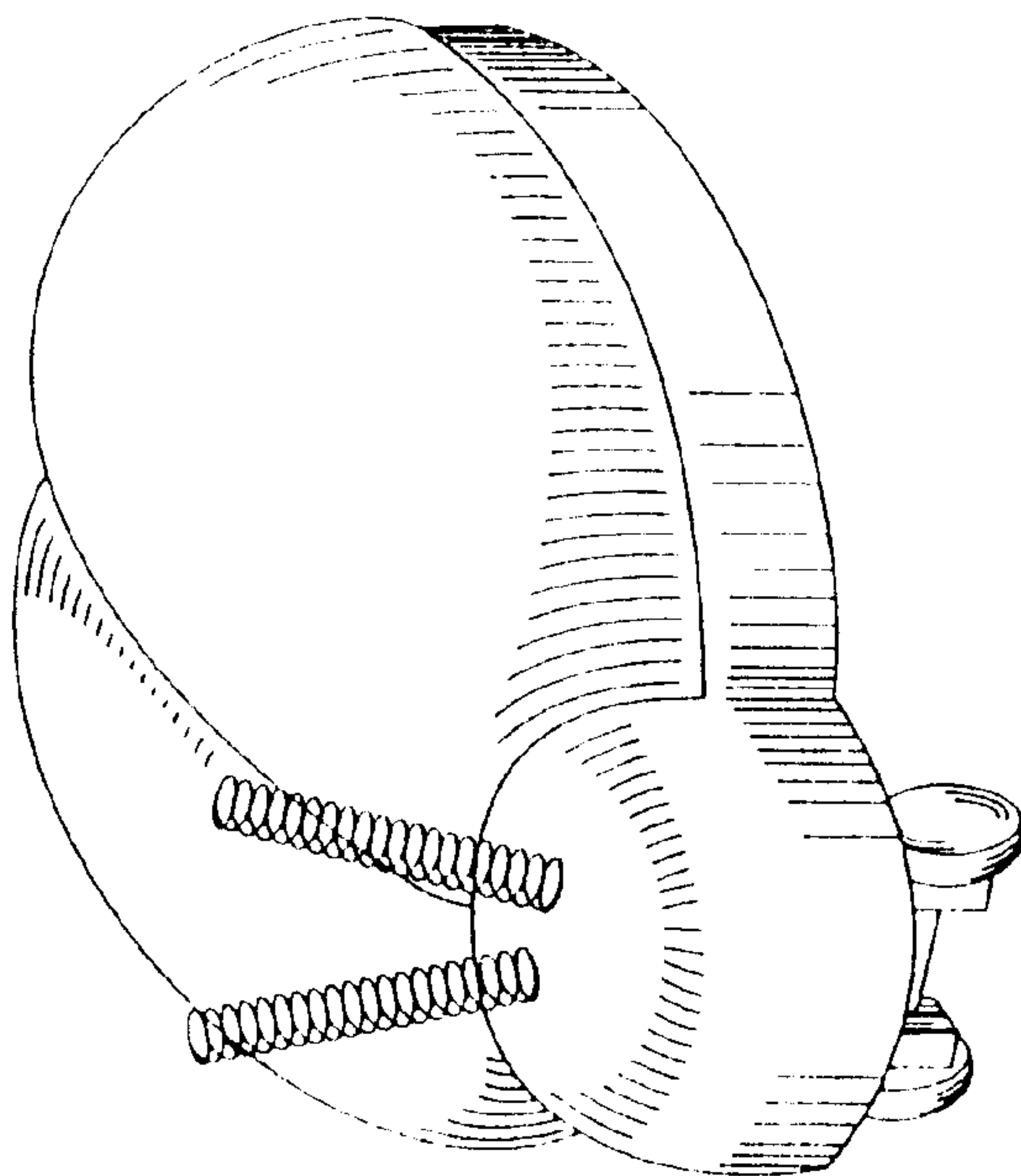


FIG. 1

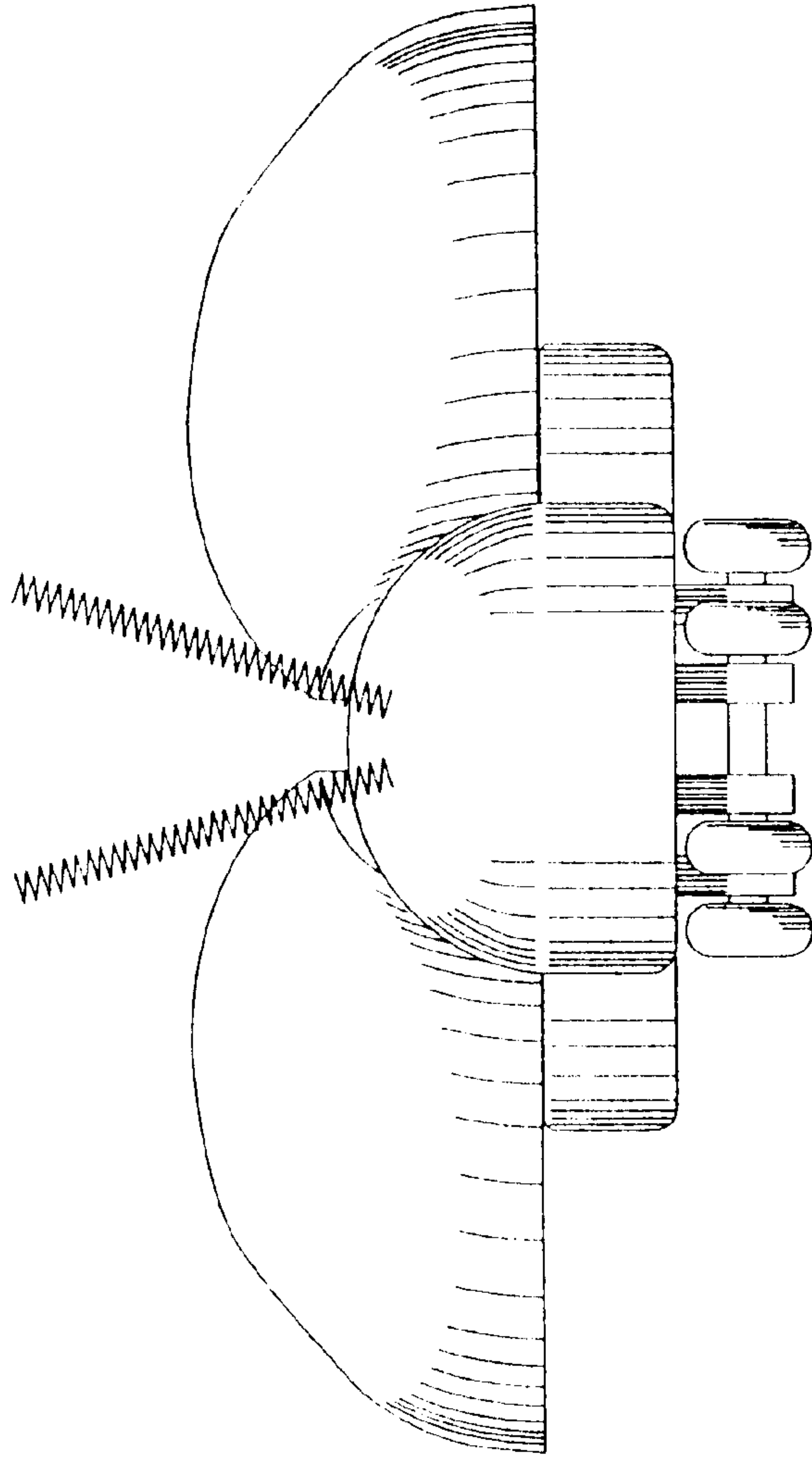


FIG. 4

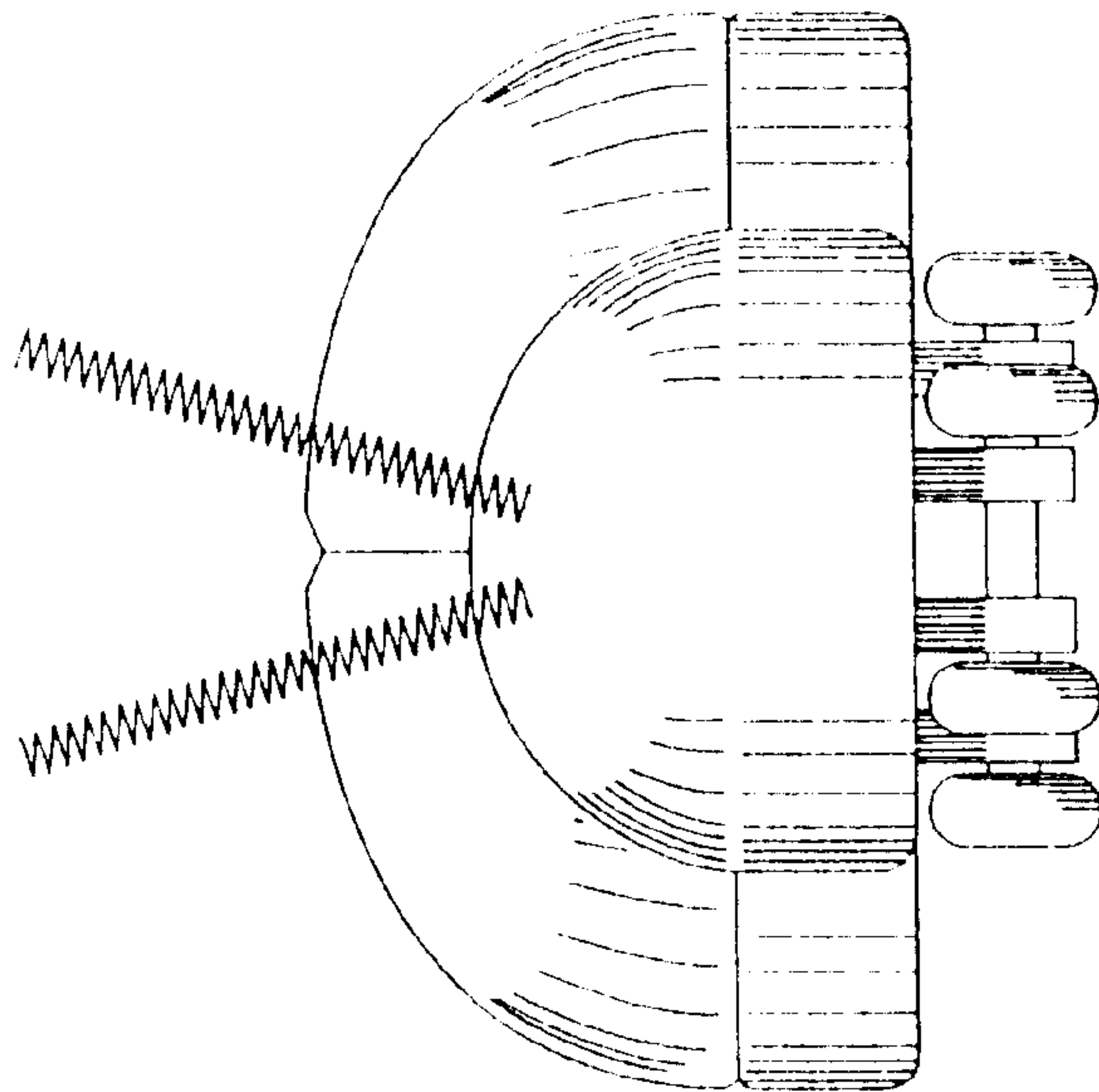


FIG. 3

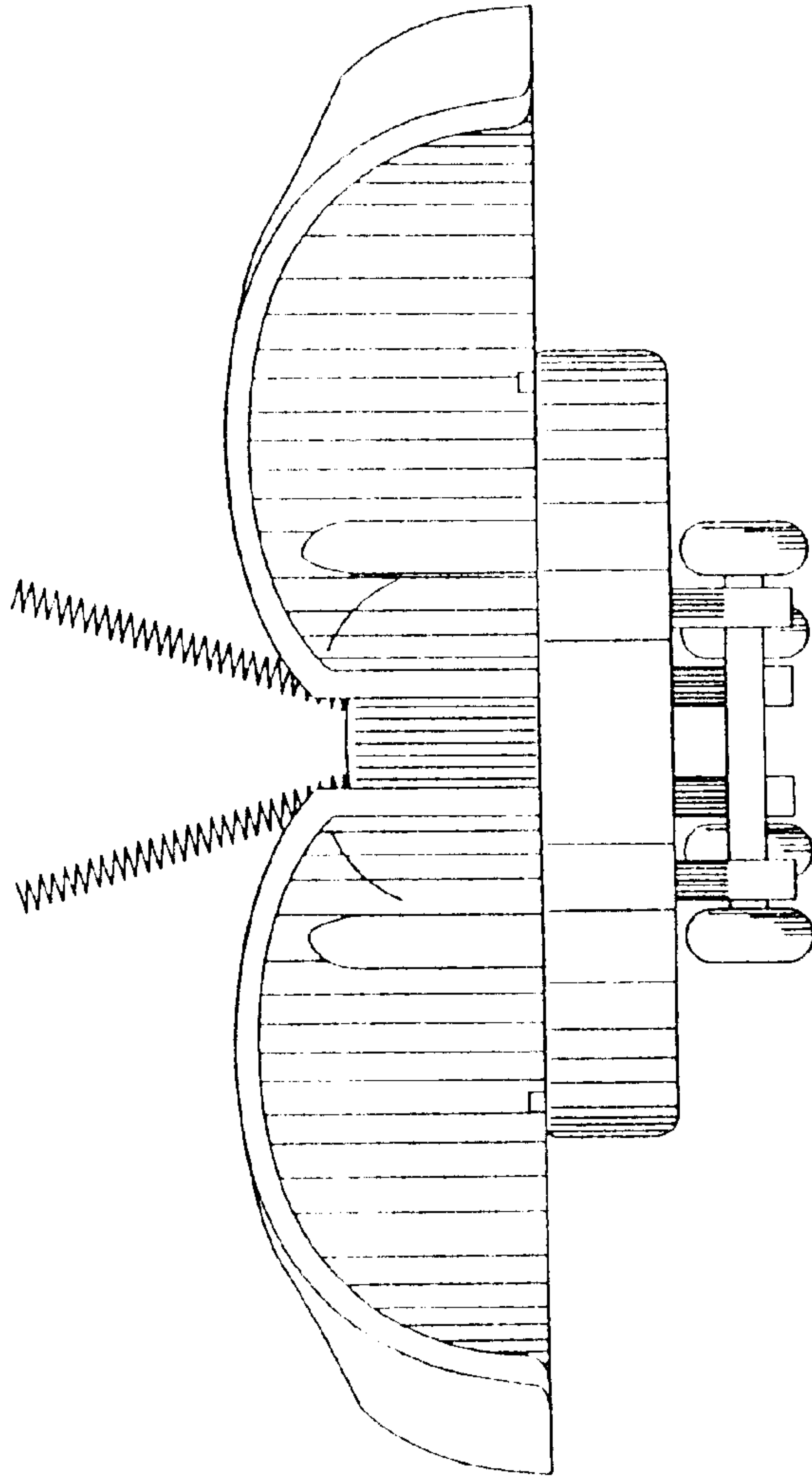


FIG. 6

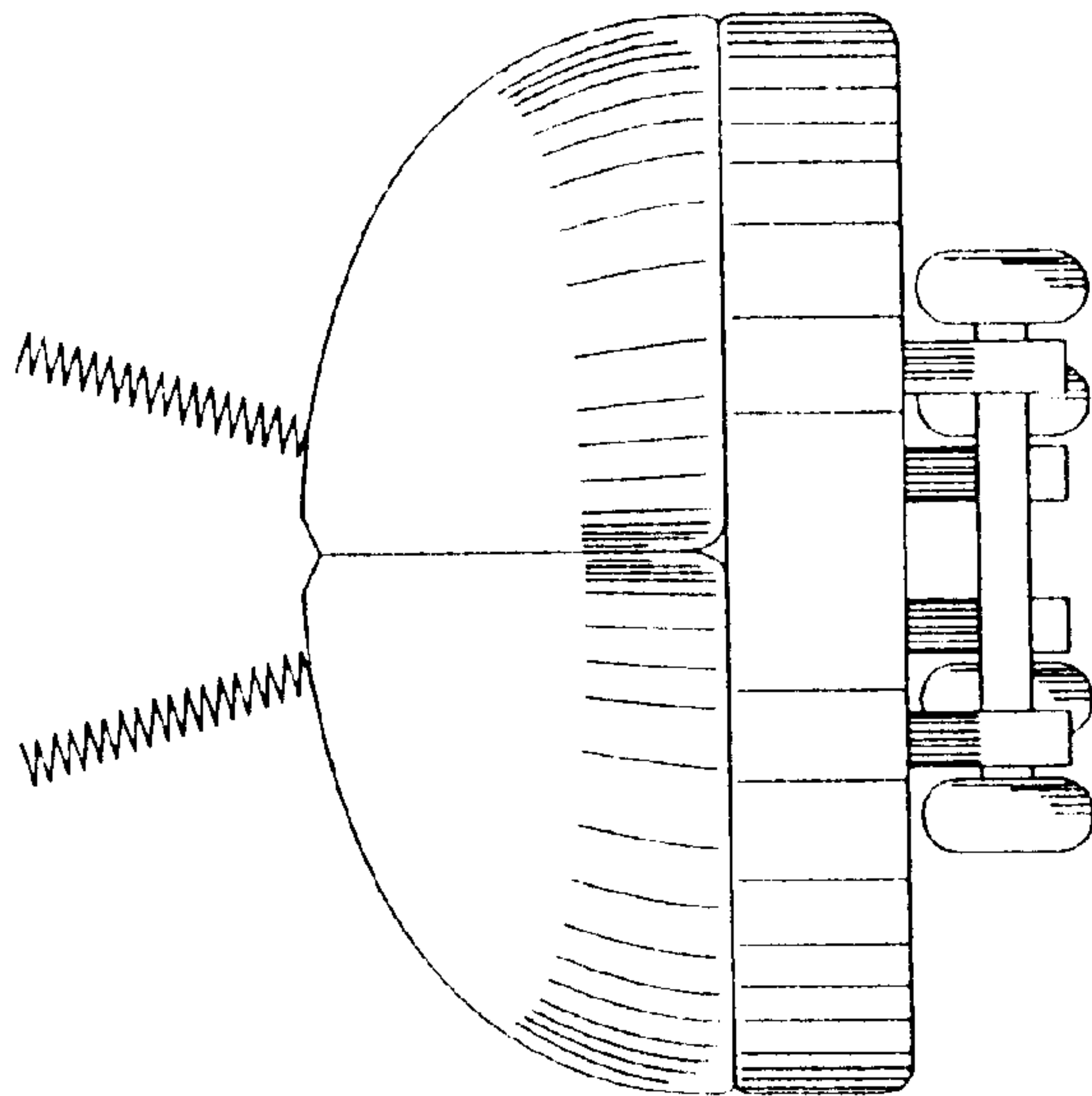


FIG. 5

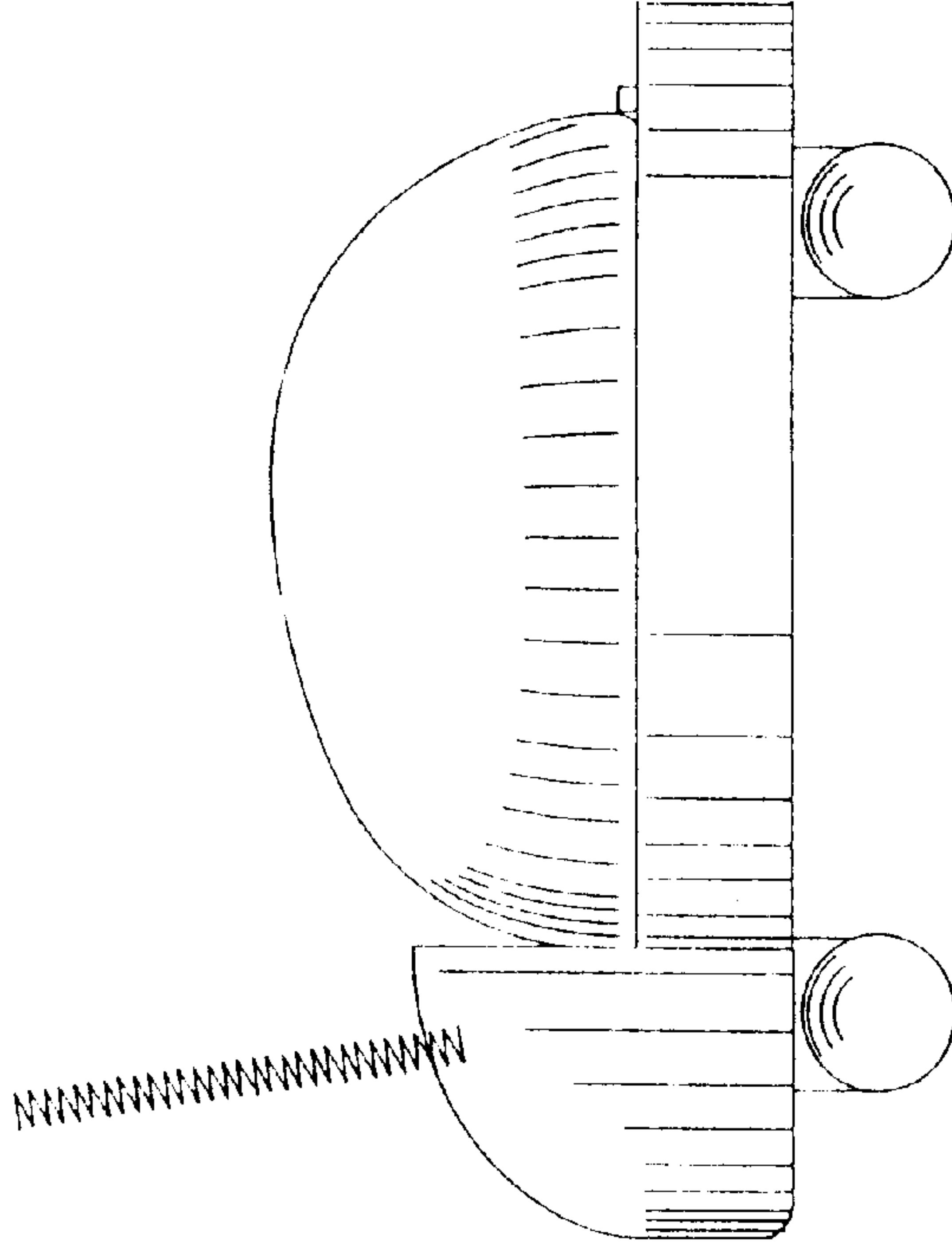


FIG. 8

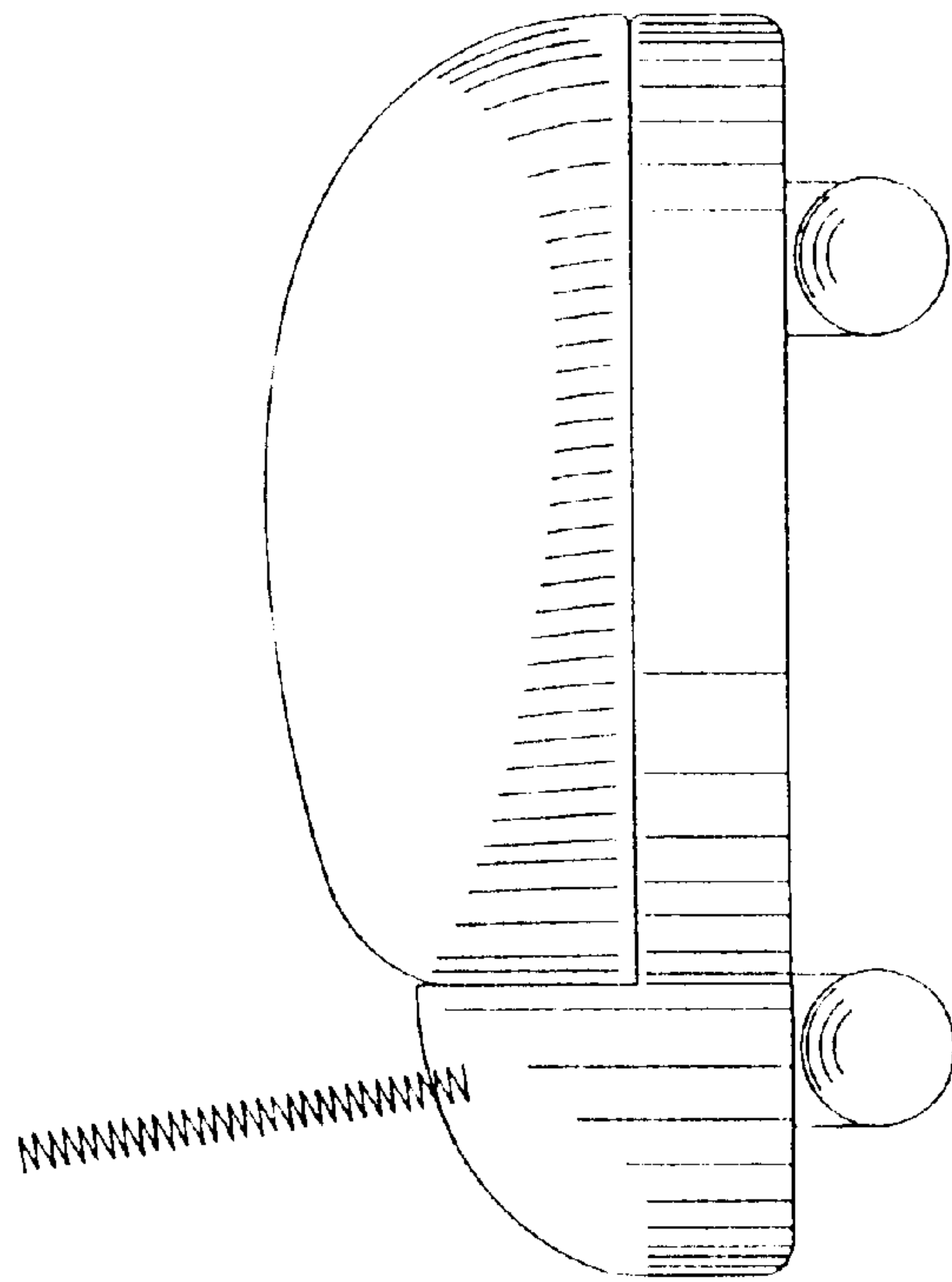


FIG. 7

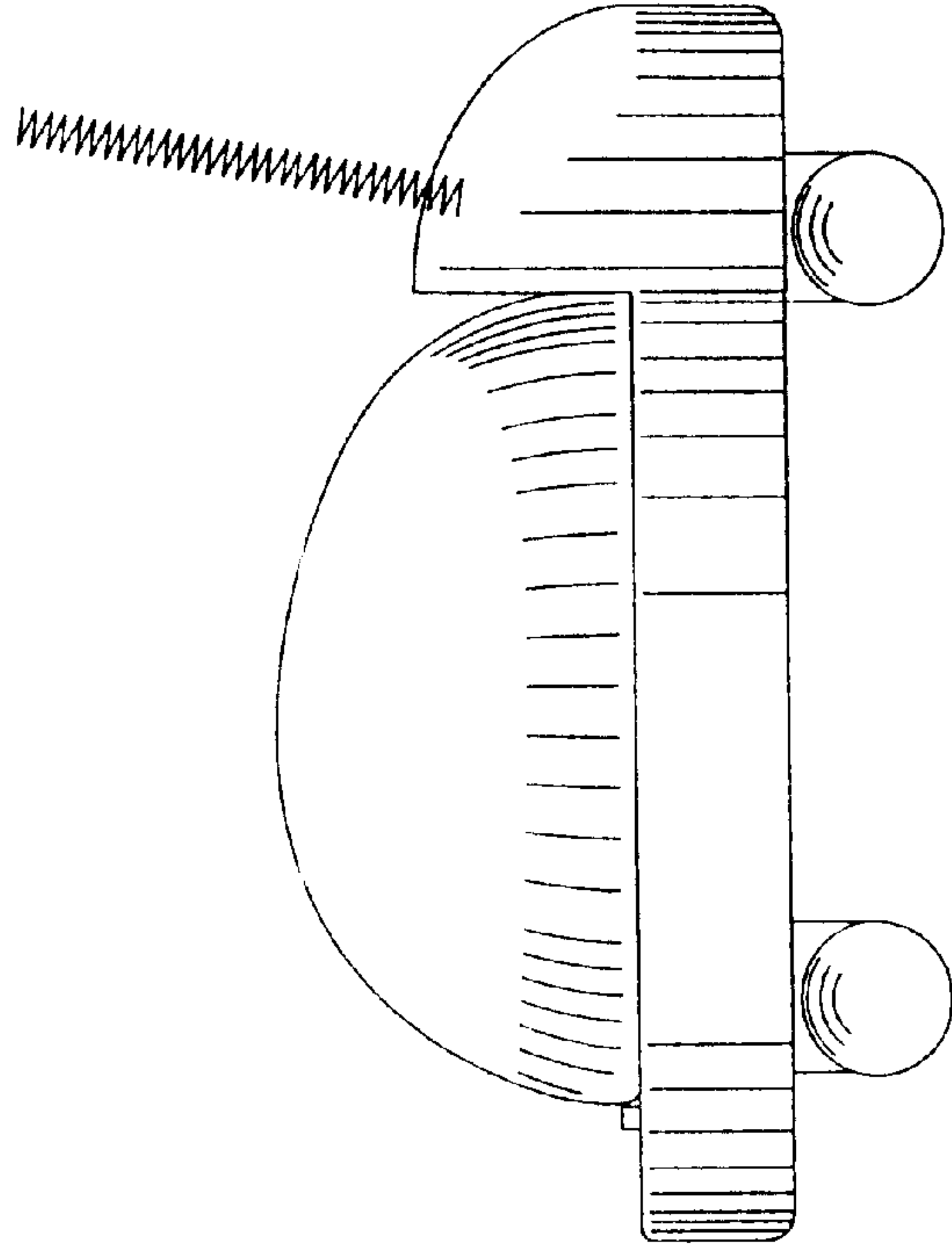


FIG. 10

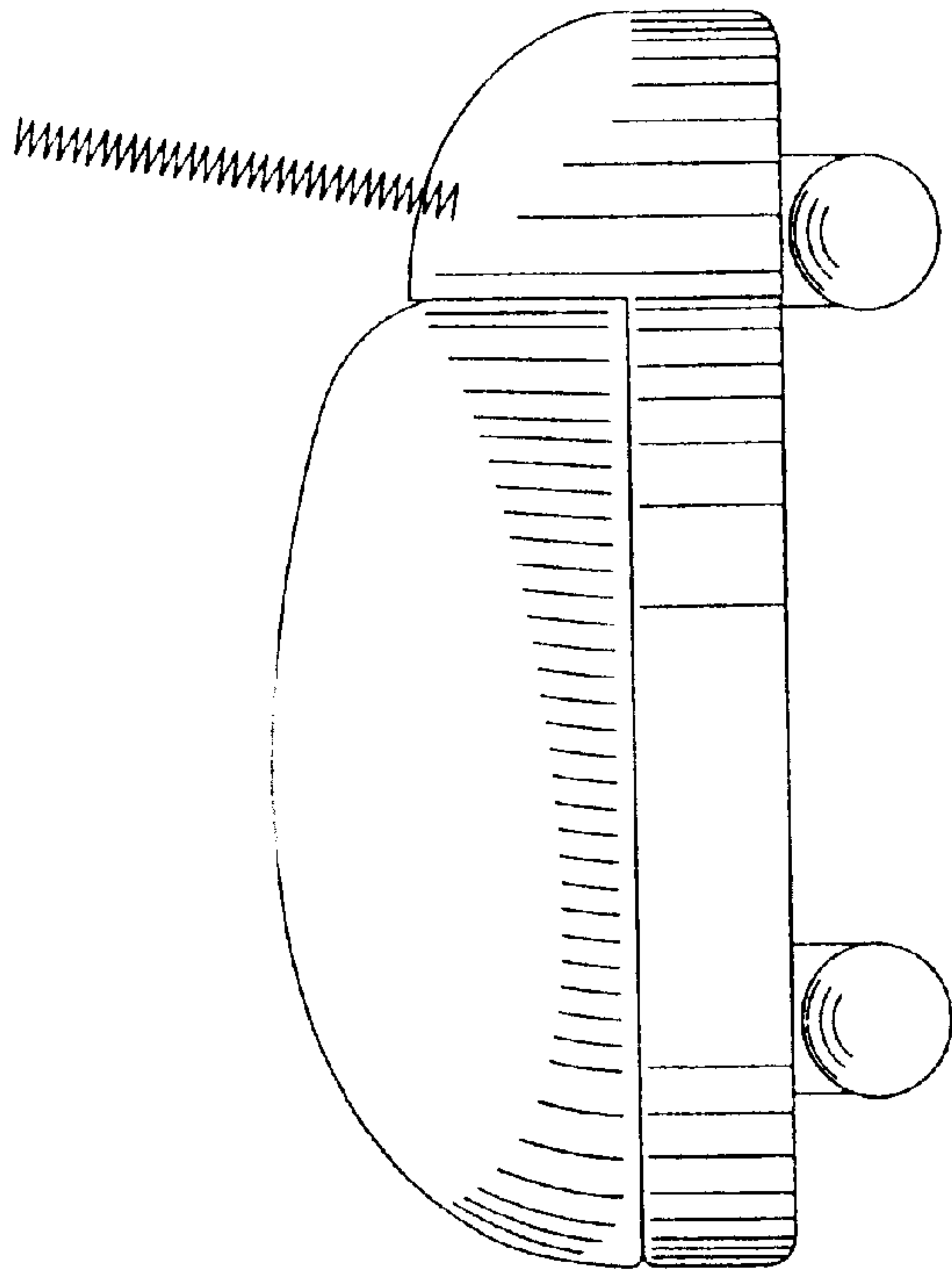


FIG. 9

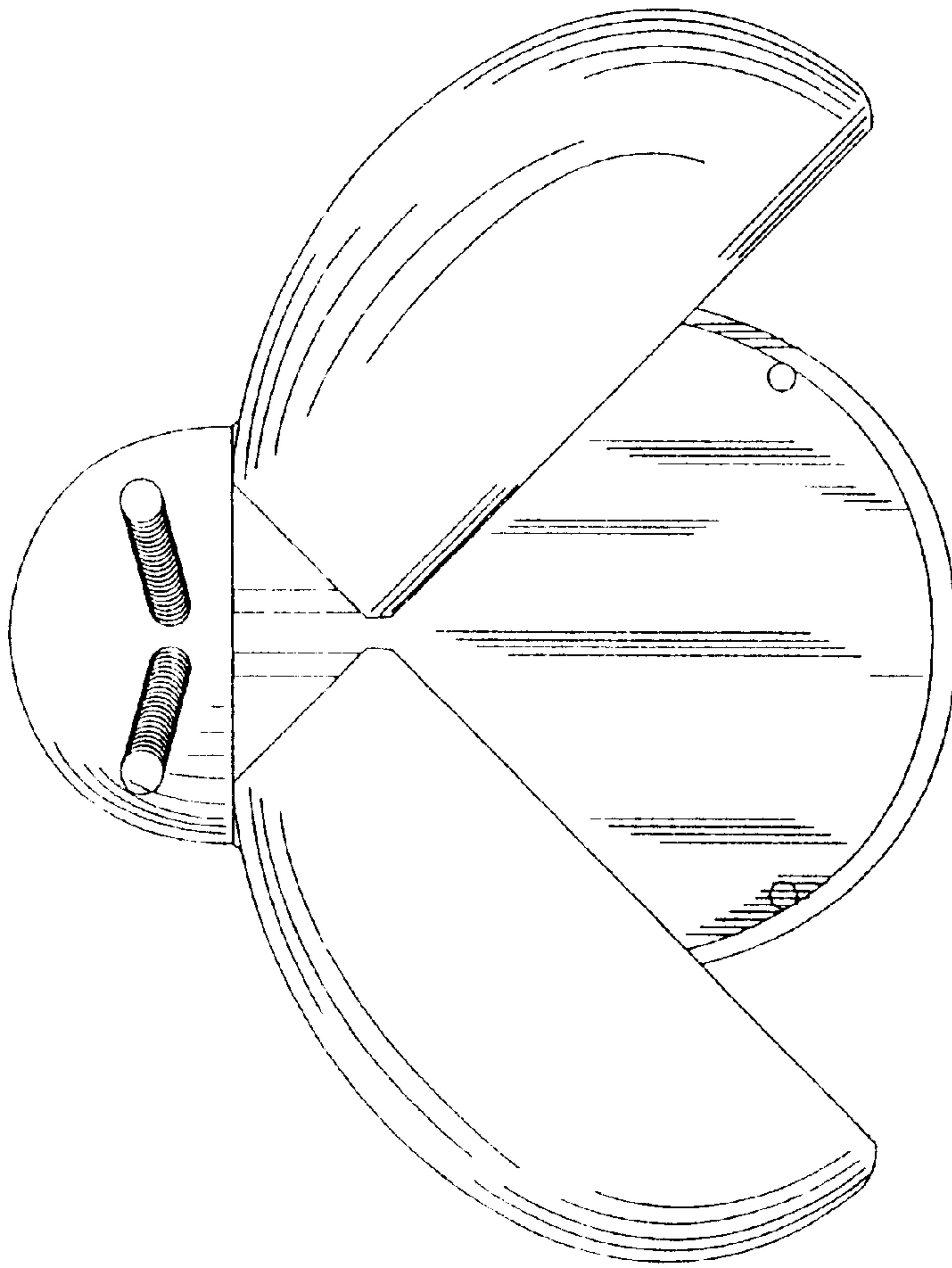


FIG. 11

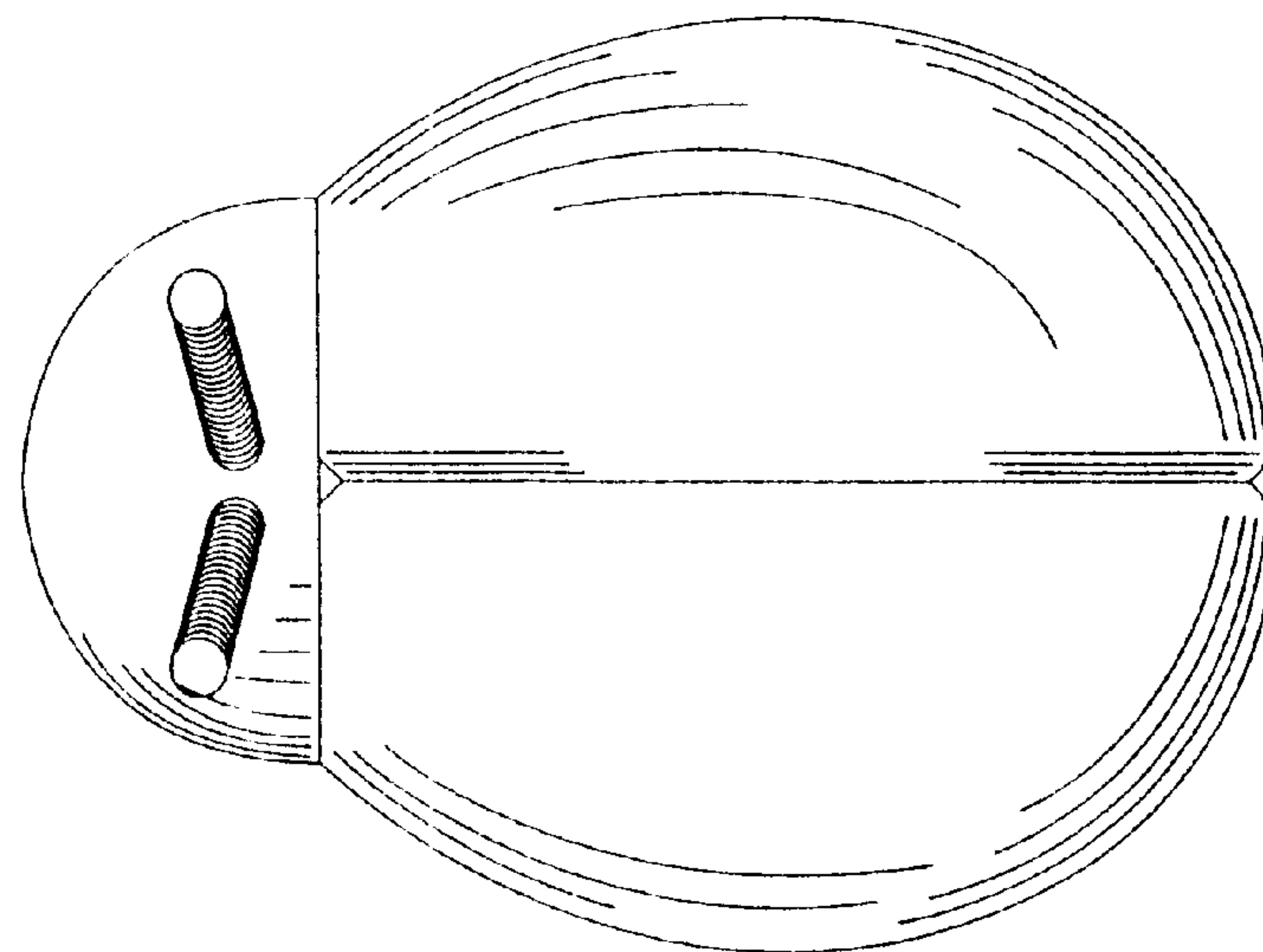


FIG. 12

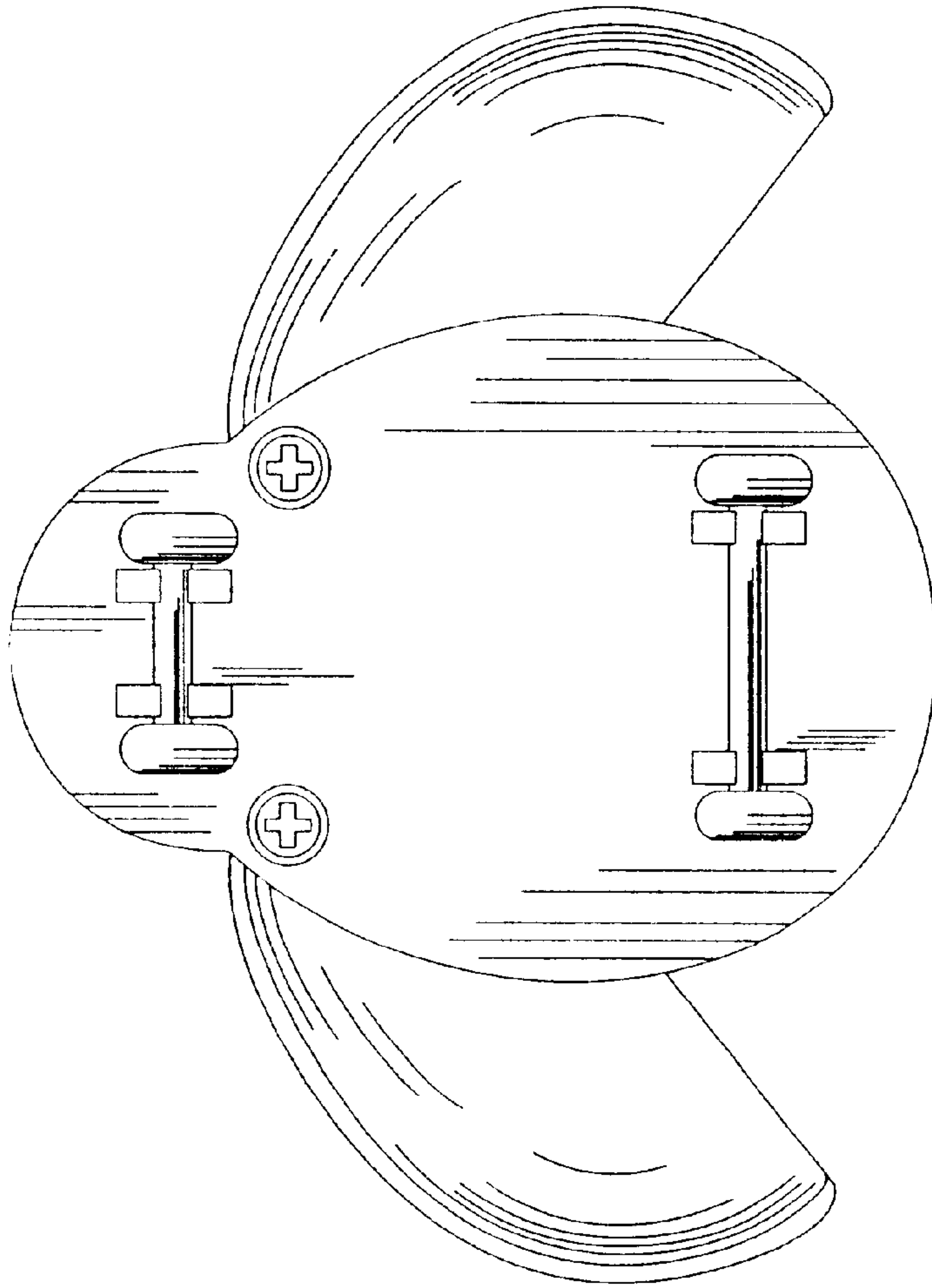


FIG. 14

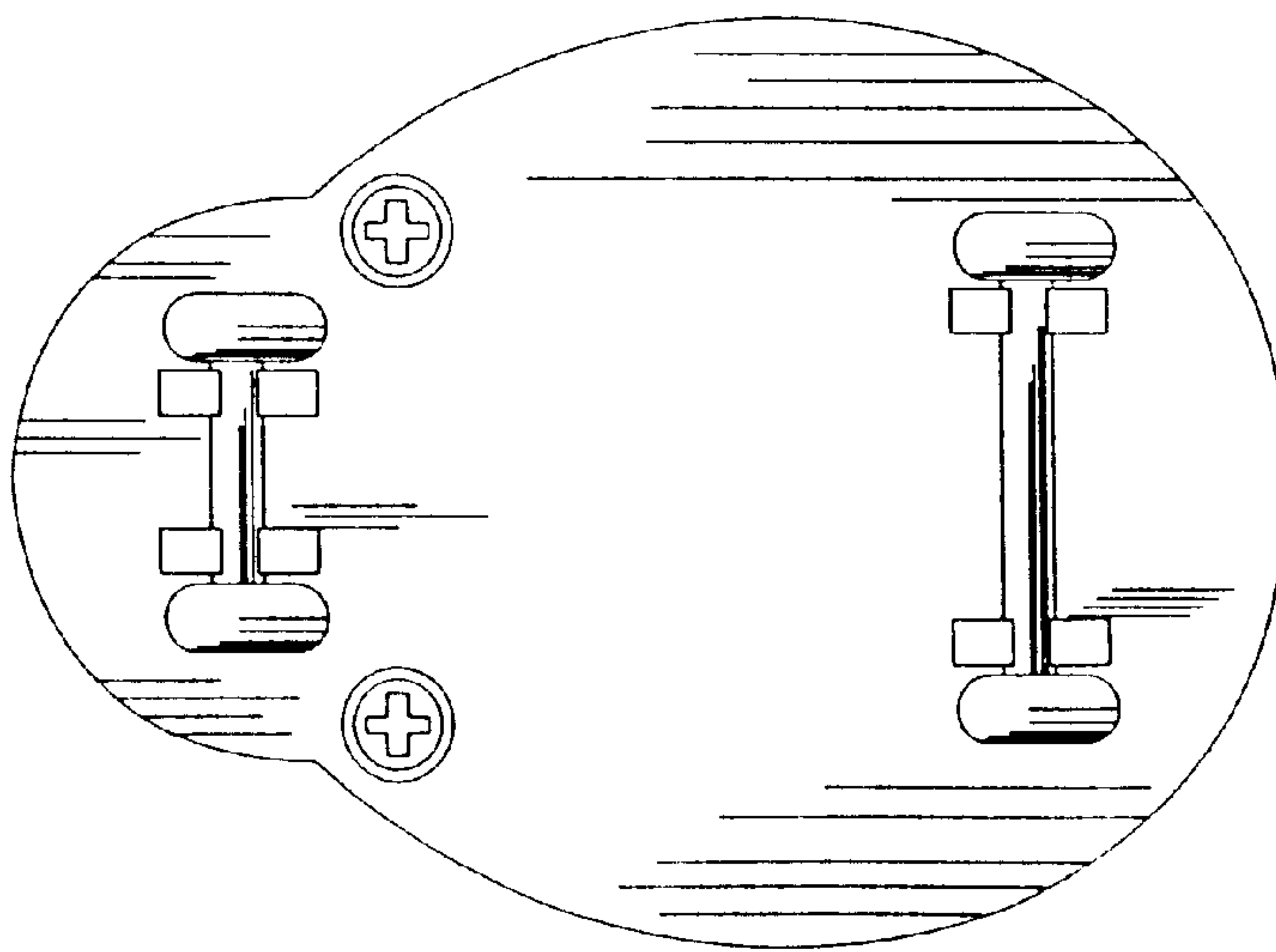


FIG. 13

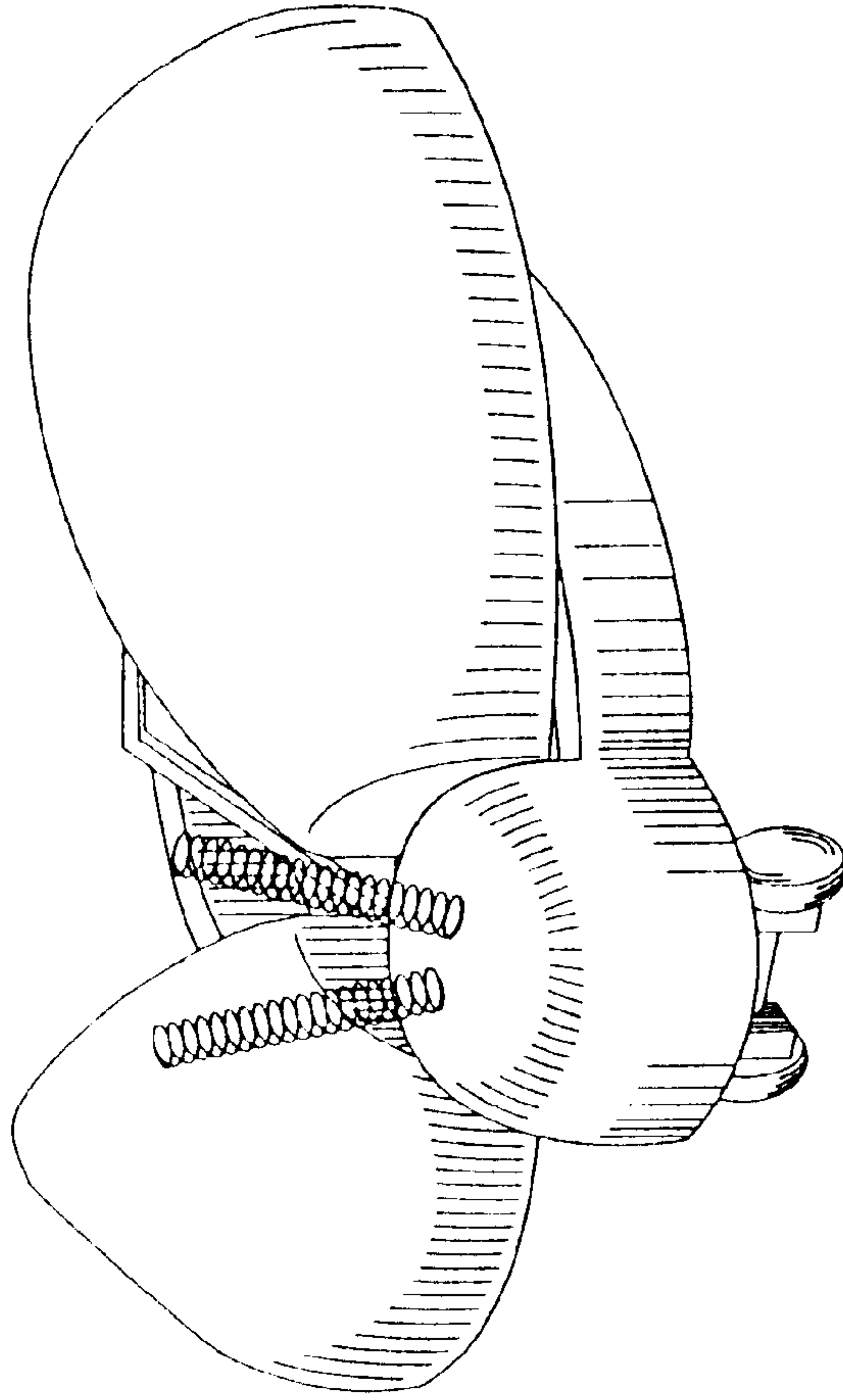


FIG. 16

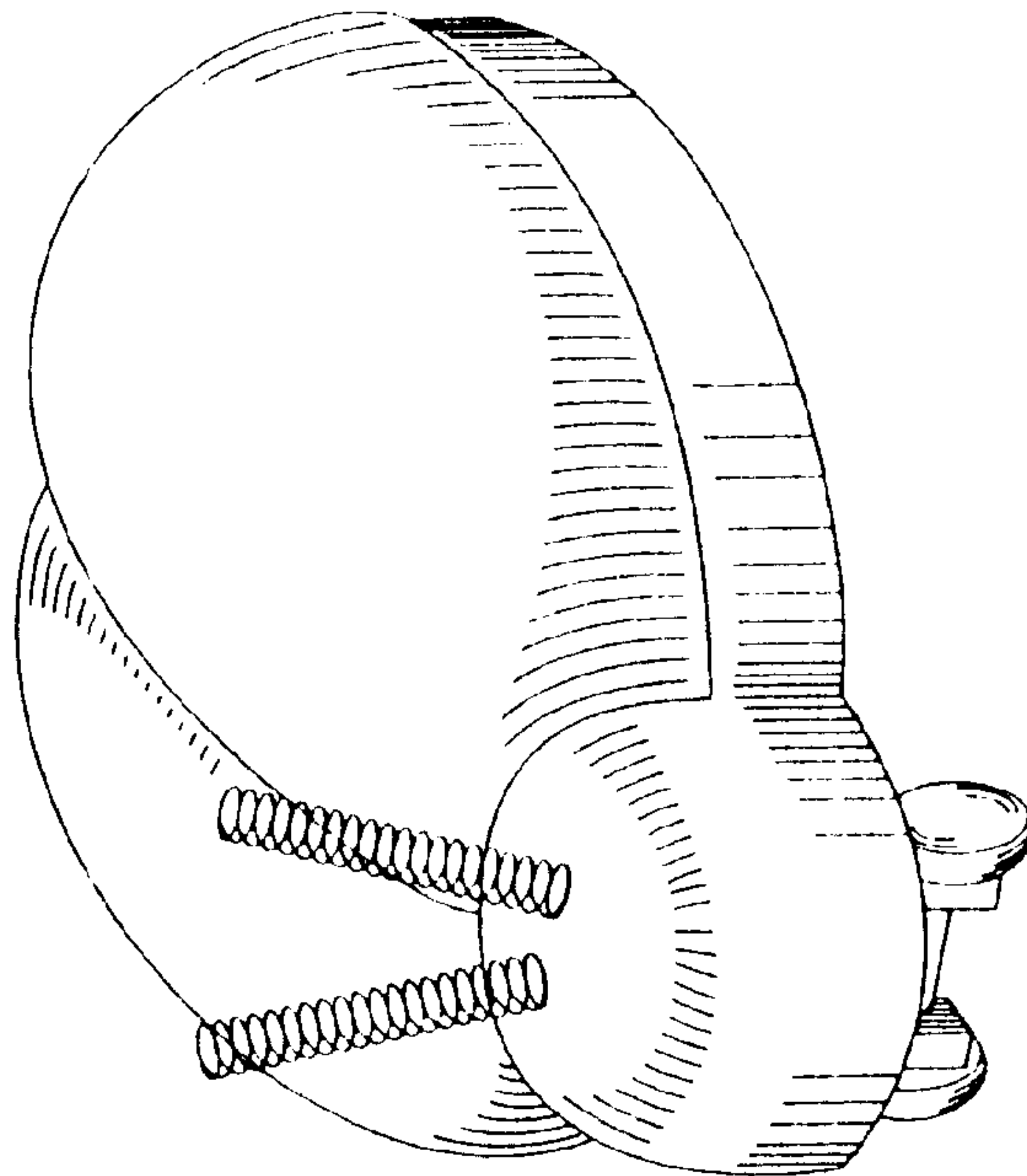


FIG. 15

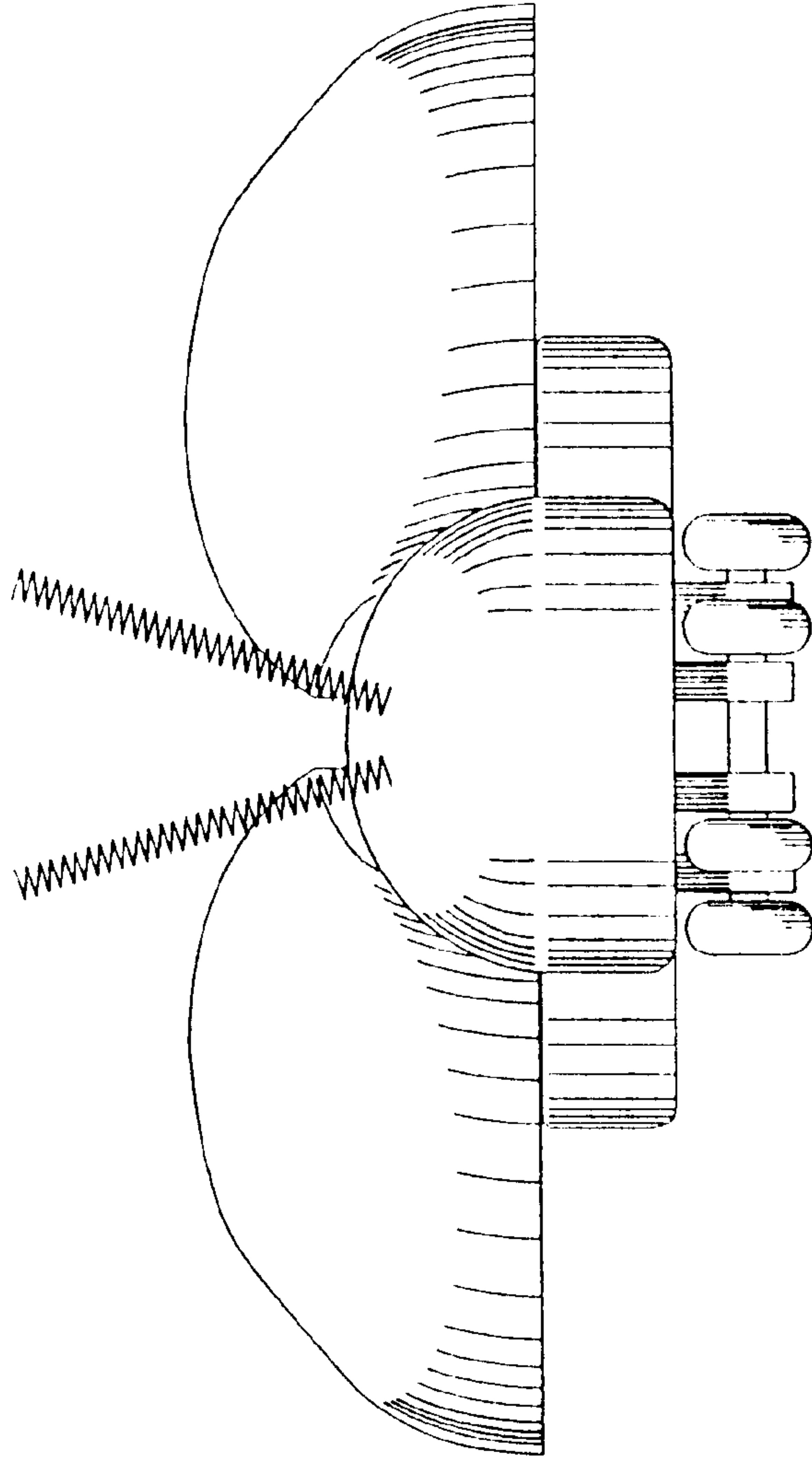


FIG. 18

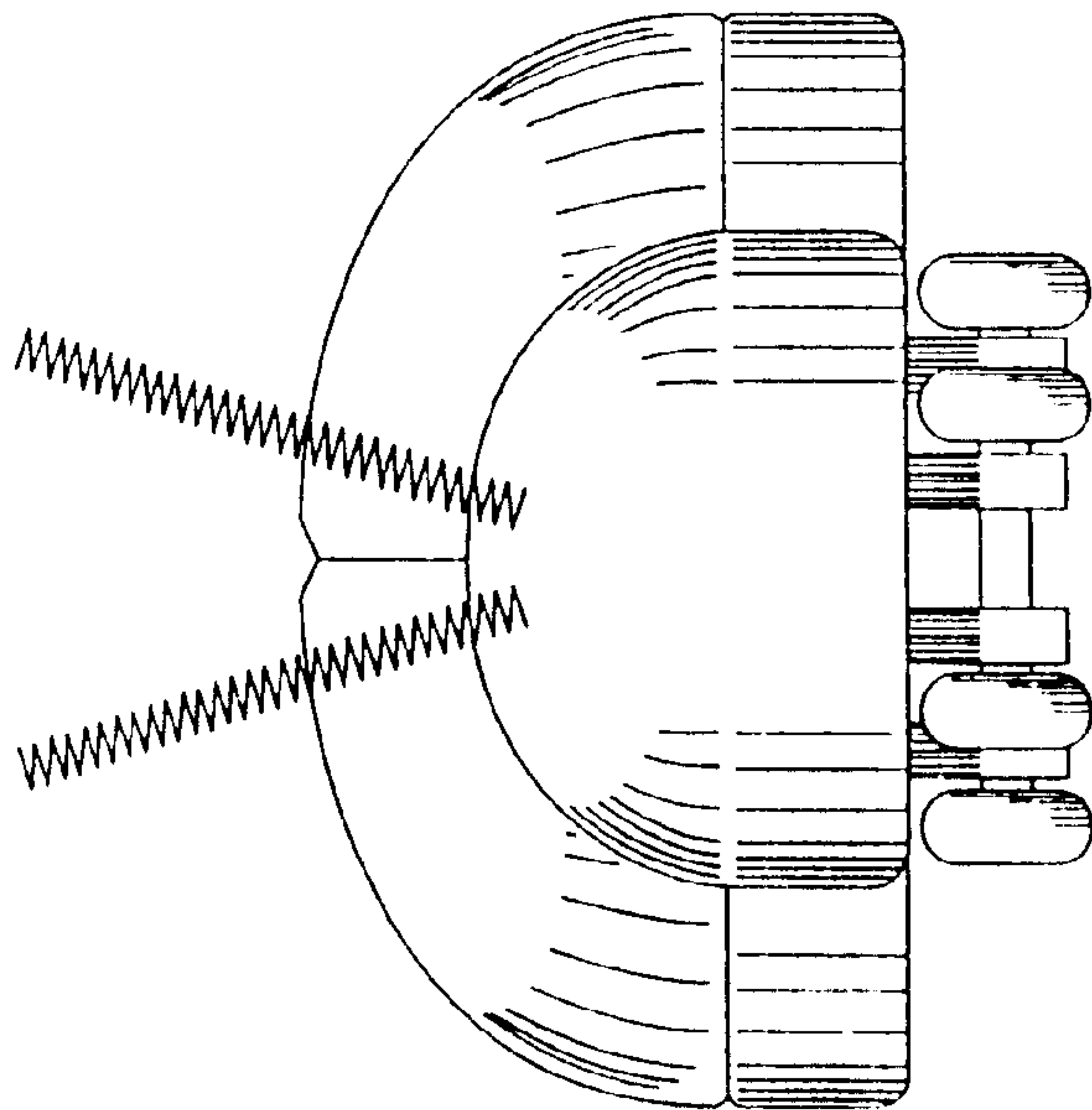


FIG. 17

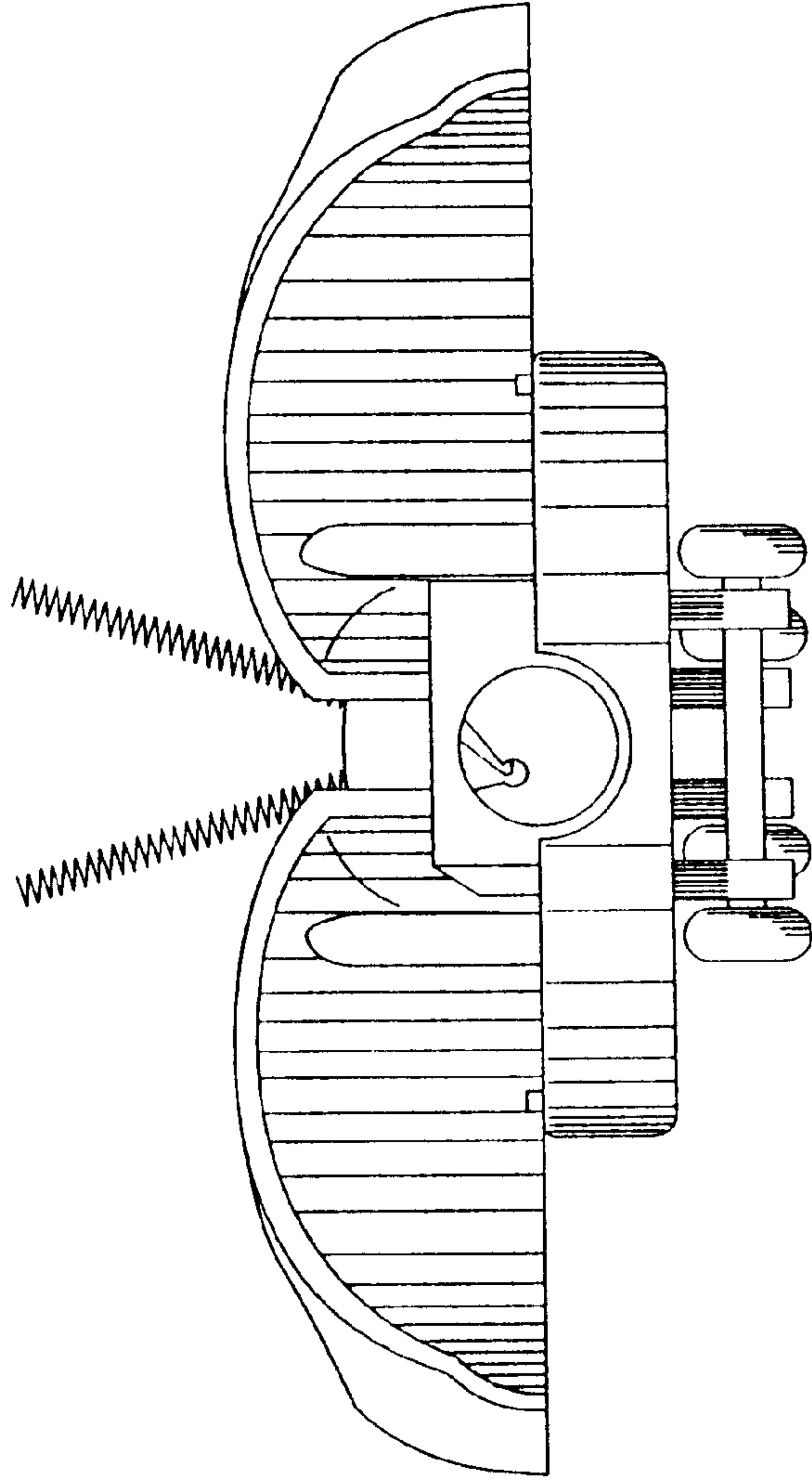


FIG. 20

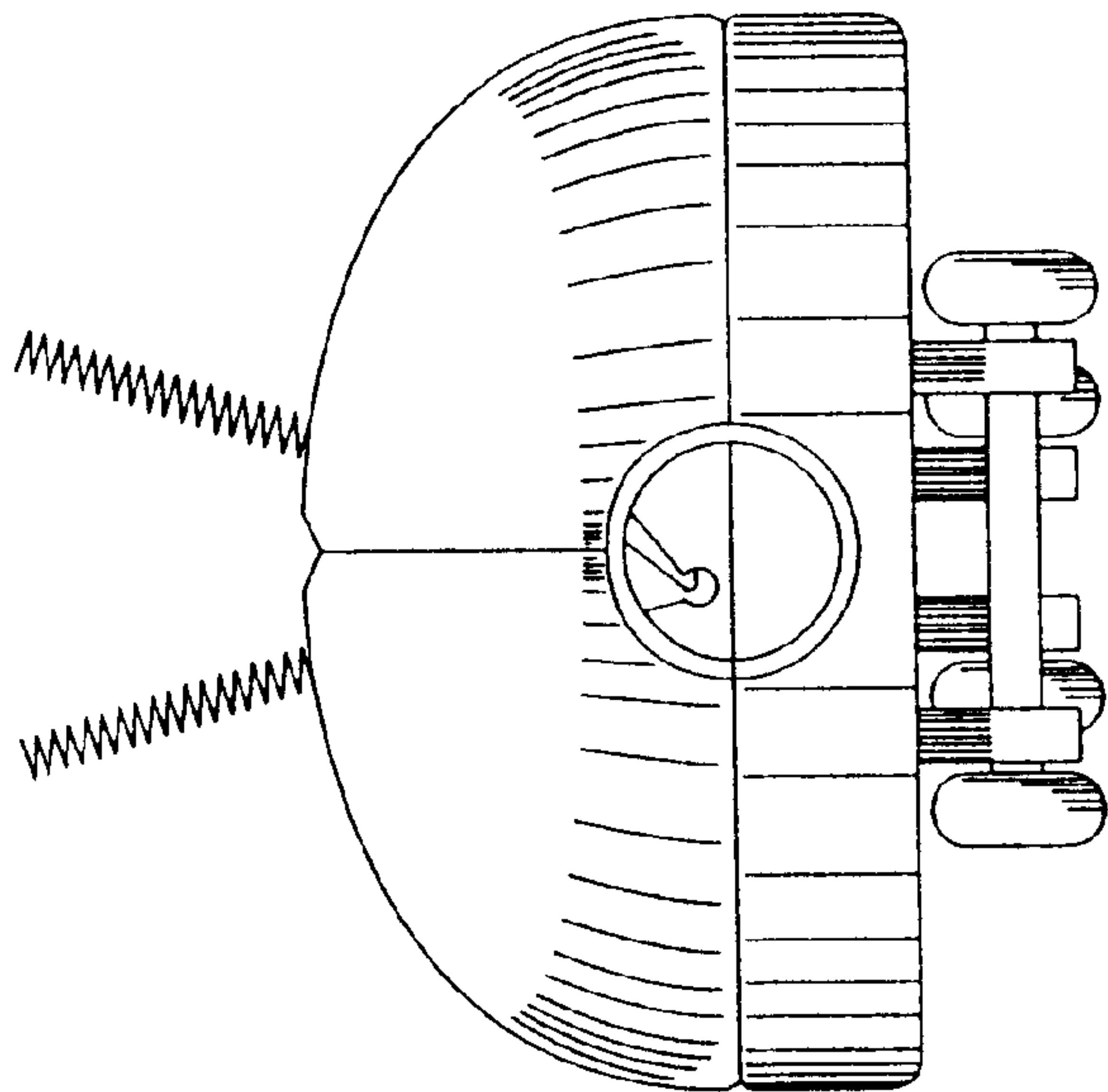


FIG. 19

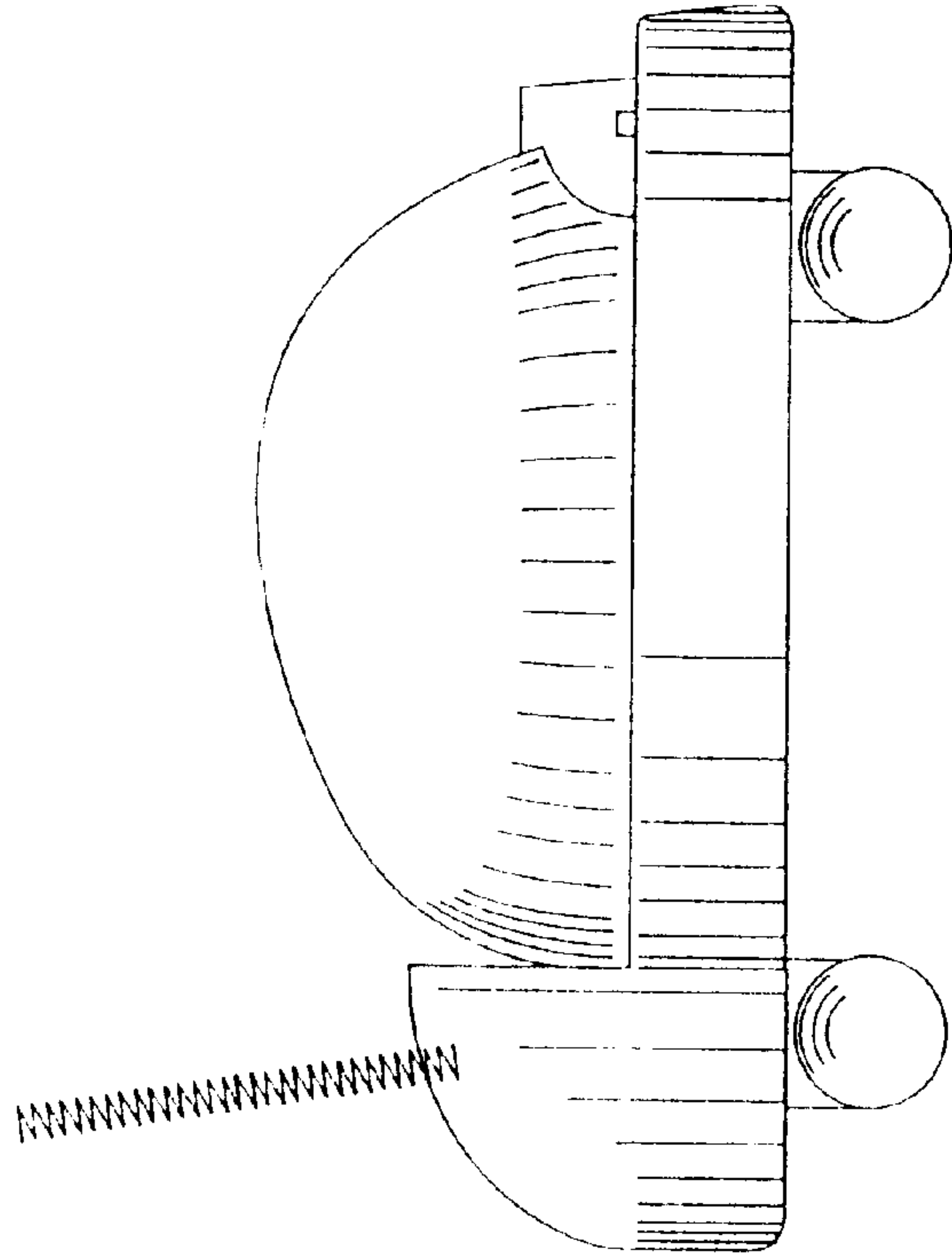


FIG. 22

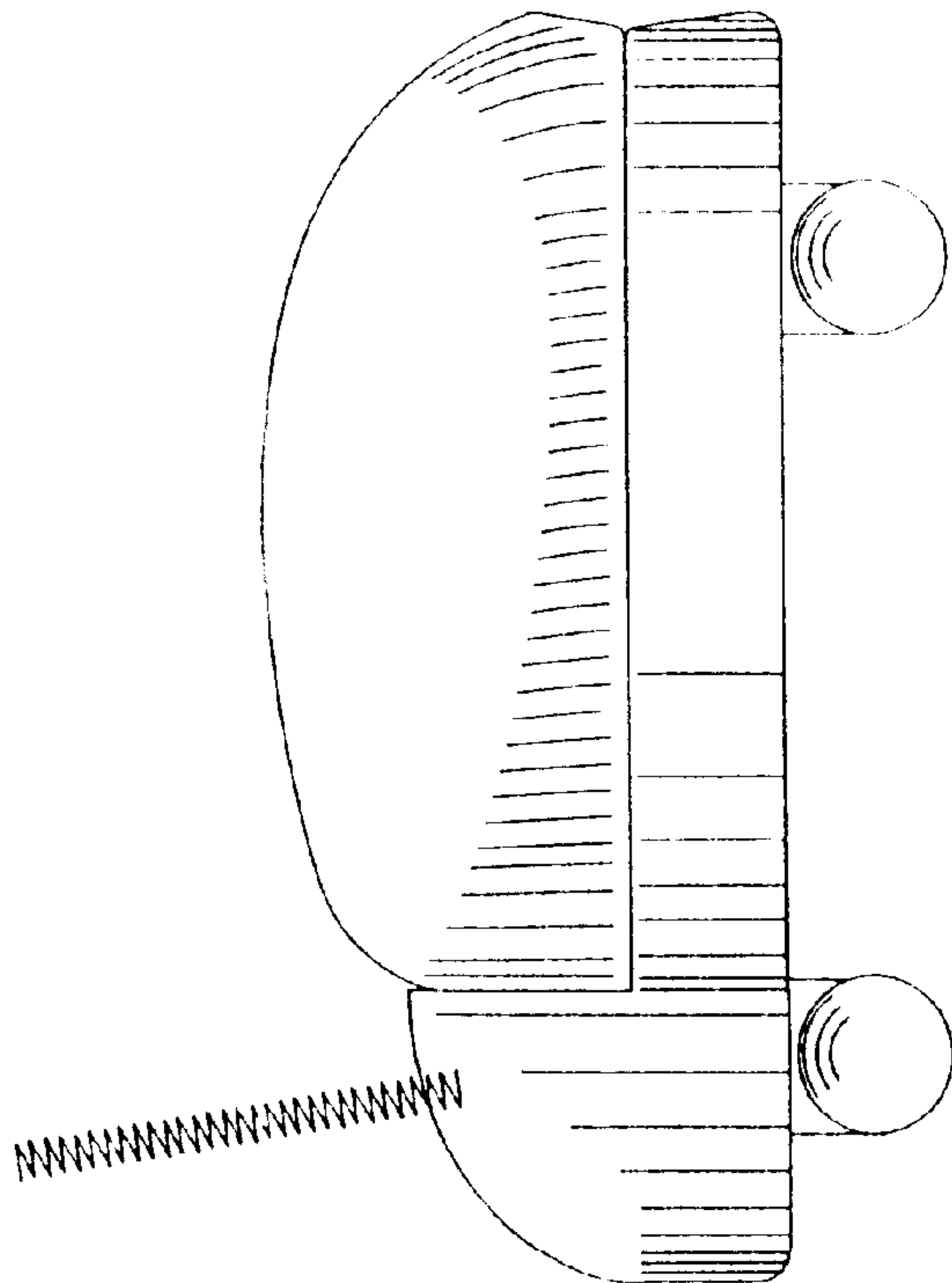


FIG. 21

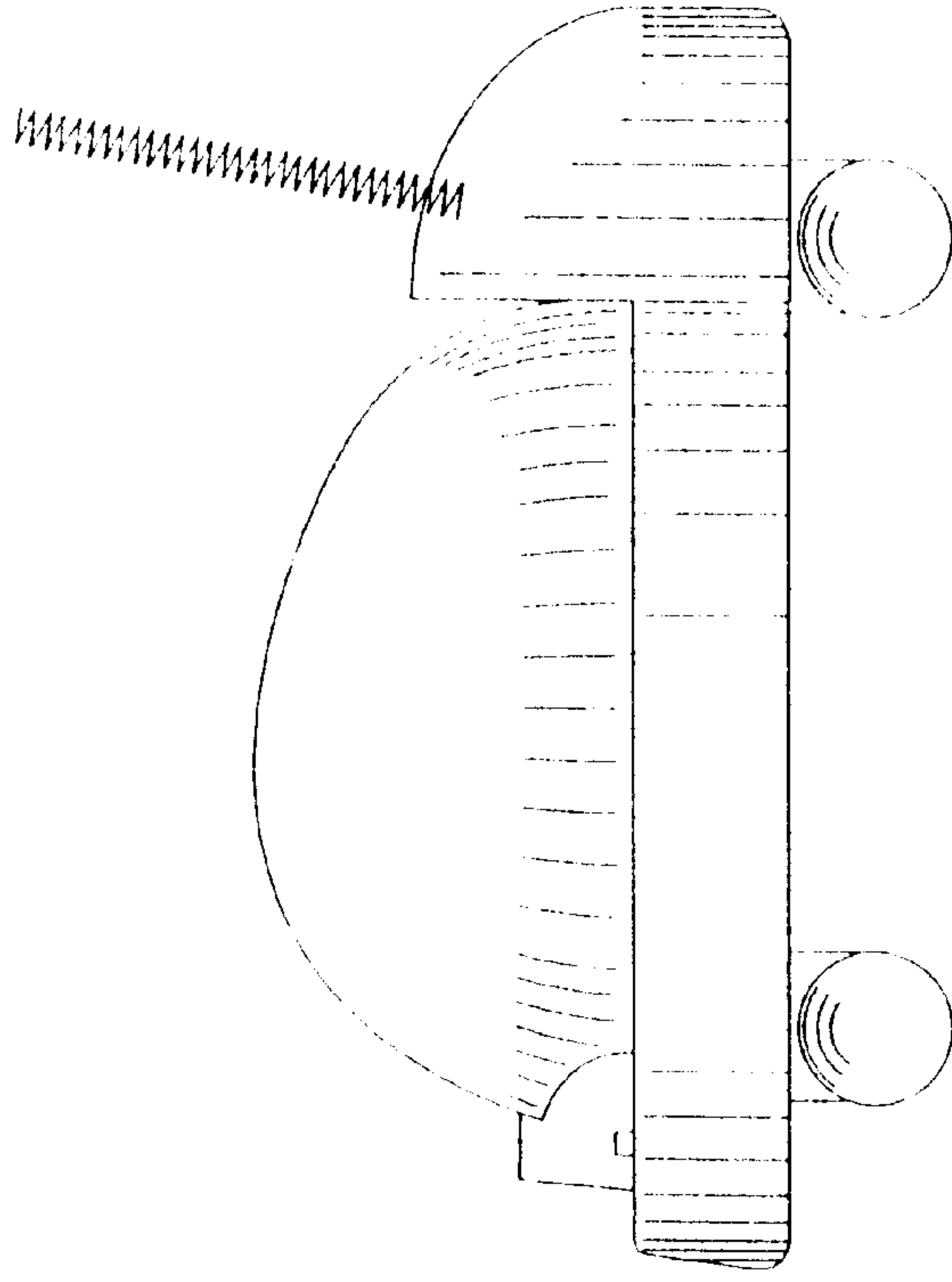


FIG. 24

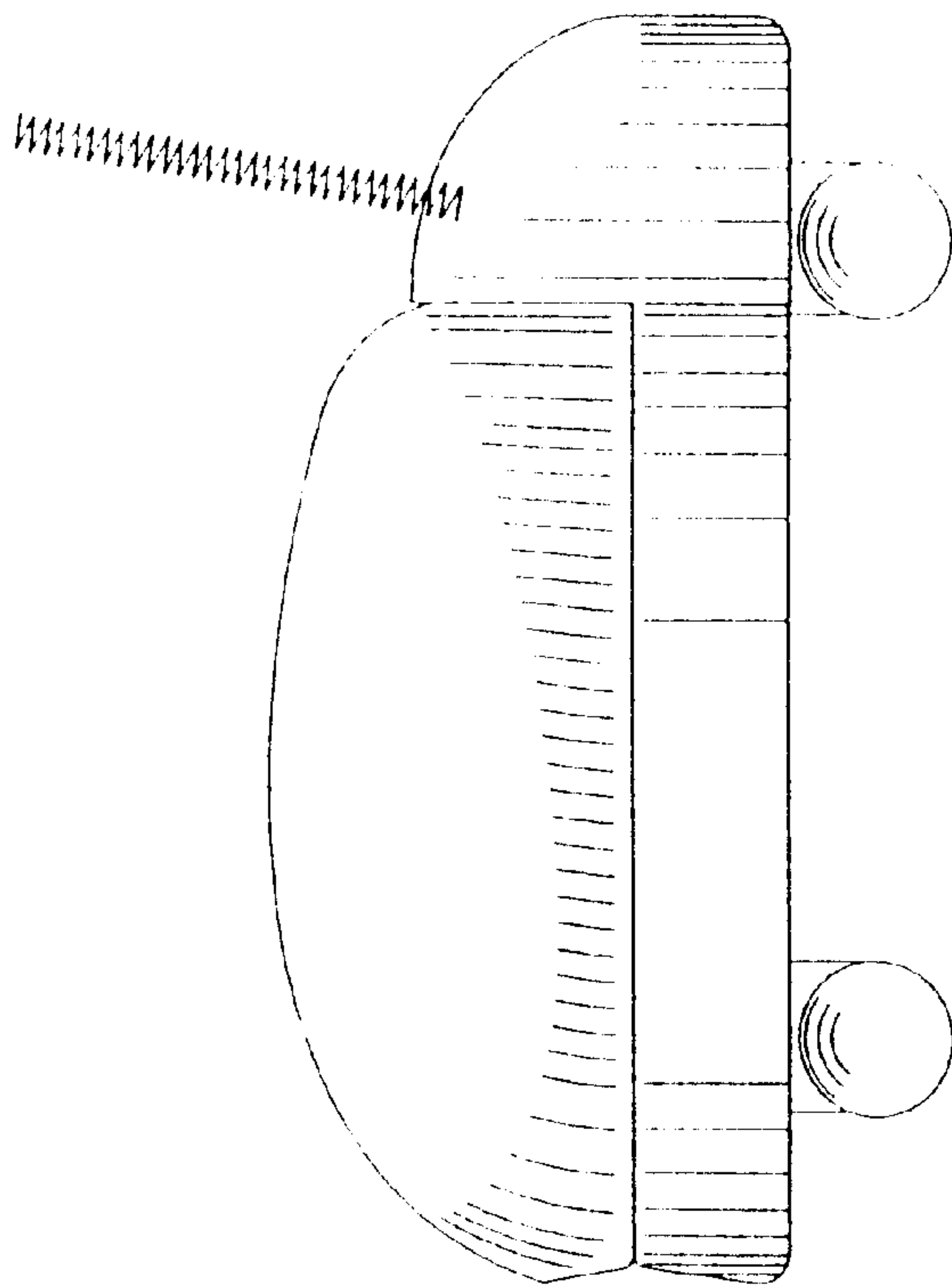


FIG. 23

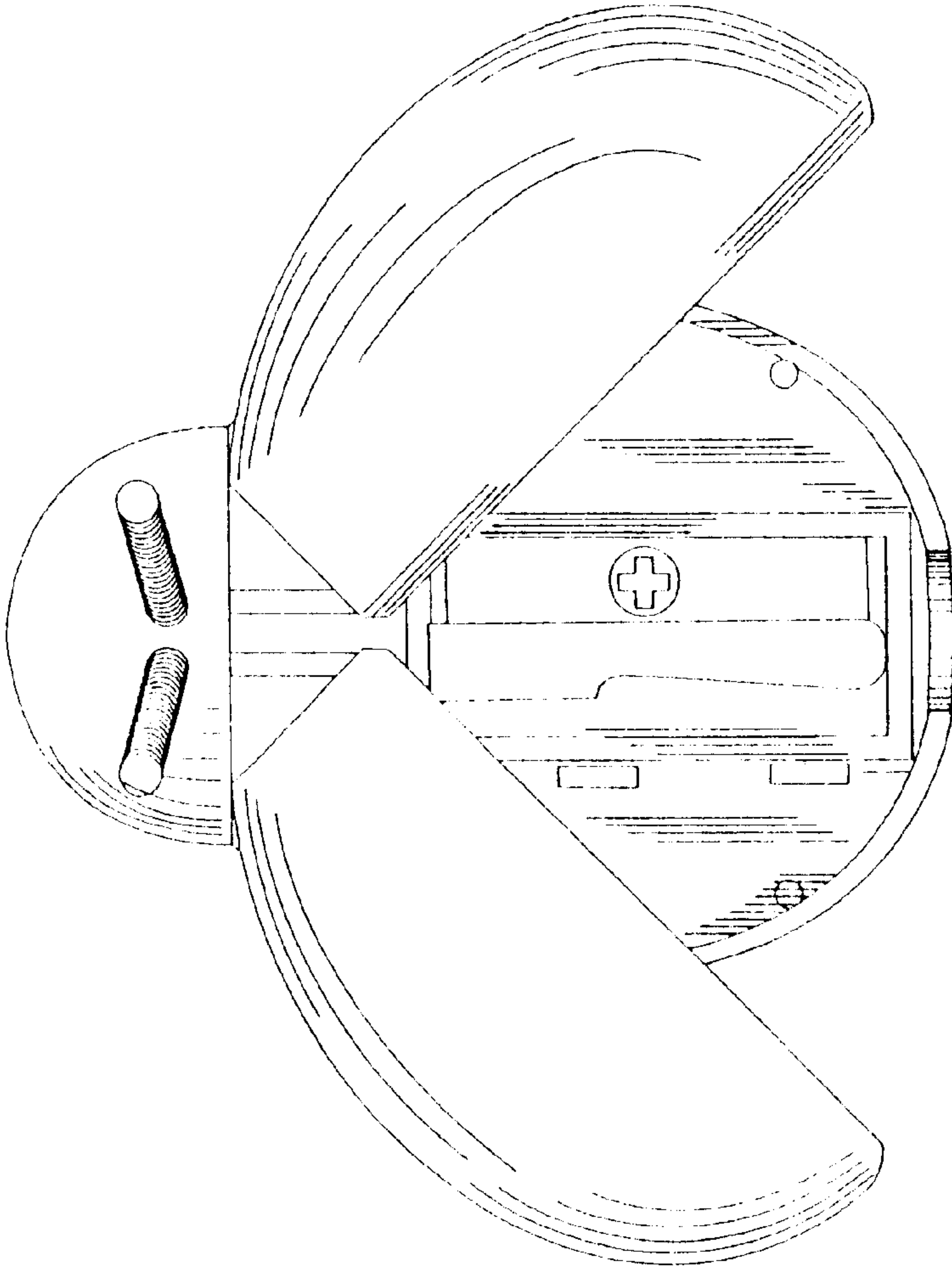


FIG. 25

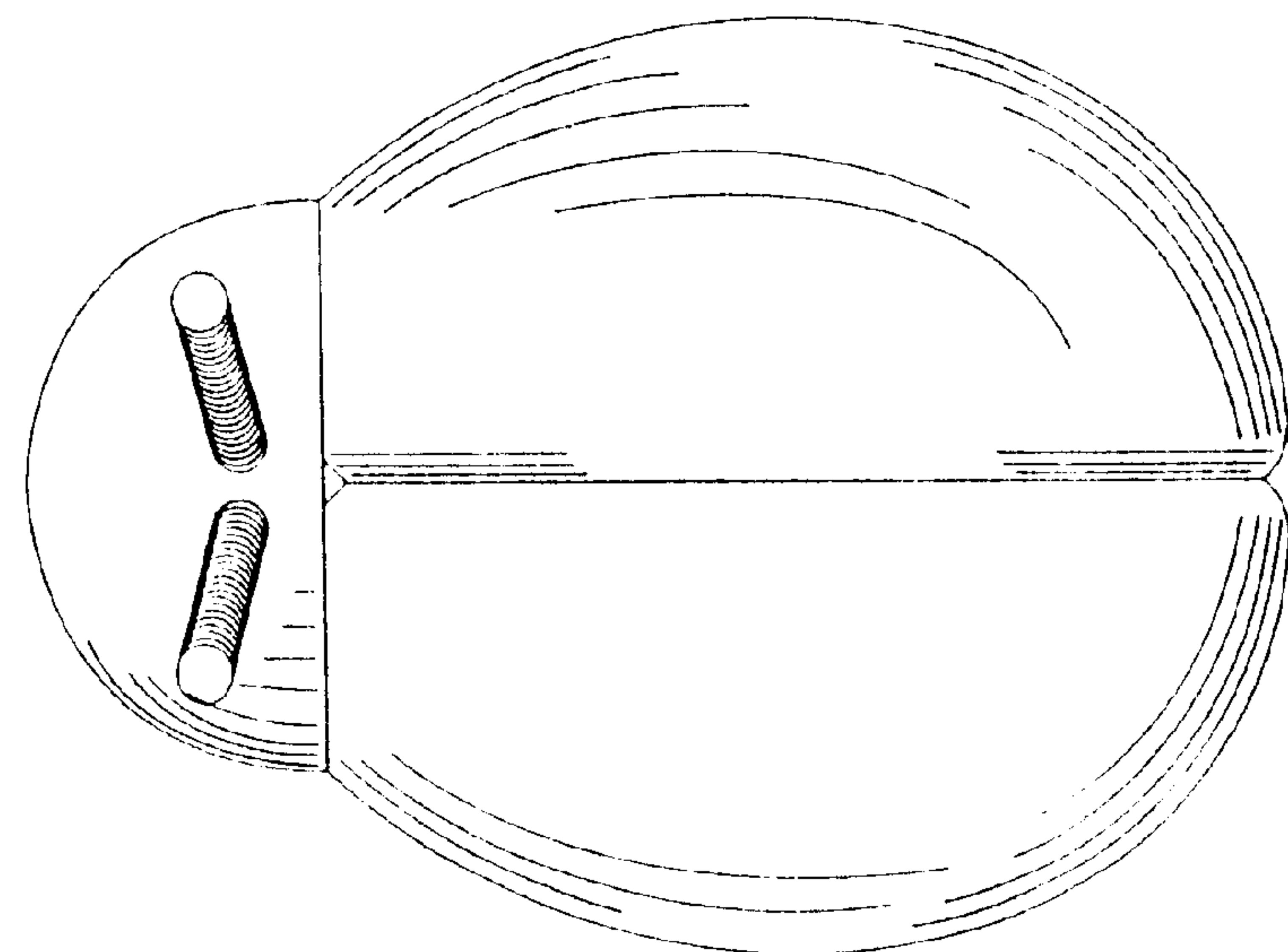


FIG. 26

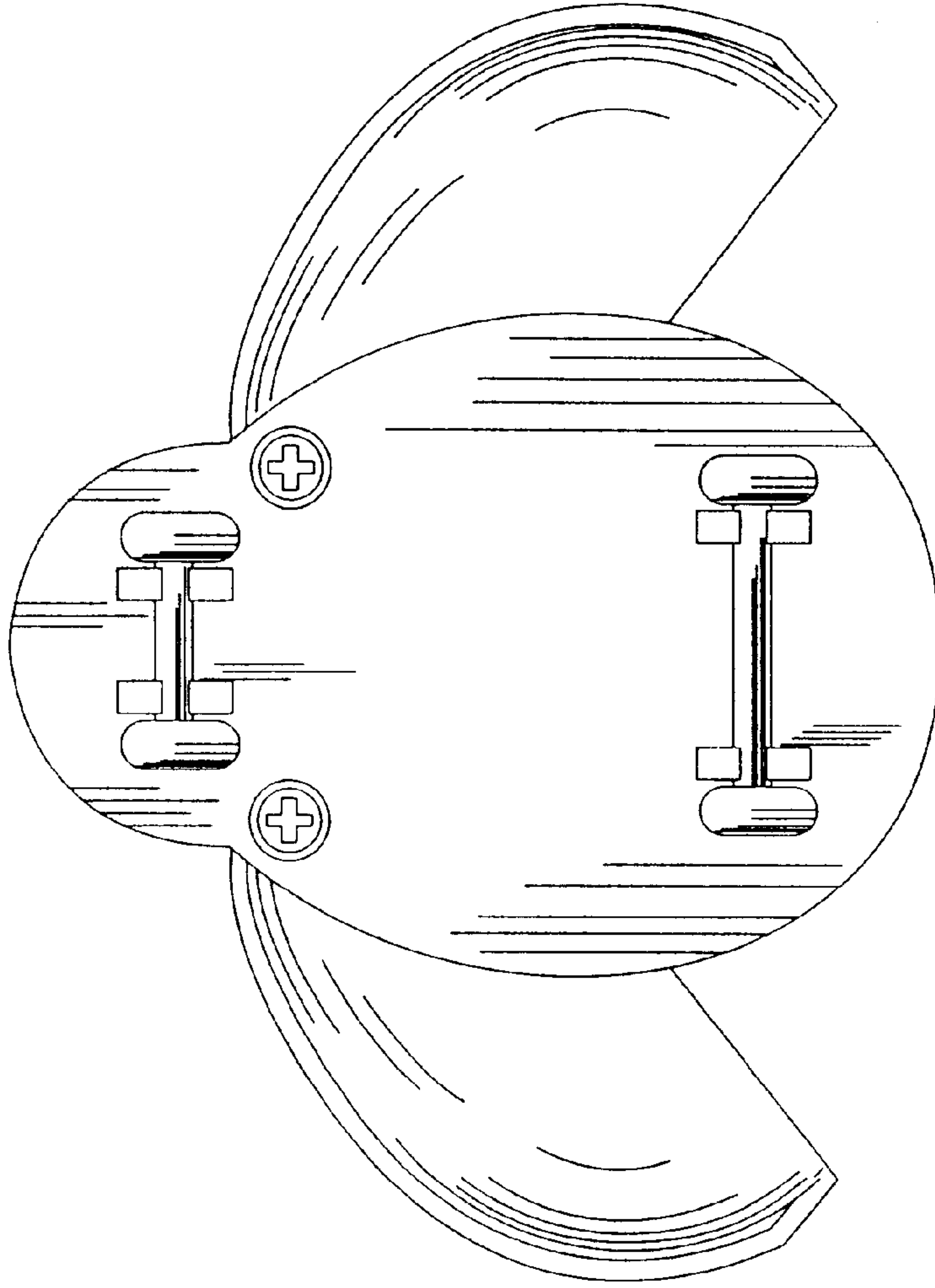


FIG. 28

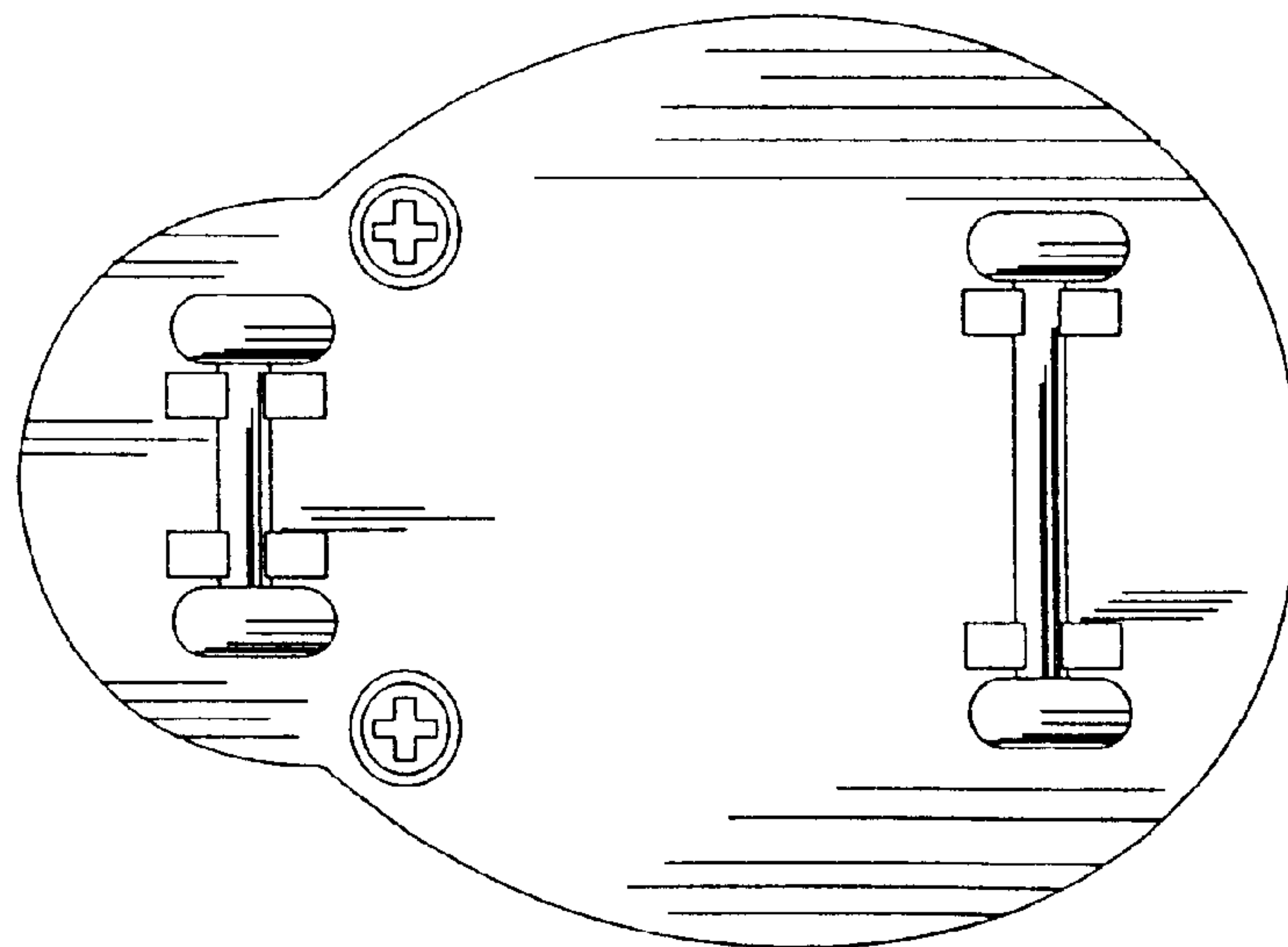


FIG. 27