



US00D416040S

United States Patent [19]

Kasom et al.

[11] **Patent Number: Des. 416,040**

[45] **Date of Patent: ** Nov. 2, 1999**

[54] **CARTRIDGE FOR PRINT RIBBON**

D. 355,671 2/1995 Onumata D18/12 X

[75] Inventors: **Wayne Kasom**, San Francisco, Calif.;
Christopher S. Cosentino, Staten
Island, N.Y.

Primary Examiner—Caron D. Veynar
Attorney, Agent, or Firm—Limbach & Limbach L.L.P.

[73] Assignee: **Powis-Parker, Inc.**, Berkeley, Calif.

[57] **CLAIM**

[**] Term: **14 Years**

The ornamental design for a cartridge for print ribbon, as shown and described.

[21] Appl. No.: **29/077,921**

DESCRIPTION

[22] Filed: **Oct. 14, 1997**

FIG. 1 is a perspective view of the cartridge for print ribbon; FIG. 2 is a top plan view of the cartridge for print ribbon; FIG. 3 is a front elevational view of the cartridge for print ribbon; FIG. 4 is a rear elevational view of the cartridge for print ribbon; FIG. 5 is a bottom plan view of the cartridge for print ribbon; FIG. 6 is an elevational view of a first end of the cartridge for print ribbon; and, FIG. 7 is an elevational view of a second end of the cartridge for print ribbon.

[51] **LOC (6) Cl.** **18-01**

[52] **U.S. Cl.** **D18/12**

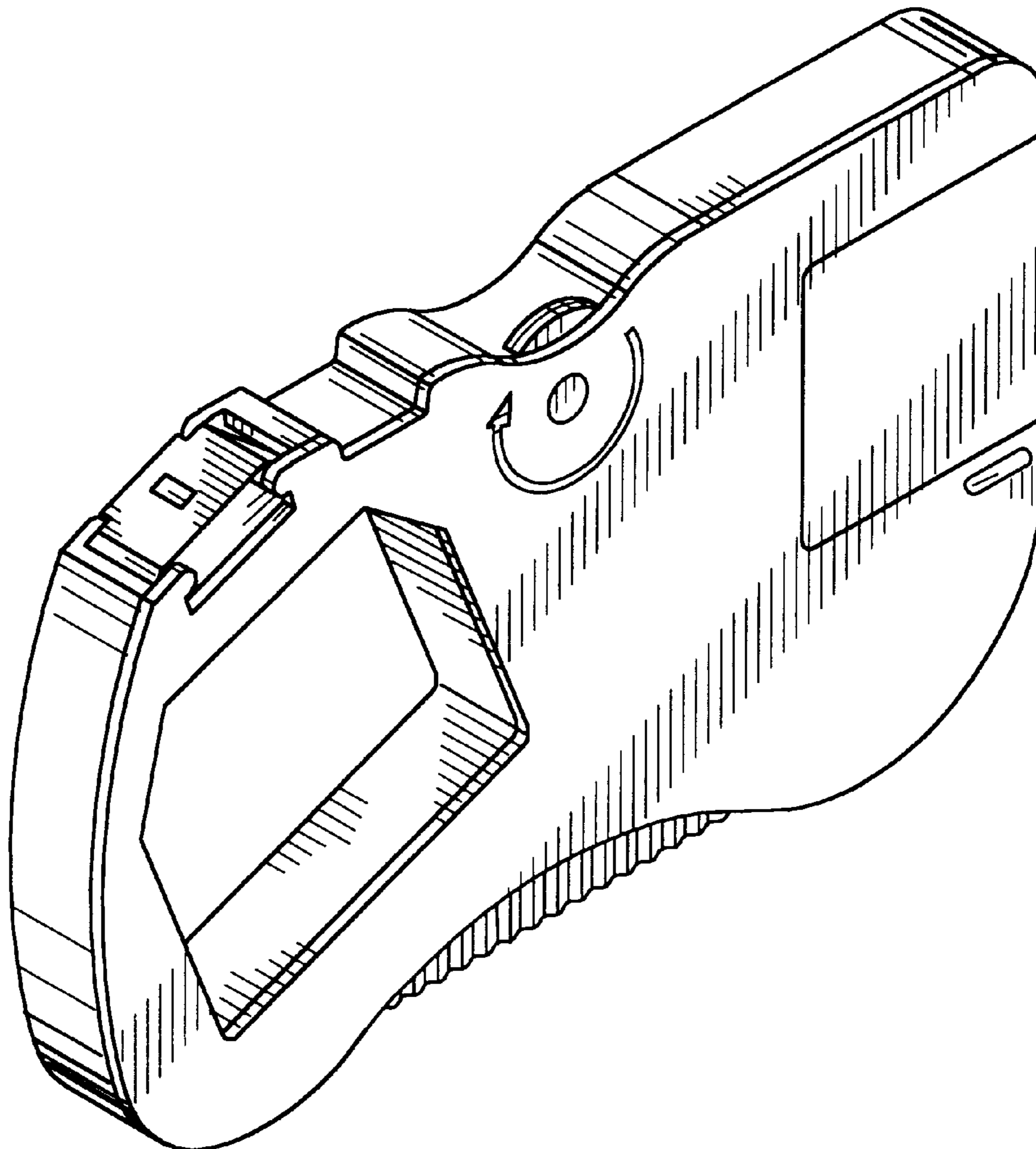
[58] **Field of Search** D18/1, 12; 400/194,
400/195, 196, 207

[56] **References Cited**

U.S. PATENT DOCUMENTS

- D. 302,827 8/1989 Fujita D18/12
- D. 319,652 9/1991 Lampe D18/12

1 Claim, 2 Drawing Sheets



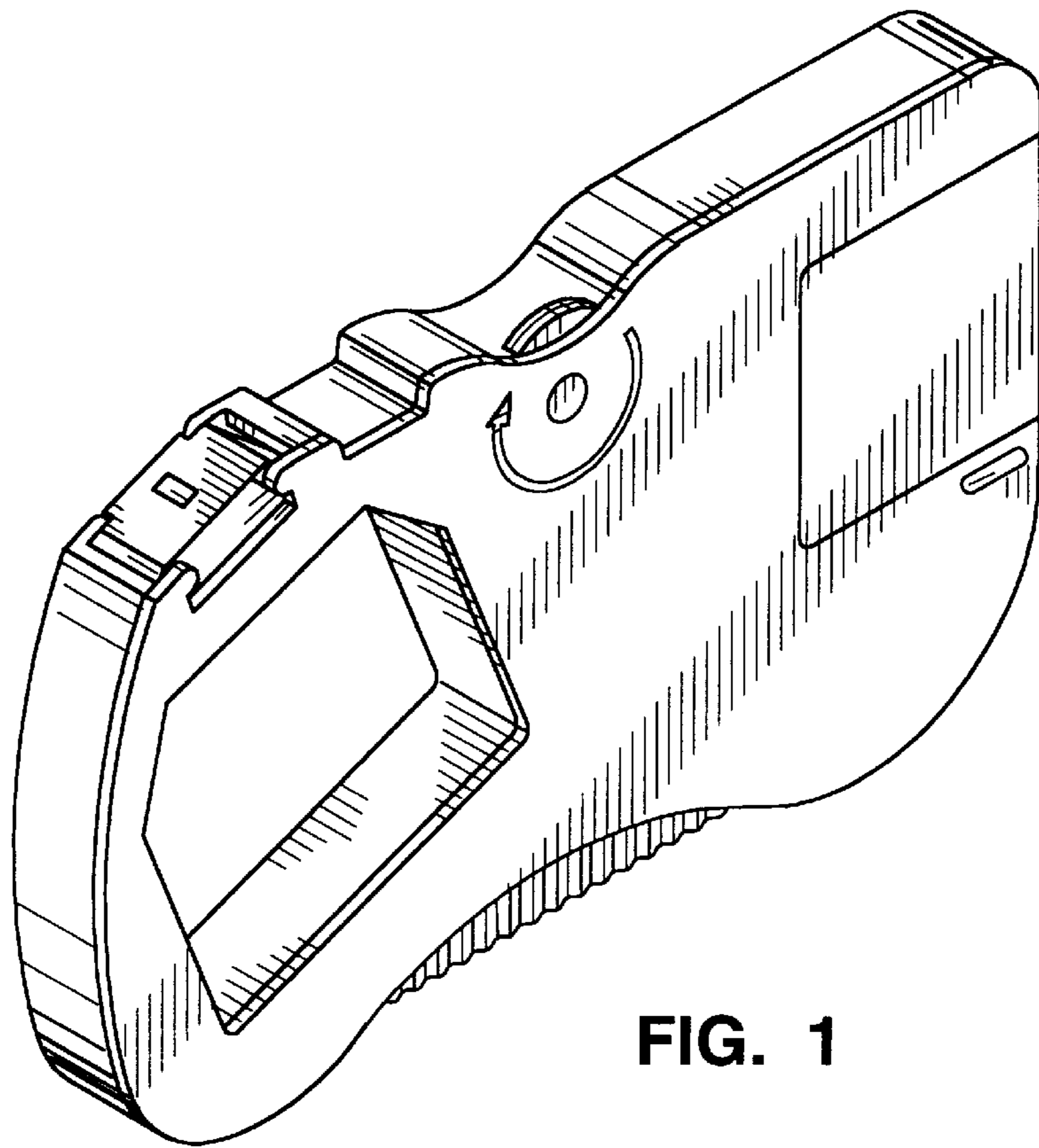


FIG. 1

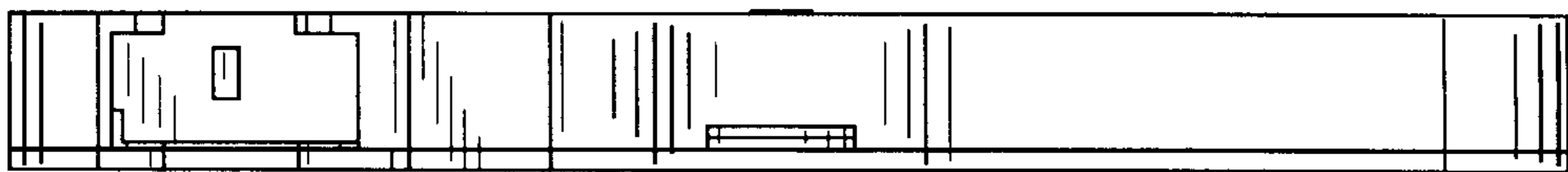


FIG. 2

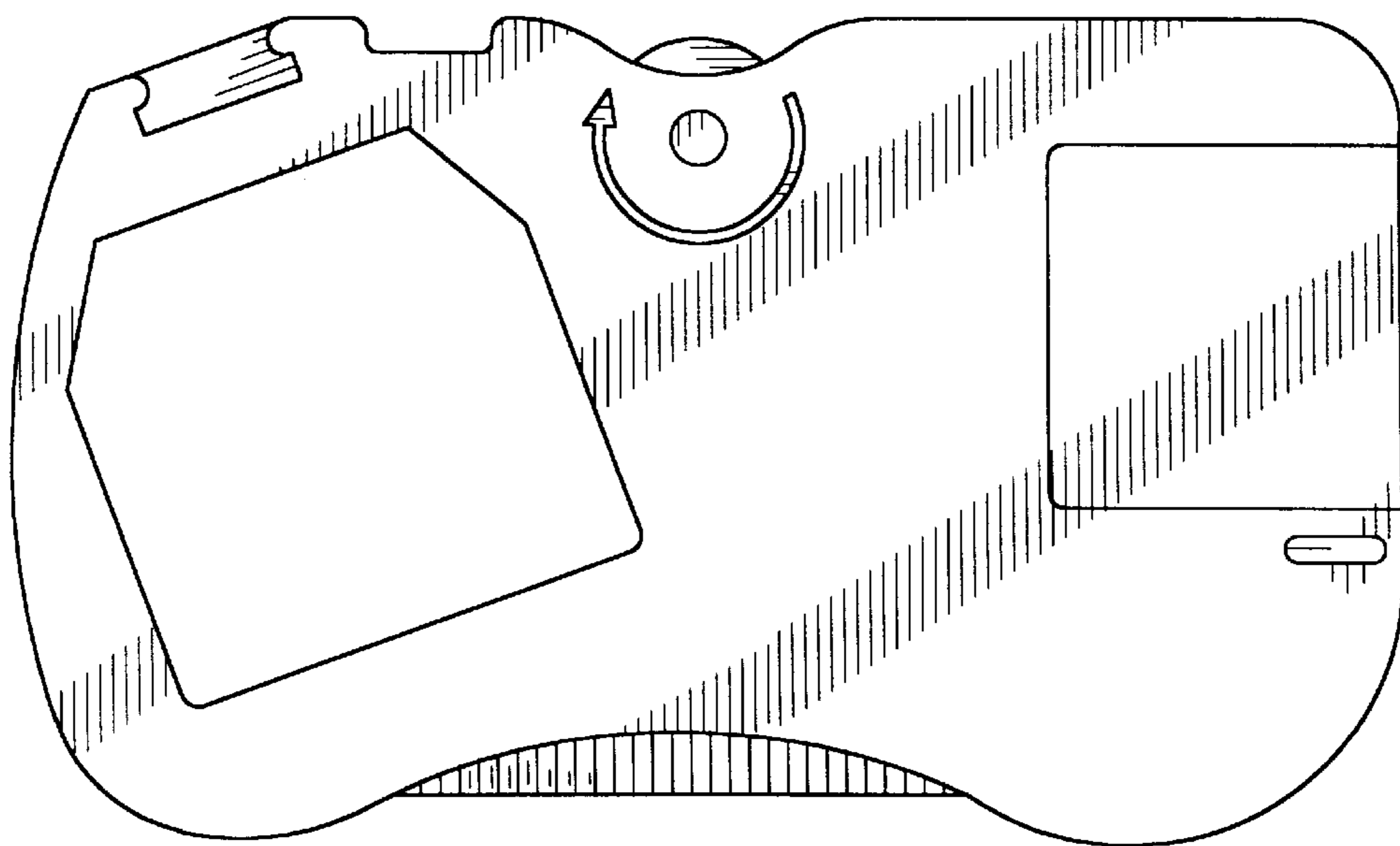


FIG. 3

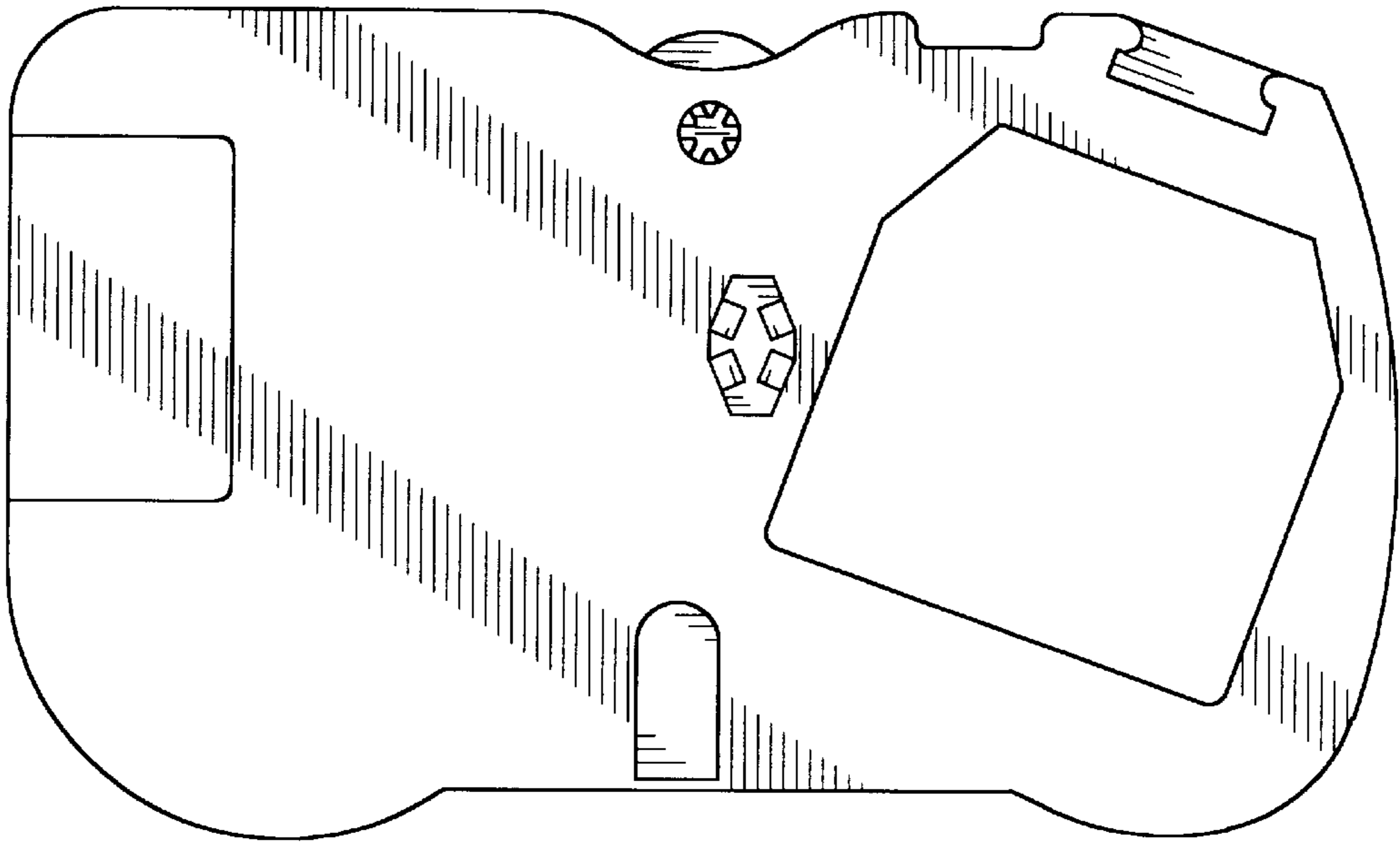


FIG. 4



FIG. 5

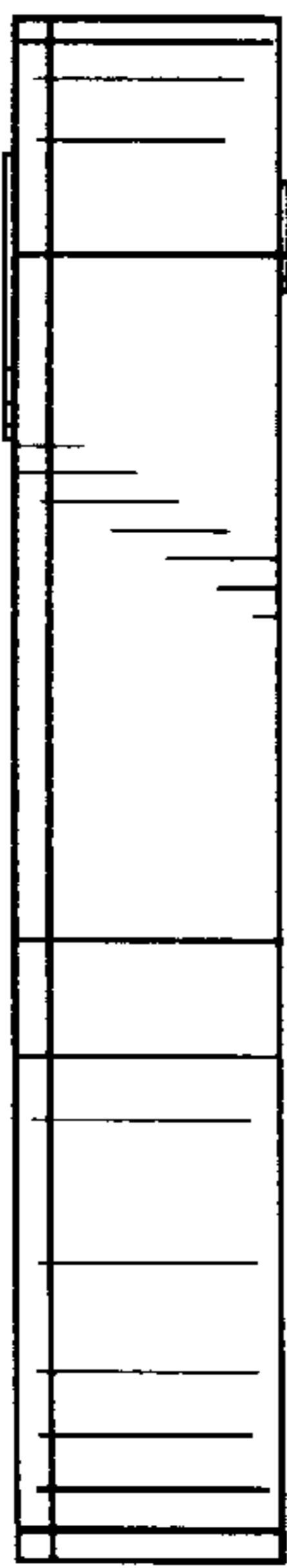


FIG. 6

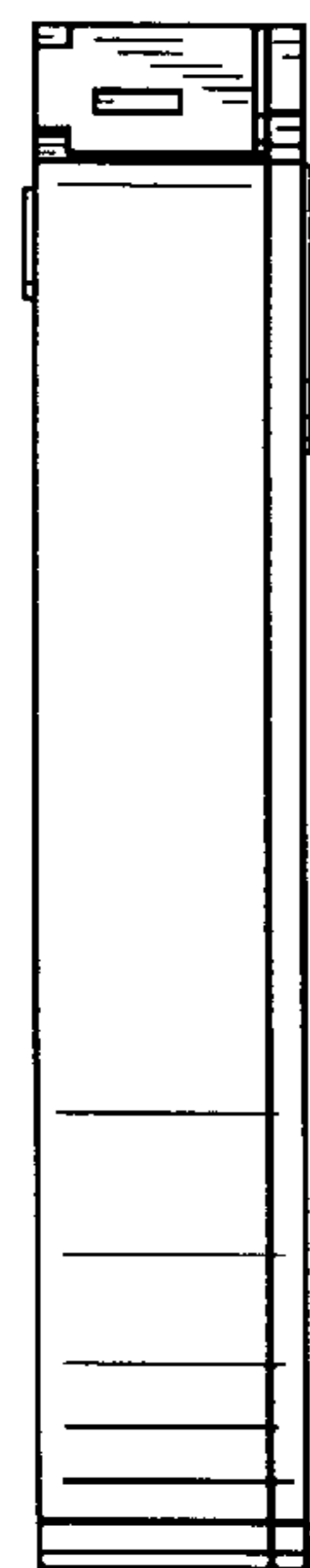


FIG. 7