



US00D416035S

United States Patent [19]
Hamamura

[11] **Patent Number: Des. 416,035**

[45] **Date of Patent: ** Nov. 2, 1999**

[54] **COMPACT CAMERA**

D. 387,368 12/1997 Matsuda D16/209
4,556,304 12/1985 Fukuda 396/448

[75] Inventor: **Toshihiro Hamamura**, Saitama, Japan

Primary Examiner—Adir Aronovich
Attorney, Agent, or Firm—Sughrue, Mion, Zinn, Macpeak & Seas, PLLC

[73] Assignee: **Asahi Kogaku Kogyo Kabushiki Kaisha**, Tokyo, Japan

[**] Term: **14 Years**

[57] **CLAIM**

[21] Appl. No.: **29/090,980**

The ornamental design for a compact camera, as shown and described.

[22] Filed: **Jul. 21, 1998**

DESCRIPTION

[30] **Foreign Application Priority Data**

Jan. 23, 1998 [JP] Japan 10-1725

FIG. 1 is a perspective view of the top, front and right side of a compact camera showing my new design; FIG. 2 is a front elevational view thereof; FIG. 3 is a top plan view thereof; FIG. 4 is a left side elevational view thereof; FIG. 5 is a right side elevational view thereof; FIG. 6 is a rear elevational view thereof; FIG. 7 is a bottom plan view thereof; FIG. 8 is a perspective view similar to FIG. 1 with the cover moved to the left and the lens extended; and, FIG. 9 is a perspective view similar to FIG. 1 with the cover moved to the right and the lens extended.

[51] **LOC (6) Cl.** **16-01**

[52] **U.S. Cl.** **D16/212**

[58] **Field of Search** D16/200–205,
D16/208, 209, 211–213; 396/448, 535–543

[56] **References Cited**

U.S. PATENT DOCUMENTS

- D. 213,806 4/1969 Ikegami et al. D16/212
- D. 287,733 1/1987 Ago et al. D16/212
- D. 323,336 1/1992 Moro et al. D16/209
- D. 359,501 6/1995 Hamamura D16/212

1 Claim, 4 Drawing Sheets

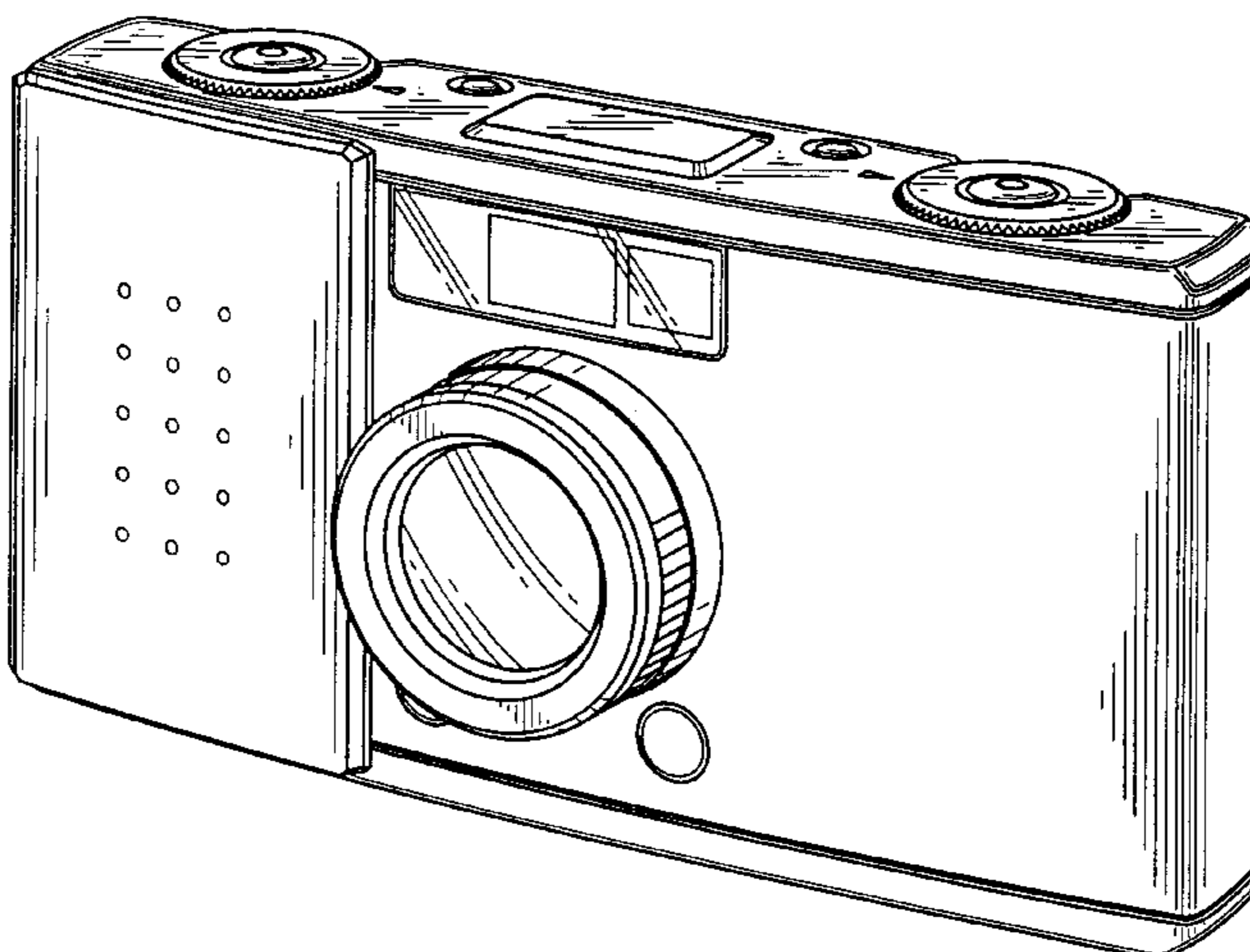
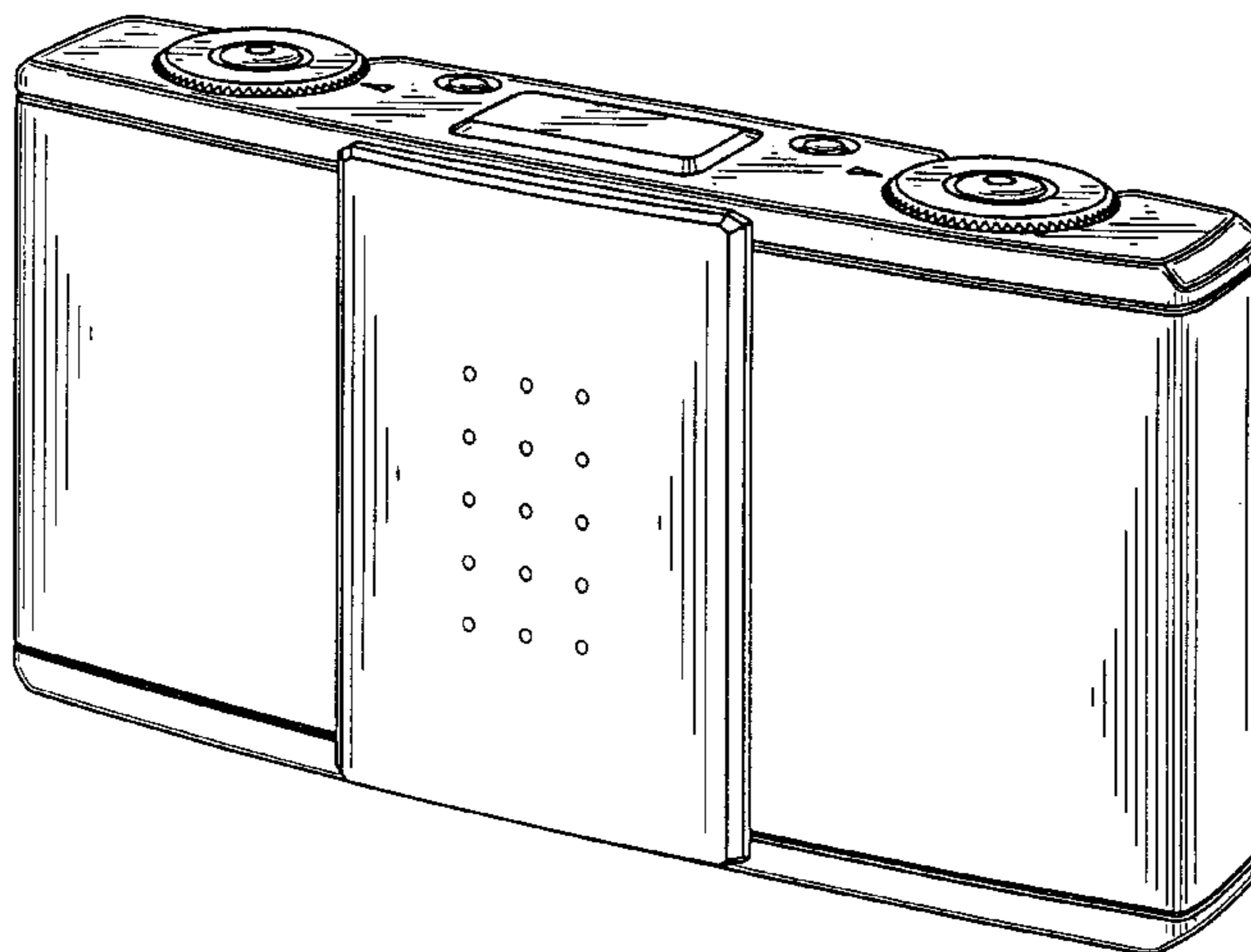


FIG. 1

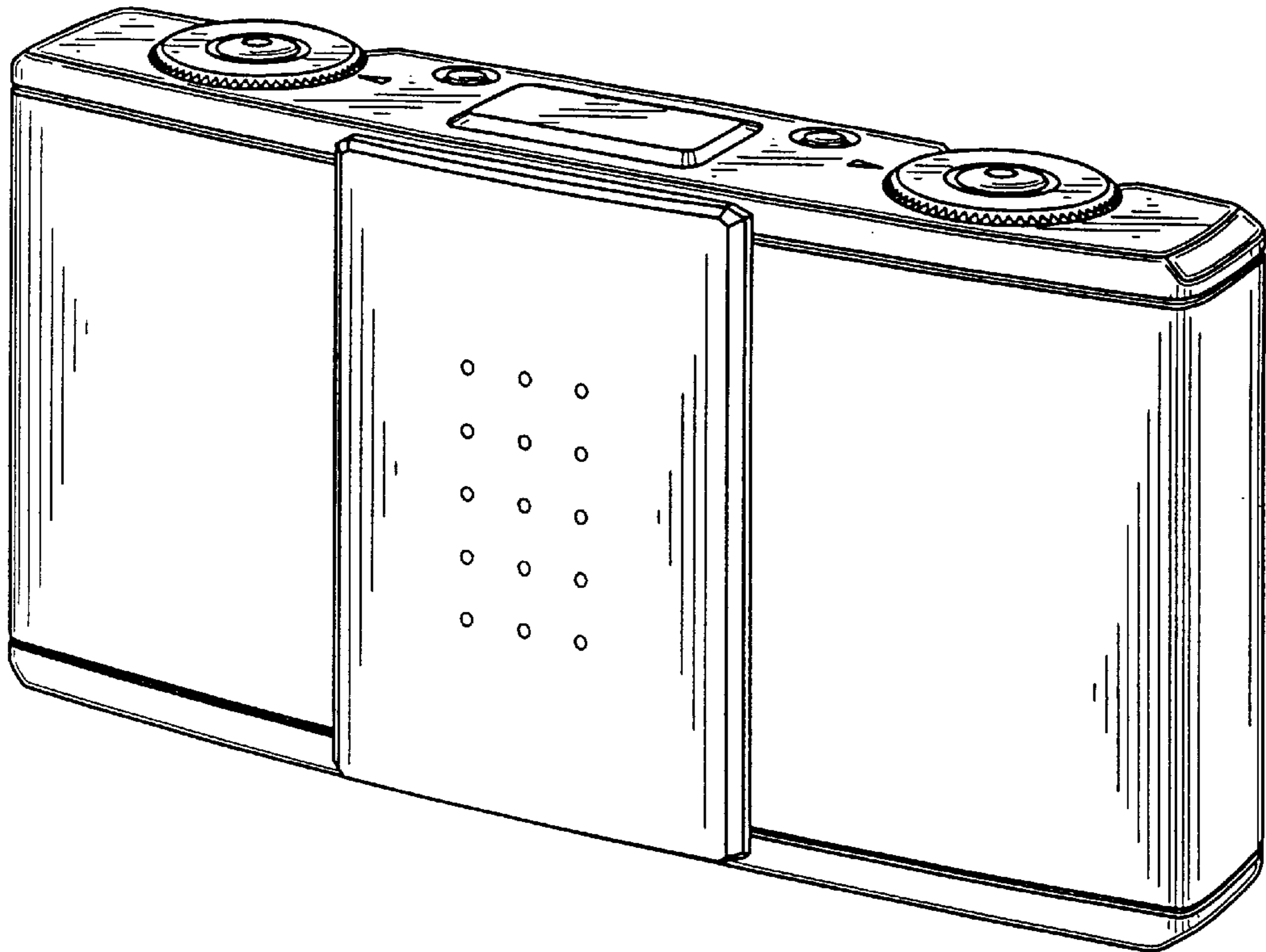


FIG. 2

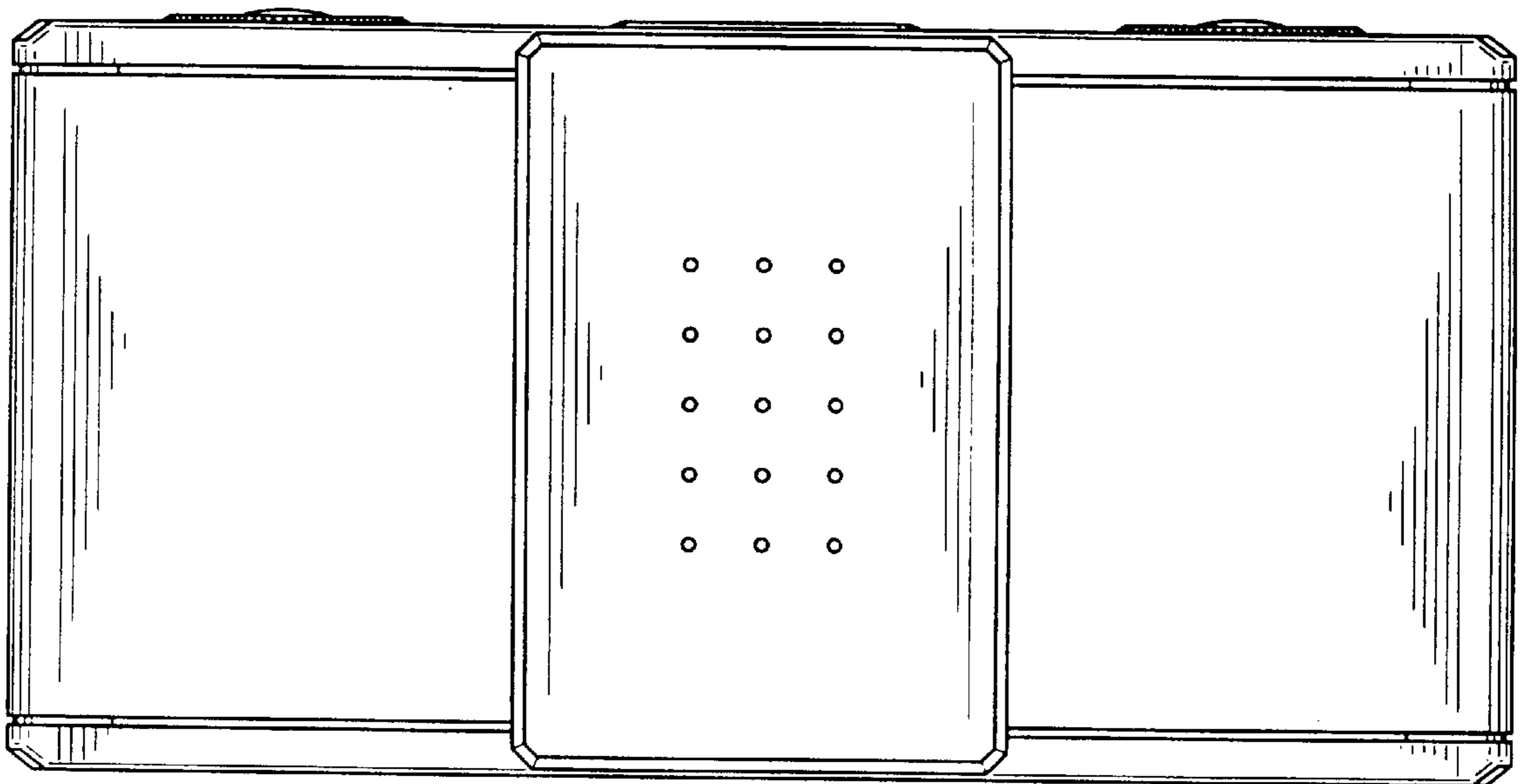


FIG. 3

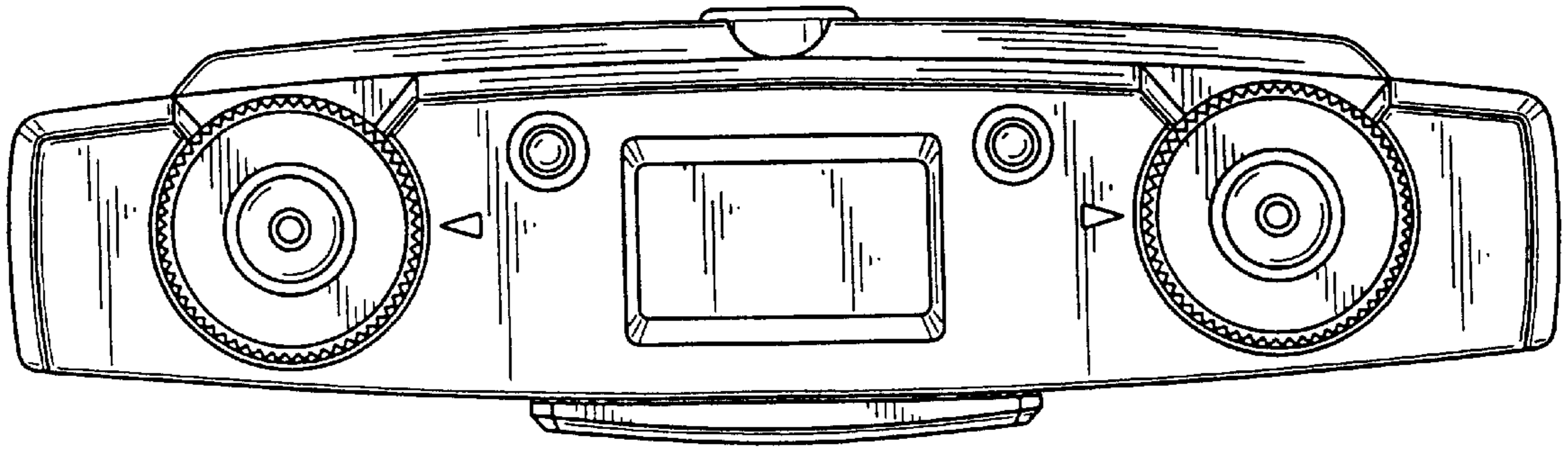


FIG. 4

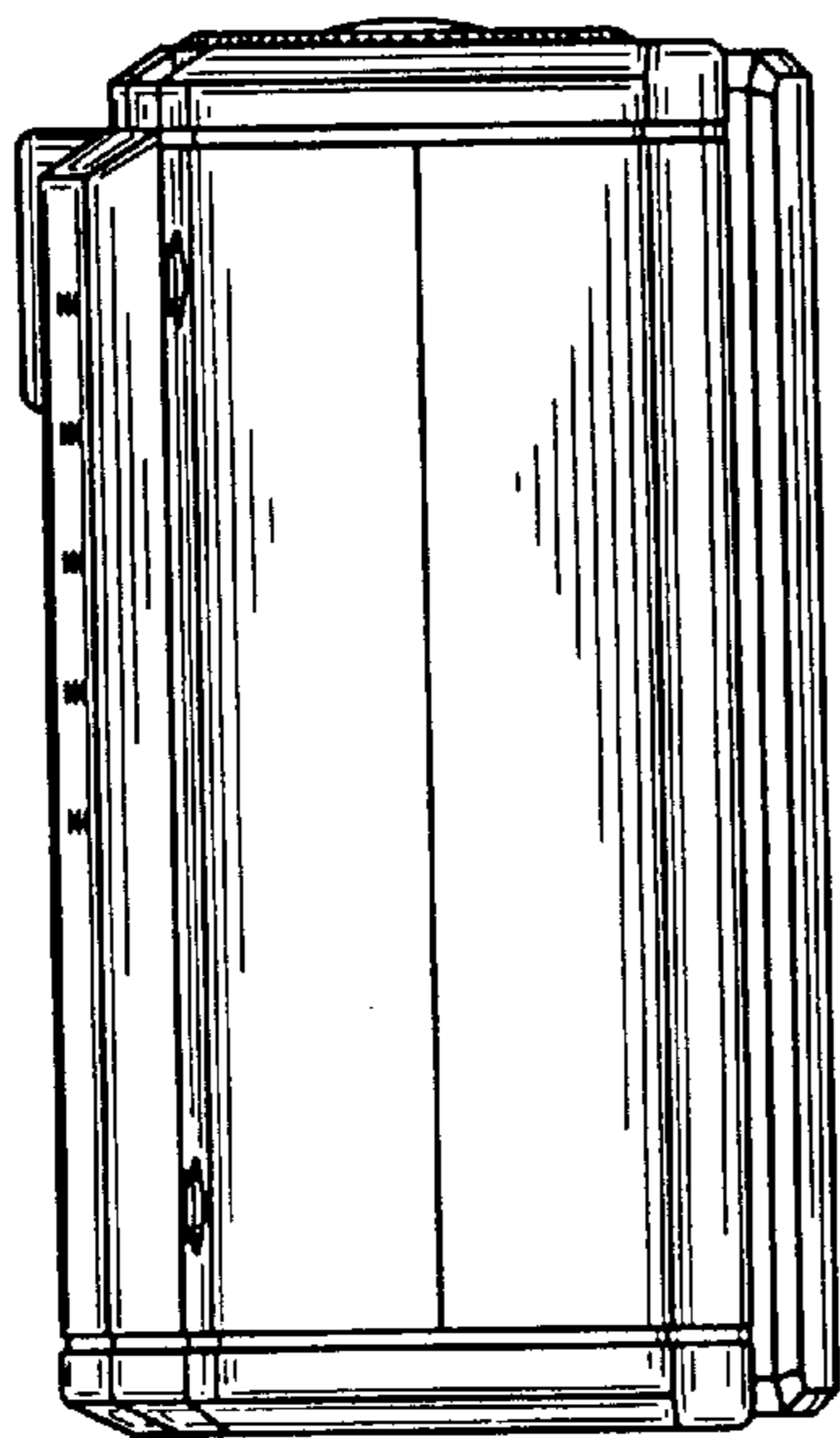


FIG. 5

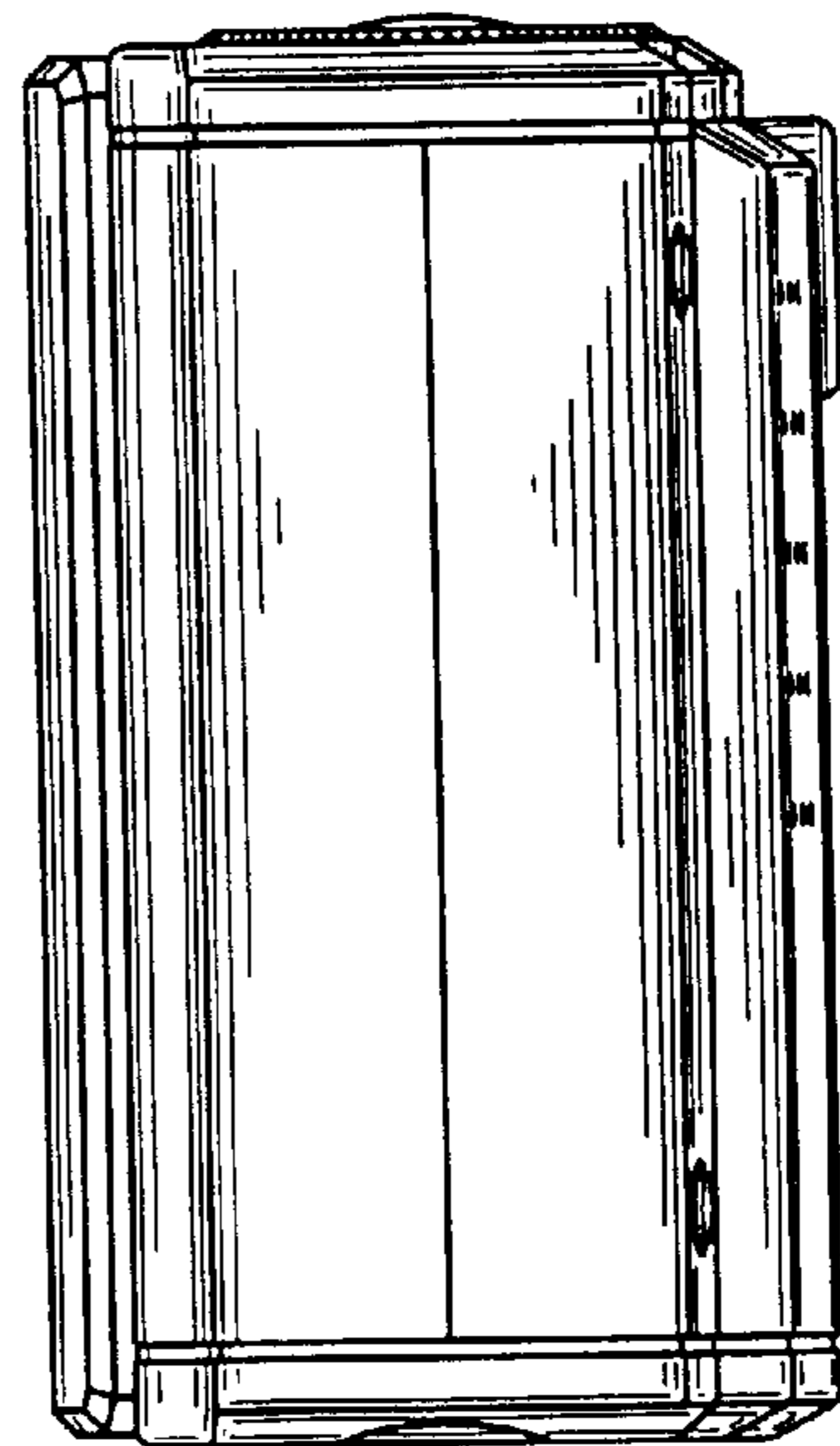


FIG. 6

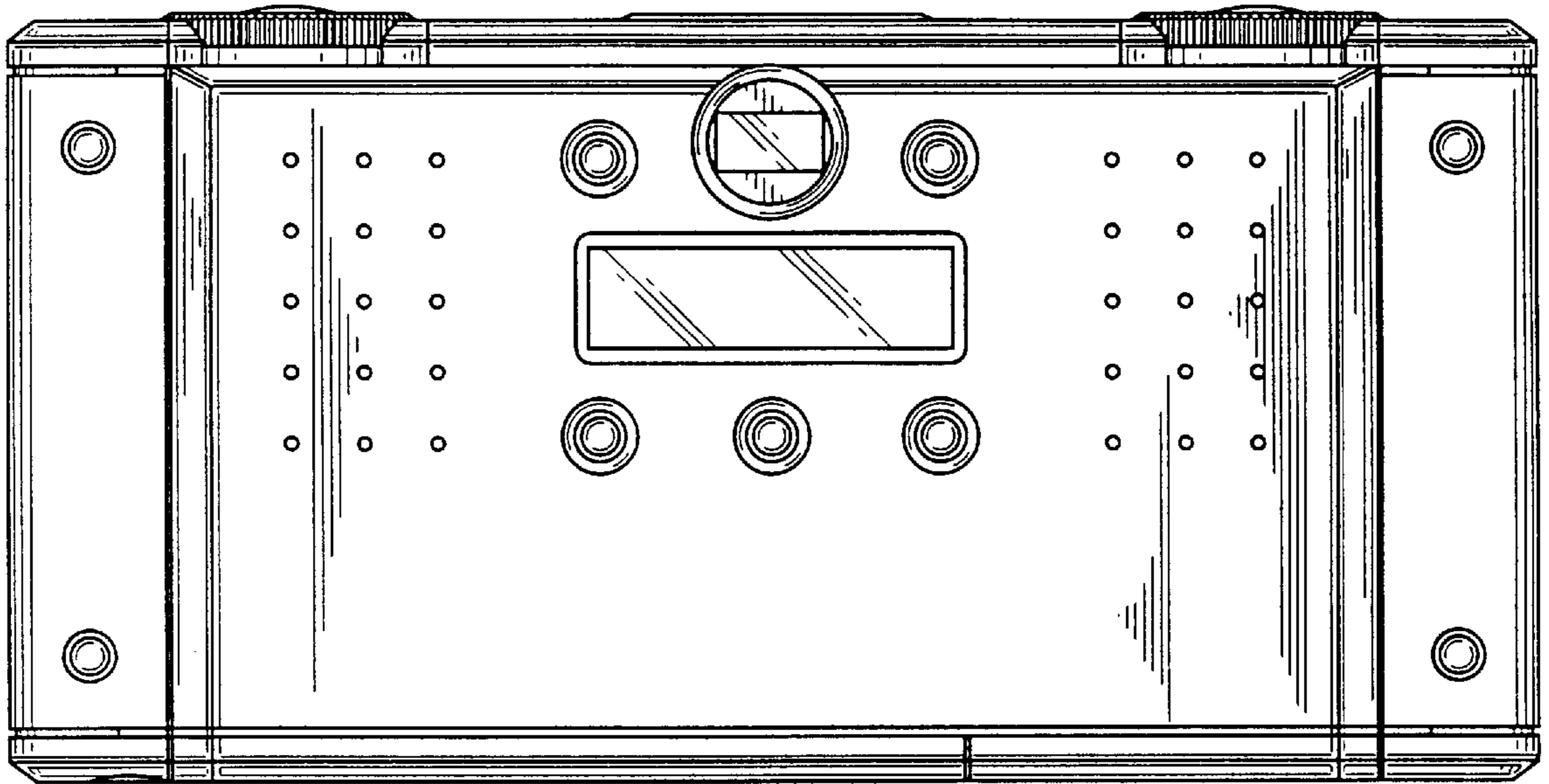


FIG. 7

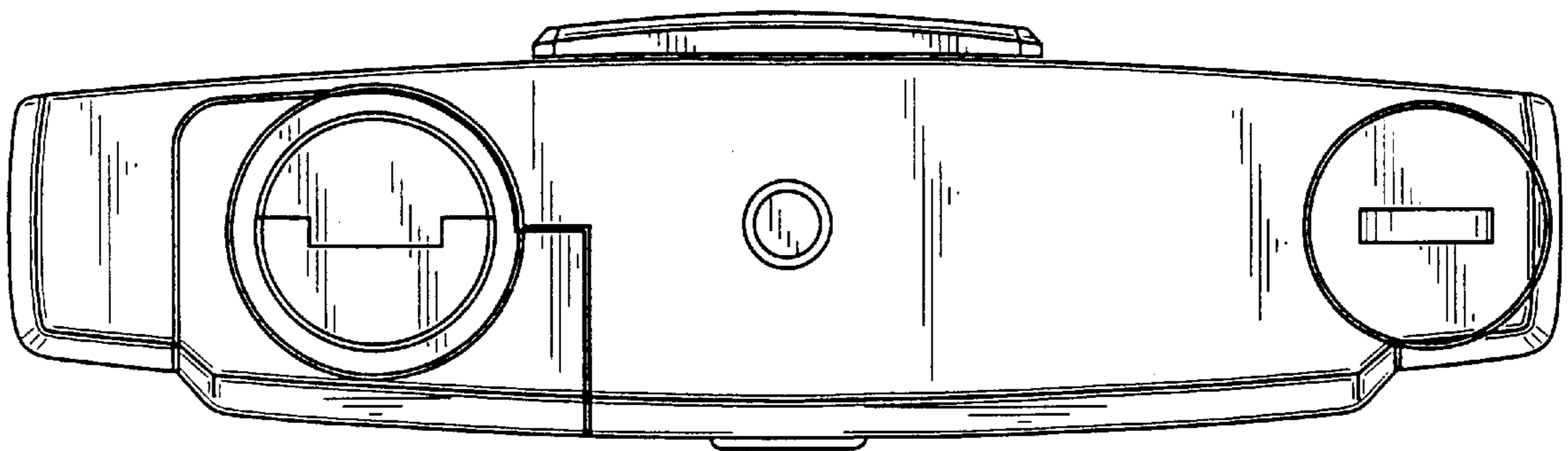


FIG. 8

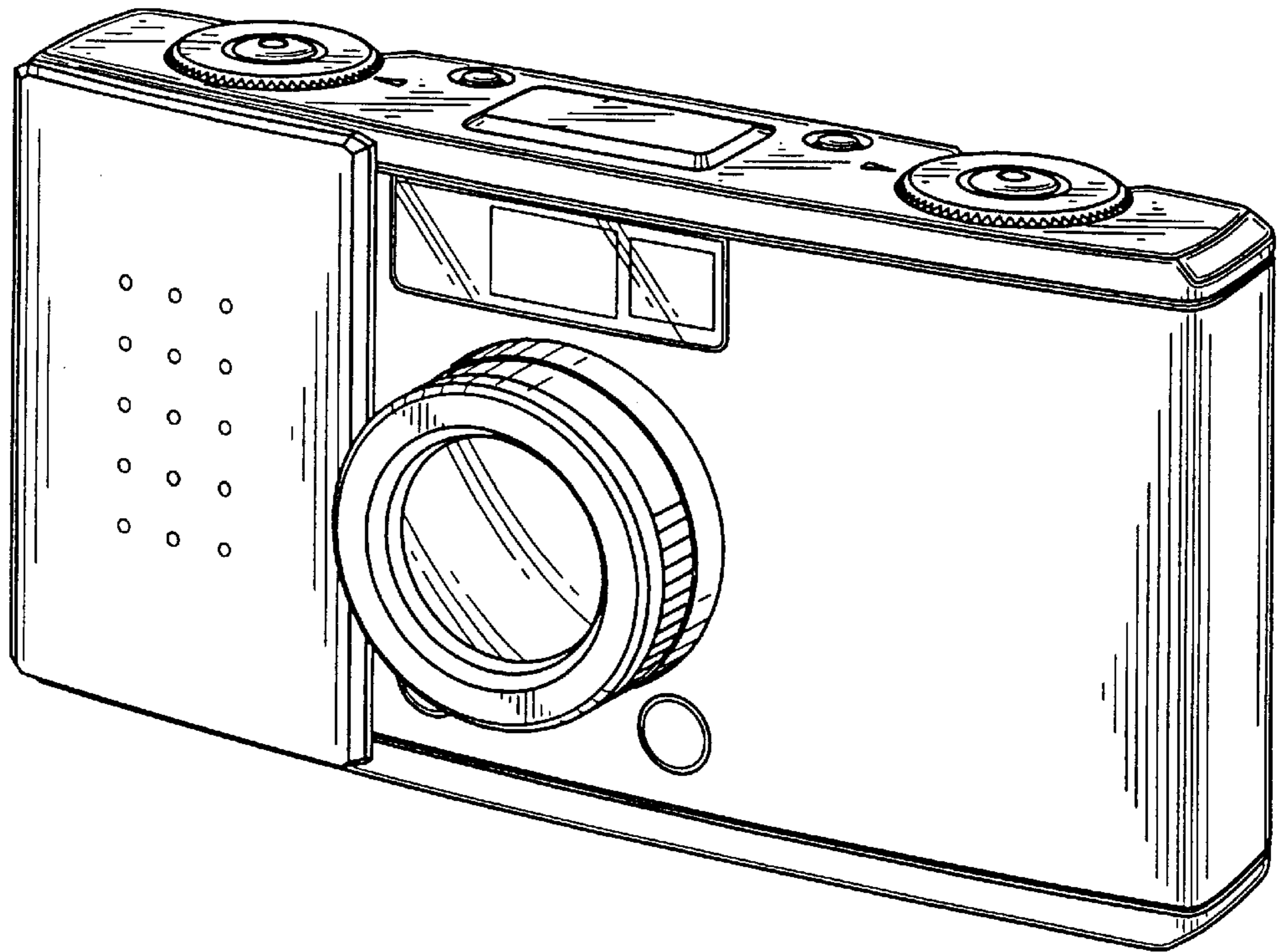


FIG. 9

