



US00D416034S

United States Patent [19] Hayamizu

[11] Patent Number: **Des. 416,034**

[45] Date of Patent: **** Nov. 2, 1999**

[54] **35MM CAMERA**

[75] Inventor: **Eiji Hayamizu**, Tokyo, Japan

[73] Assignee: **Asahi Kogaku Kogyo Kabushiki Kaisha**, Tokyo, Japan

[**] Term: **14 Years**

[21] Appl. No.: **29/087,610**

[22] Filed: **May 6, 1998**

[30] Foreign Application Priority Data

Nov. 13, 1997 [JP] Japan 9-74823

[51] **LOC (6) Cl.** **16-01**

[52] **U.S. Cl.** **D16/209; D16/218**

[58] **Field of Search** D16/200-209,
D16/216-218; 396/60, 84, 535-543

[56] References Cited

U.S. PATENT DOCUMENTS

- D. 336,310 6/1993 Fukushima et al. D16/209
- D. 342,963 1/1994 Isozaki D16/209
- D. 377,035 12/1996 Hayashi D16/218
- D. 381,350 7/1997 Hamamura D16/209

- D. 381,998 8/1997 Koinuma D16/209
- 4,924,248 5/1990 Taniguchi et al. 396/60
- 4,990,945 2/1991 Cho et al. 396/84

Primary Examiner—Adir Aronovich
Attorney, Agent, or Firm—Sughrue, Mion, Zinn, Macpeak & Seas, PLLC

[57] CLAIM

The ornamental design for a 35MM camera, as shown and described.

DESCRIPTION

FIG. 1 is a perspective view of the top, front and left side of a 35MM camera showing my new design;
 FIG. 2 is a front elevational view thereof;
 FIG. 3 is a top plan view thereof;
 FIG. 4 is a left side elevational view thereof;
 FIG. 5 is a right side elevational view thereof;
 FIG. 6 is rear elevational view thereof;
 FIG. 7 is a bottom plan view thereof;
 FIG. 8 is a perspective view similar to FIG. 1 with the lens partially extended; and,
 FIG. 9 is perspective view similar to FIG. 1 with the lens fully extended.

1 Claim, 5 Drawing Sheets

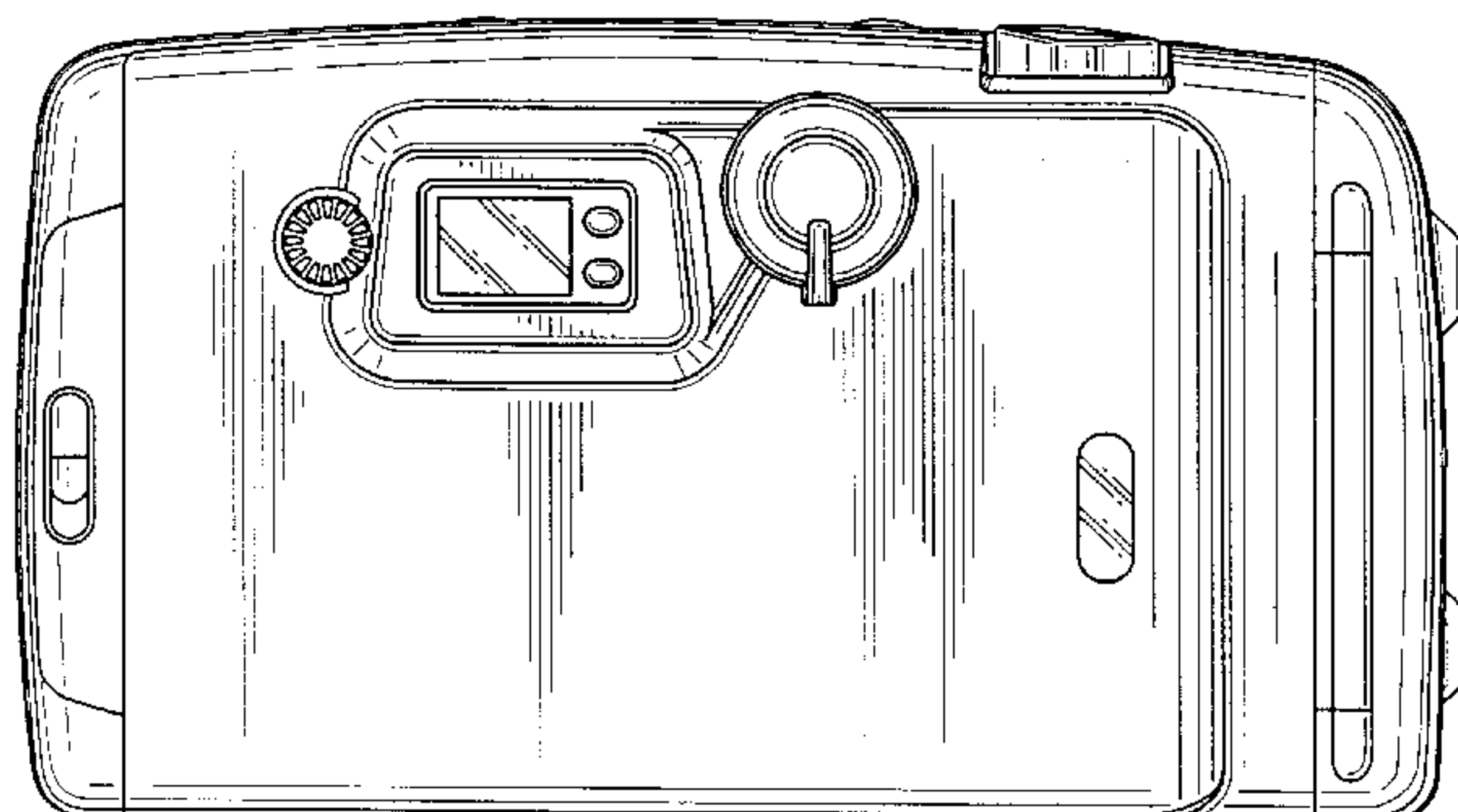
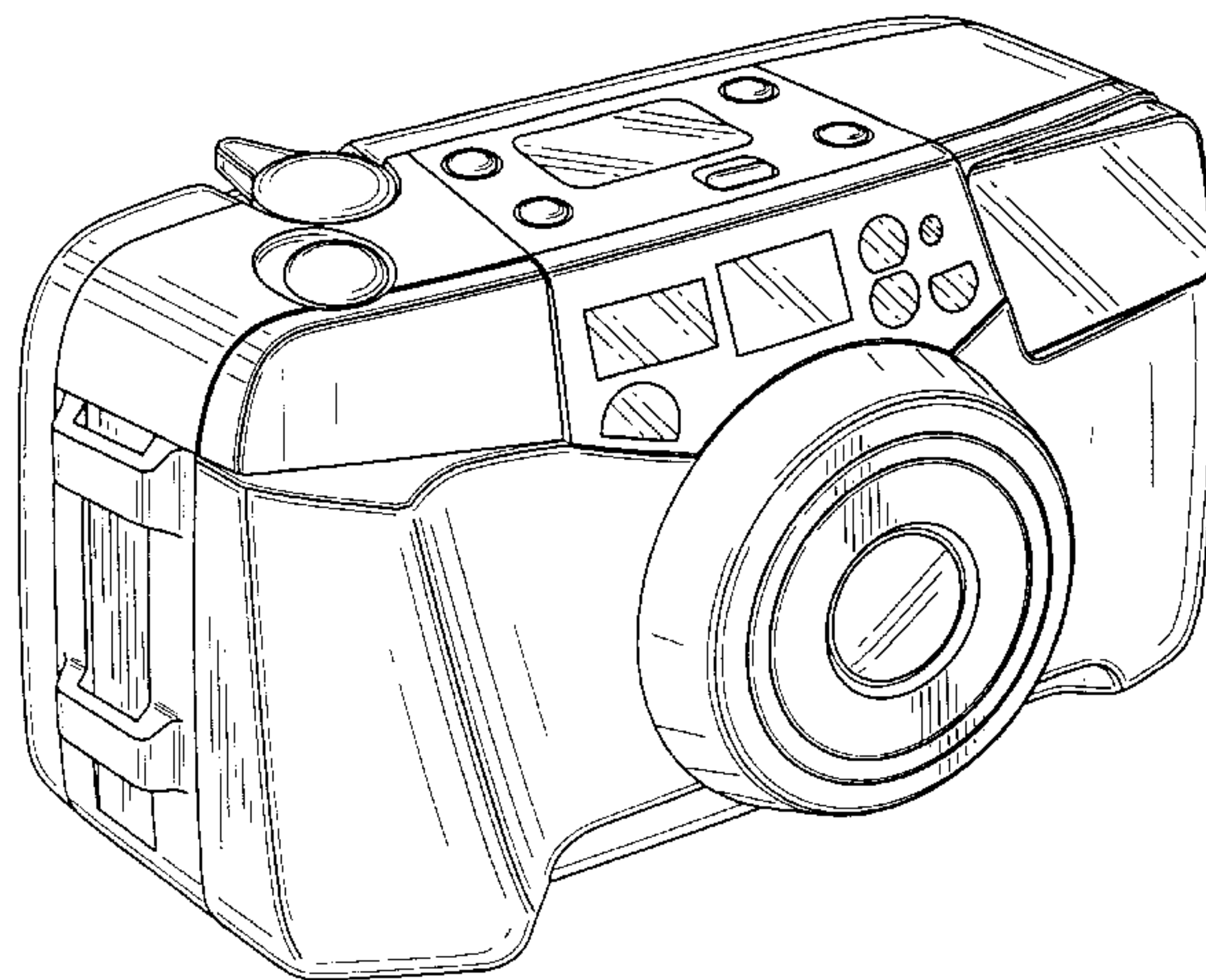


FIG. 1

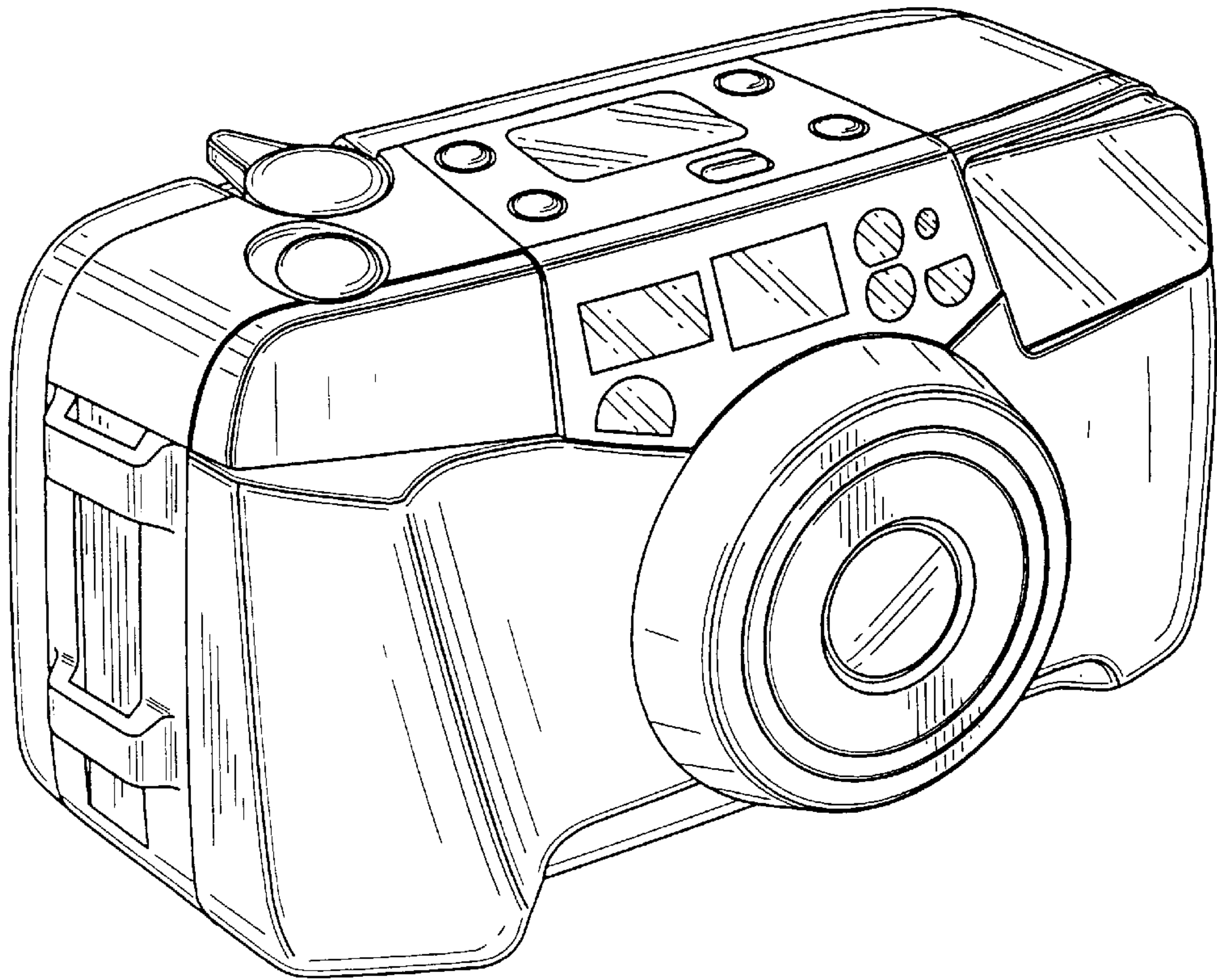


FIG. 2

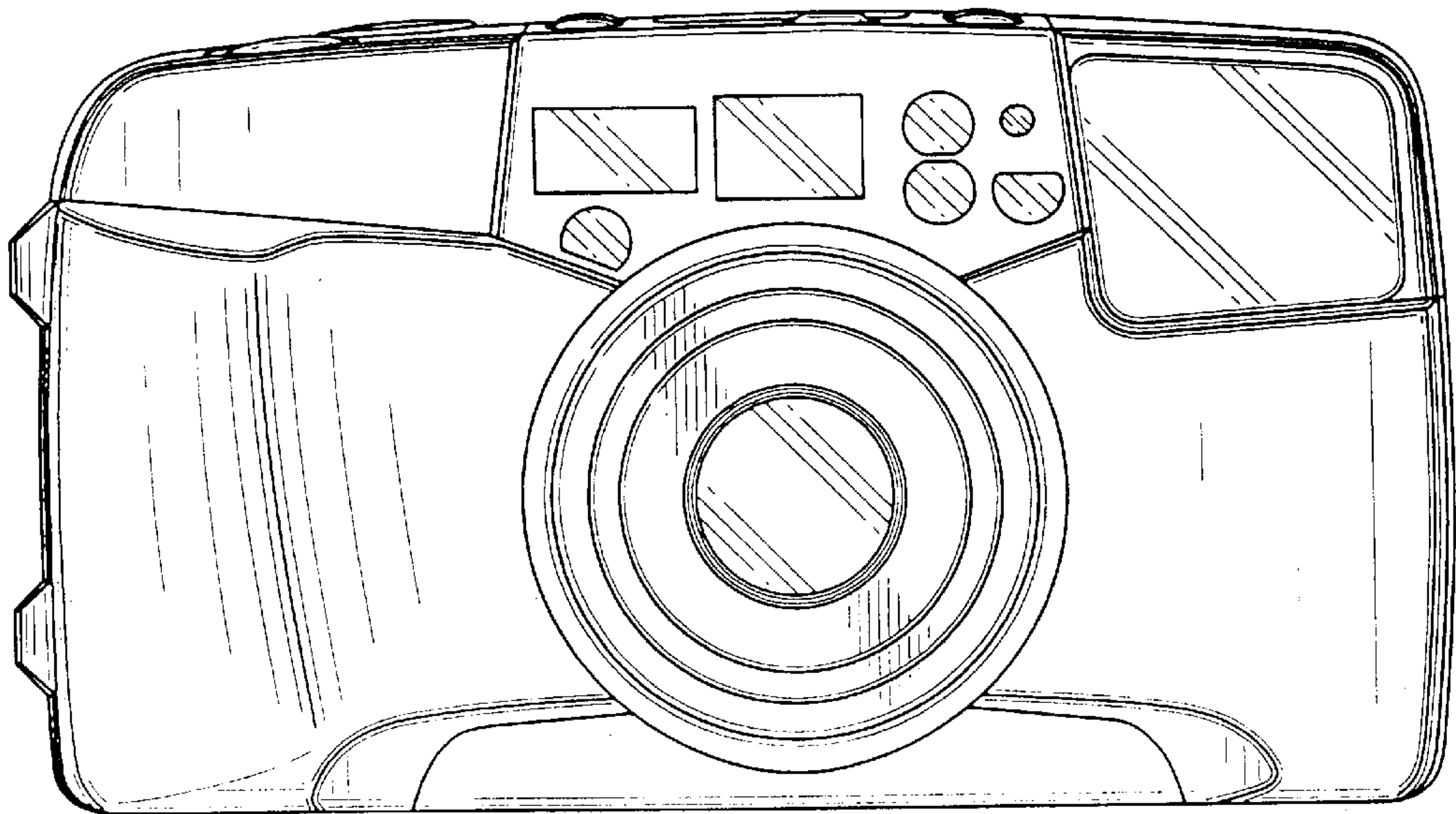


FIG. 3

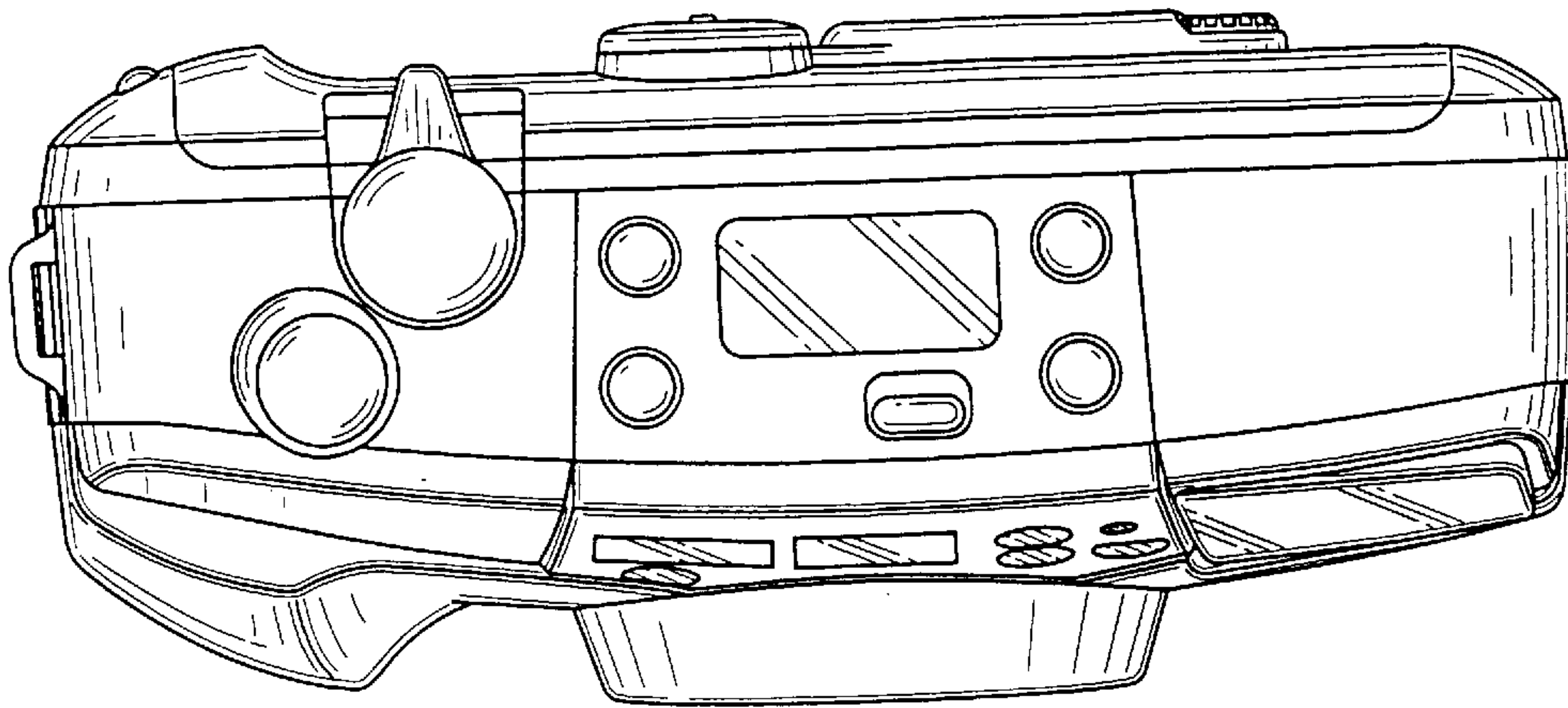


FIG. 4

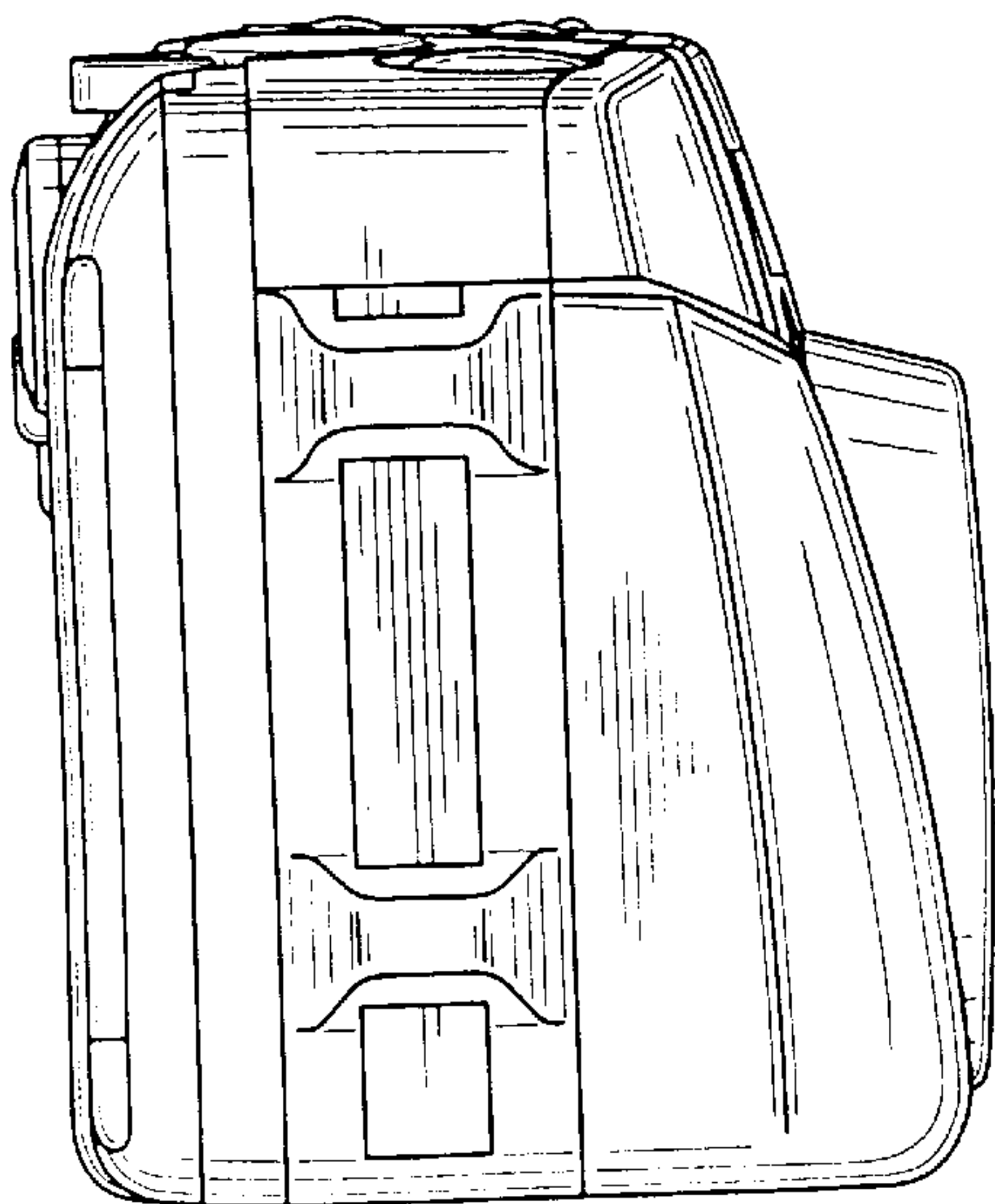


FIG. 5

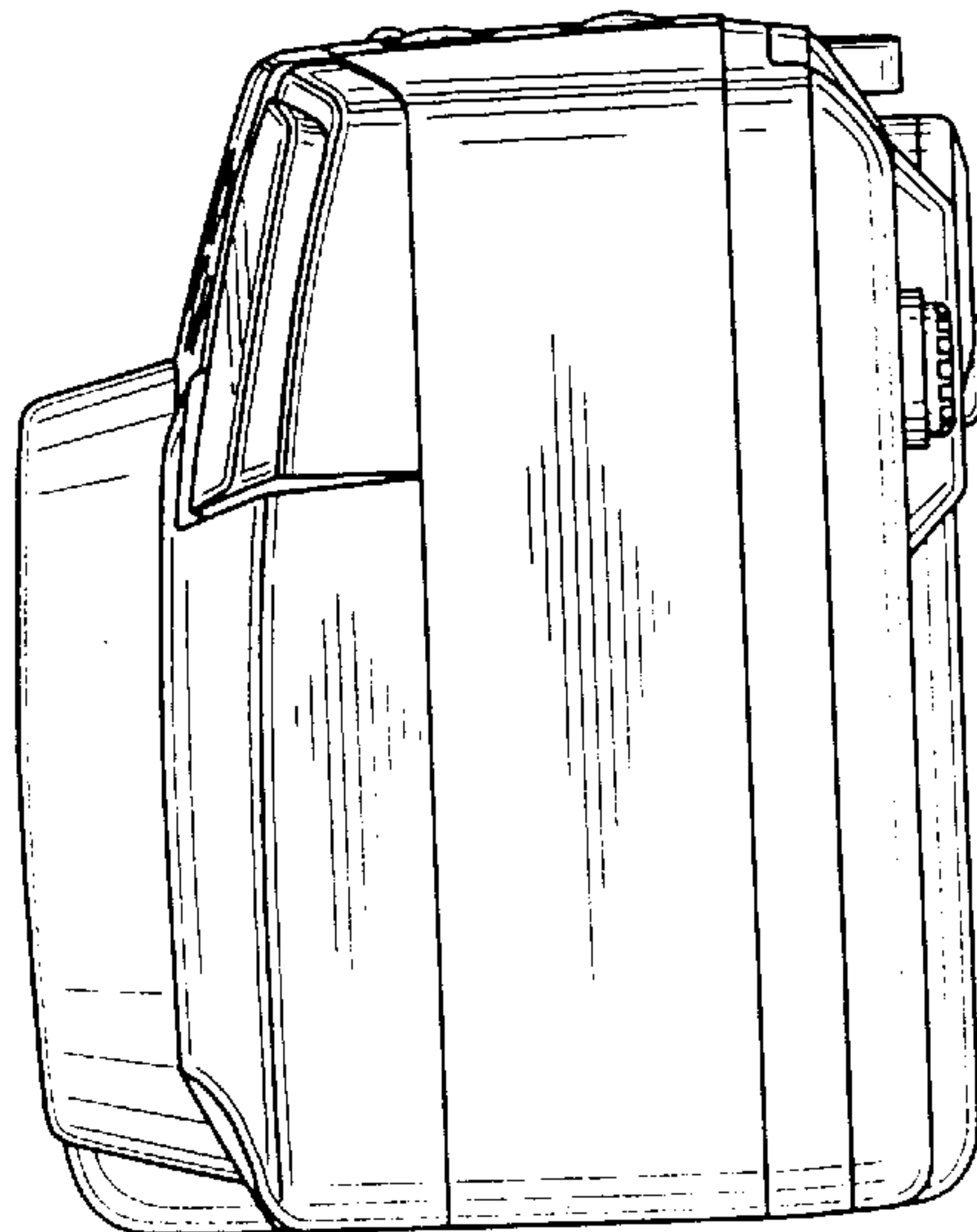


FIG. 6

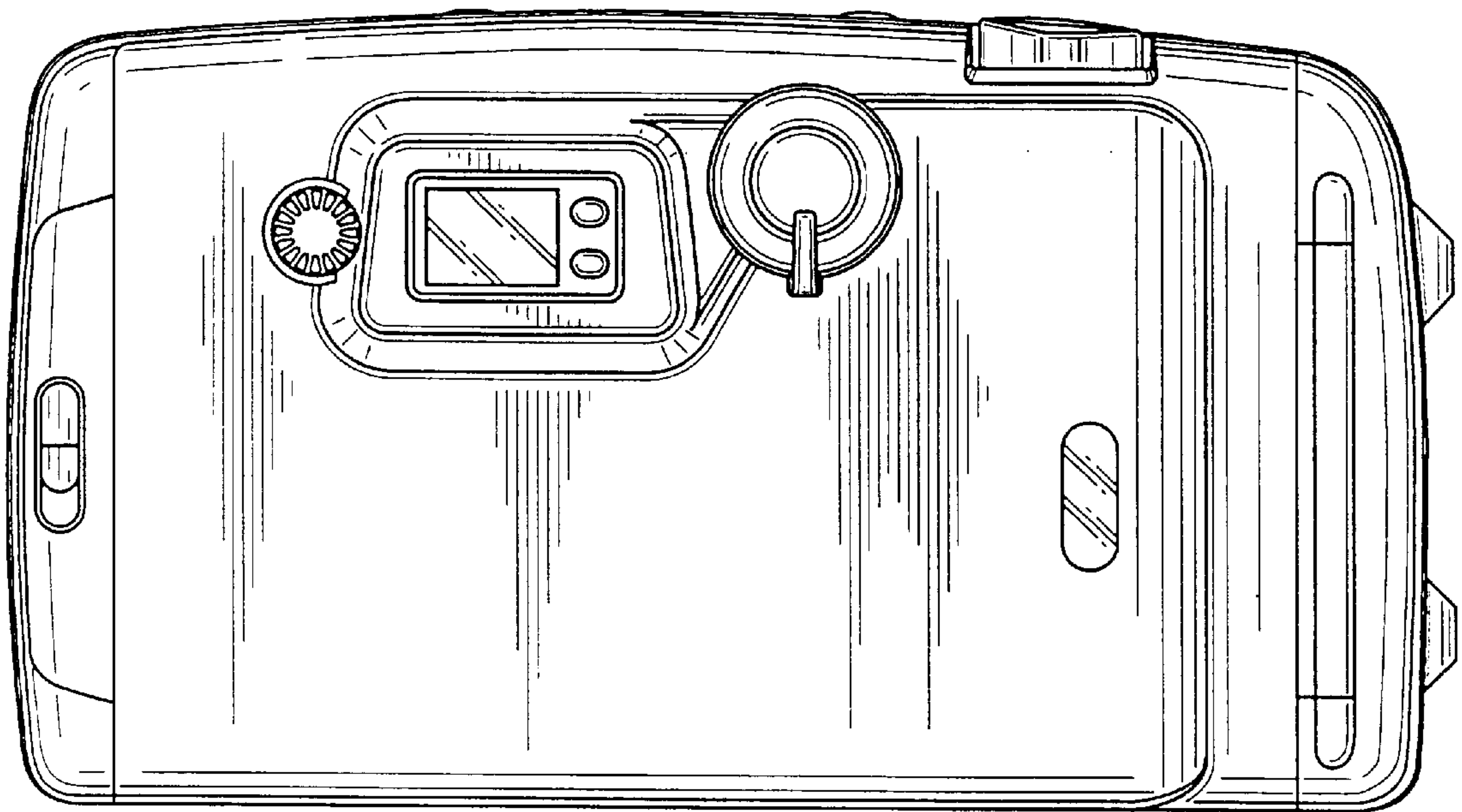


FIG. 7

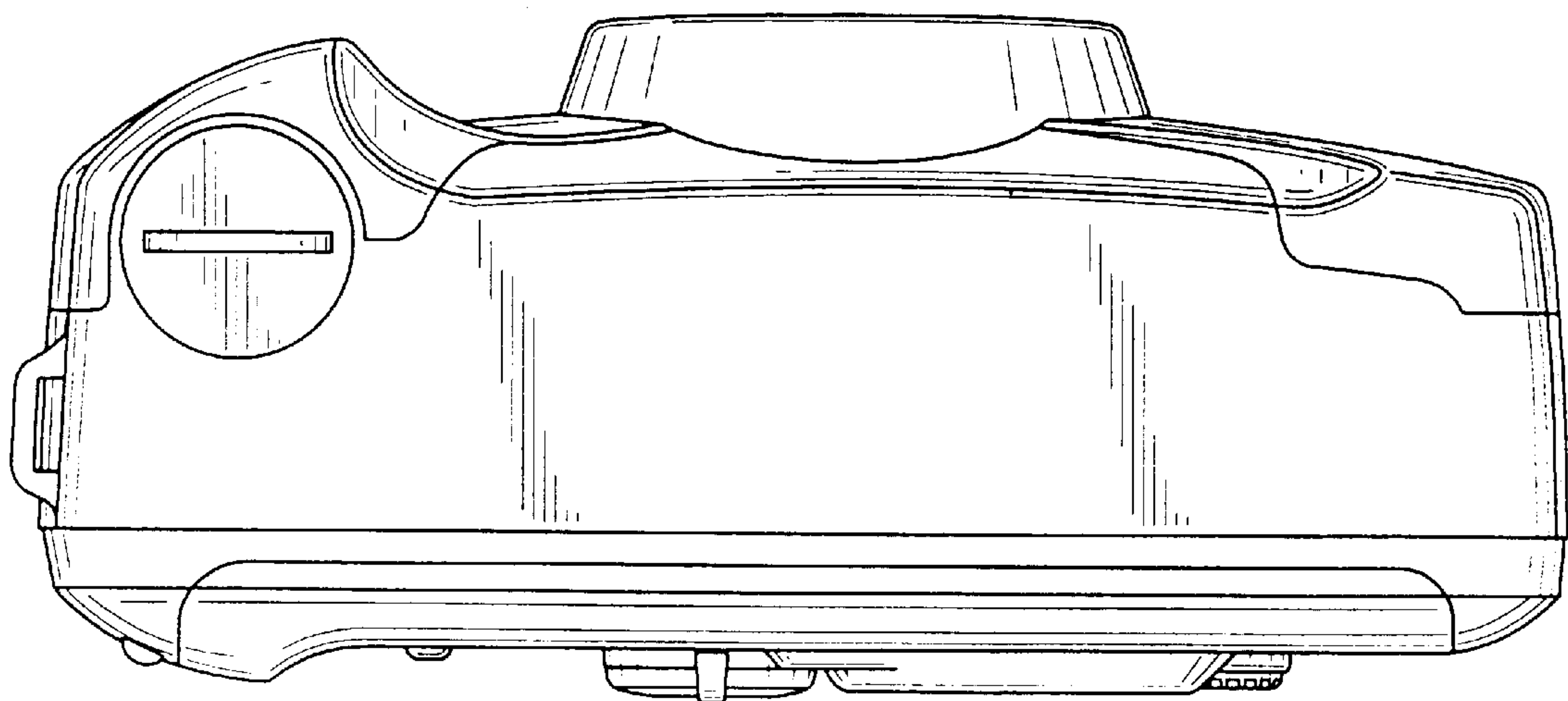


FIG. 8

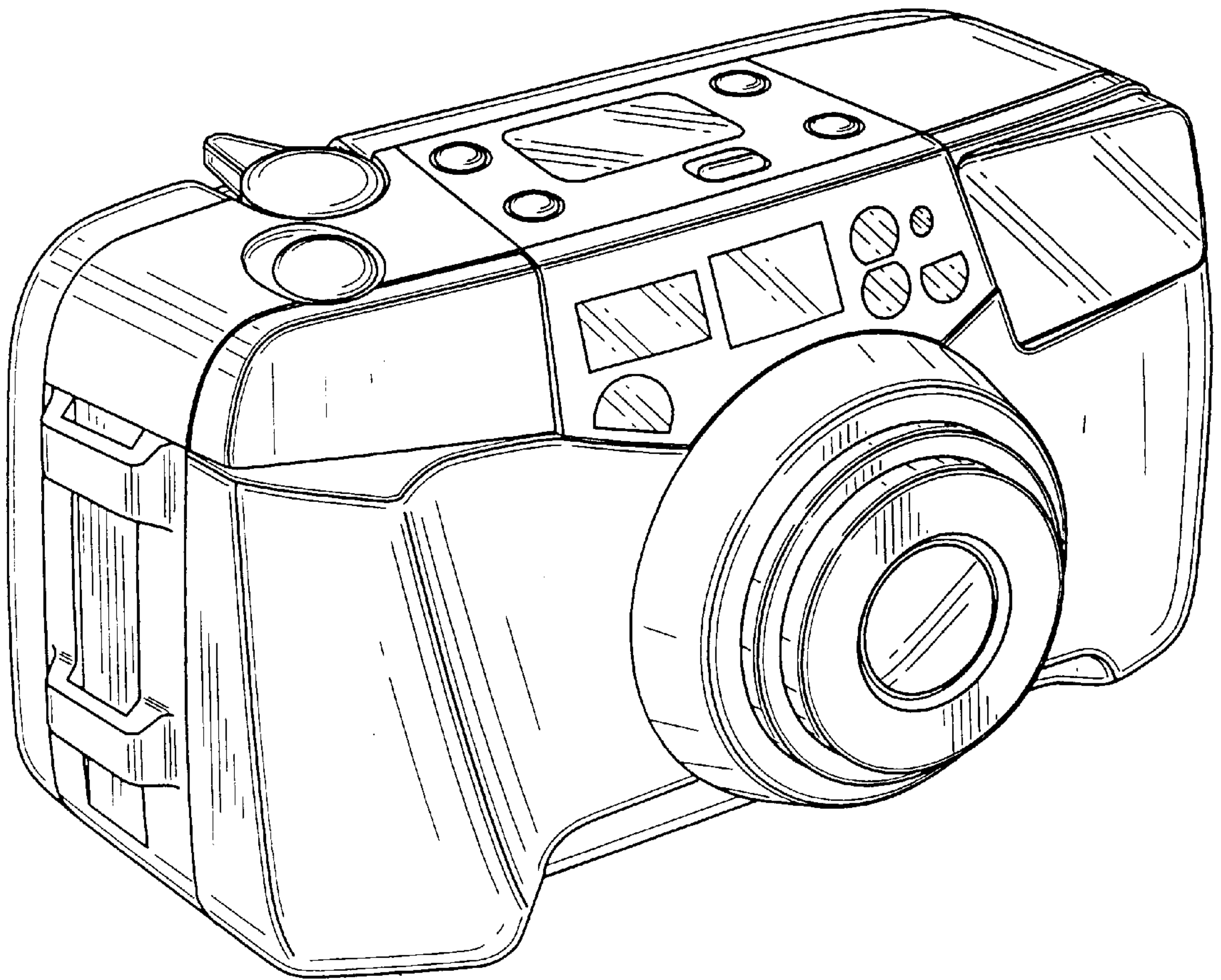


FIG. 9

