



US00D416033S

United States Patent [19]
Kitera

[11] **Patent Number: Des. 416,033**

[45] **Date of Patent: ** Nov. 2, 1999**

[54] **SURVEILLANCE CAMERA BODY**

[75] Inventor: **Jun Kitera**, Tokyo, Japan

[73] Assignee: **Asahi Kogaku Kogyo Kabushiki Kaisha**, Tokyo, Japan

[**] Term: **14 Years**

[21] Appl. No.: **29/093,636**

[22] Filed: **Sep. 15, 1998**

[30] **Foreign Application Priority Data**

Mar. 17, 1998 [JP] Japan 10-7384

[51] **LOC (6) Cl.** **16-01**

[52] **U.S. Cl.** **D16/203**

[58] **Field of Search** D16/200-205,
D16/208; 348/143, 373-376; 352/242, 243;
358/906; 396/427, 535-543

[56] **References Cited**

U.S. PATENT DOCUMENTS

D. 226,453 3/1973 Bundy D16/203

D. 307,029 4/1990 Tominaga et al. D16/203
D. 386,196 11/1997 Ikenaga D16/202
4,485,407 11/1984 Bohm et al. 348/374
5,631,699 5/1997 Saito 348/143

Primary Examiner—Adir Aronovich
Attorney, Agent, or Firm—Sughrue, Mion, Zinn, Macpeak & Seas, PLLC

[57] **CLAIM**

The ornamental design for a surveillance camera body, as shown and described.

DESCRIPTION

FIG. 1 is a perspective view of the front, top and right side of a surveillance camera body showing my new design; FIG. 2 is a front elevational view thereof; FIG. 3 is a top plan view thereof; FIG. 4 is a left side elevational view thereof, the right side elevation view being a mirror image thereof; FIG. 5 is a rear elevational view thereof; and, FIG. 6 is a bottom plan view thereof.

1 Claim, 3 Drawing Sheets

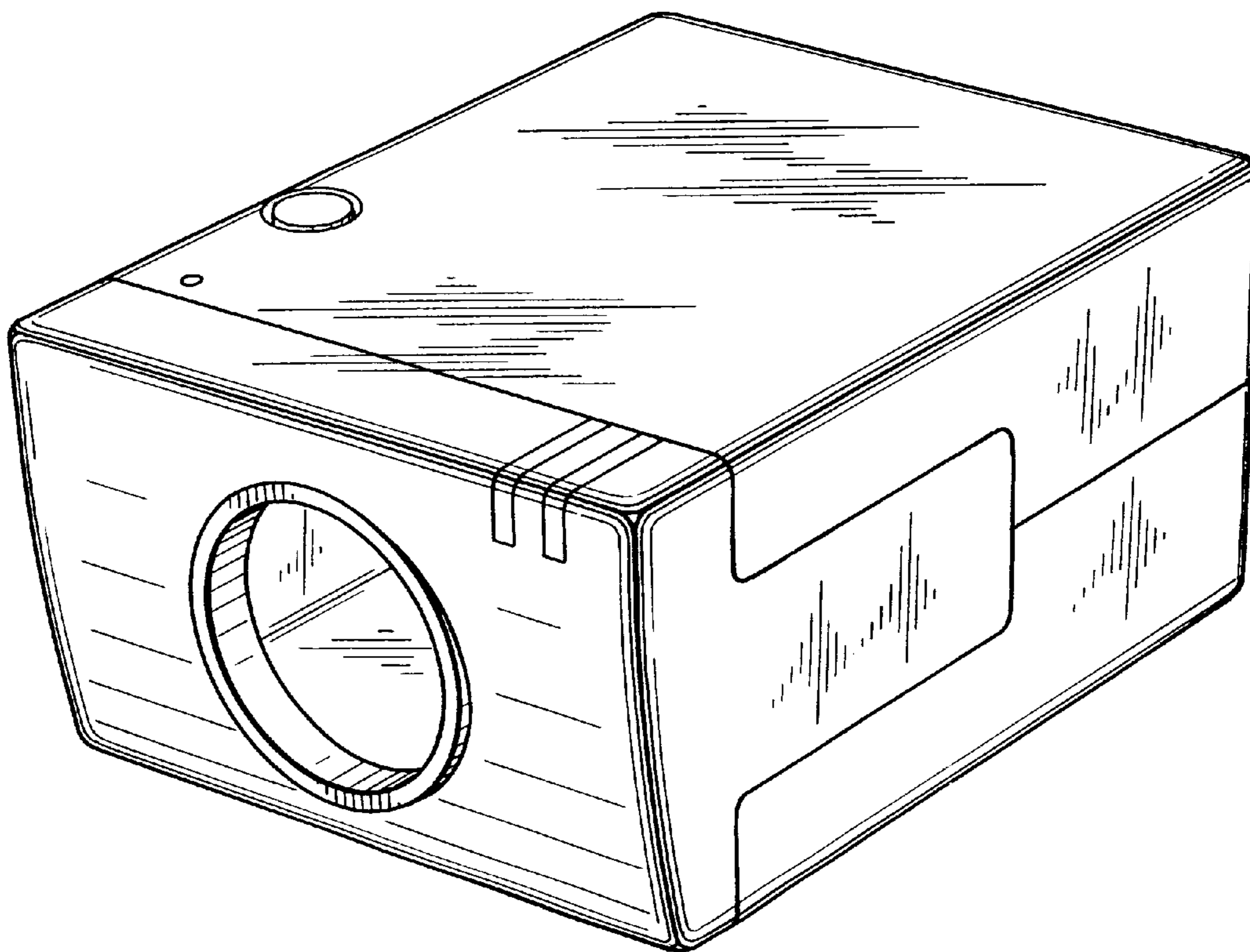


FIG. 1

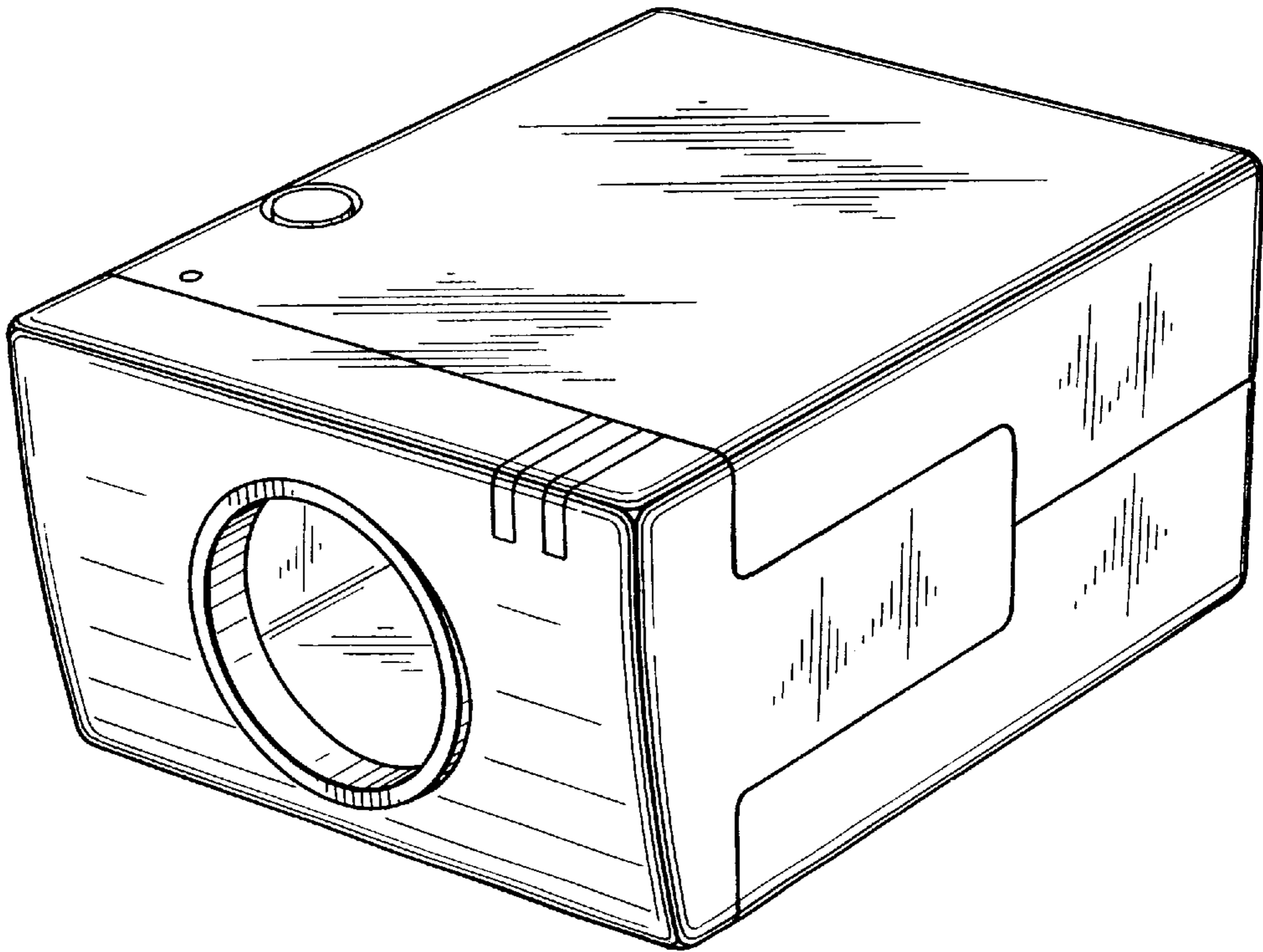


FIG. 2

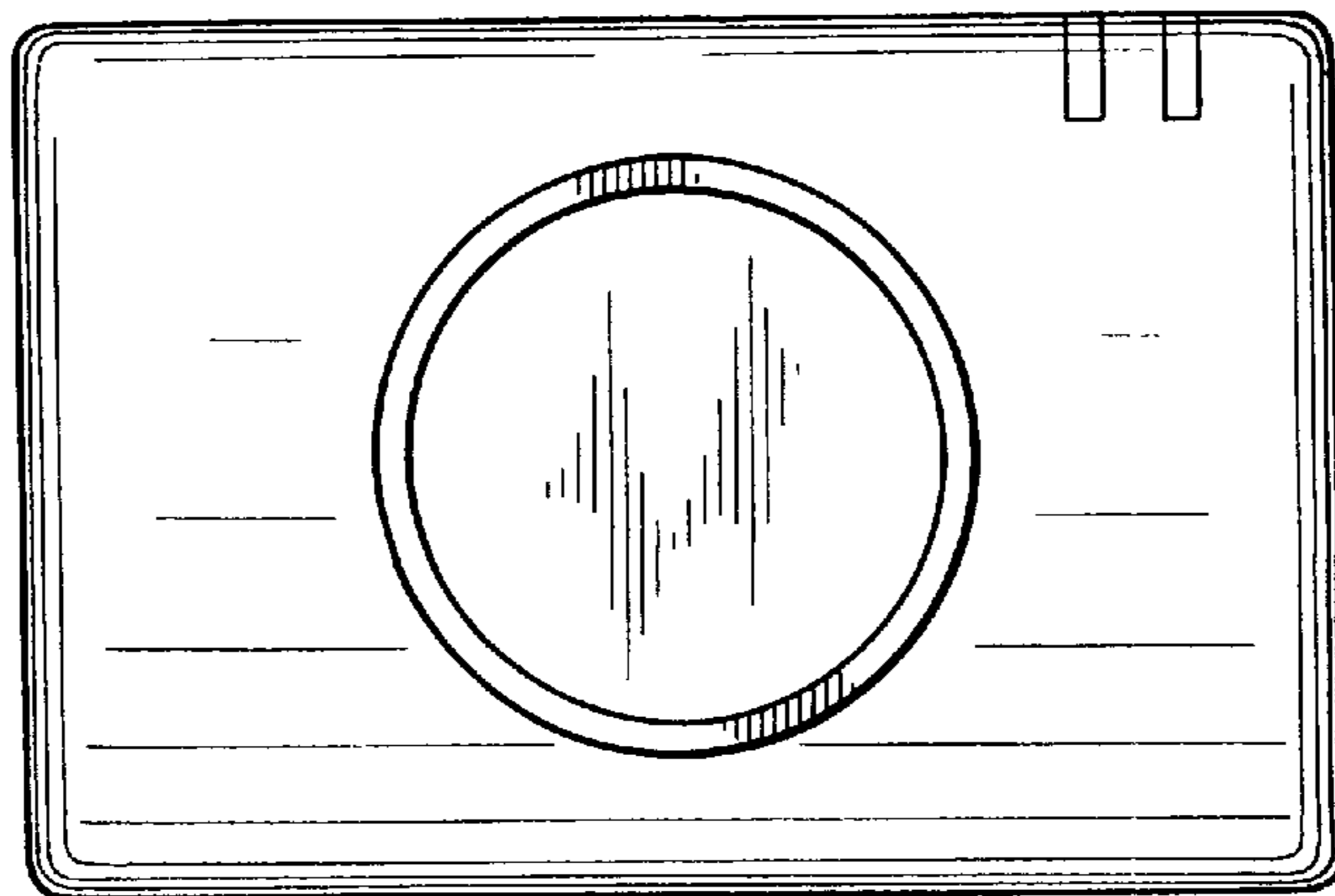


FIG. 3

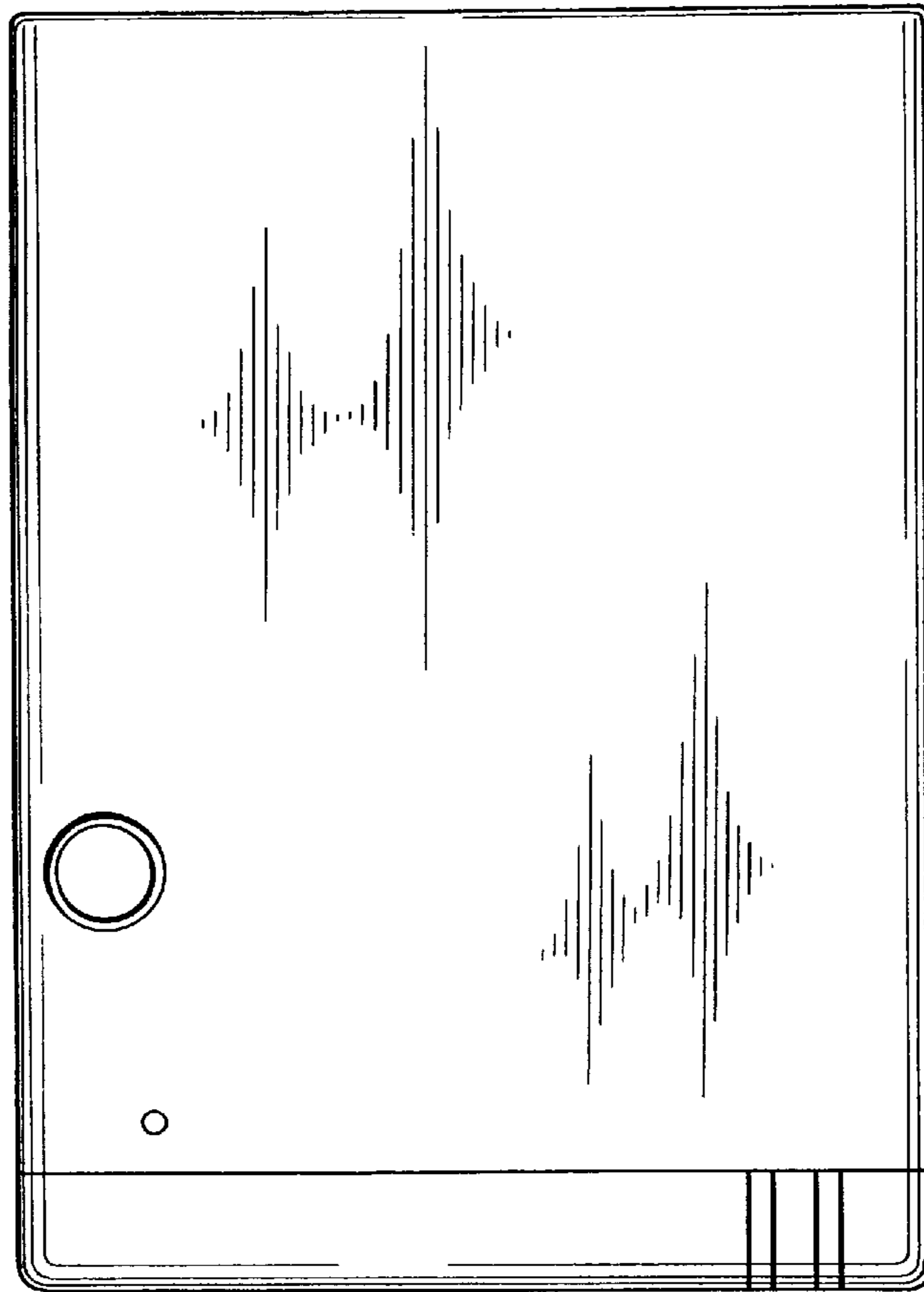


FIG. 4

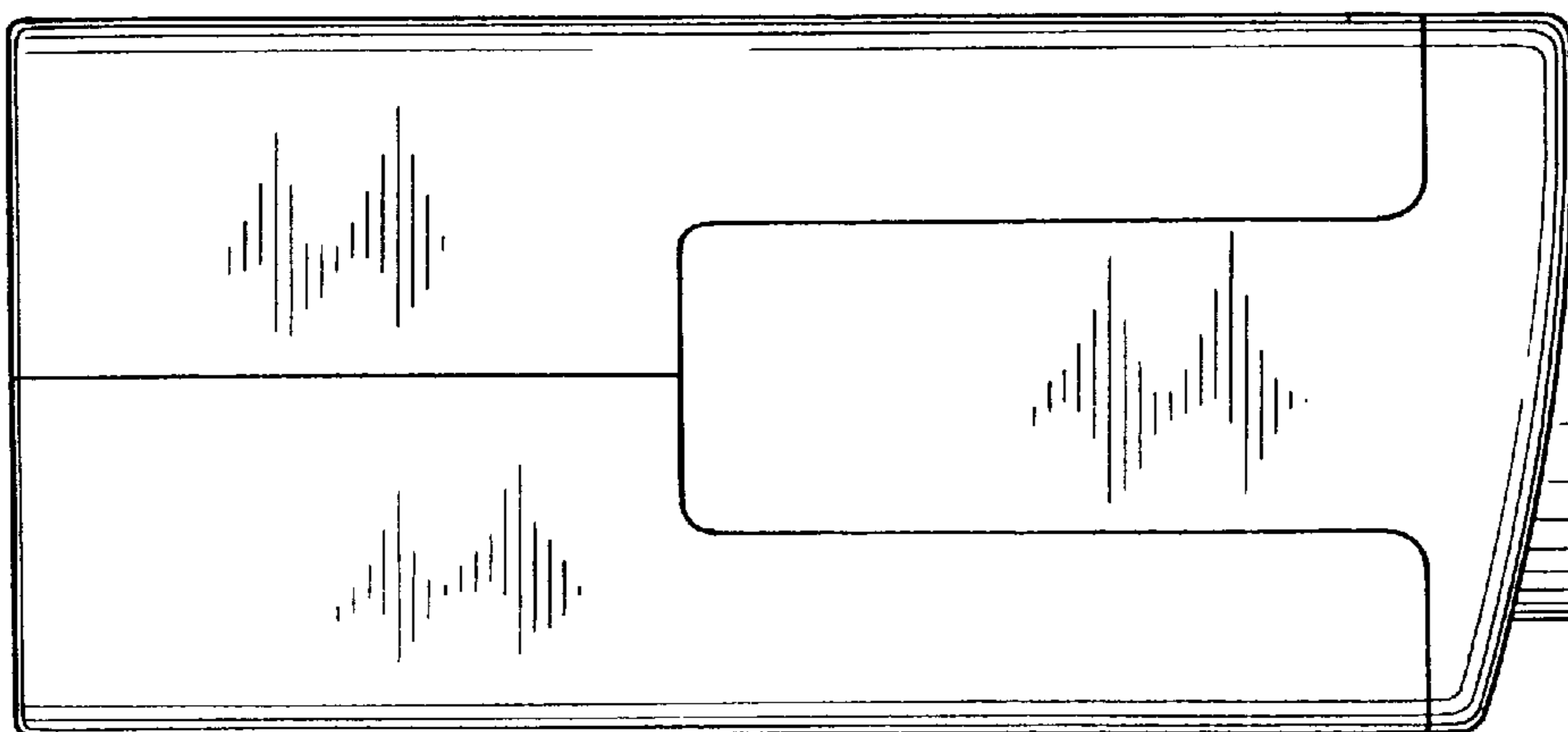


FIG. 5

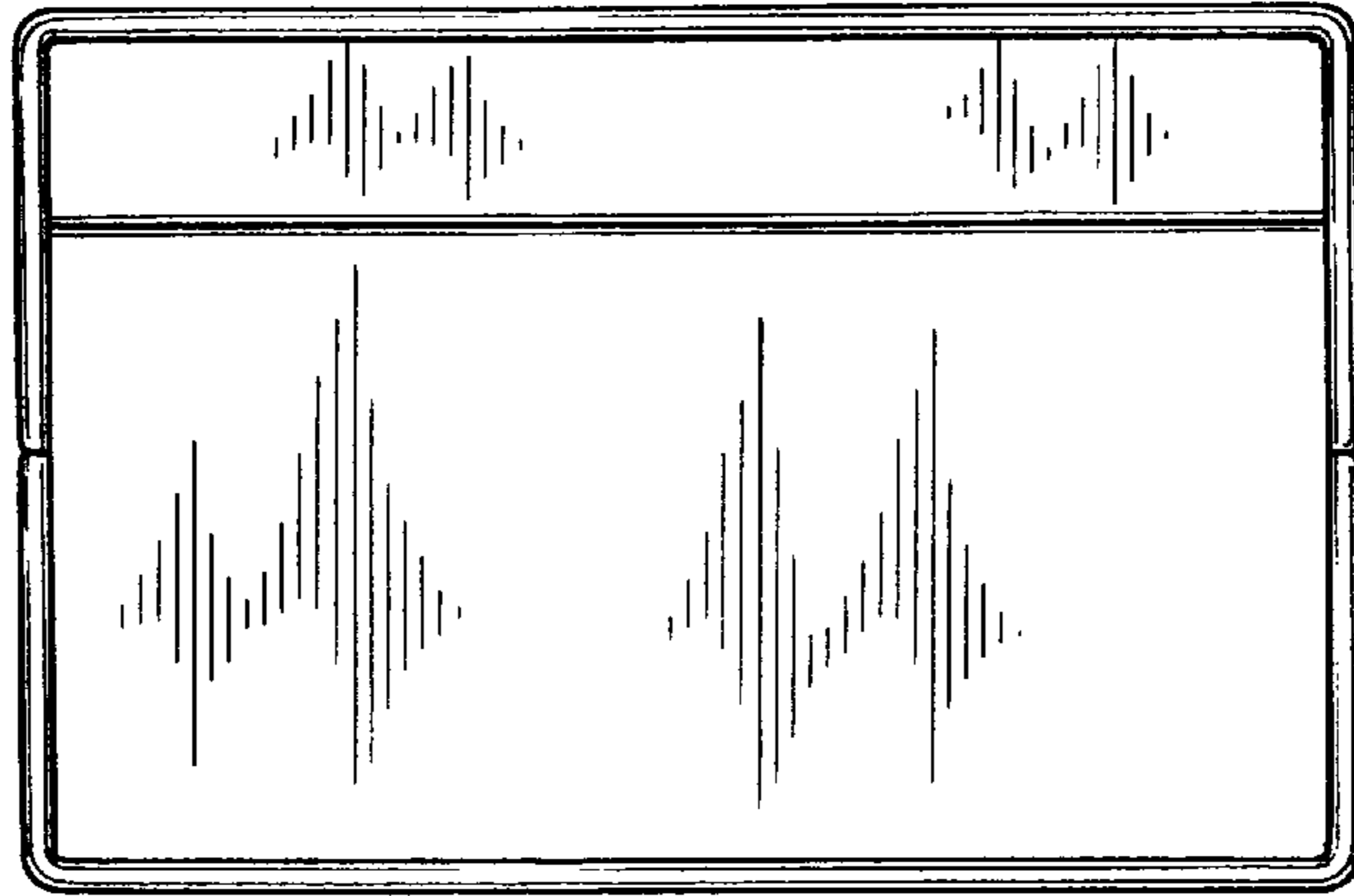


FIG. 6

