



US00D416032S

United States Patent [19]

[11] **Patent Number: Des. 416,032**

Bakshi

[45] **Date of Patent: ** Nov. 2, 1999**

[54] **VIDEO SURVEILLANCE CAMERA HOUSING**

FOREIGN PATENT DOCUMENTS

2-244879 9/1990 Japan H04N 5/225

[76] Inventor: **Rajeev K. Bakshi**, 7943 Garfield Dr., Delta, B. C., Canada, V4C 4C9

Primary Examiner—Adir Aronovich
Attorney, Agent, or Firm—Seed and Berry LLP

[**] Term: **14 Years**

[57] CLAIM

[21] Appl. No.: **29/056,503**

The ornamental design for a video surveillance camera housing, as shown and described.

[22] Filed: **Jun. 27, 1996**

DESCRIPTION

[51] **LOC (6) Cl.** **16-01**

[52] **U.S. Cl.** **D16/203**

[58] **Field of Search** D16/200-205;
D14/107, 130; 348/143, 373-376, 14-20;
379/53; 396/427, 535-543; H04N 2/225

FIG. 1 is a top, front and right side perspective view of a video surveillance camera housing showing my new design; FIG. 2 is a front elevation view thereof; FIG. 3 is a left side elevational view thereof; FIG. 4 is a rear elevational view thereof; FIG. 5 is a top plan view thereof; and, FIG. 6 is a bottom plan view thereof.

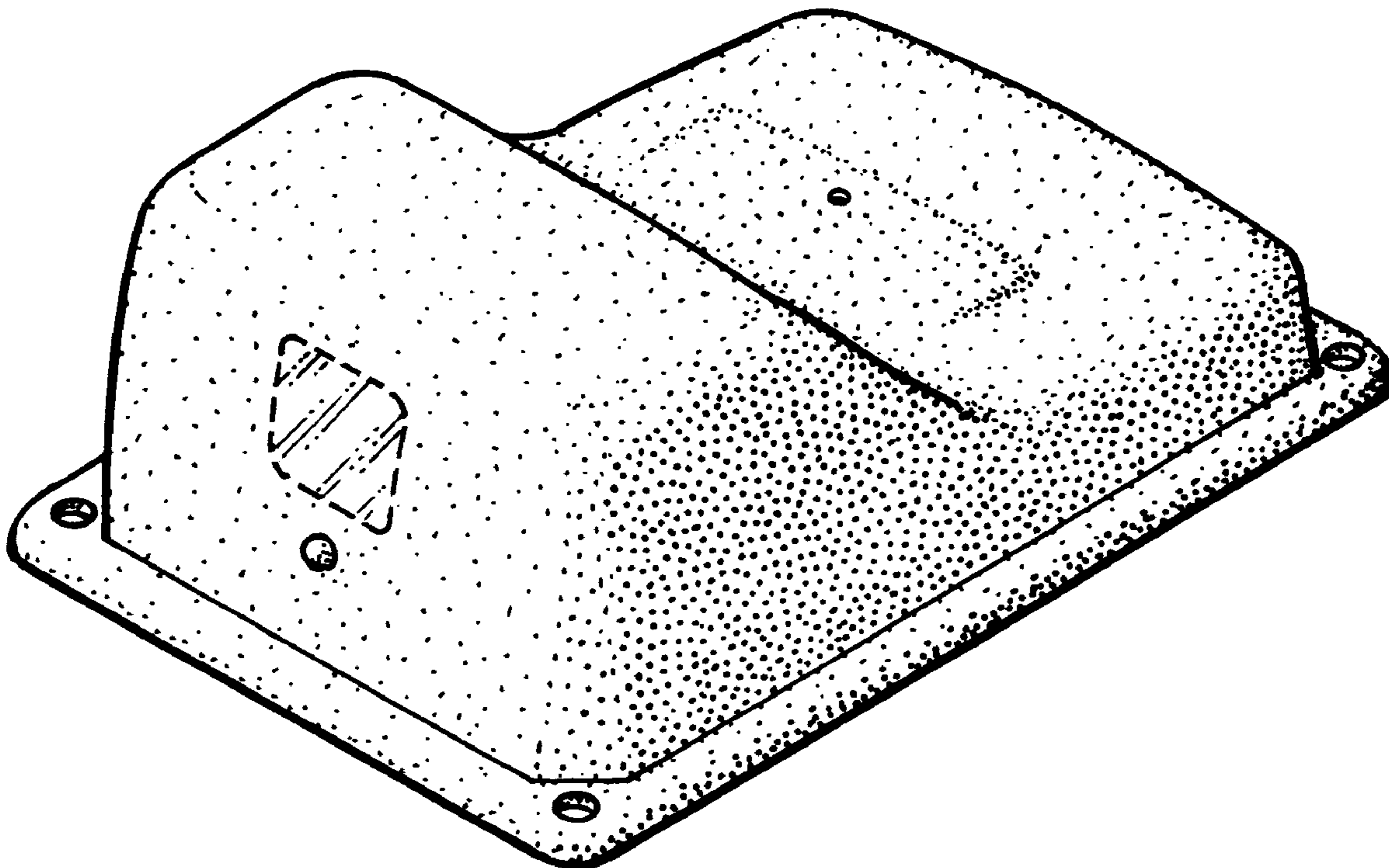
[56] References Cited

U.S. PATENT DOCUMENTS

D. 214,703	7/1969	Kiven	D16/203
D. 241,656	9/1976	Genaro et al.	D14/130
D. 339,149	9/1993	Nakamura et al.	D16/202
D. 355,921	2/1995	Crouch et al.	D16/202
4,008,372	2/1977	Ueno et al.	348/373

The broken line showing of a lens housing is for illustrative purposes only and forms no part of the claimed design. The broken lines which define the bounds of the claimed design form no part thereof.

1 Claim, 1 Drawing Sheet



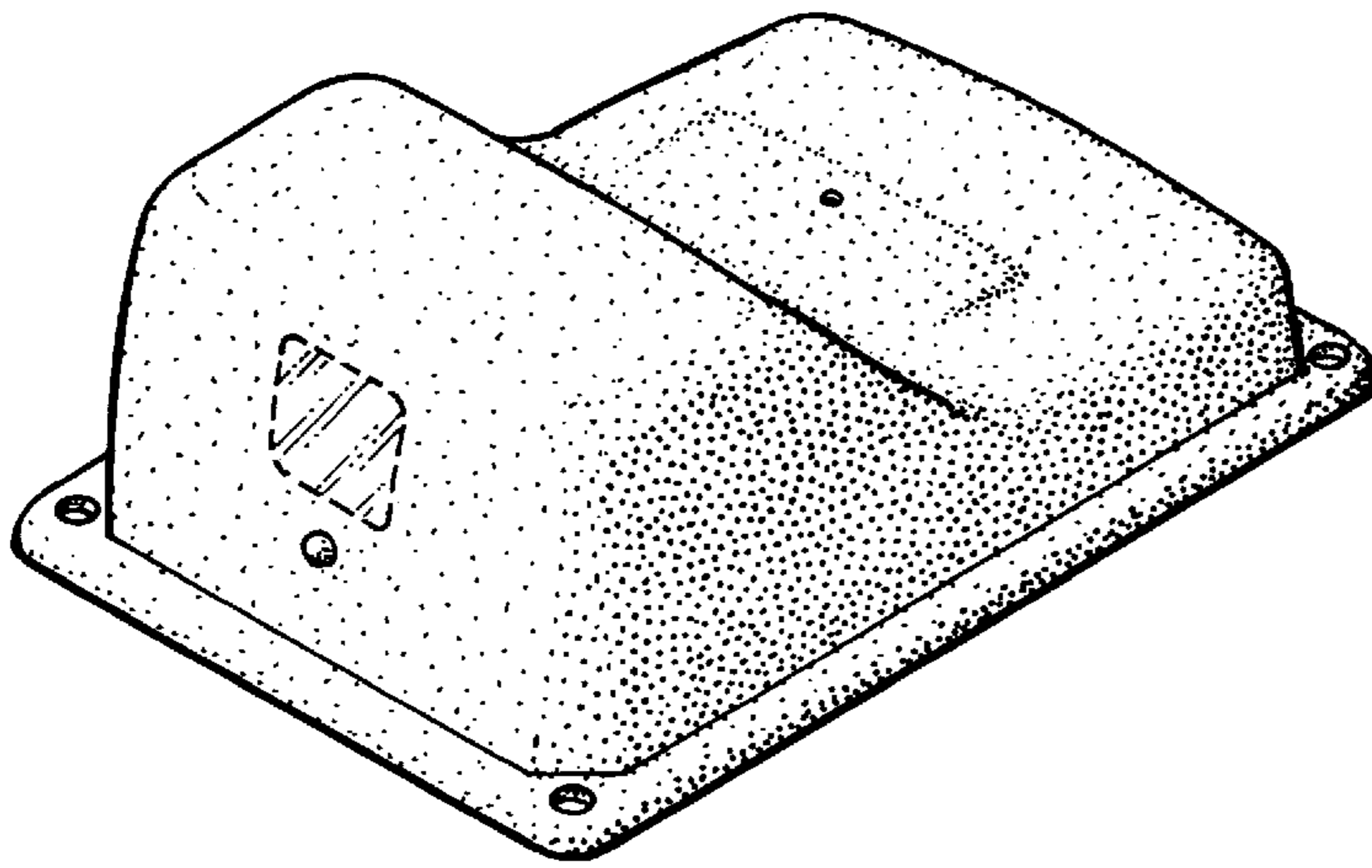


FIG. 1

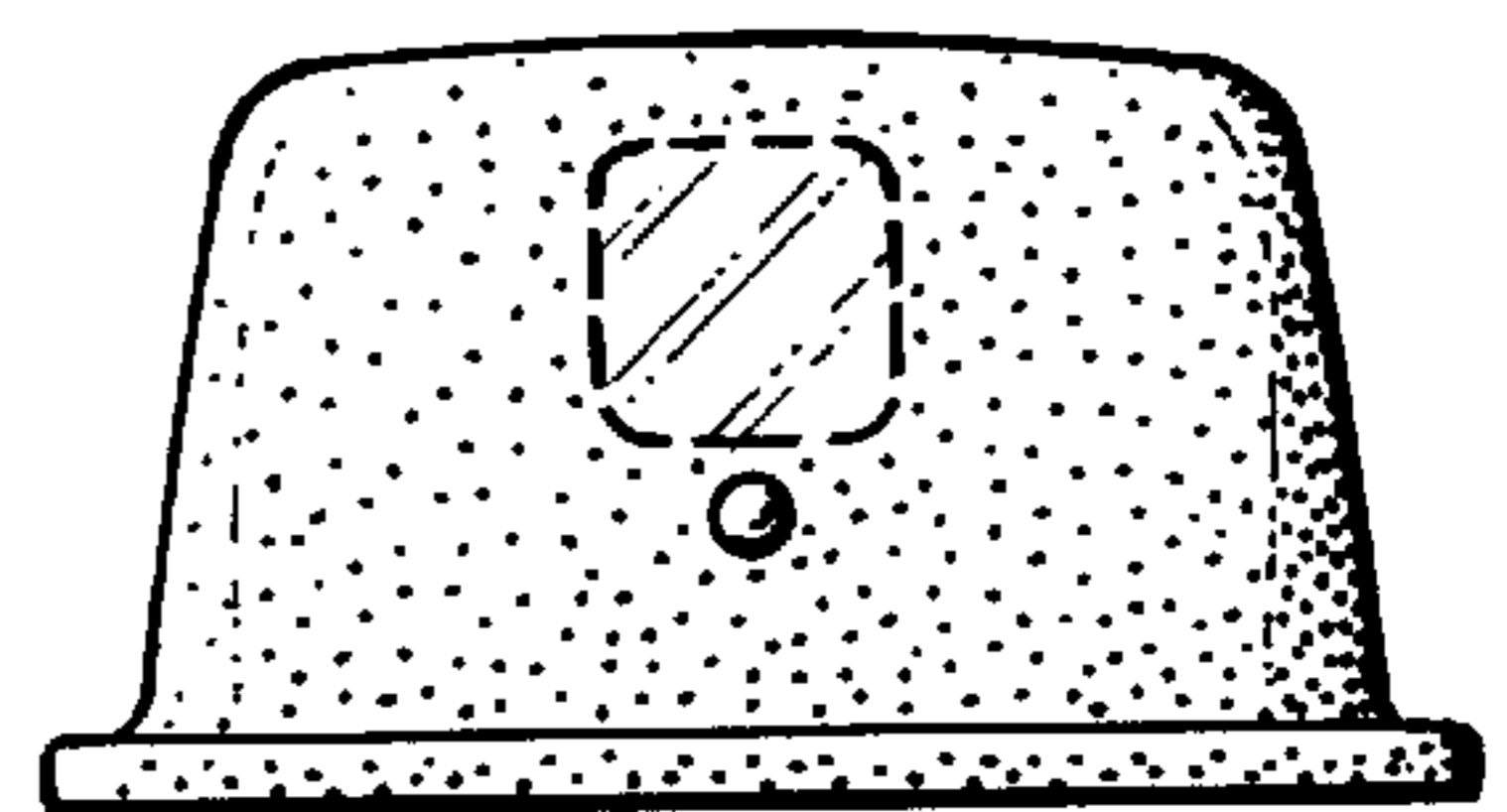


FIG. 2

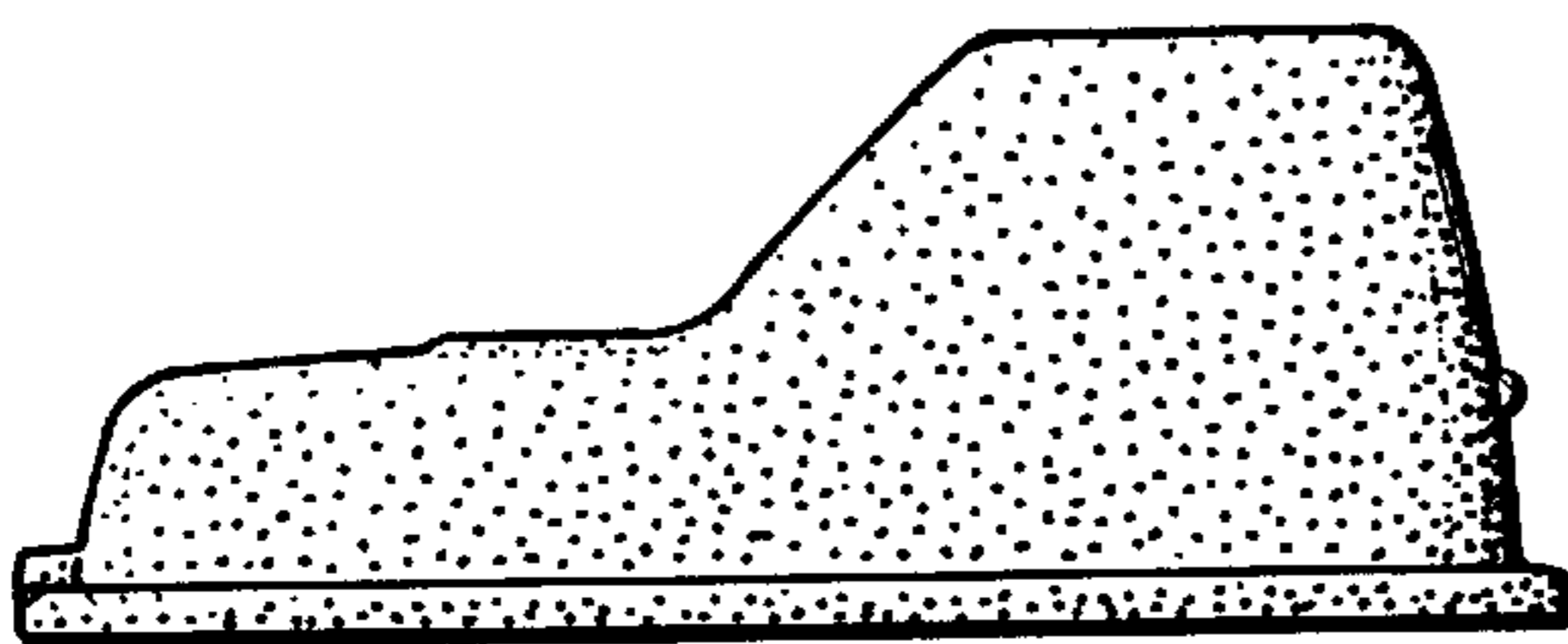


FIG. 3

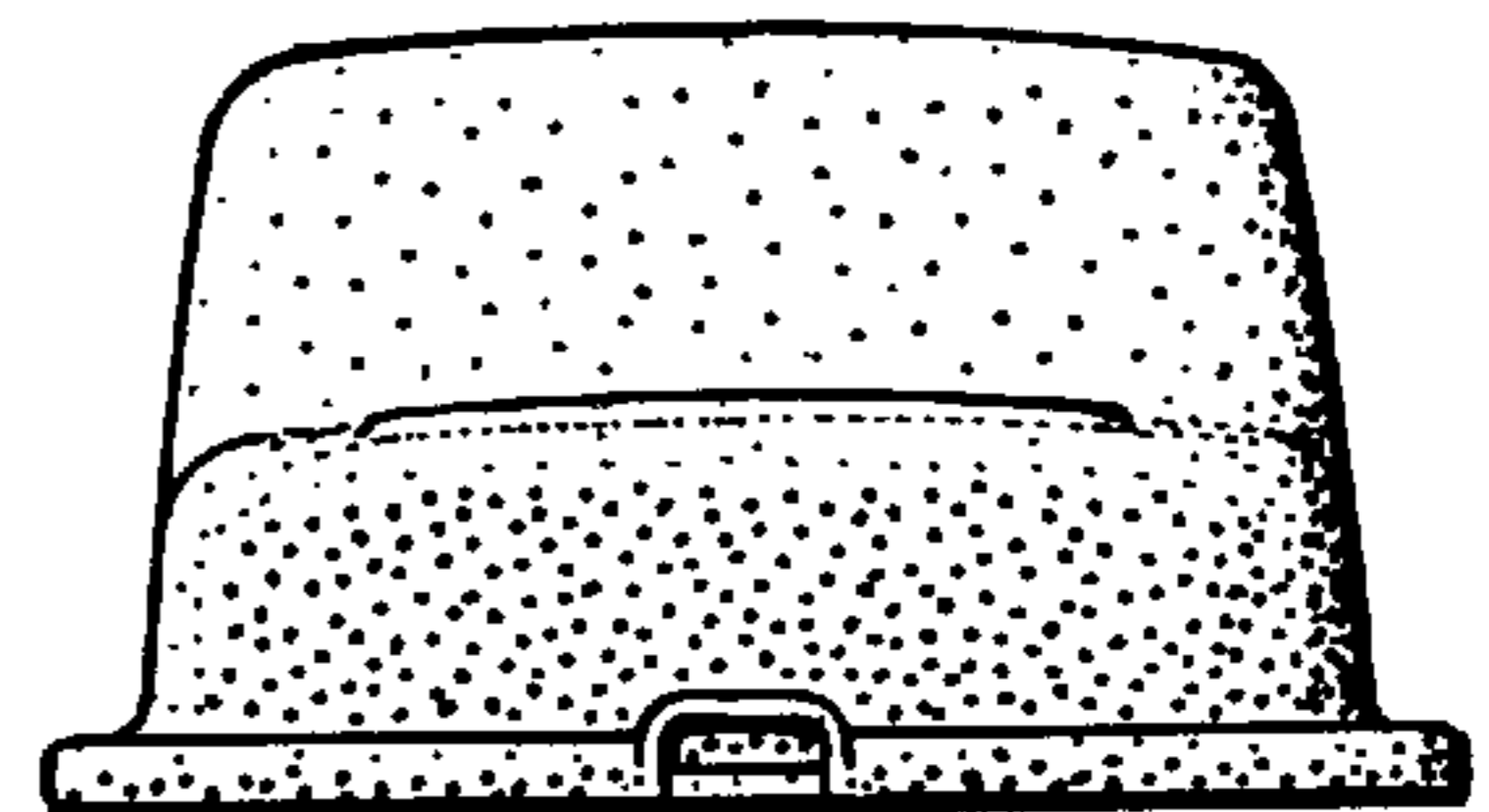


FIG. 4

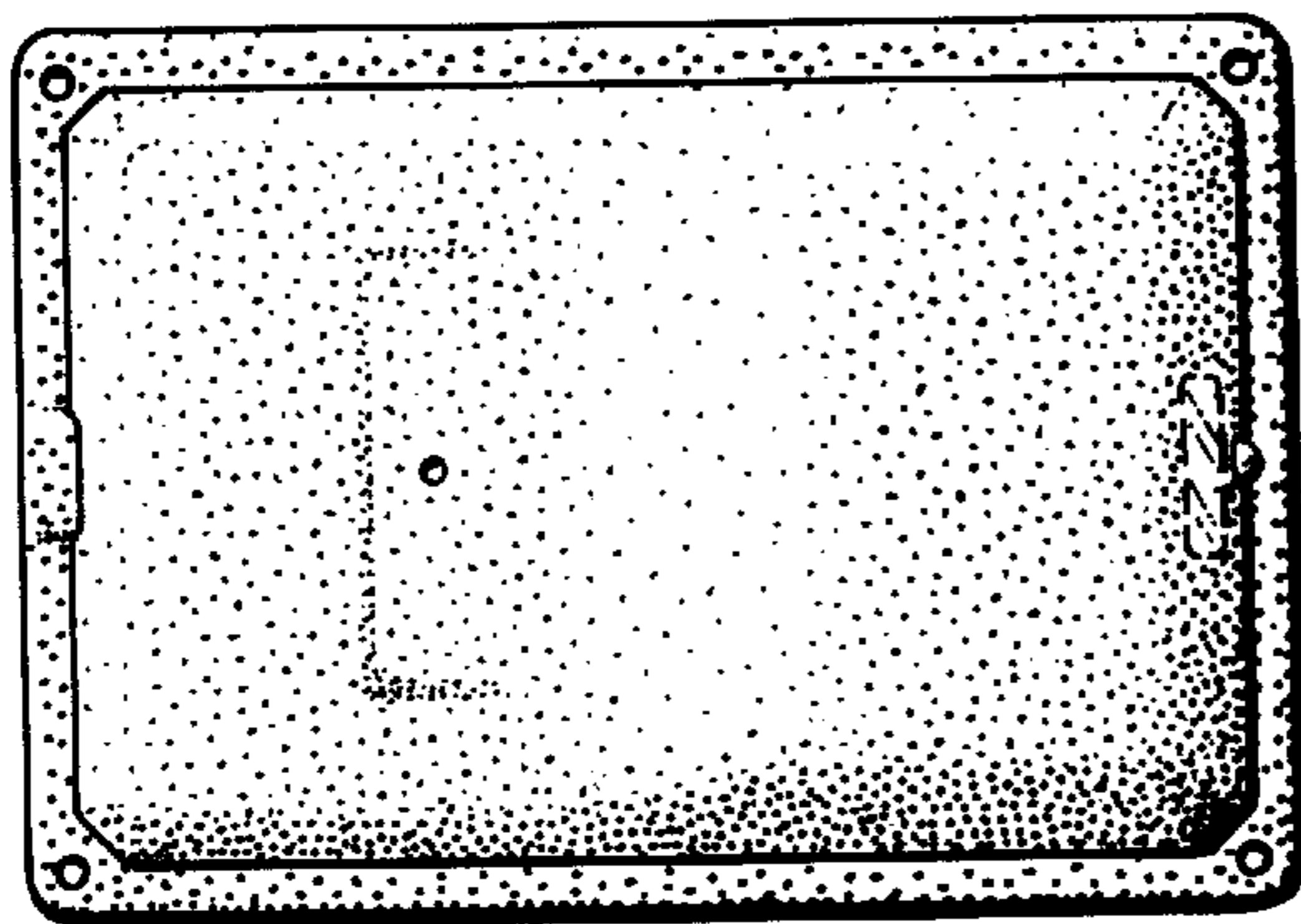


FIG. 5

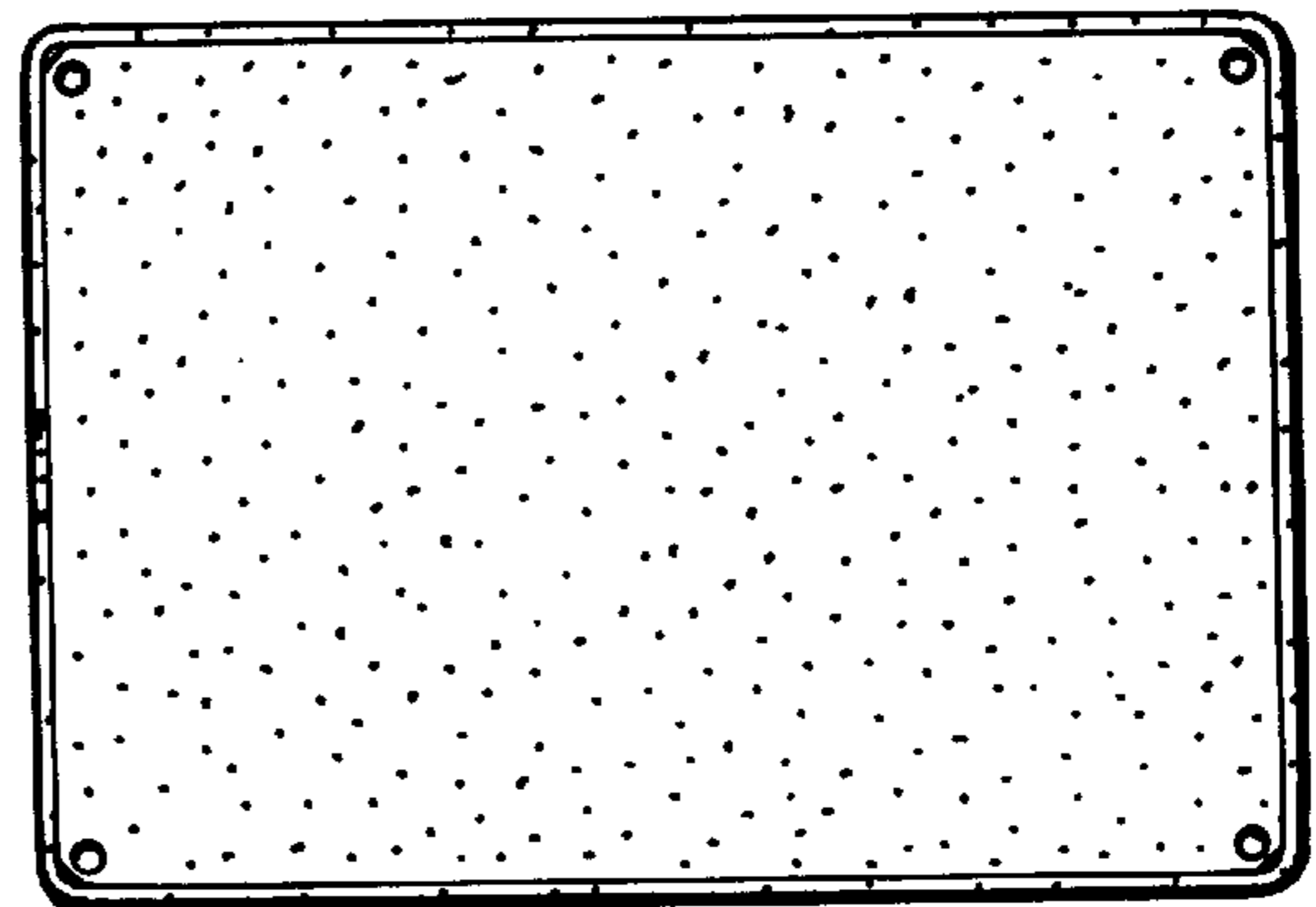


FIG. 6