



US00D416031S

United States Patent [19]
Tanaka

[11] **Patent Number: Des. 416,031**

[45] **Date of Patent: ** Nov. 2, 1999**

[54] **VIDEO CAMERA WITH VIDEO TAPE RECORDER**

[75] Inventor: **Chifuyu Tanaka**, Tokyo, Japan

[73] Assignee: **Canon Kabushiki Kaisha**, Tokyo, Japan

[**] Term: **14 Years**

[21] Appl. No.: **29/097,675**

[22] Filed: **Dec. 11, 1998**

[30] **Foreign Application Priority Data**

Jun. 19, 1998 [JP] Japan 10-017775

[51] **LOC (6) Cl.** **16-01**

[52] **U.S. Cl.** **D16/202**

[58] **Field of Search** D16/200-208;
348/373-376; 352/242, 243; 358/906; 396/535-543

[56] **References Cited**

U.S. PATENT DOCUMENTS

D. 355,664 2/1995 Kataoka D16/202
D. 368,922 4/1996 Tanaka D16/202

D. 376,166 12/1996 Ishii D16/202
D. 377,941 2/1997 Tanaka D16/202
D. 380,764 7/1997 Ishii D16/202
D. 388,106 12/1997 Tanaka D16/202
D. 404,047 1/1999 Ishii D16/202
5,444,507 8/1995 Palmer 396/544
5,499,052 3/1996 Nakanishi et al. 348/373

Primary Examiner—Adir Aronovich
Attorney, Agent, or Firm—Fitzpatrick, Cella, Harper & Scinto

[57] **CLAIM**

The ornamental design for a video camera with video tape recorder, as shown and described.

DESCRIPTION

FIG. 1 is a front view of a video camera with video tape recorder showing my new design;
FIG. 2 is a rear view thereof;
FIG. 3 is a top plan view thereof;
FIG. 4 is a bottom plan view thereof;
FIG. 5 is a left side view thereof;
FIG. 6 is a right side view thereof; and,
FIG. 7 is a perspective view thereof.

1 Claim, 5 Drawing Sheets

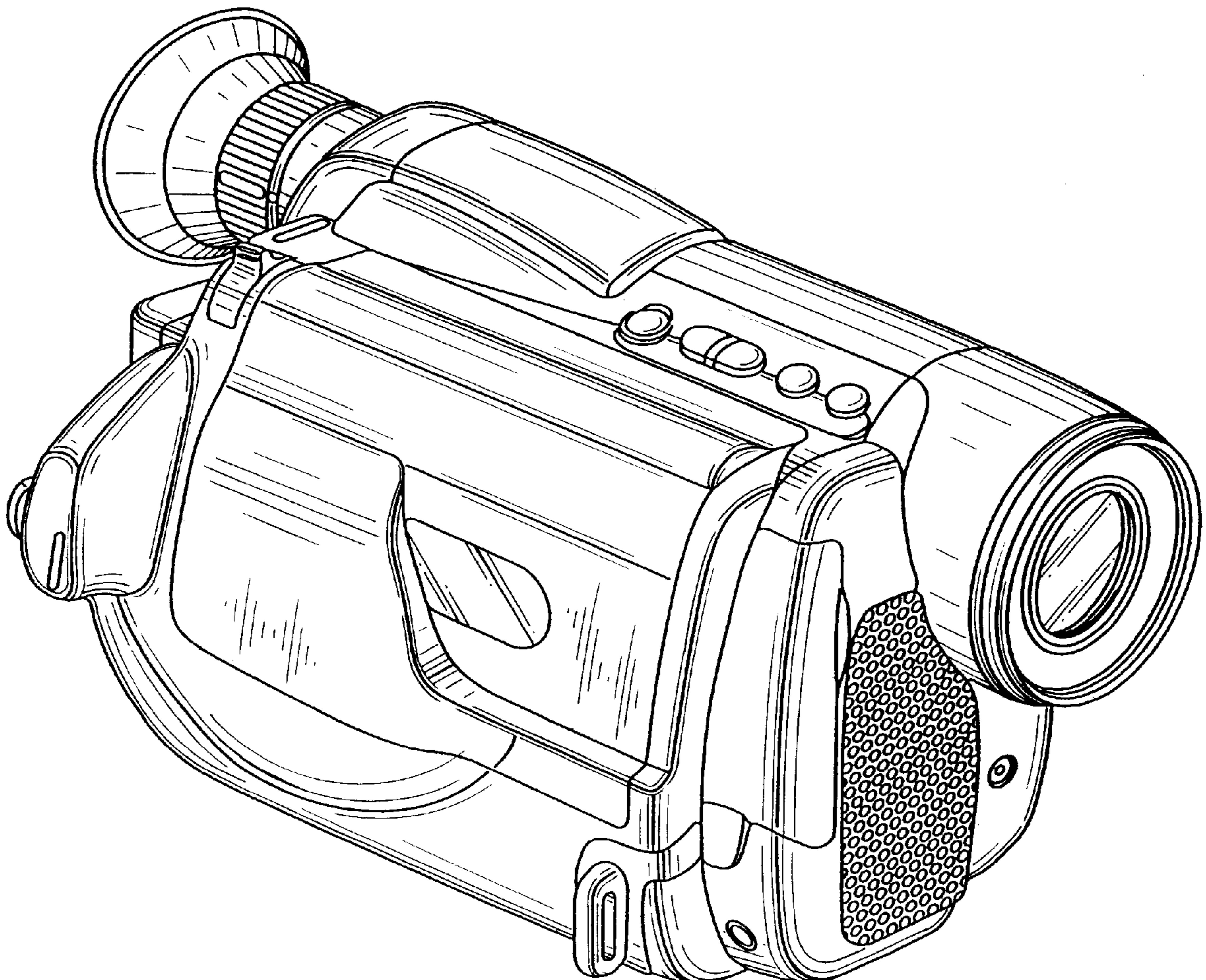


FIG. 1

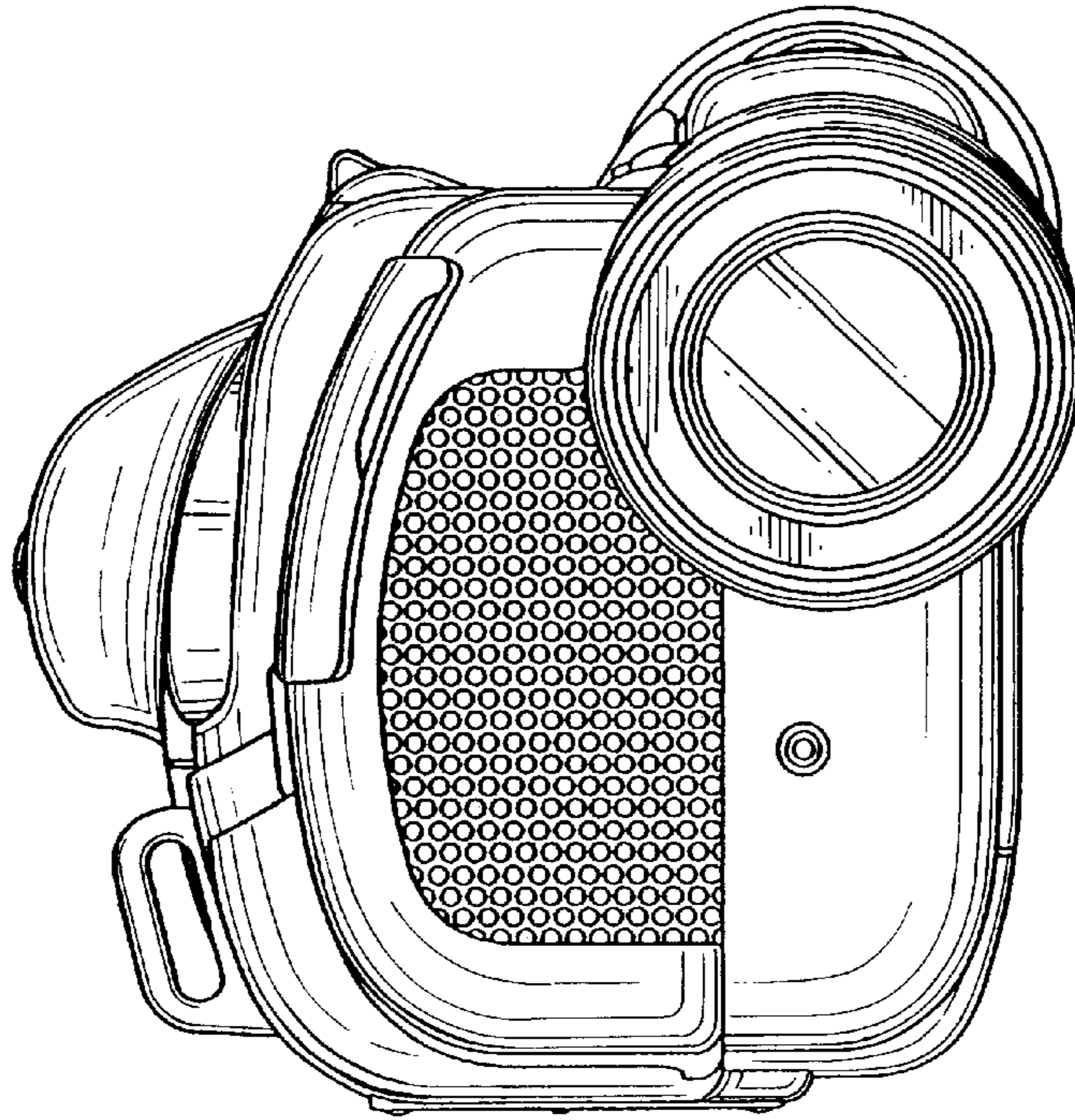


FIG. 2

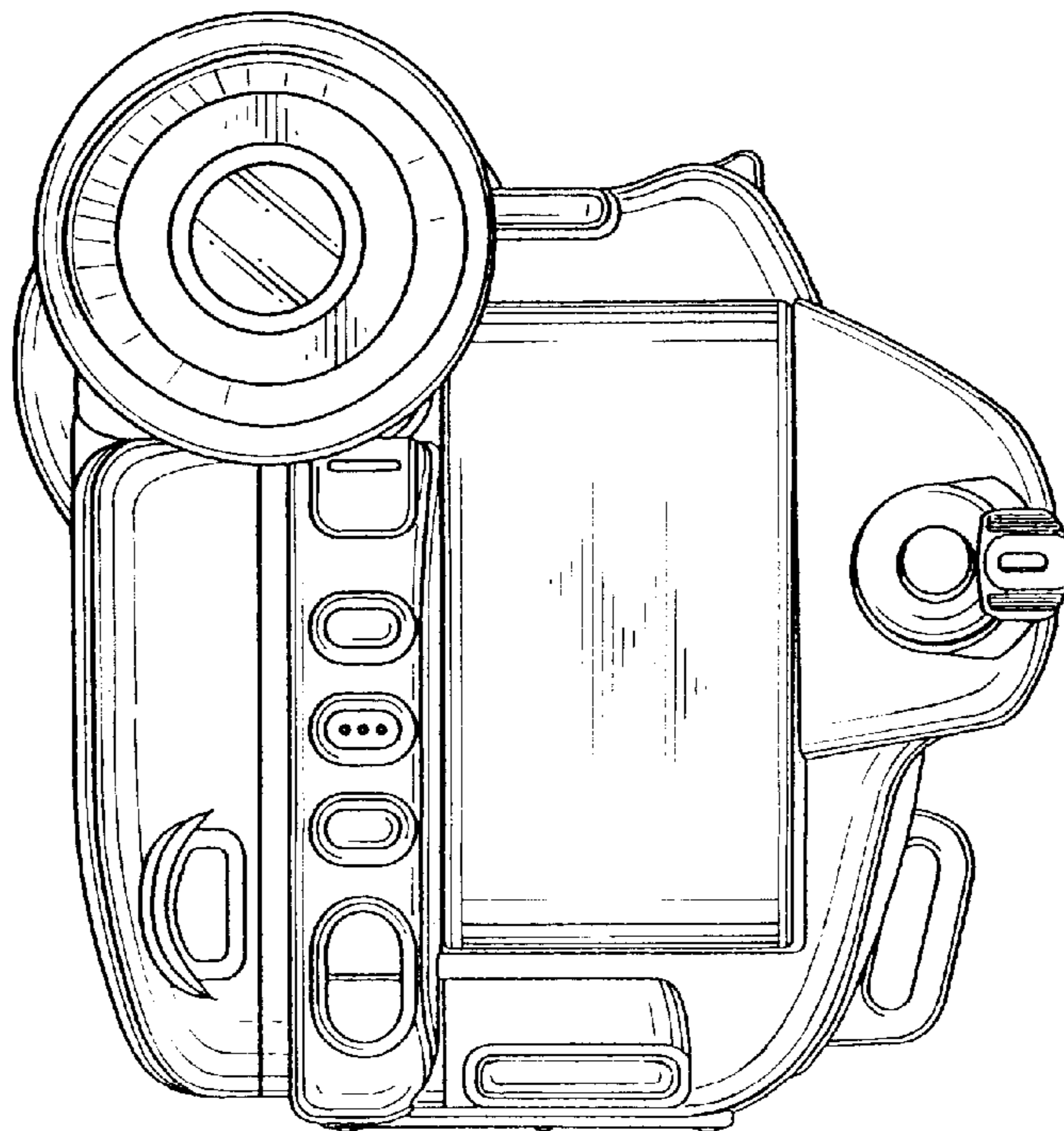


FIG. 3

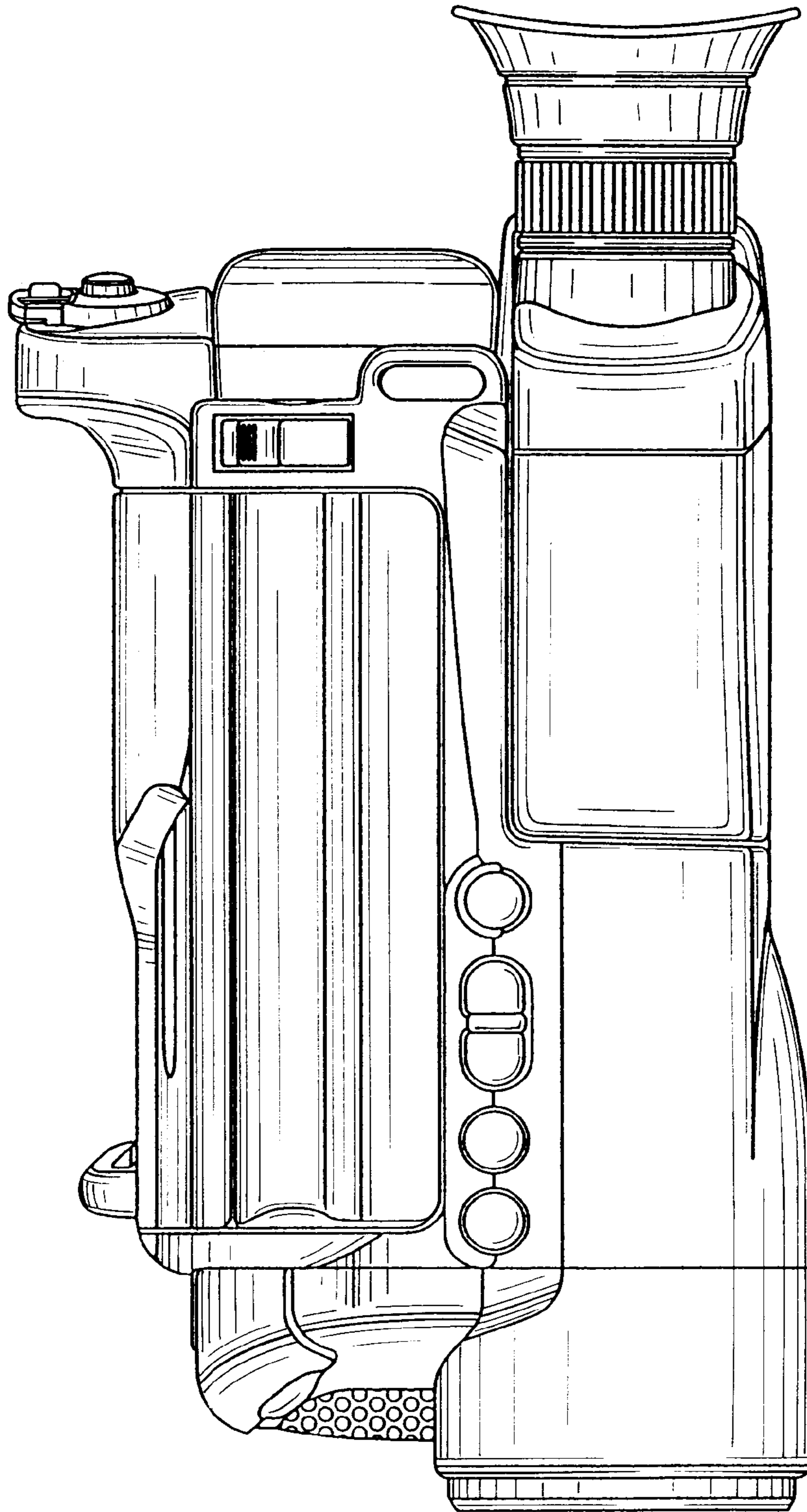


FIG. 4

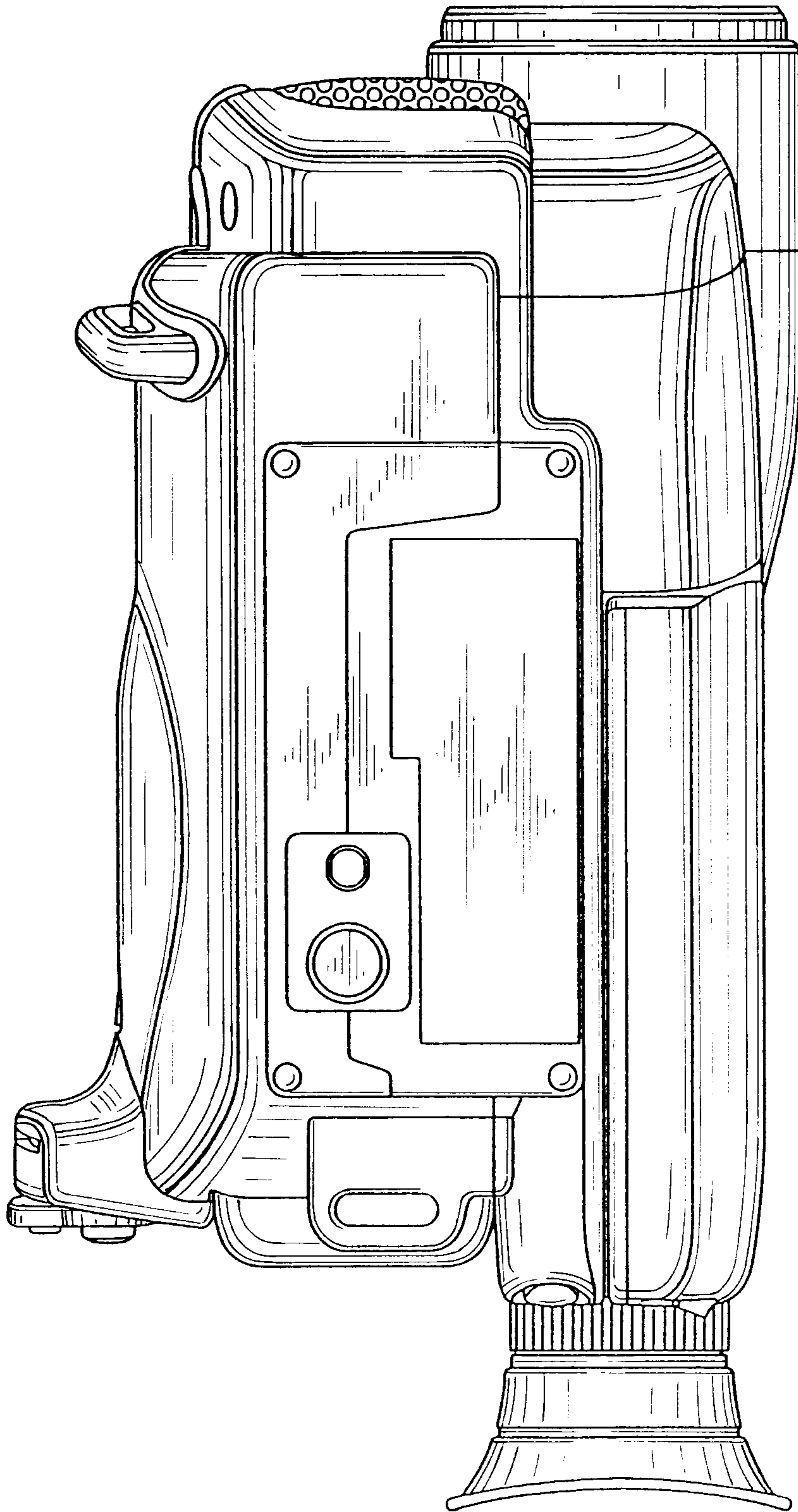


FIG. 5

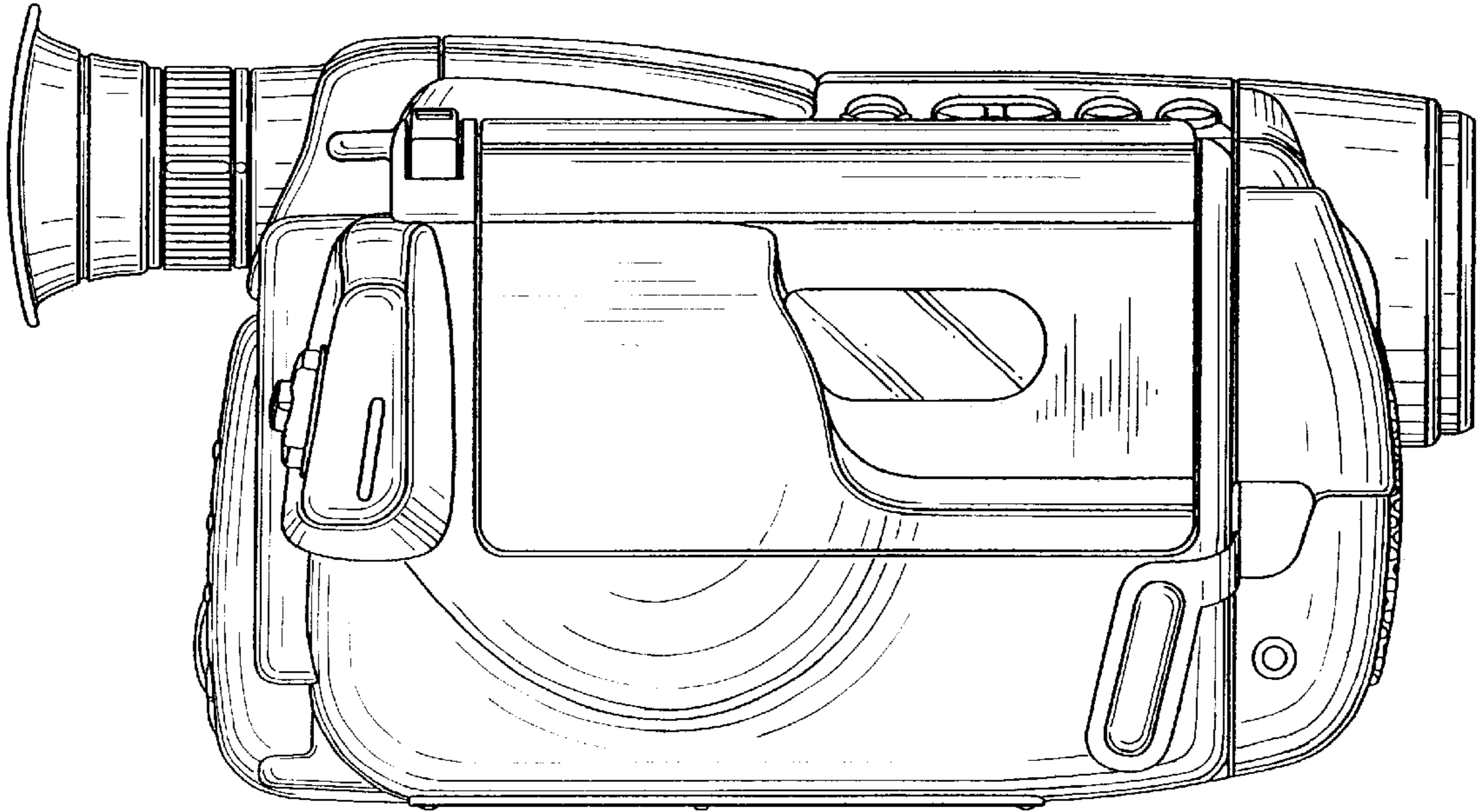


FIG. 6

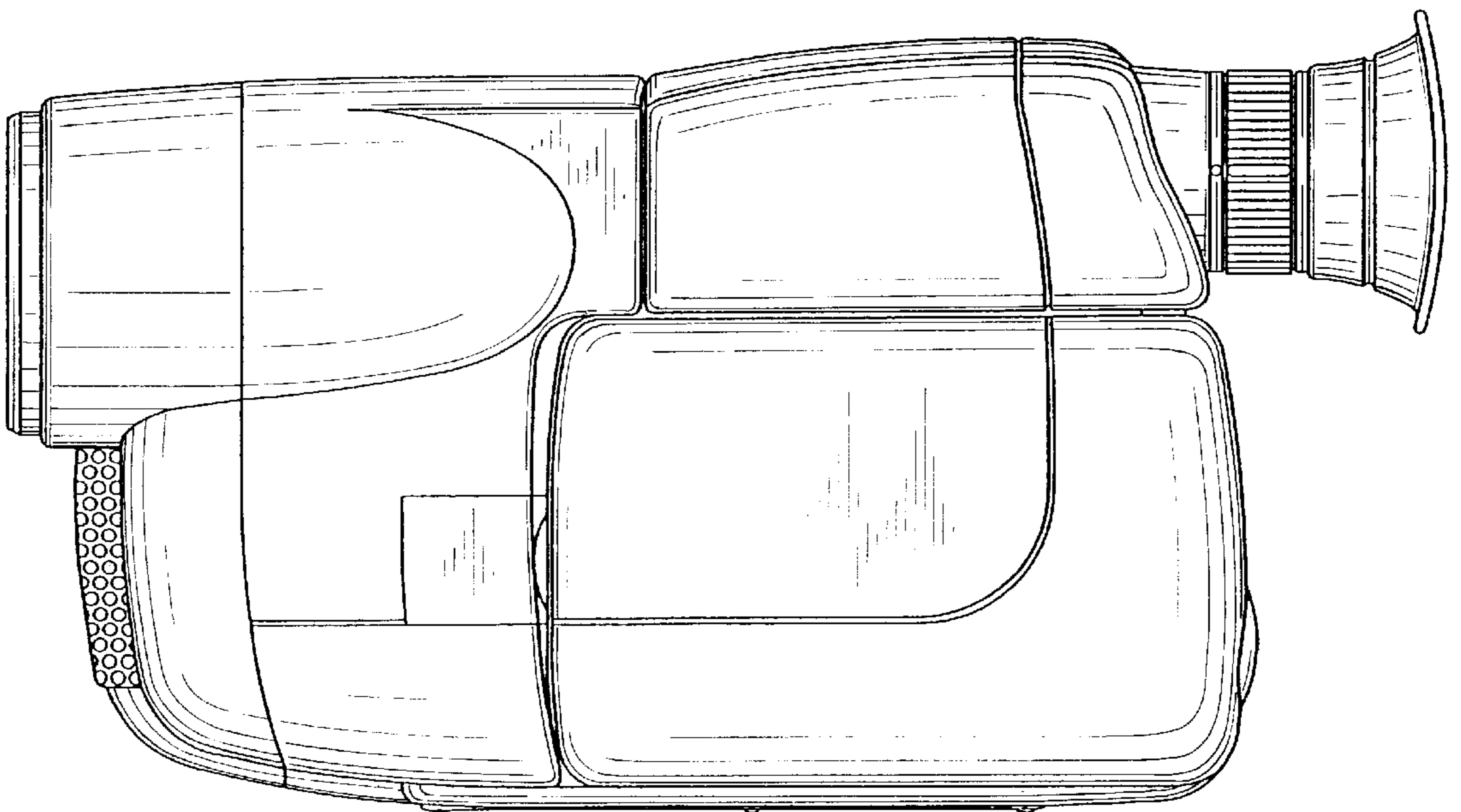


FIG. 7

