



US00D416030S

United States Patent [19]

[11] **Patent Number: Des. 416,030**

Weller et al.

[45] **Date of Patent: ** Nov. 2, 1999**

[54] **PORTABLE WELDER**

OTHER PUBLICATIONS

[75] Inventors: **William P. Weller**, Minneapolis; **Curt Deiner**; **Steven R. Hawkins**, both of Burnsville, all of Minn.

Southco Fasteners, Handbook 40, Section K, pp. K-2, K-3, K-4, K-5 and K-6 (1990).

Primary Examiner—Antoine Duval Davis
Attorney, Agent, or Firm—Merchant & Gould P.C.

[73] Assignee: **Century Manufacturing Company**, Minneapolis, Minn.

[57] **CLAIM**

[**] Term: **14 Years**

The ornamental design for a portable welder, as shown and described.

[21] Appl. No.: **29/084,590**

DESCRIPTION

[22] Filed: **Mar. 5, 1998**

FIG. 1 is a top, front, left side perspective view of the portable welder wherein the metal inert gas gun and hose are illustrated in dotted lines for illustration purposes only and are not part of the claimed design;

[51] **LOC (6) Cl.** **15-09**

[52] **U.S. Cl.** **D15/144.1**

[58] **Field of Search** D15/144; 219/69.11, 219/69.14, 69.16, 130.1; 228/1.1, 44.7, 56.5

FIG. 2 is a front elevational view thereof;

FIG. 3 is a back elevational view thereof;

FIG. 4 is a top elevational view thereof;

FIG. 5 is a bottom elevational view thereof;

FIG. 6 is a left side elevational view thereof; and,

FIG. 7 is a right side elevational view thereof.

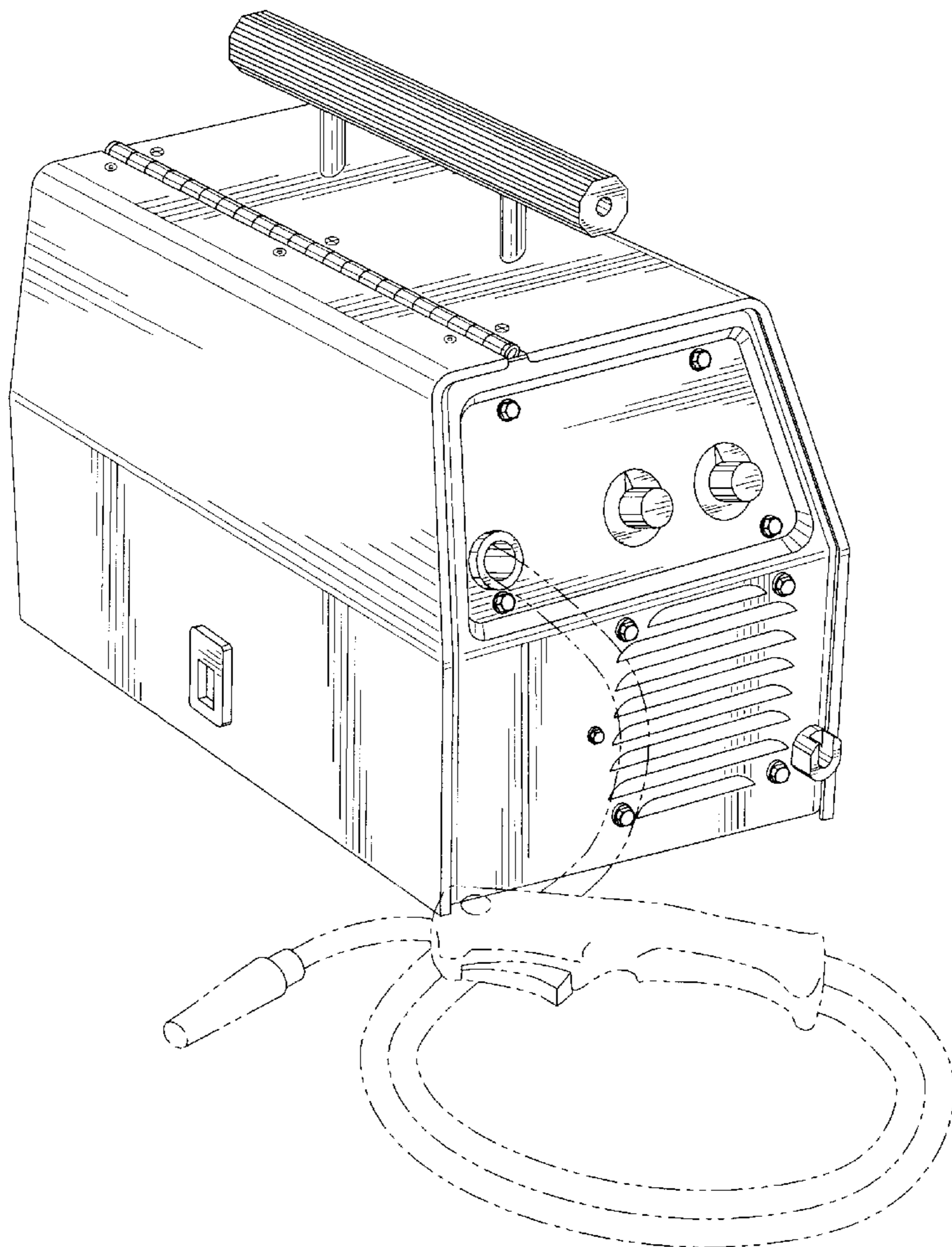
The gas line input and the power input are shown in FIGS. 3-7 as dotted lines for illustration purposes only and are not part of the claimed design.

[56] **References Cited**

U.S. PATENT DOCUMENTS

D. 357,927	5/1995	Soderholm	D15/144.1
3,425,729	2/1969	Bisbing	.	
5,831,240	11/1998	Katooka et al.	219/130.1

1 Claim, 6 Drawing Sheets



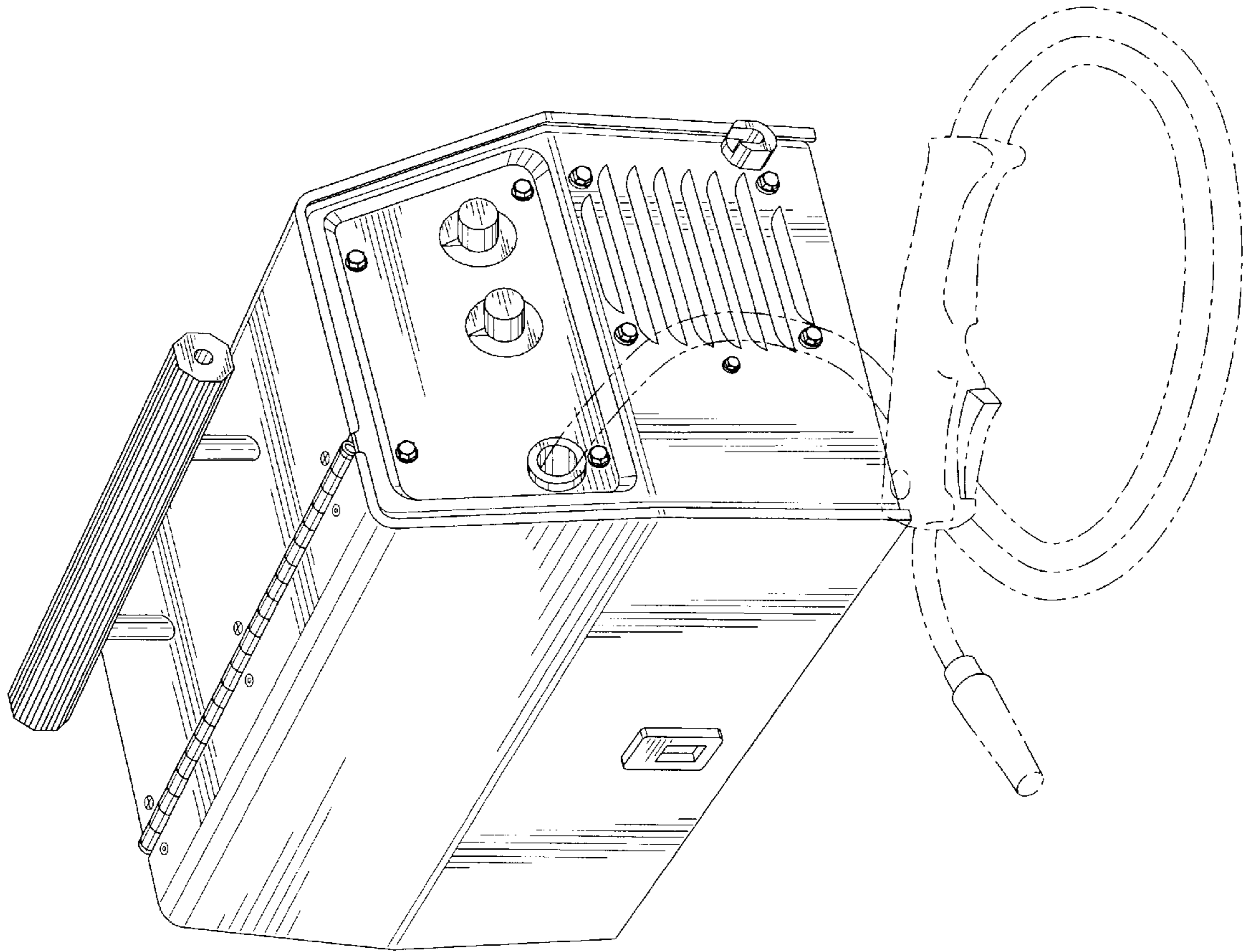


FIG. 1

FIG. 3

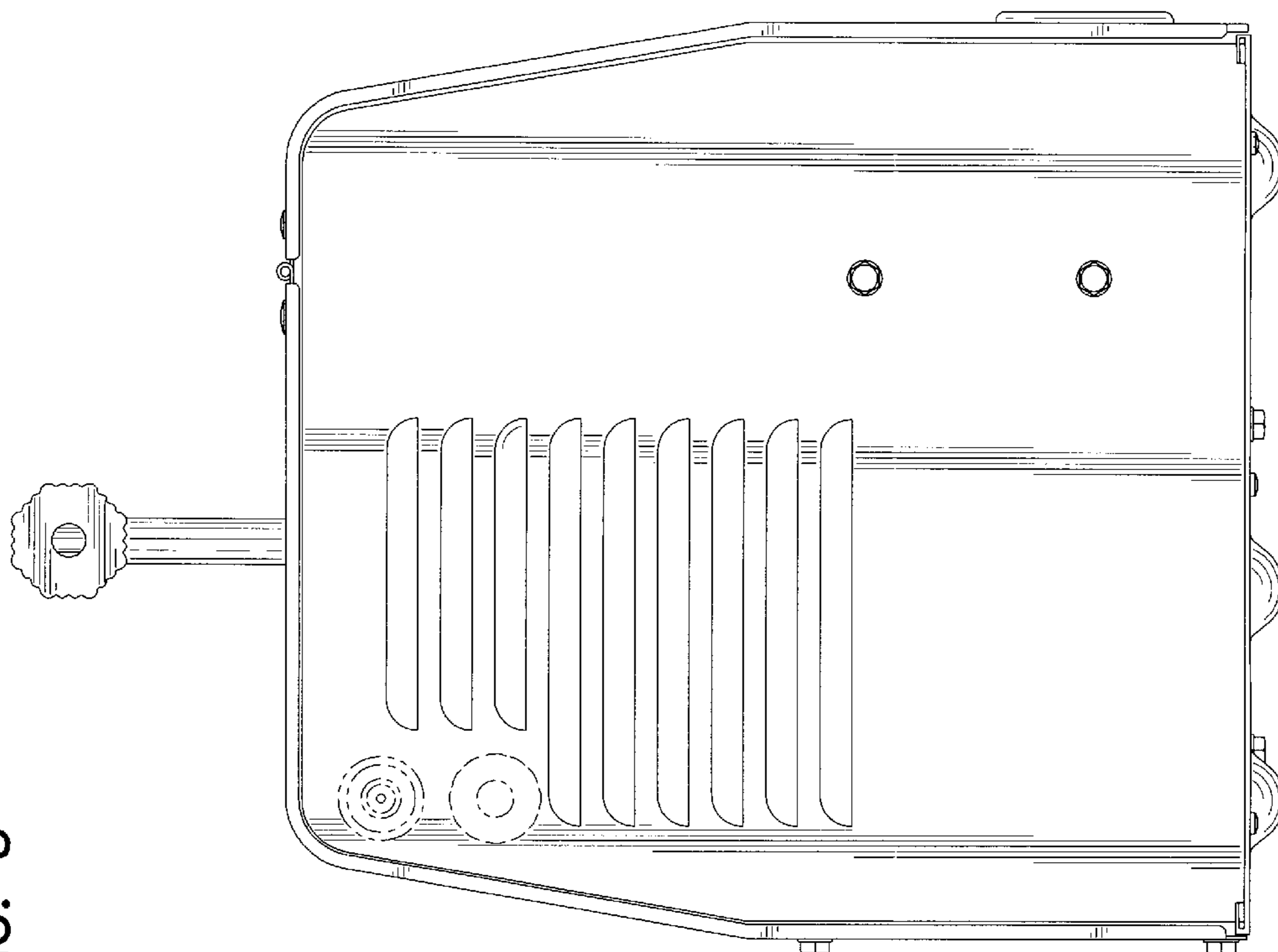
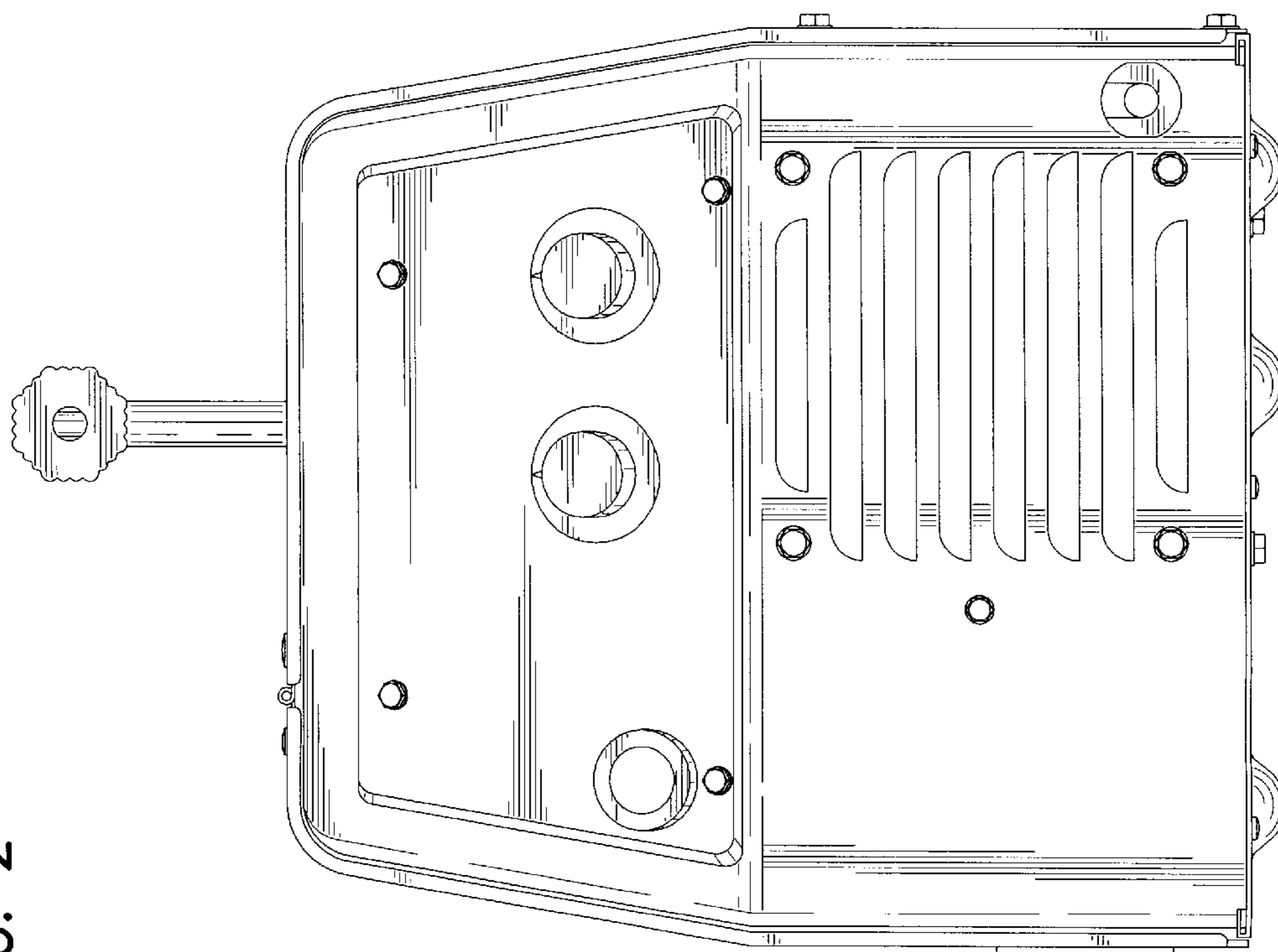


FIG. 2



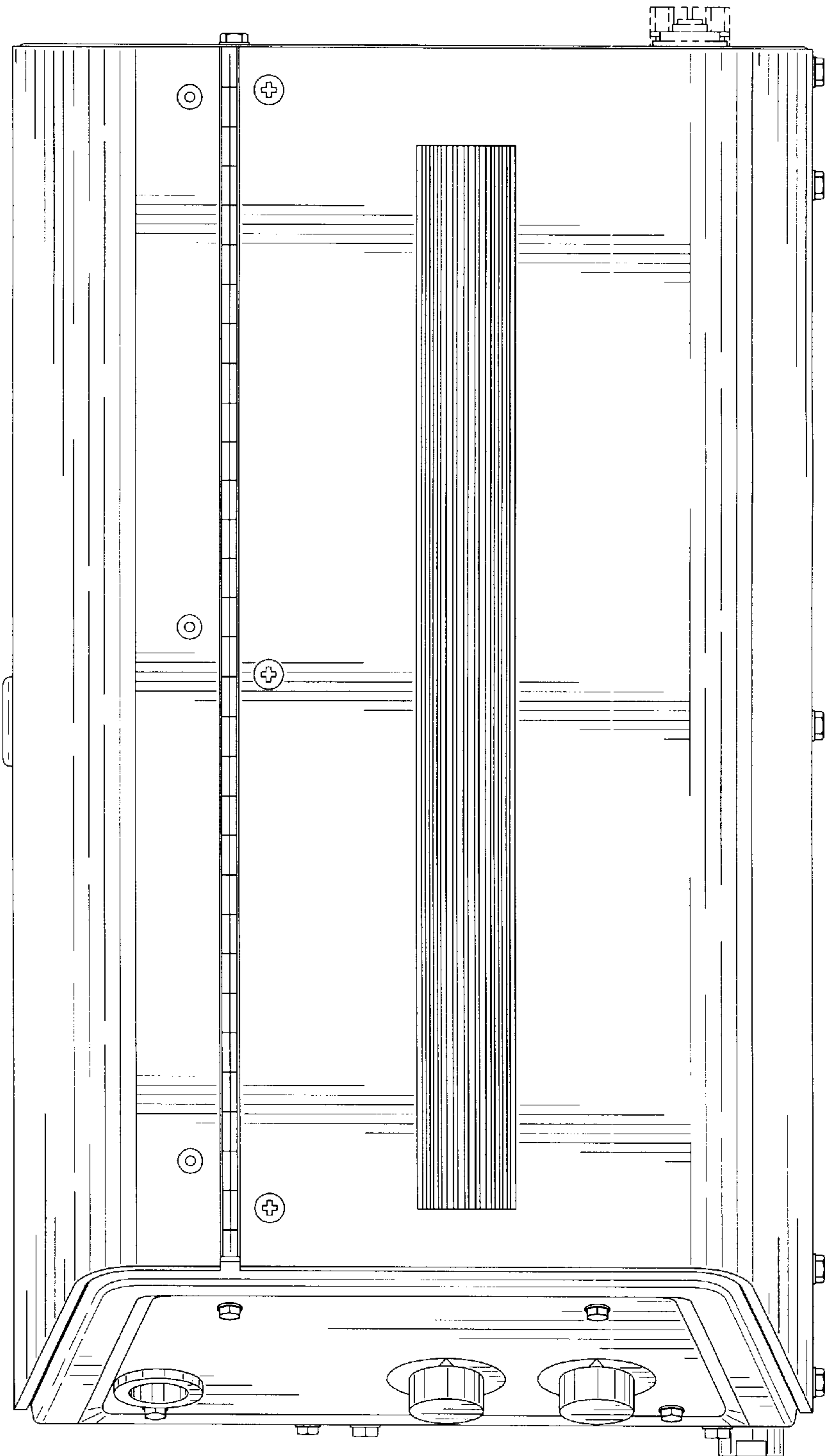


FIG. 4

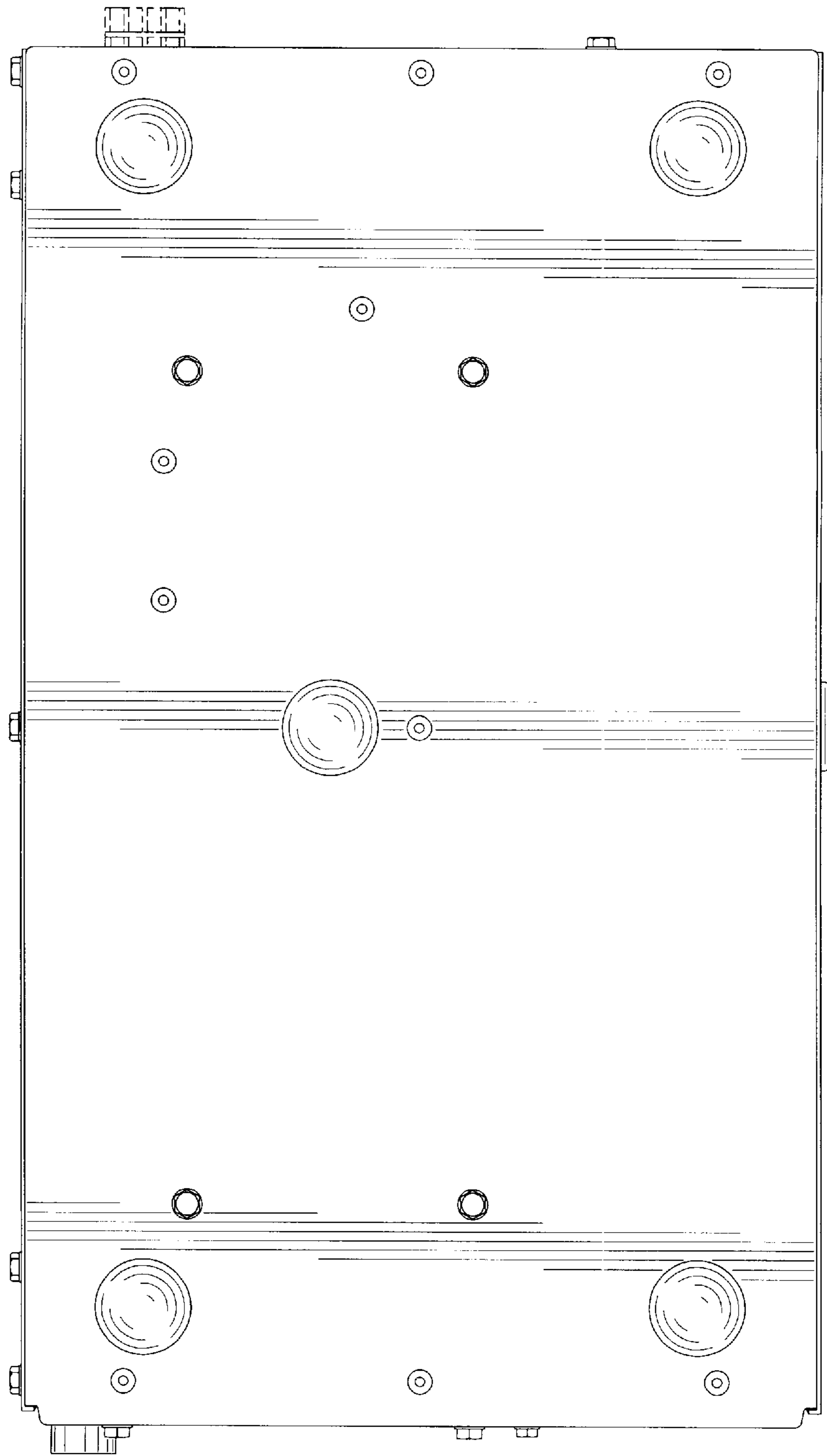


FIG. 5

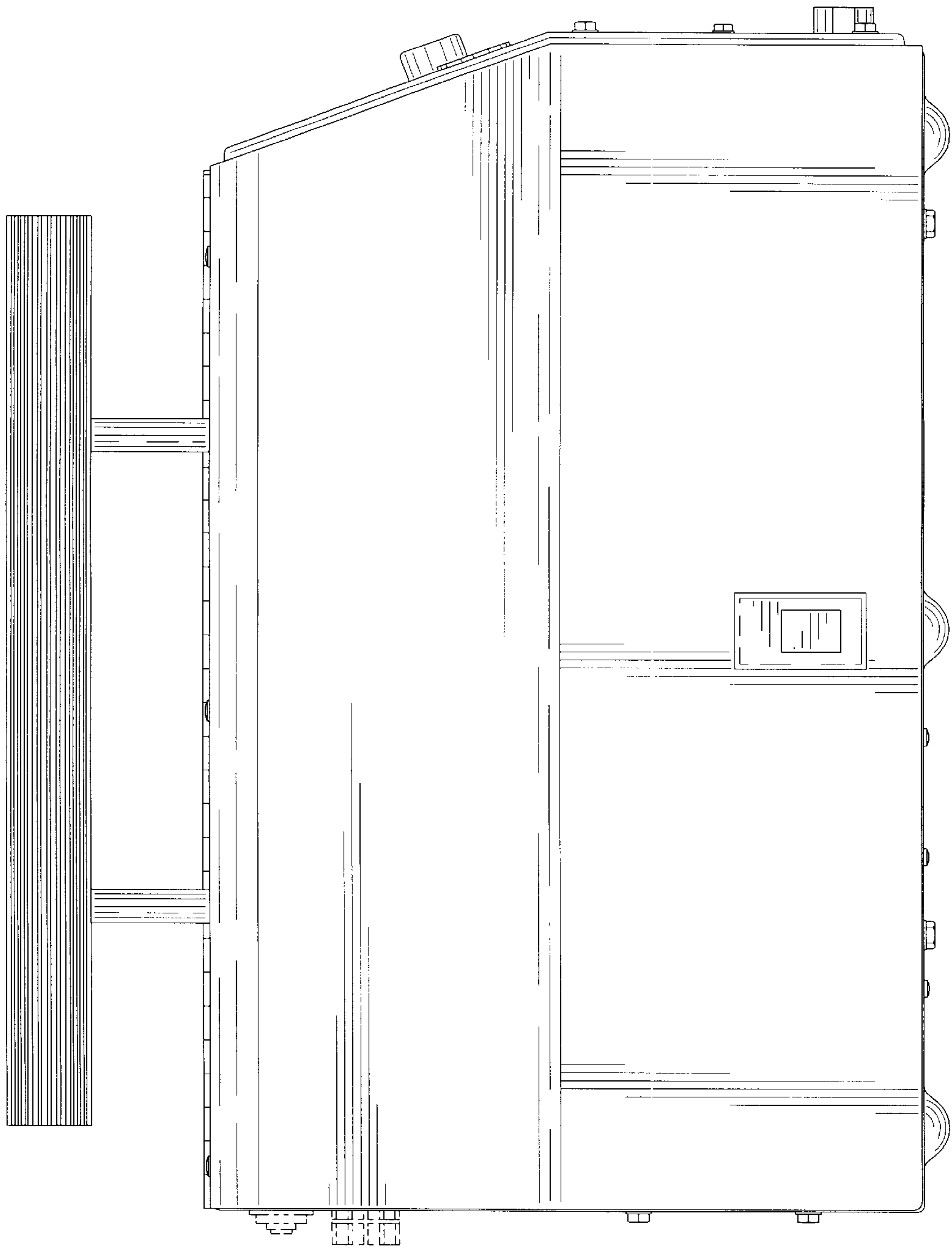


FIG. 6

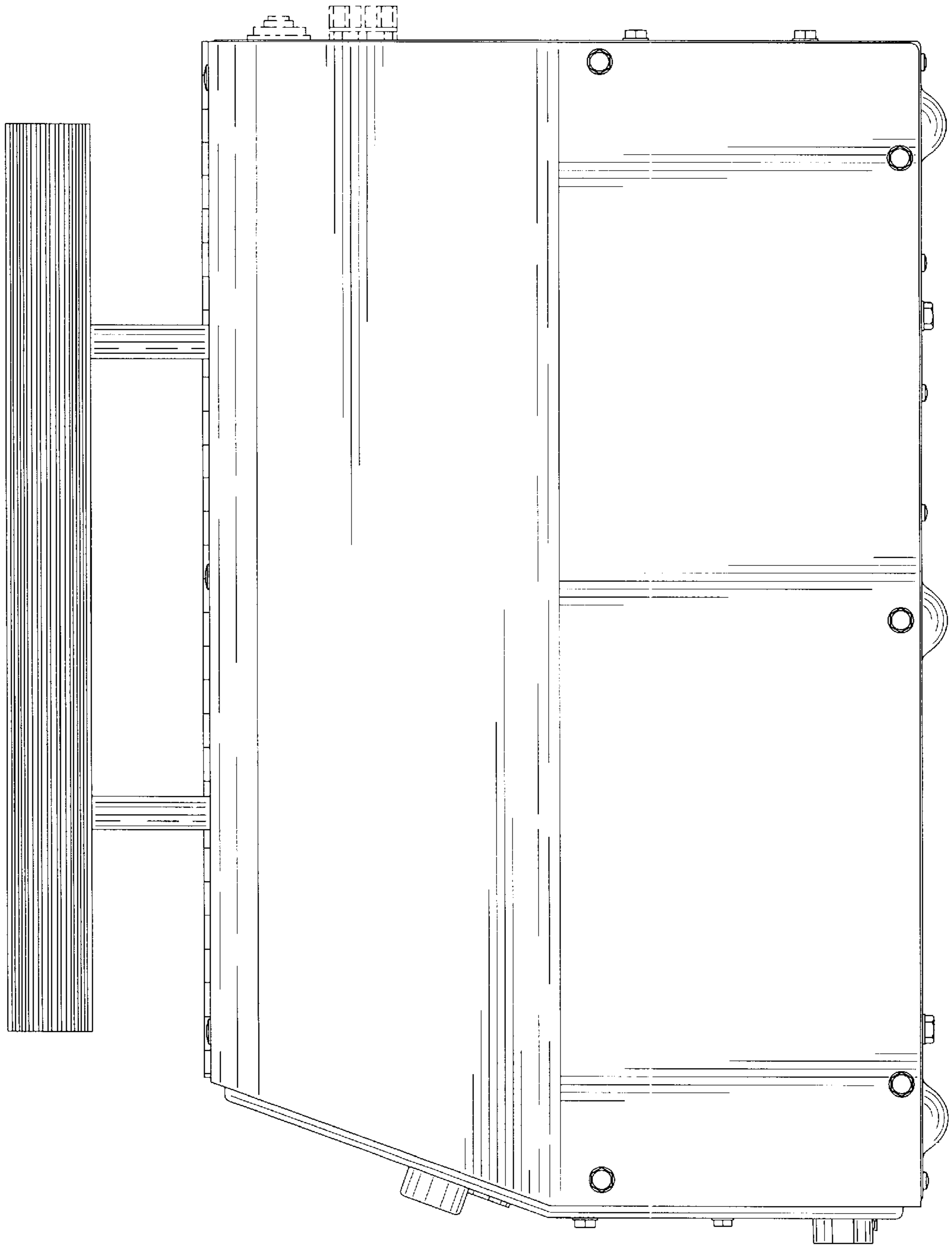


FIG. 7

UNITED STATES PATENT AND TRADEMARK OFFICE
CERTIFICATE OF CORRECTION

PATENT NO. : Des. 416,030
DATED : NOVEMBER 2, 1999
INVENTOR(S) : WELLER ET AL.

It is certified that error appears in the above-identified patent and that said Letters Patent is hereby corrected as shown below:

Title page, [56] References Cited, U.S. Patent Documents: delete "3,425,729 2/1969 Bisbing"

Title page, [56] References Cited, Other Publications: delete "OTHER PUBLICATIONS Southco Fasteners, Handbook 40, Section K, pp. K-2, K-3, K-4, K-5 and K-6 (1990)."

Signed and Sealed this
Twenty-fourth Day of October, 2000

Attest:



Q. TODD DICKINSON

Attesting Officer

Director of Patents and Trademarks