



US00D416028S

United States Patent [19]

Price et al.

[11] Patent Number: Des. 416,028

[45] Date of Patent: ** Nov. 2, 1999

[54] MOTOR HOUSING FOR A SLIDING COMPOUND MITER SAW

[75] Inventors: Scott Price, Pylesville; Robert P. Welsh, Hunt Valley, both of Md.

[73] Assignee: Black & Decker Inc., Newark, Del.

[**] Term: 14 Years

[21] Appl. No.: 29/094,420

[22] Filed: Sep. 30, 1998

Related U.S. Application Data

[63] Continuation-in-part of application No. 29/087,905, May 11, 1998, Pat. No. Des. 405,810, which is a continuation of application No. 29/072,692, Jun. 19, 1997, abandoned.

[51] LOC (6) Cl. 15-09

[52] U.S. Cl. D15/133

[58] Field of Search D15/133; 83/397, 83/471.1, 471.2, 471.3, 477, 581

[56] References Cited

U.S. PATENT DOCUMENTS

- D. 305,542 1/1990 Miyamoto et al. .
- D. 306,031 2/1990 Ushiwata et al. .

- D. 334,576 4/1993 Kawakami et al. .
- D. 336,652 6/1993 Arehart .
- D. 345,743 4/1994 Garcia .
- D. 391,973 3/1998 Price et al. .
- 5,437,214 8/1995 Sasaki et al. 83/471.3
- 5,524,516 6/1996 Sasaki et al. 83/471.3
- 5,564,323 10/1996 Sasaki et al. 83/471.3

Primary Examiner—Antoine Duval Davis
Attorney, Agent, or Firm—Harness, Dickey & Pierce, P.L.C.

[57] CLAIM

The ornamental design for a motor housing for a sliding compound miter saw, as shown and described.

DESCRIPTION

FIG. 1 is a perspective view of the design for a motor housing for a sliding compound miter saw according to the present invention;
 FIG. 2 is a front elevational view thereof;
 FIG. 3 is a left side elevational view thereof;
 FIG. 4 is a top plan view thereof;
 FIG. 5 is a bottom plan view thereof; and,
 FIG. 6 is a right side elevational view thereof.
 The broken line showing of the sliding compound miter saw is for illustrative purposes only and forms no part of the claimed design.

1 Claim, 2 Drawing Sheets

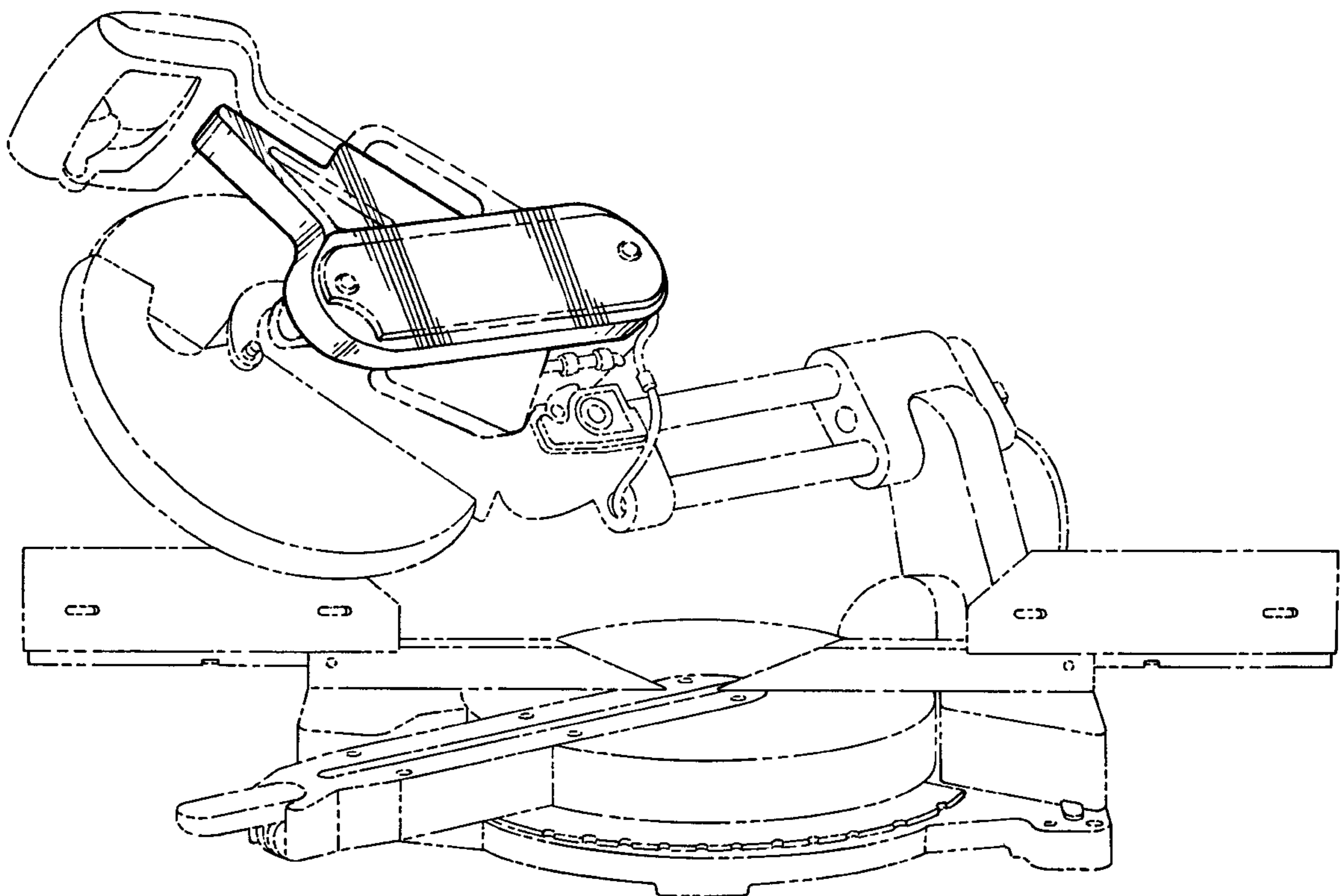
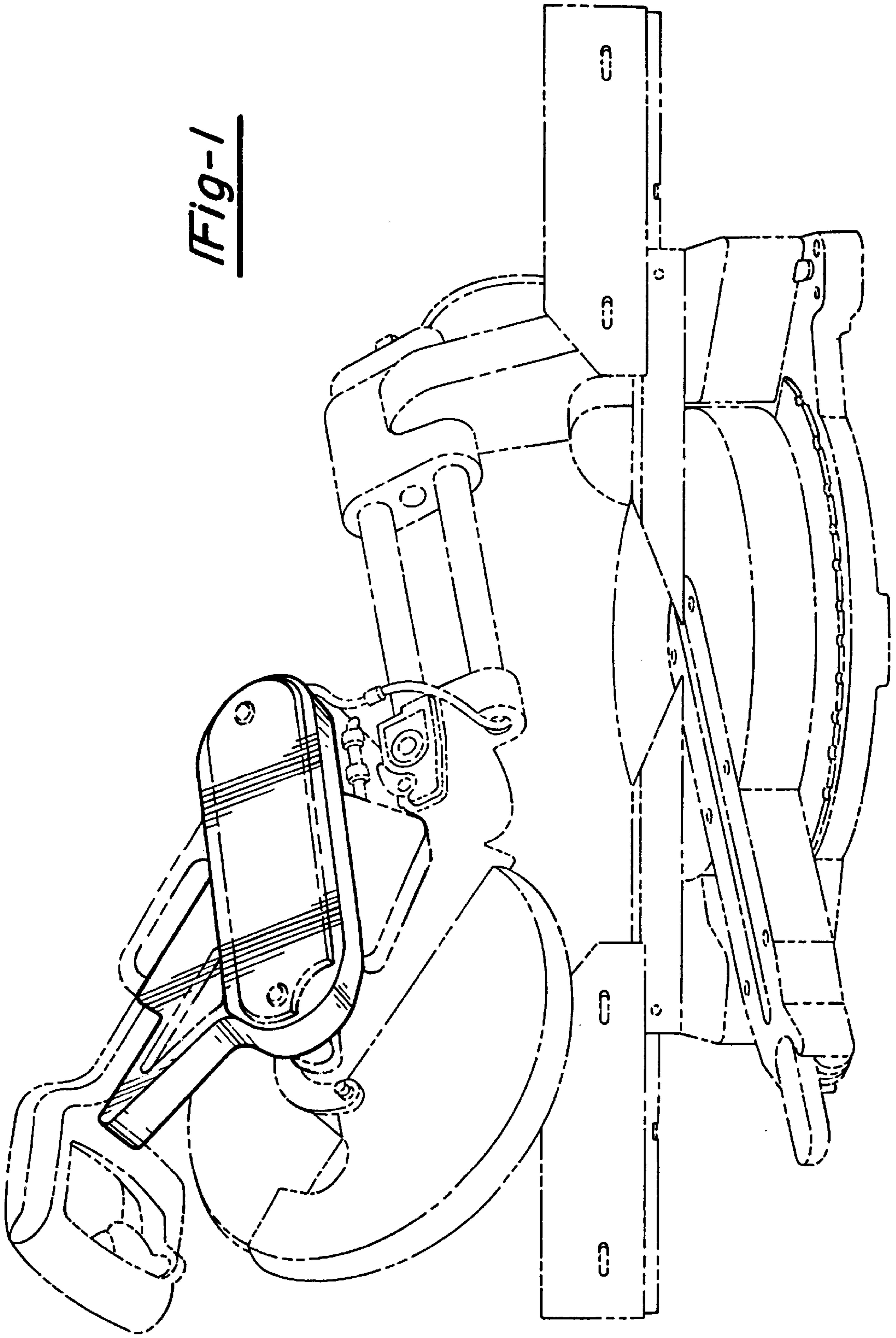


Fig-1



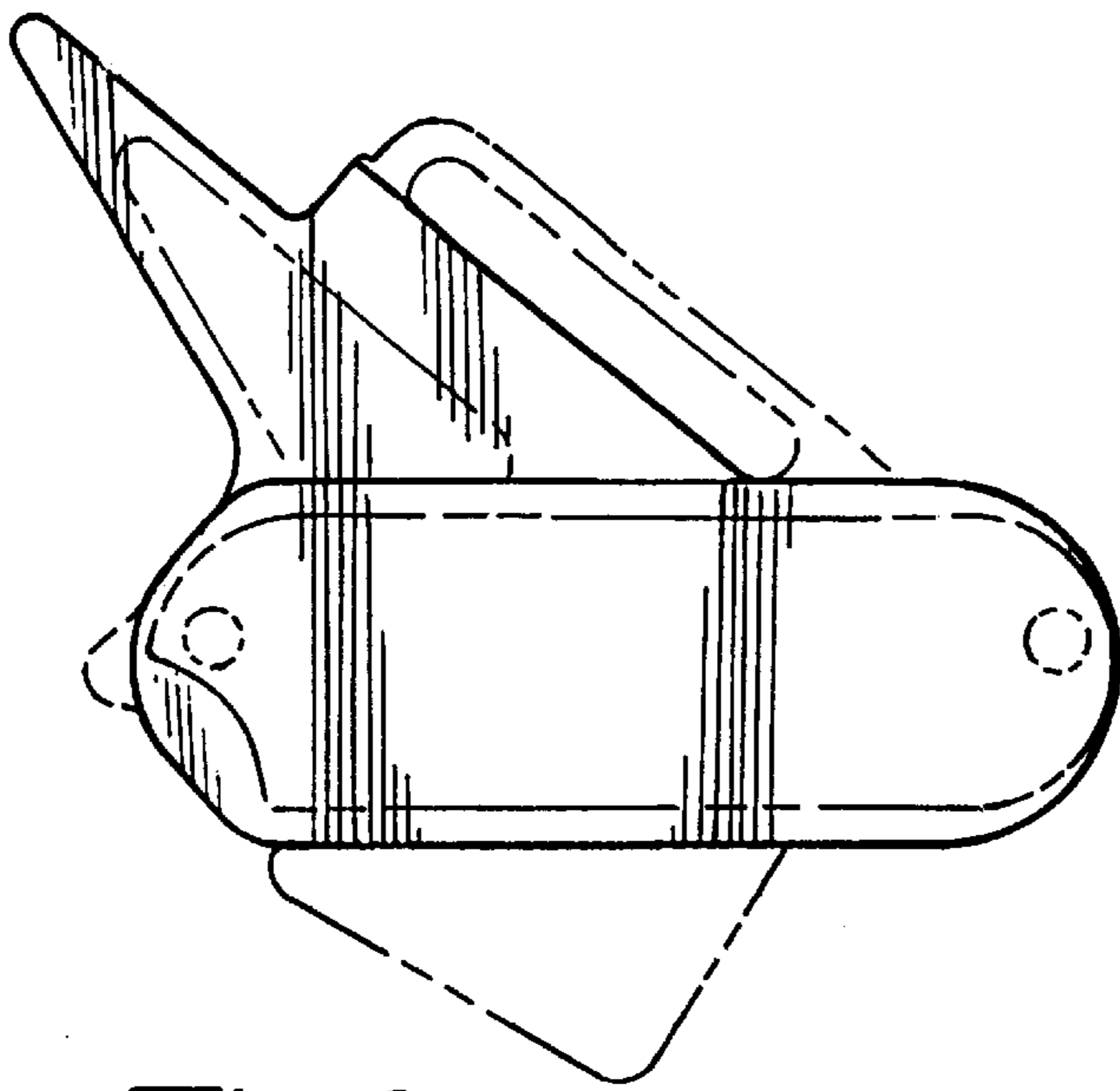


Fig-2

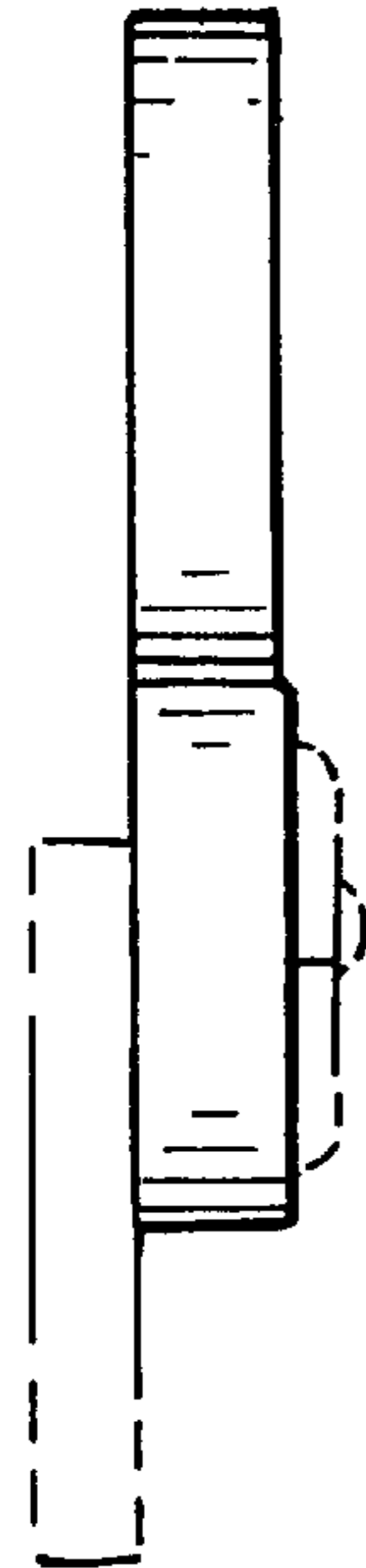


Fig-3

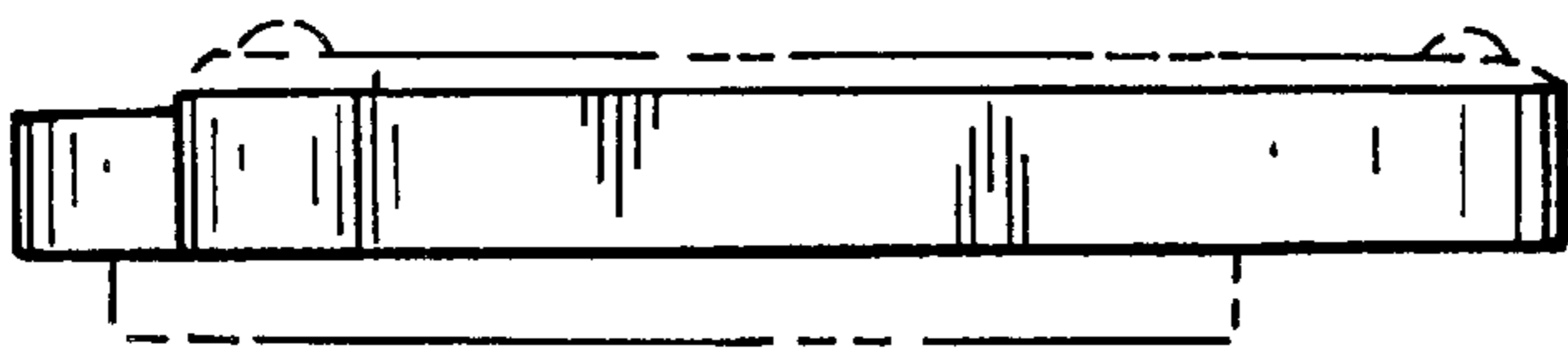


Fig-5

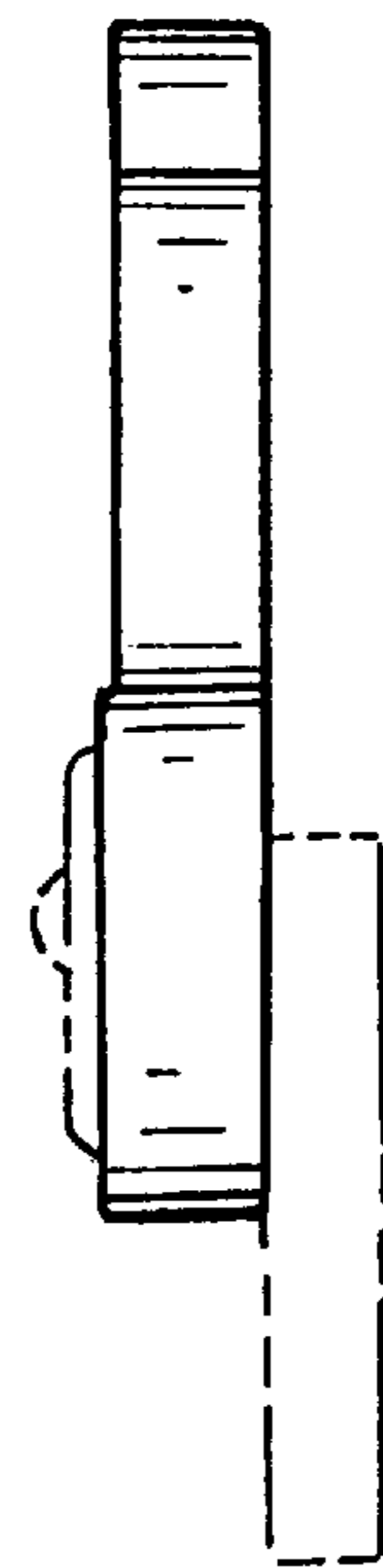


Fig-6

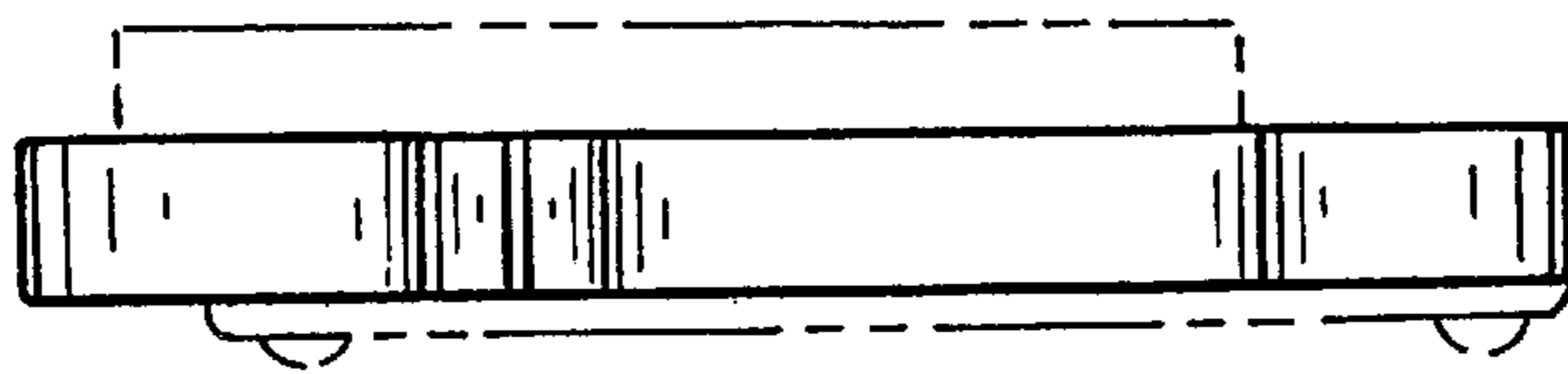


Fig-4