



US00D416027S

United States Patent [19] Ueyama

[11] Patent Number: **Des. 416,027**

[45] Date of Patent: **** Nov. 2, 1999**

[54] SEWING MACHINE

D. 359,741 6/1995 Sekiguti et al. D15/70
D. 382,281 8/1997 Takada et al. D15/69

[75] Inventor: **Tetsuo Ueyama**, Chofu, Japan

[73] Assignee: **Juki Corporation**, Chofu, Japan

Primary Examiner—Sandra L. Morris
Attorney, Agent, or Firm—Morgan & Finnegan LLP

[**] Term: **14 Years**

[57] **CLAIM**

[21] Appl. No.: **29/085,426**

The ornamental design for a sewing machine, as shown and described.

[22] Filed: **Mar. 23, 1998**

DESCRIPTION

[30] **Foreign Application Priority Data**

Oct. 6, 1997 [JP] Japan 9-70542

FIG. 1 is a perspective view of a sewing machine showing my new design.

[51] **LOC (6) Cl.** **15-06**

FIG. 2 is a left side view thereof.

[52] **U.S. Cl.** **D15/69**

FIG. 3 is a right side view thereof.

[58] **Field of Search** D15/69, 70; 112/217.1-217.4,
112/256-261

FIG. 4 is a top view thereof.

FIG. 5 is a front view thereof.

FIG. 6 is a back view thereof.

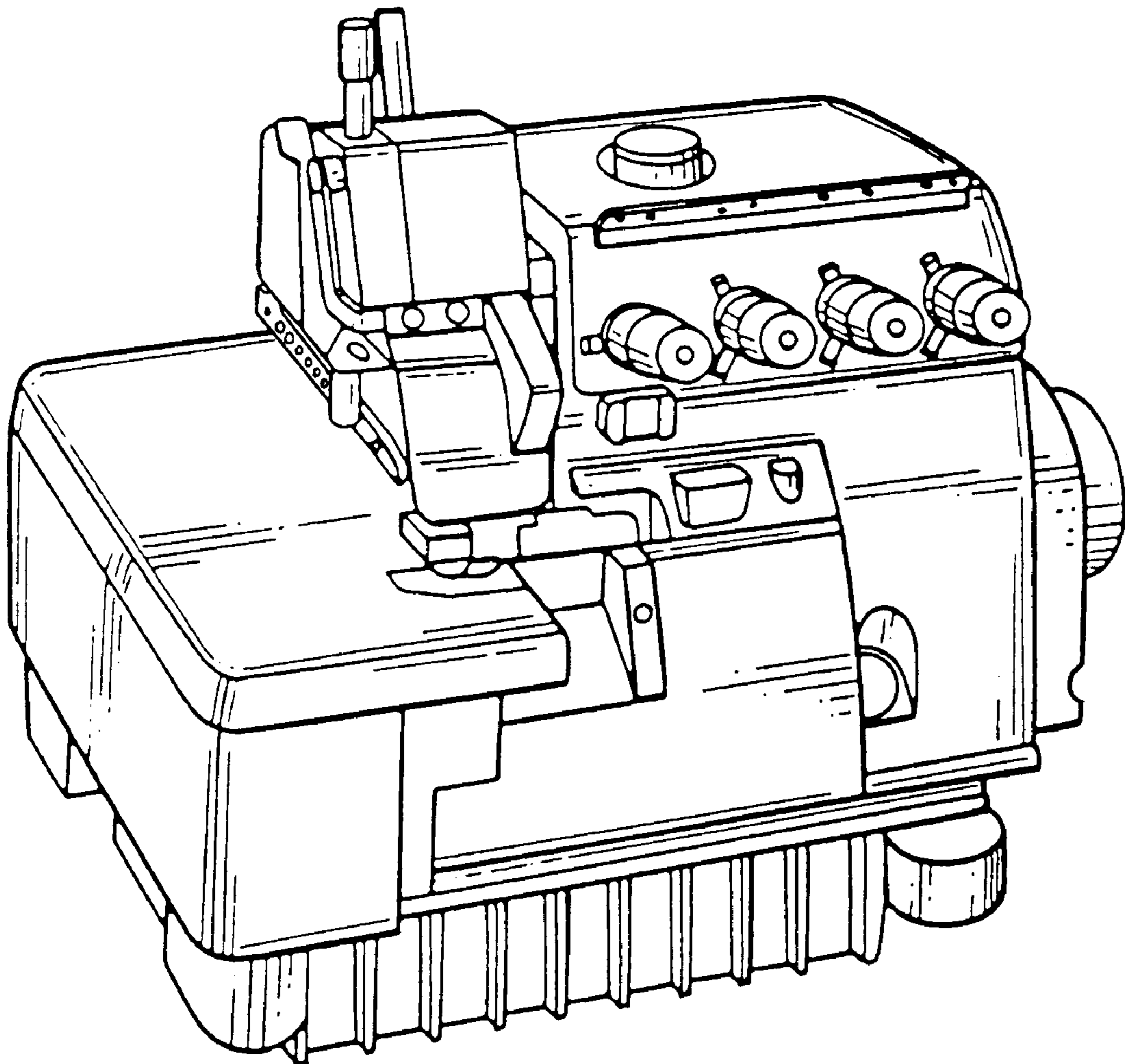
FIG. 7 is a bottom view thereof.

[56] **References Cited**

U.S. PATENT DOCUMENTS

D. 292,928 11/1987 Lo D15/69

1 Claim, 4 Drawing Sheets



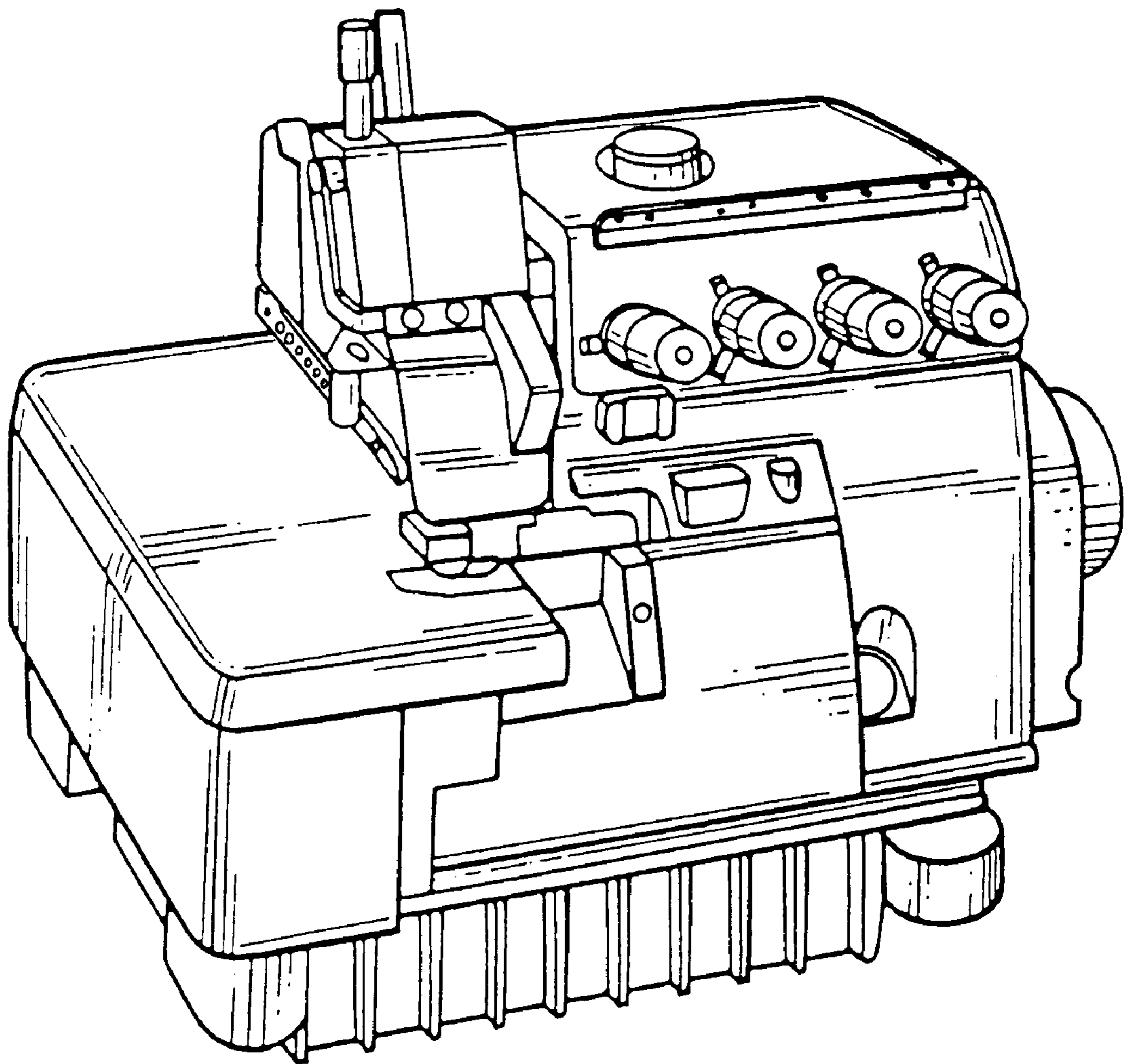


Fig. 1

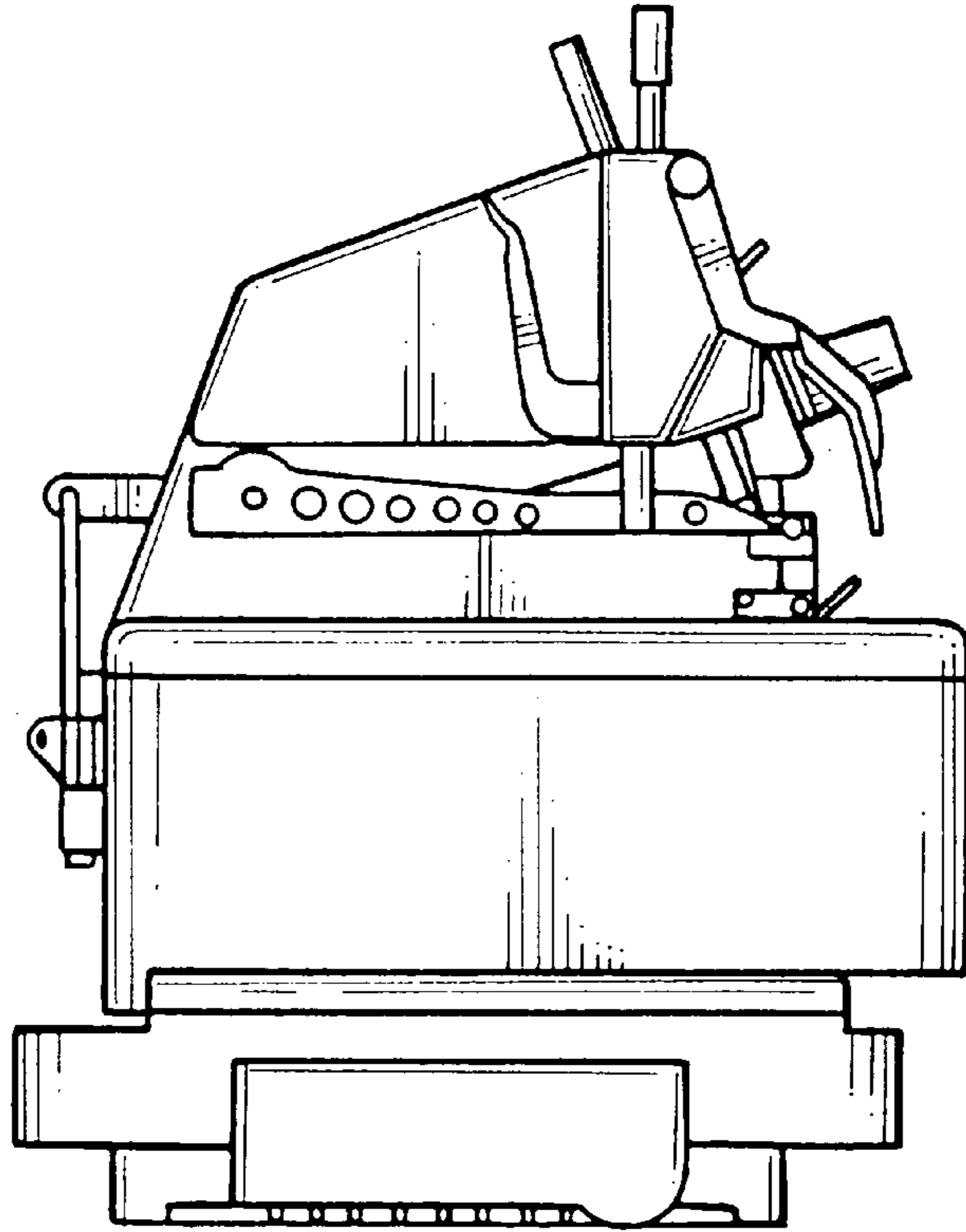


Fig. 2

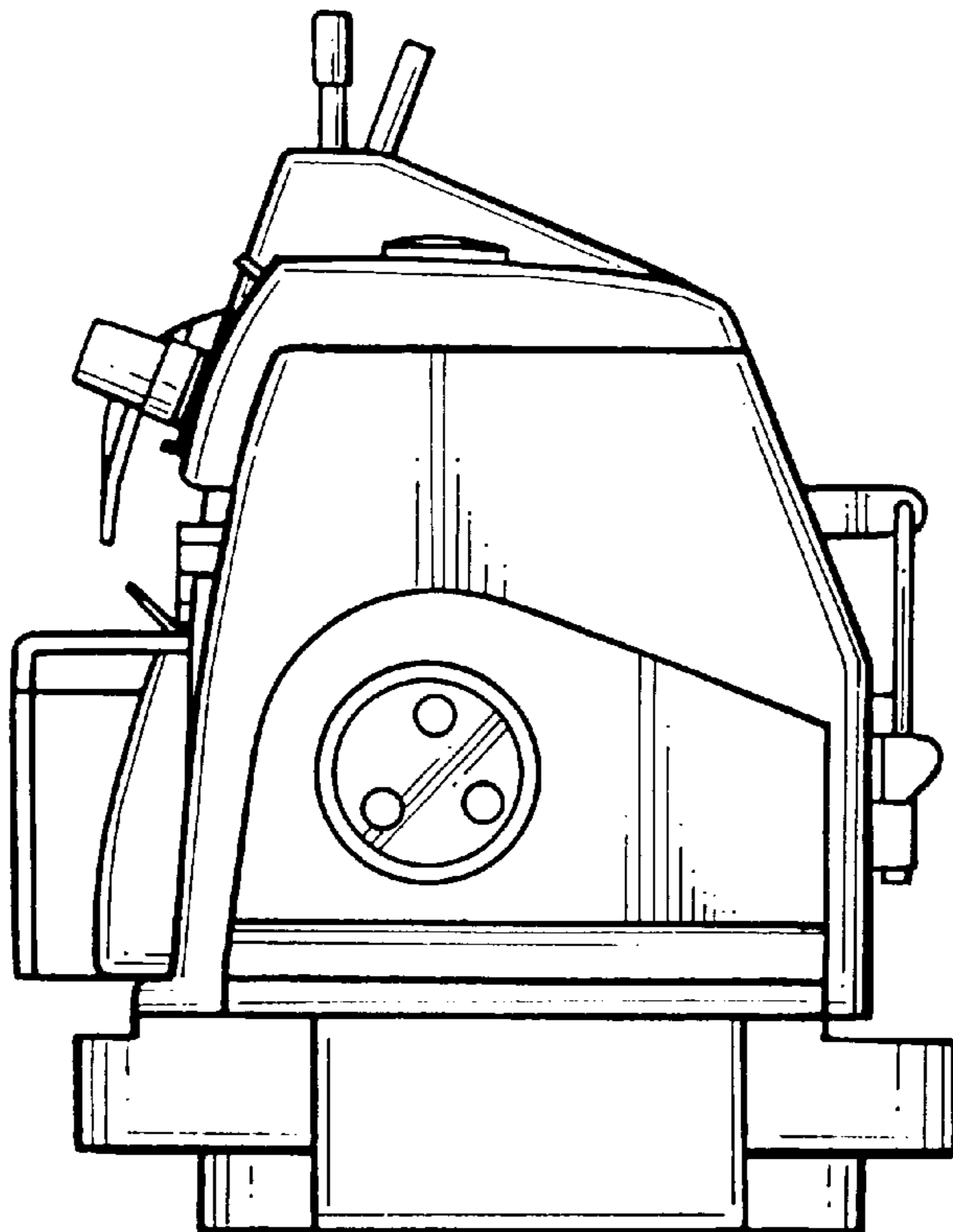


Fig. 3

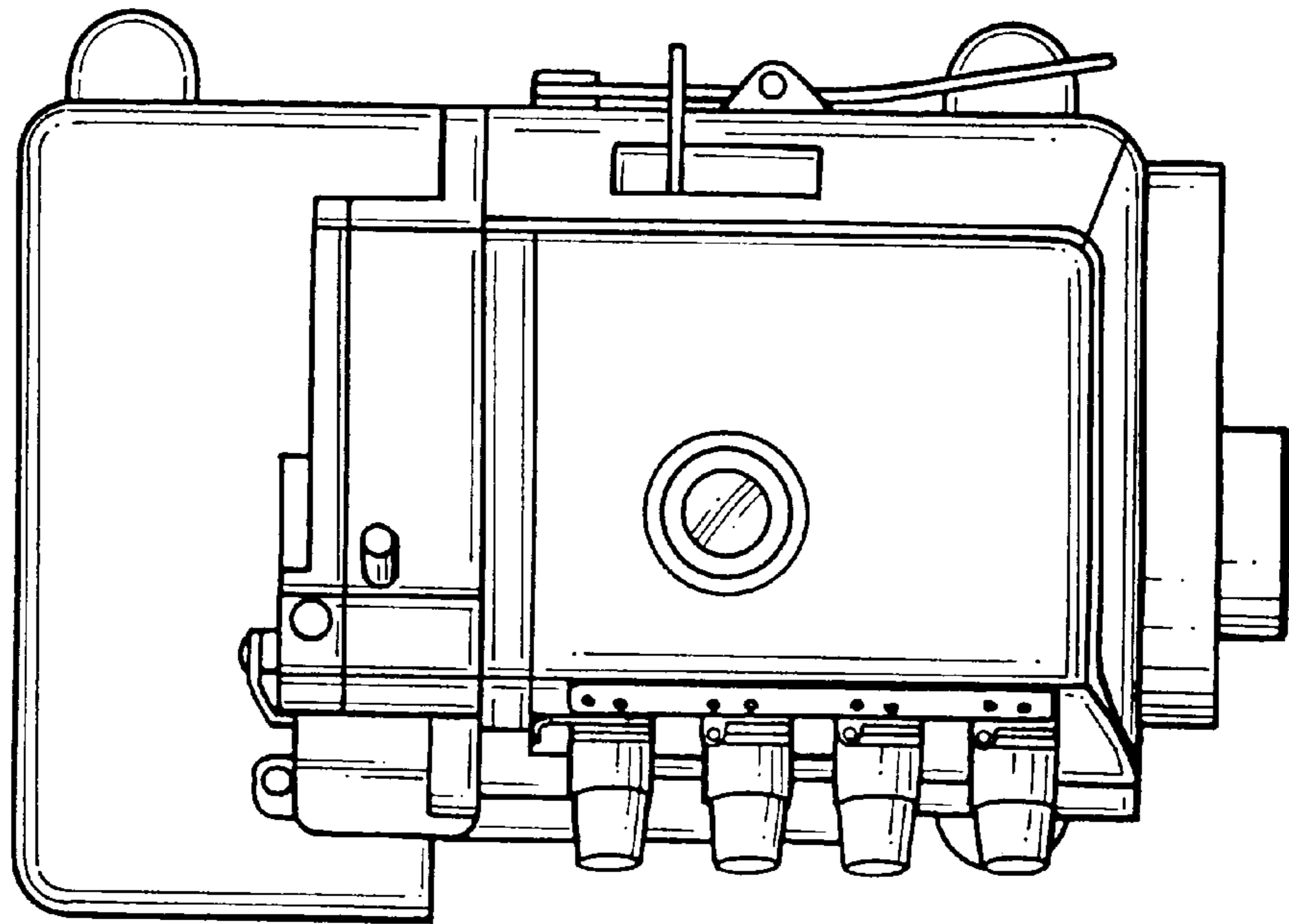


Fig. 4

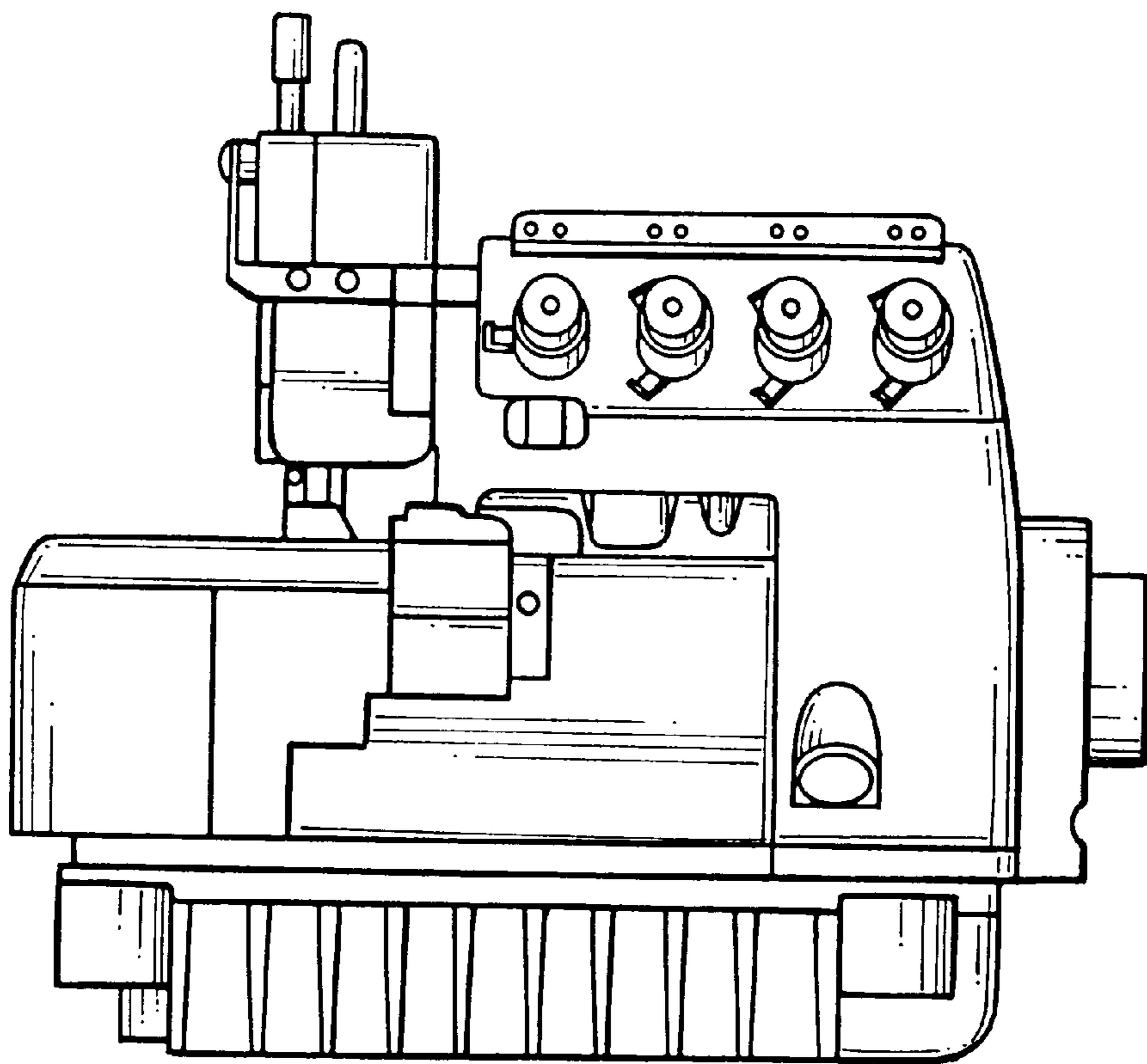


Fig. 5

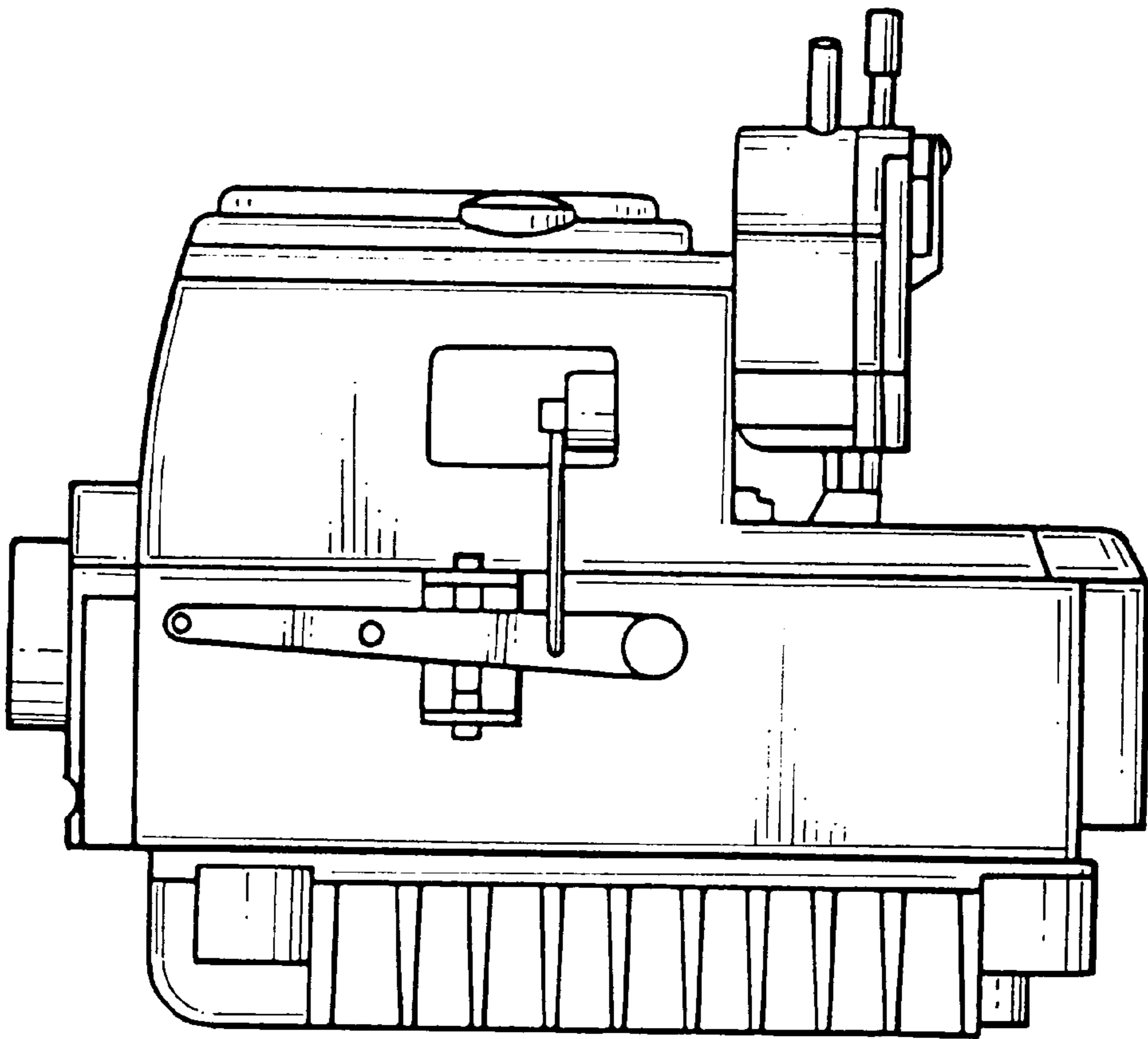


Fig. 6

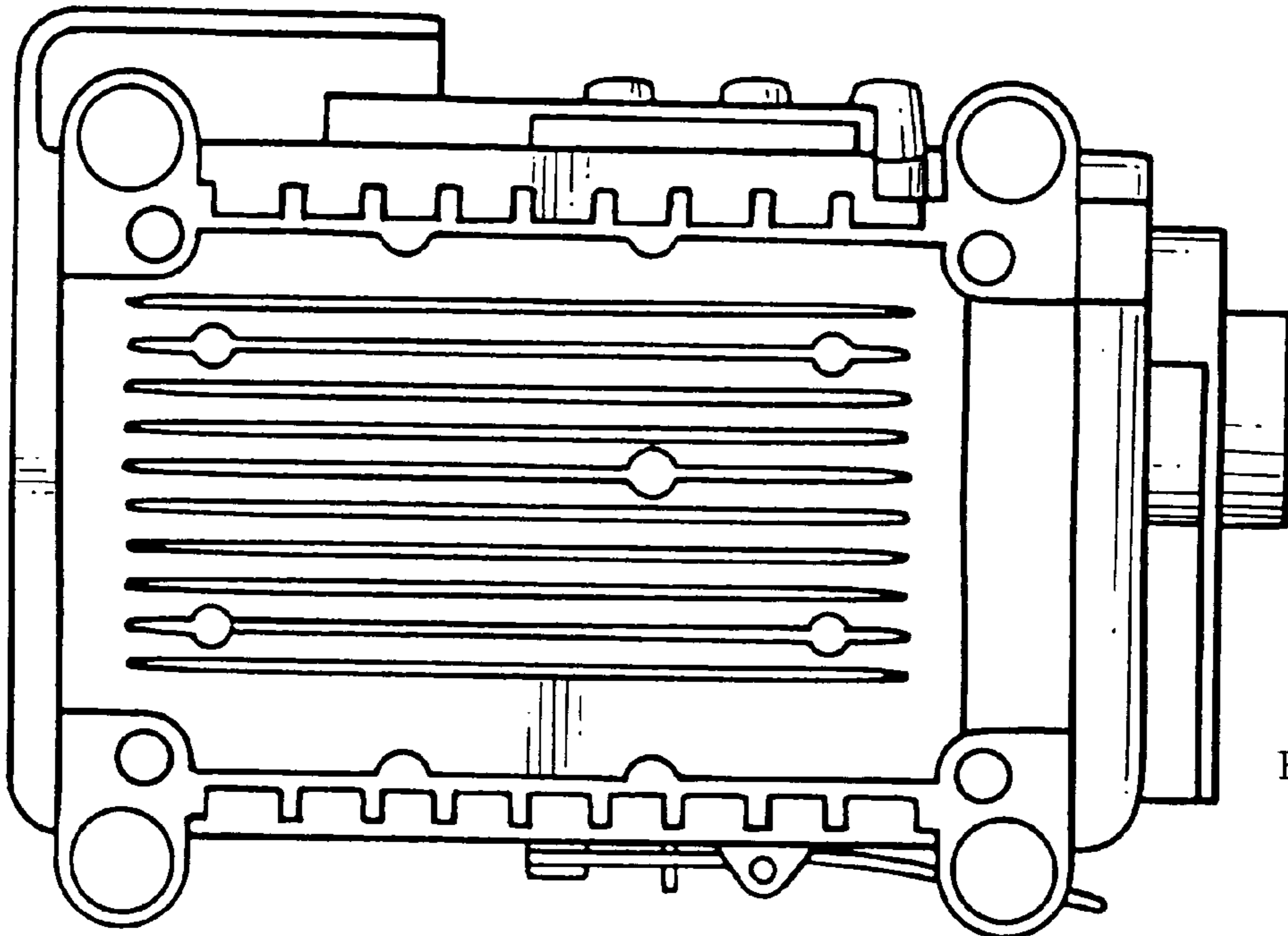


Fig. 7