



US00D416023S

United States Patent [19]

[11] Patent Number: **Des. 416,023**

Du

[45] Date of Patent: **** Nov. 2, 1999**

[54] **MODEM**

[75] Inventor: **Sing-Long Du**, Taipei, Taiwan

[73] Assignee: **Askey Computer Corp.**, Taipei, Taiwan

[**] Term: **14 Years**

[21] Appl. No.: **29/099,126**

[22] Filed: **Jan. 14, 1999**

[51] **LOC (6) Cl.** **14-03**

[52] **U.S. Cl.** **D14/242; D14/107**

[58] **Field of Search** D14/125, 257, D14/140, 142, 107, 109, 102, 100, 240, 242, 155, 159, 141; 379/419, 420, 428, 440, 406, 93.01, 93.28; 455/550-575, 90; D13/184, 147, 162, 164; 361/600, 622, 724-728; 375/220-225

[56] **References Cited**

U.S. PATENT DOCUMENTS

- D. 318,654 7/1991 Huang D14/107
- D. 351,841 10/1994 Blankenship et al. D14/107 X

- D. 358,395 5/1995 Heidorn et al. D14/242
- D. 359,287 6/1995 Heberling et al. D14/242
- D. 377,339 1/1997 Beruscha et al. D13/184
- D. 384,672 10/1997 Heberling D14/242
- D. 395,315 6/1998 Liao D14/242
- D. 398,920 9/1998 Yen D14/125
- D. 408,381 4/1999 Nelson et al. D14/109

Primary Examiner—Jeffrey Asch
Attorney, Agent, or Firm—Browdy and Neimark

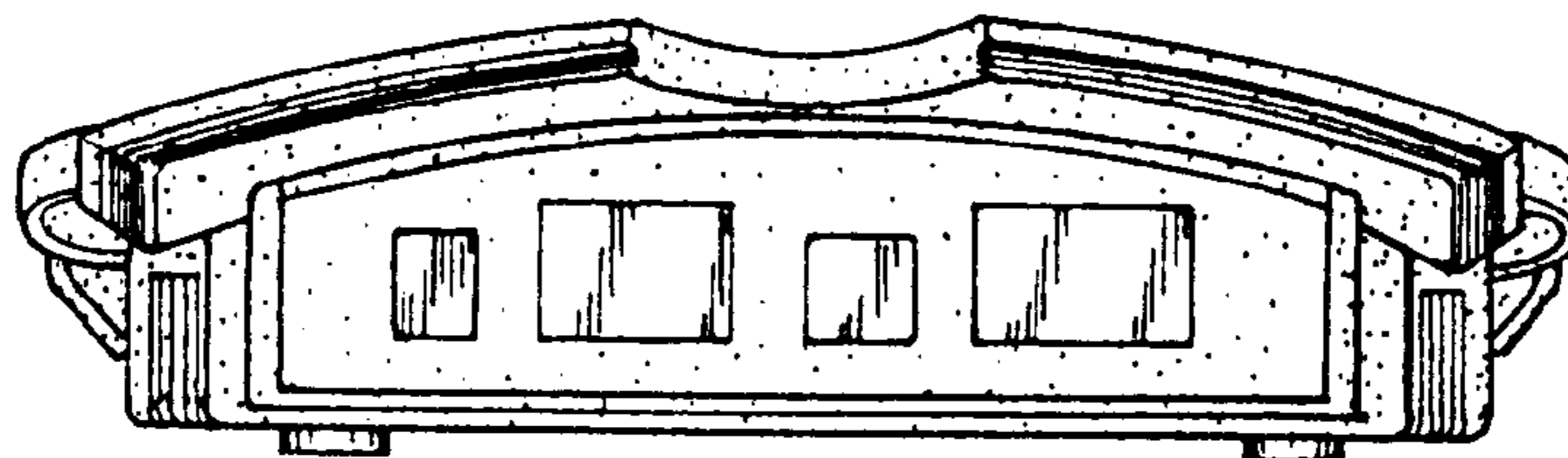
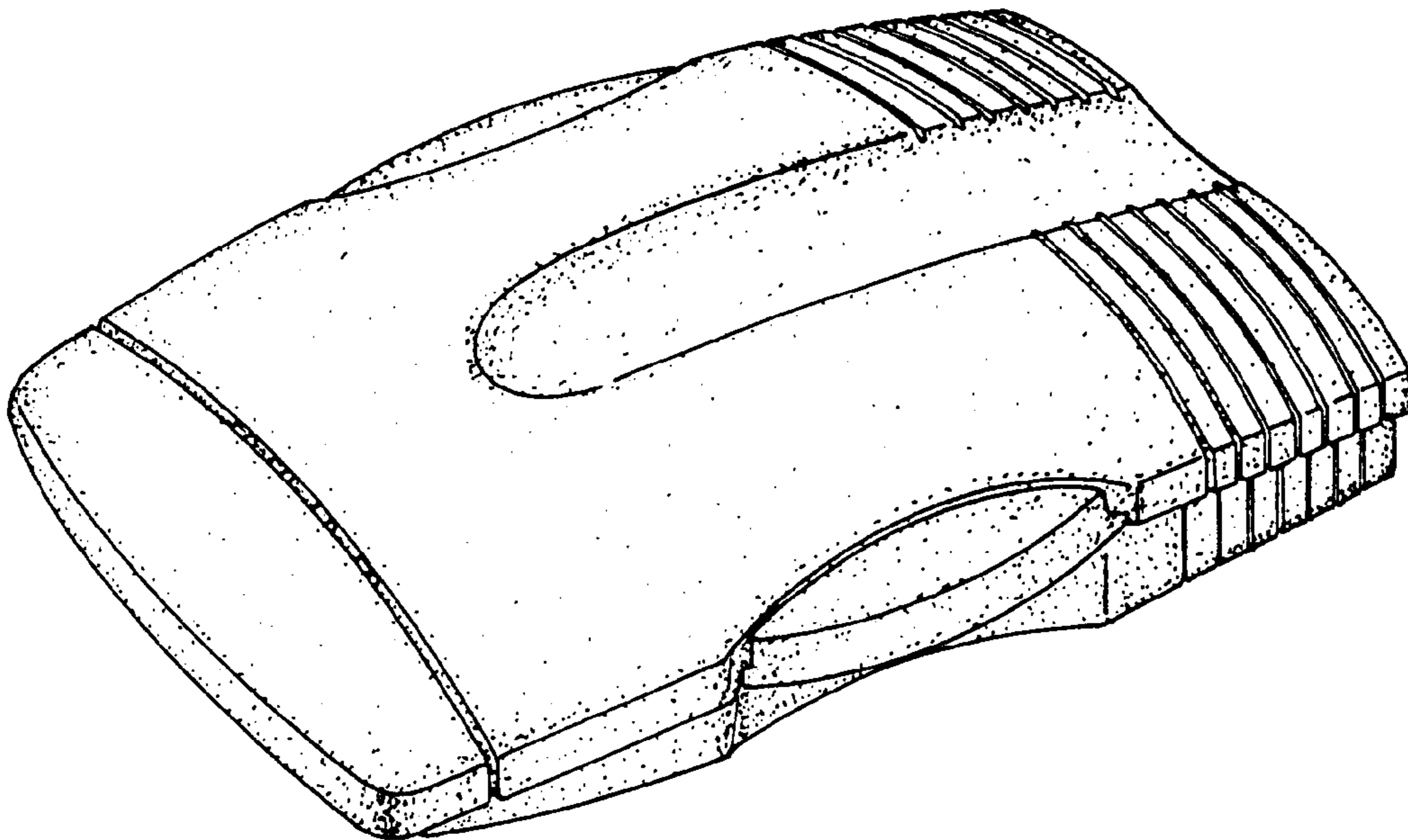
[57] **CLAIM**

The ornamental design for a “modem,” as shown and described.

DESCRIPTION

FIG. 1 shows a perspective view of the present design.
 FIG. 2 shows a right elevational view of the present design.
 FIG. 3 shows a top plan view of the present design.
 FIG. 4 shows a front elevational view of the present design.
 FIG. 5 shows a bottom plan view of the present design.
 FIG. 6 shows a left elevational view of the present design;
 and,
 FIG. 7 shows a rear elevational view of the present design.

1 Claim, 3 Drawing Sheets



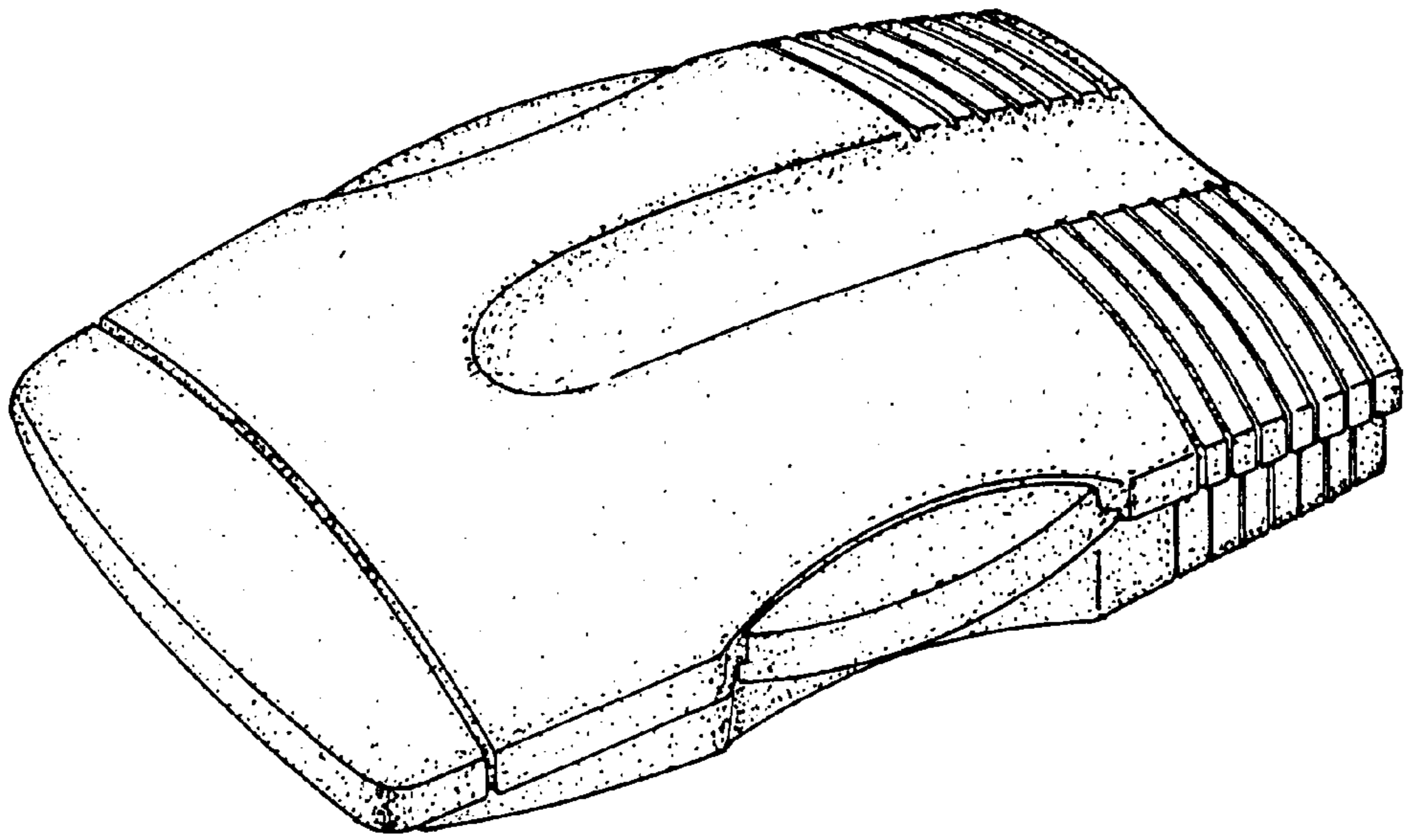


FIG. 1

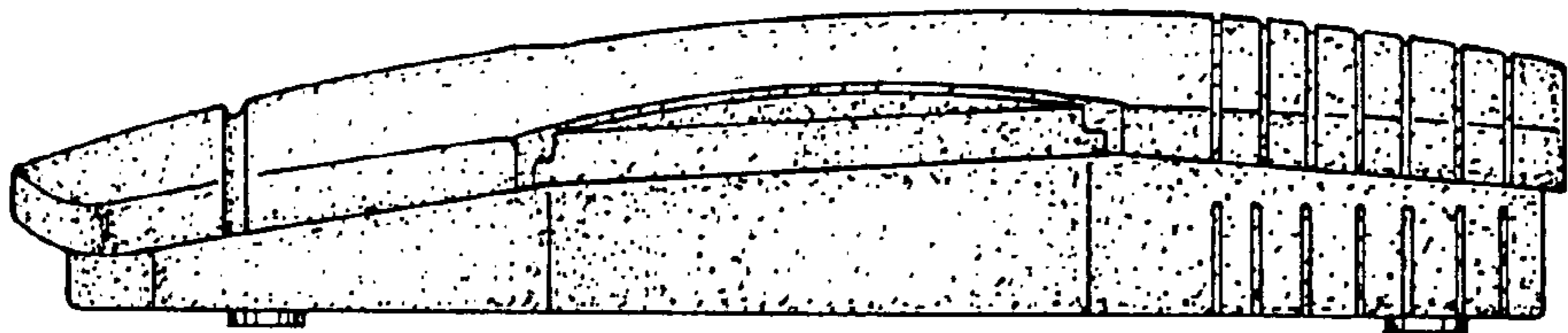


FIG. 2

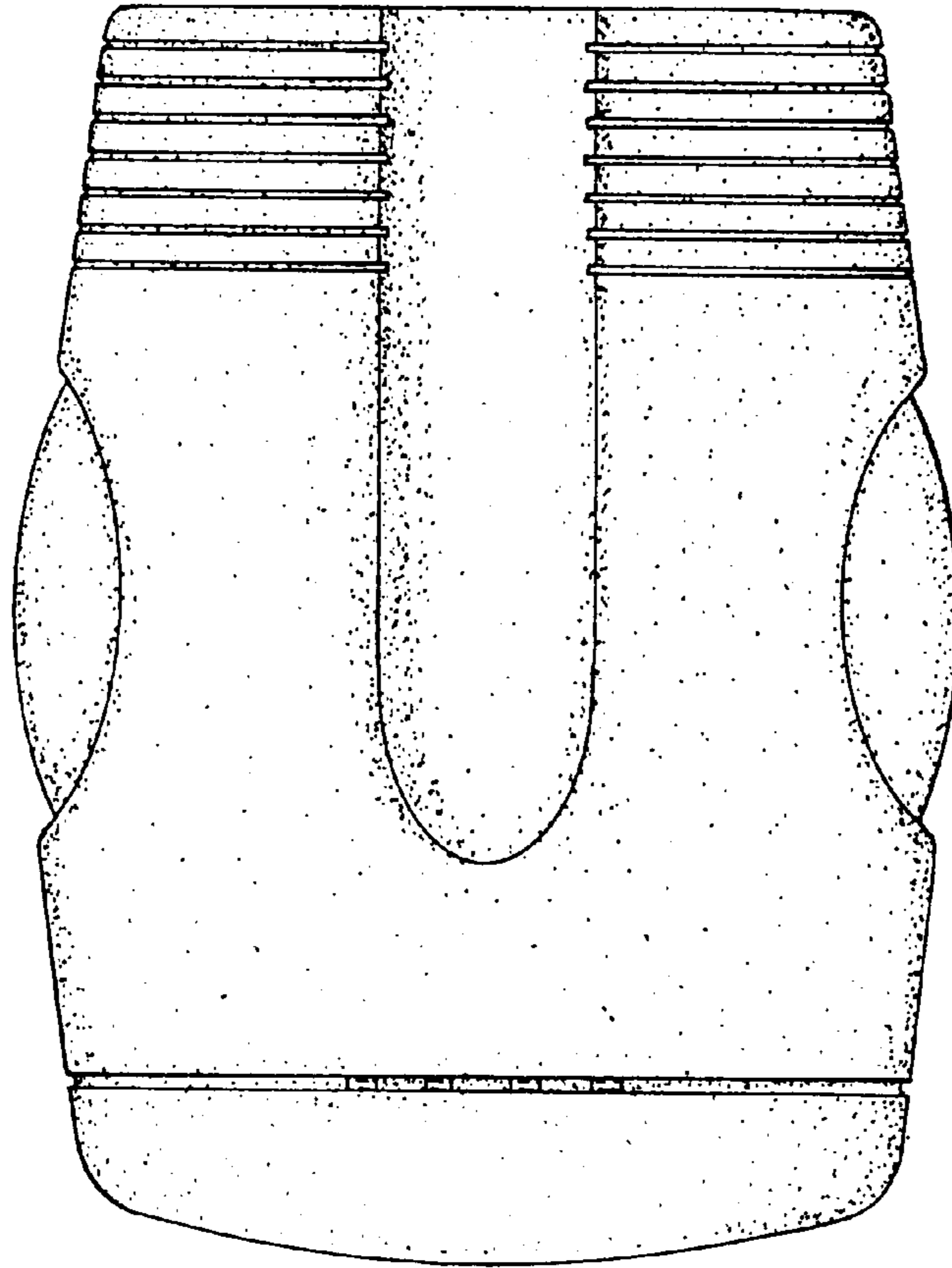


FIG. 3

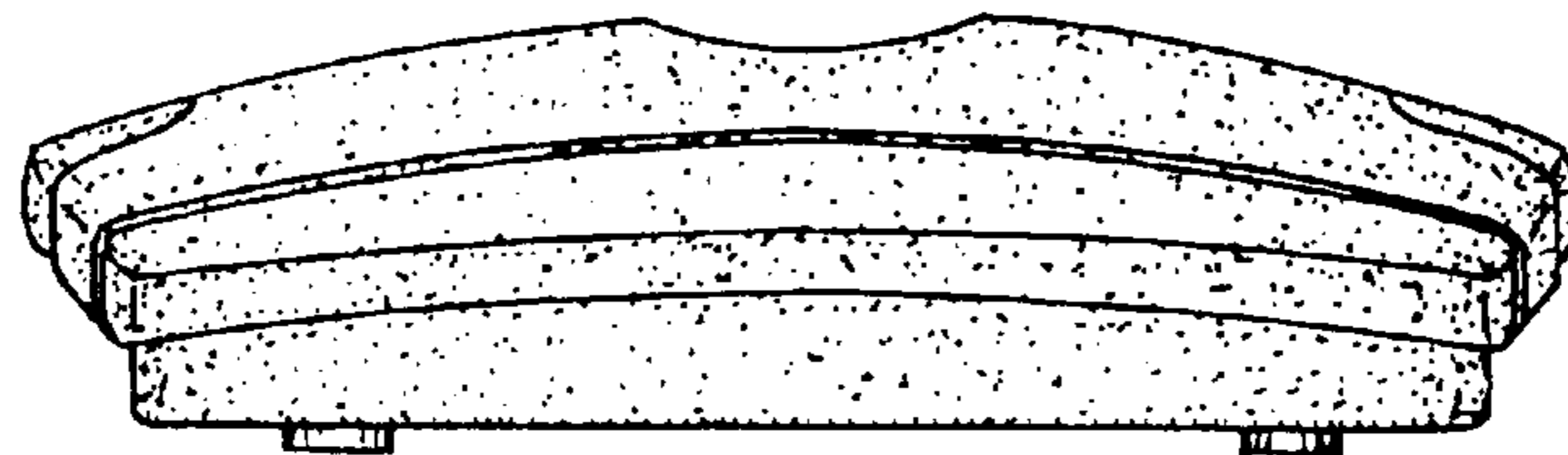


FIG. 4

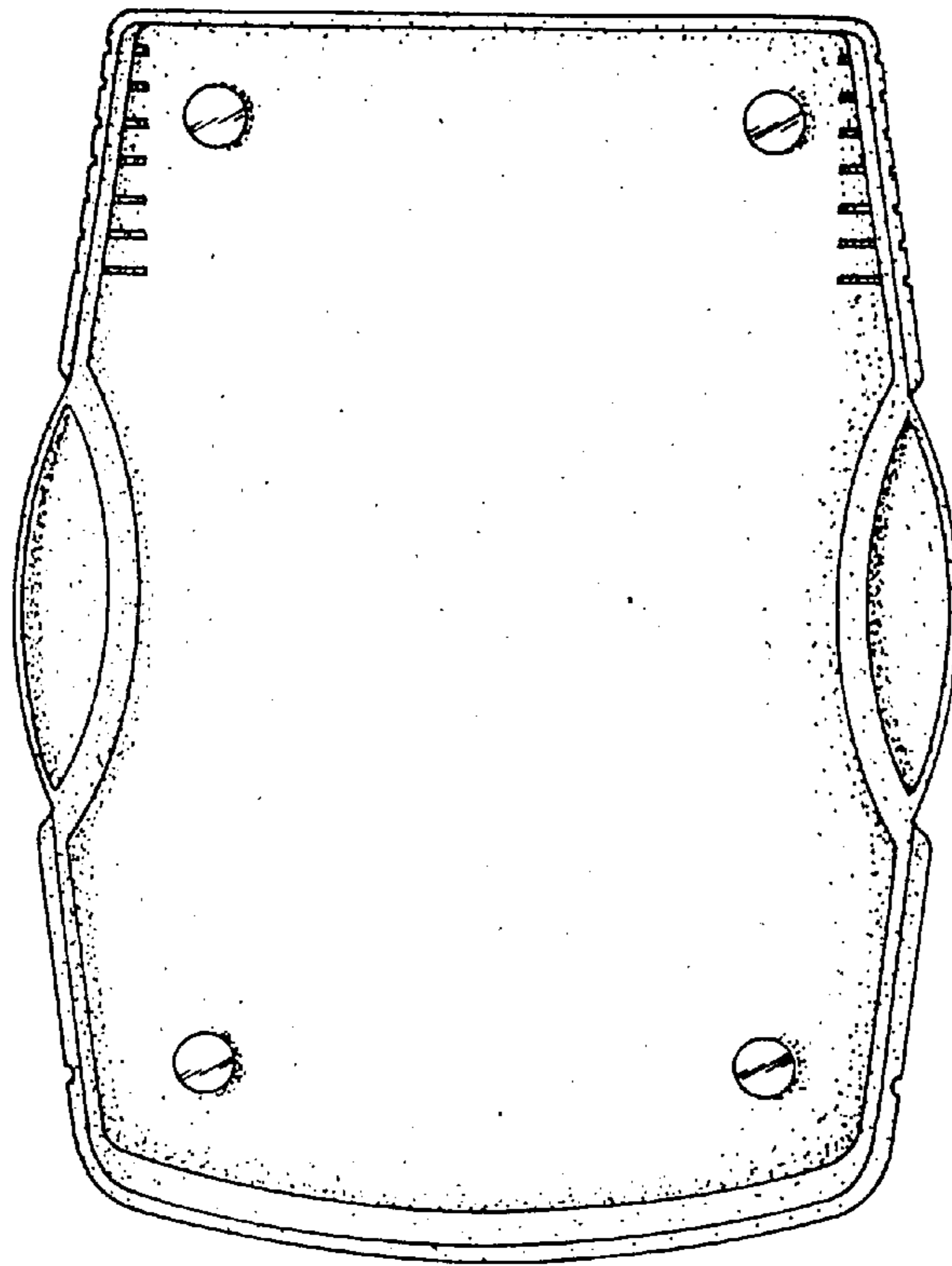


FIG. 5

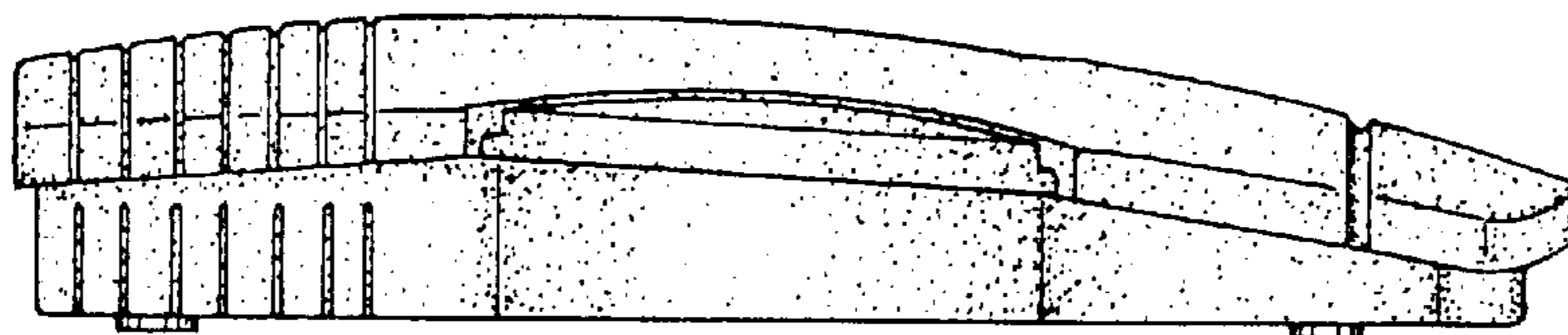


FIG. 6

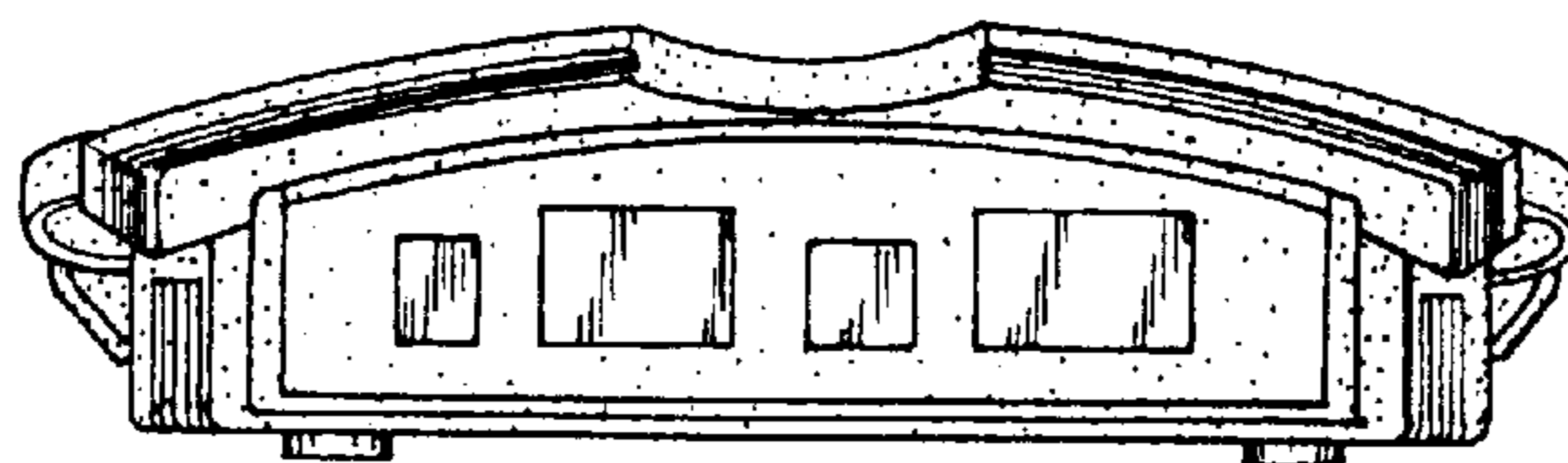


FIG. 7