



US00D416020S

United States Patent [19] Warren

[11] **Patent Number: Des. 416,020**

[45] **Date of Patent: ** Nov. 2, 1999**

[54] **SPEAKER**

[75] Inventor: **Morten Villiers Warren**, London, United Kingdom

[73] Assignee: **B&W Loudspeakers Limited**, Worthing, United Kingdom

[**] Term: **14 Years**

[21] Appl. No.: **29/094,870**

[22] Filed: **Oct. 13, 1998**

[51] **LOC (6) Cl.** **14-01**

[52] **U.S. Cl.** **D14/214; D14/215**

[58] **Field of Search** D14/204, 209-216; 181/144, 145, 147, 148, 150, 153, 157, 198, 199; 381/24, 88, 90-91, 153, 159, 186, 188

[56] **References Cited**

U.S. PATENT DOCUMENTS

D. 254,251	2/1980	Ward	D14/211
D. 305,892	2/1990	Freed	D14/214 X
D. 379,183	5/1997	Lin	D14/214
D. 390,234	2/1998	Ito et al.	D14/214
D. 392,289	3/1998	Isonaga	D14/214

FOREIGN PATENT DOCUMENTS

93 0 000061 6/1993 Italy .

OTHER PUBLICATIONS

Dalesford D speakers, *Hi-Fi For Pleasure*, Oct. 1981, p. 202.

“Kugellautsprecher; A German Approach Towards the Omni-Directional Ideal” reproduced from Mar. 1959 issue in *Classic Hi-Fi: Hi-Fi News & Record Review*, Feb. 1999, pp. 22-24.

Cubicon brochure prior to Jun. 1991.

JR Loudspeakers, *Hi Fi News*, Mar. 1978.

Stereo Review, p. 50, Magnet Speaker, May 1987.

Stereo Review, p. 39, OHM CAM 16 Speakers, Apr. 1990.

Stereo Review, p. 54, B & W's Matrix Loudspeaker, Aug. 1989.

Primary Examiner—Nanda Bondade

Attorney, Agent, or Firm—Burns, Doane, Swecker & Mathis LLP

[57] **CLAIM**

The ornamental design for a speaker, as shown and described.

DESCRIPTION

FIG. 1 is a front perspective view of the speaker;

FIG. 2 is a front elevation view thereof;

FIG. 3 is a rear elevation view thereof;

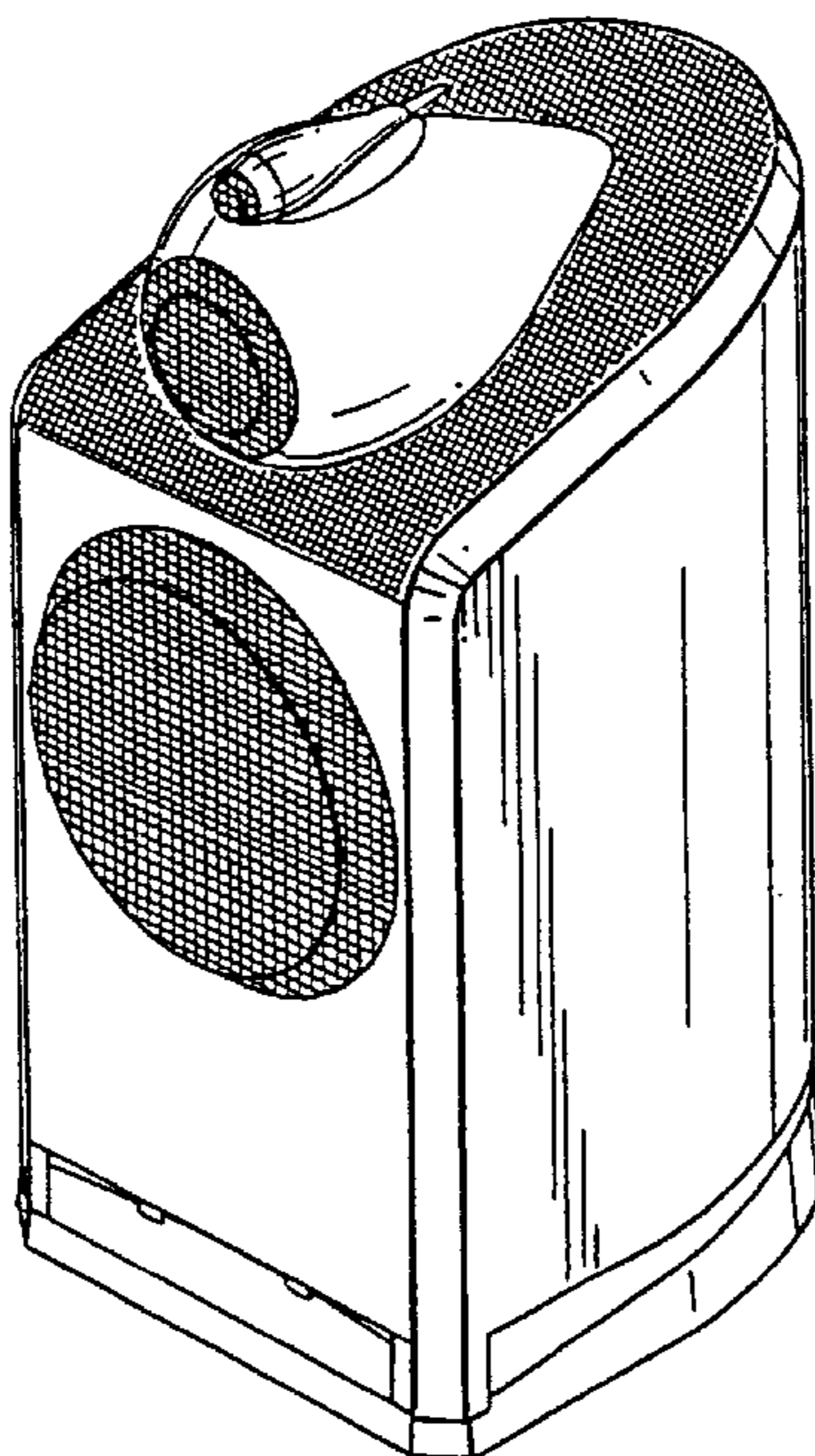
FIG. 4 is a side elevation view thereof;

FIG. 5 is a top plan view thereof;

FIG. 6 is a bottom plan view thereof; and,

FIG. 7 is a side elevation view thereof, viewed from the opposite direction to FIG. 4.

1 Claim, 3 Drawing Sheets



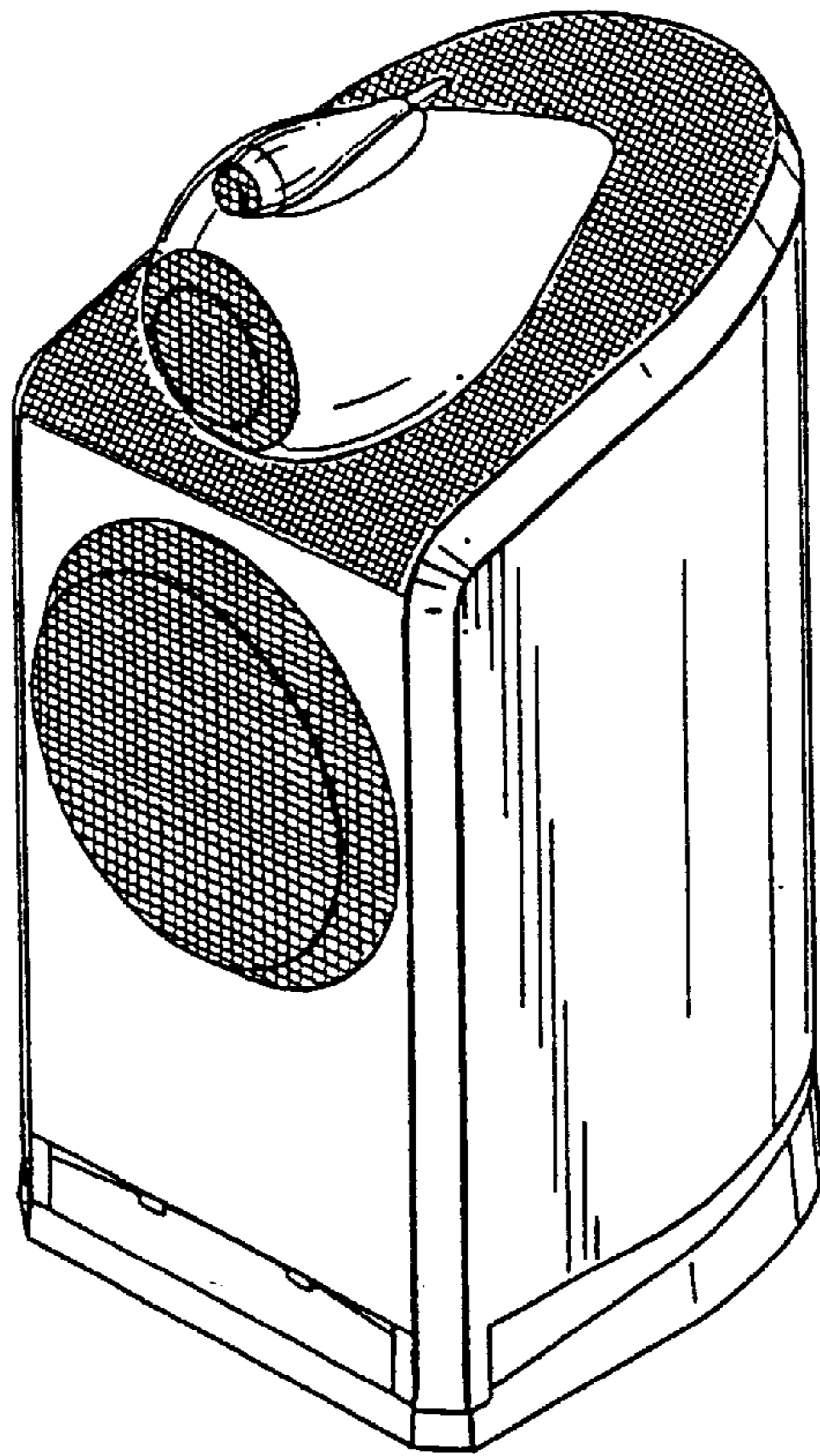


Fig. 1

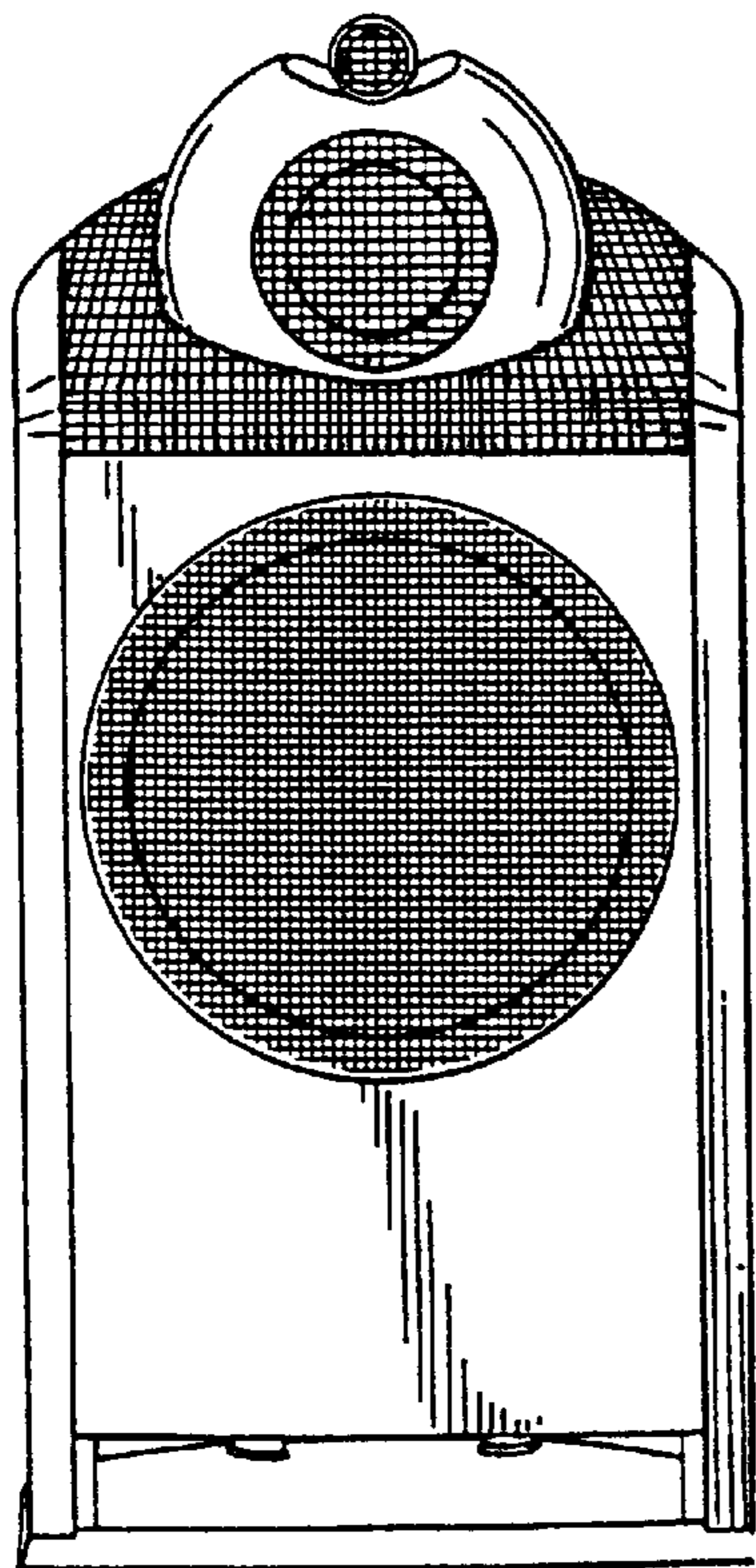


Fig. 2

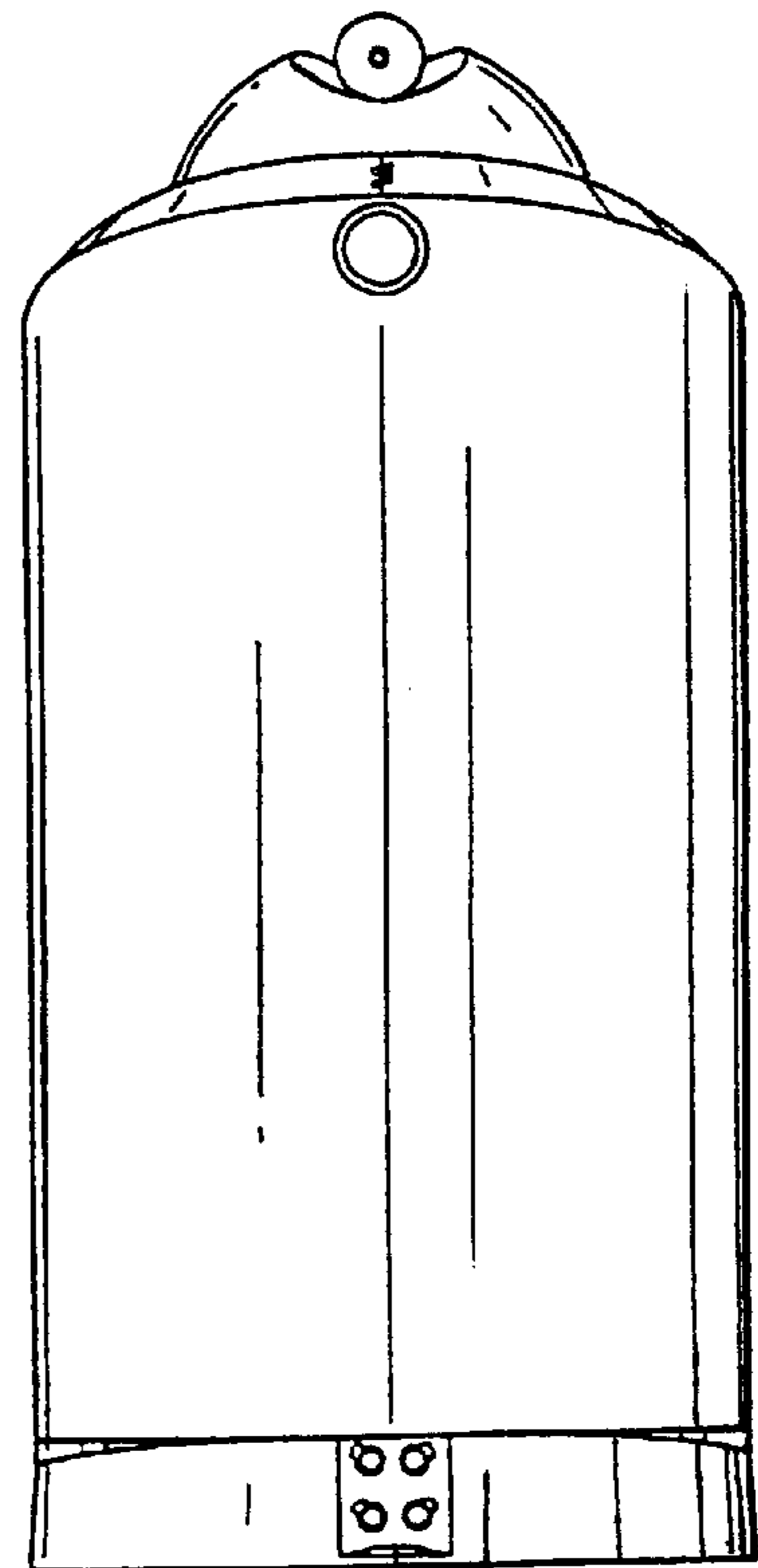


Fig. 3

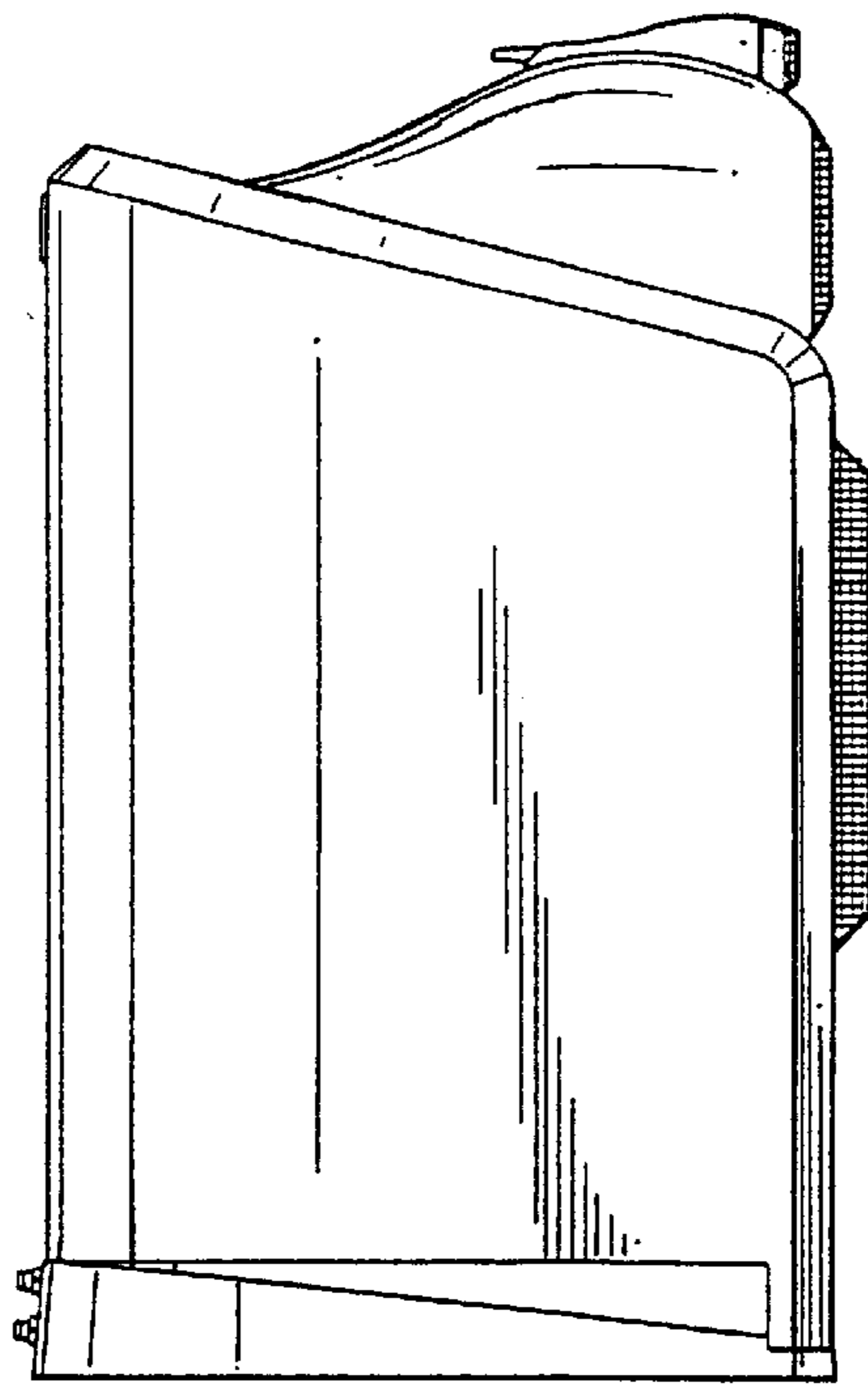


Fig. 4

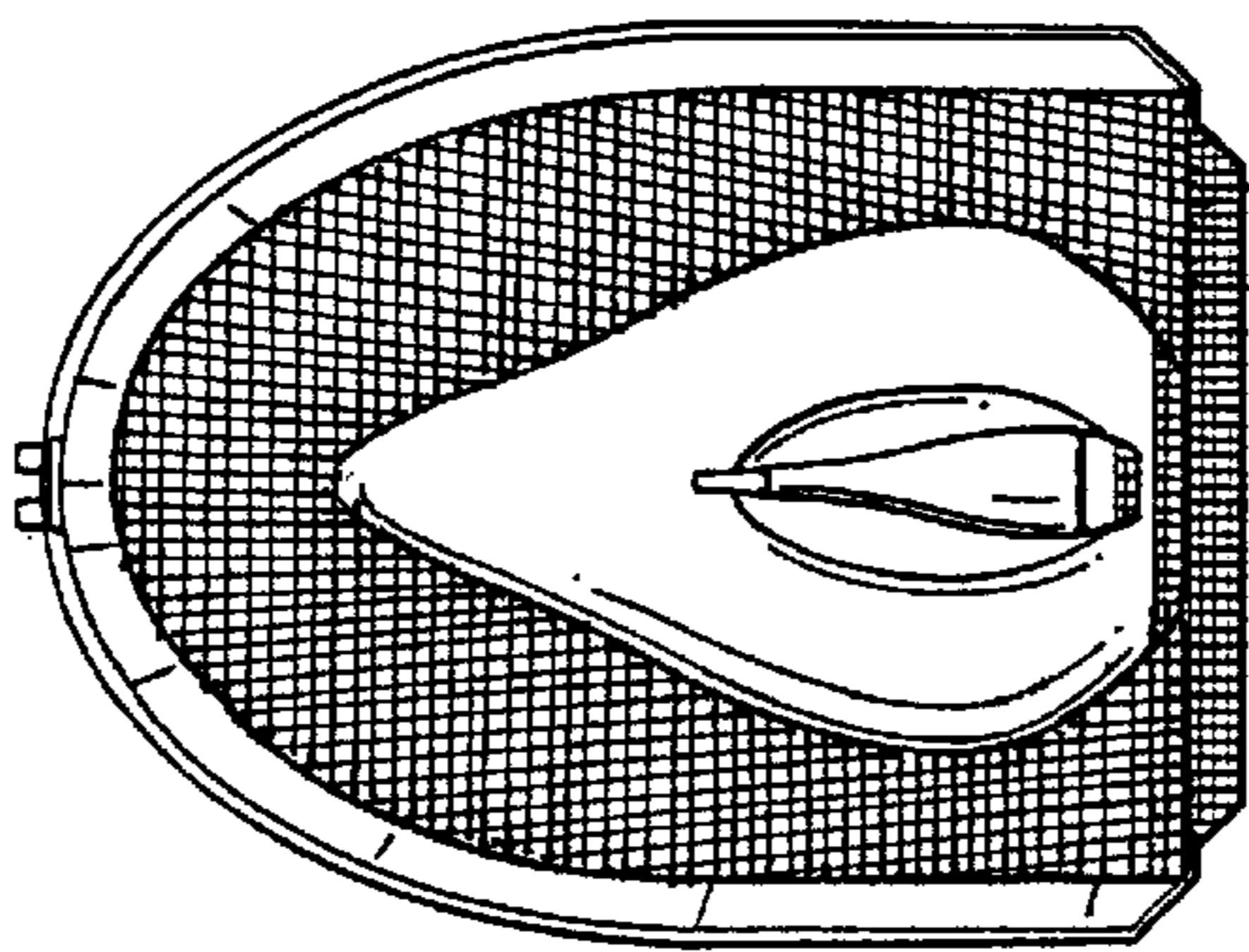


Fig. 5

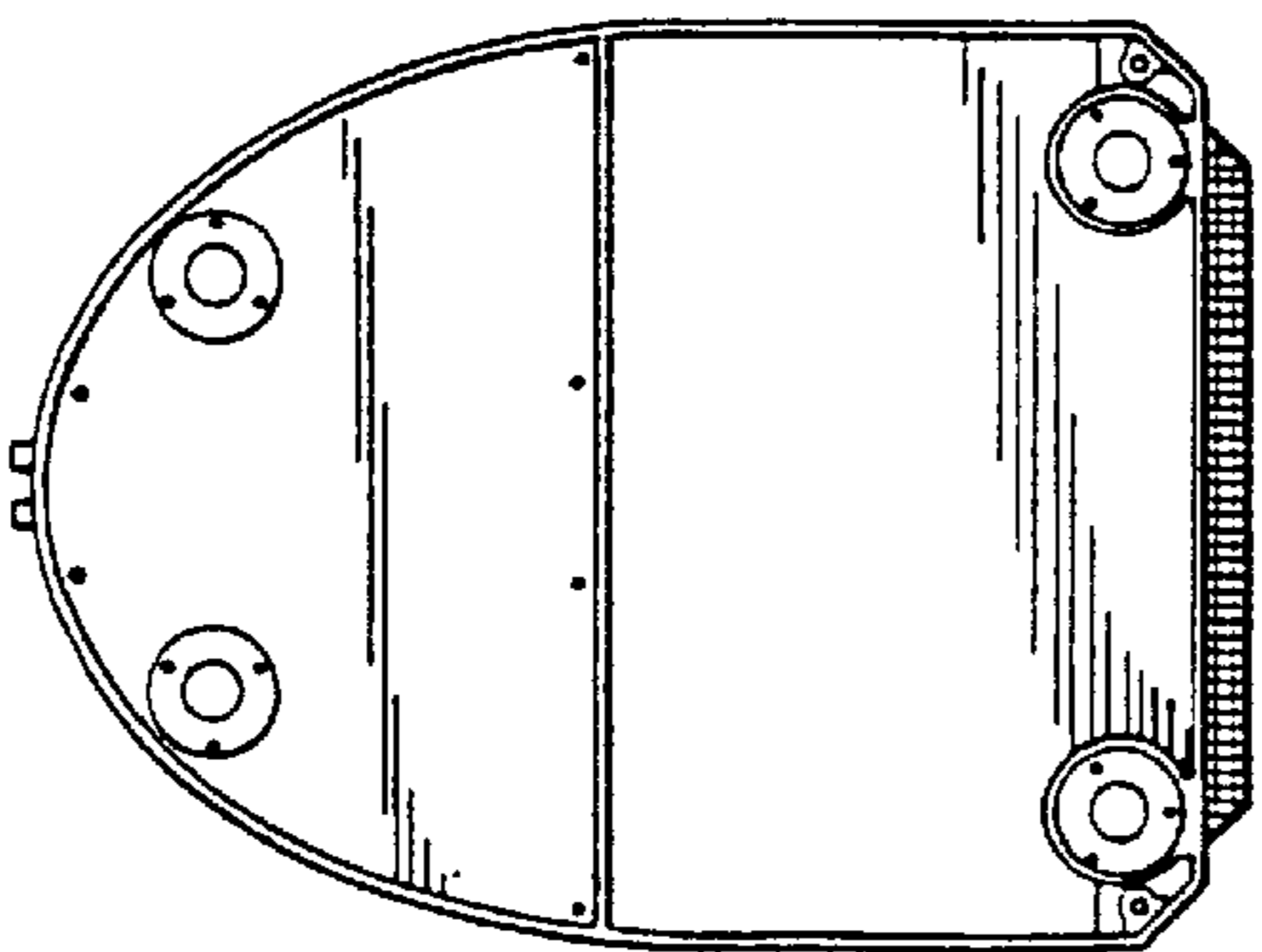


Fig. 6

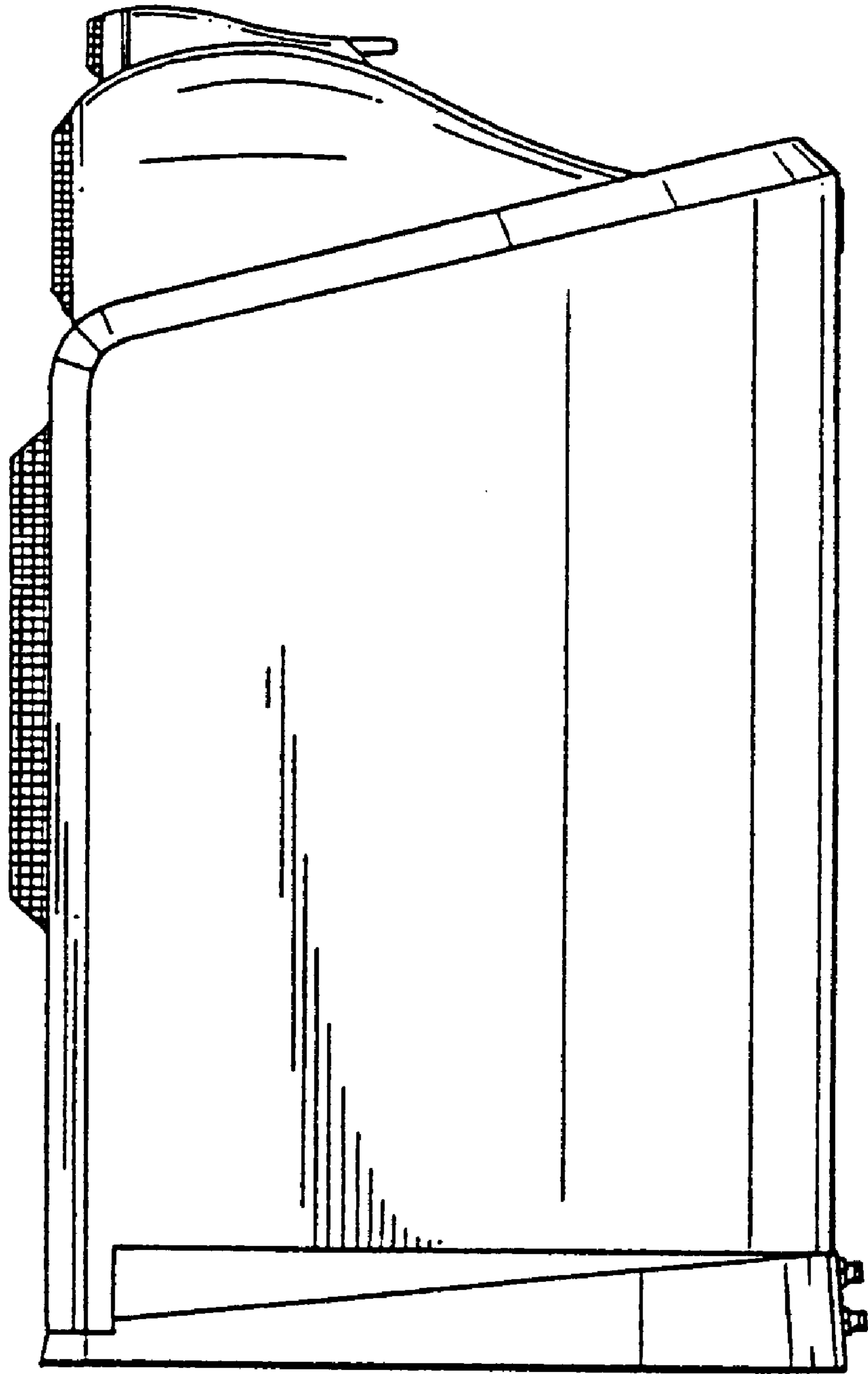


Fig. 7

UNITED STATES PATENT AND TRADEMARK OFFICE
CERTIFICATE OF CORRECTION

PATENT NO. : D416,020
DATED : November 2, 1999
INVENTOR(S) : Morten V. WARREN


It is certified that error appears in the above-identified patent and that said Letters Patent is hereby corrected as shown below:

On the cover page, insert the following:

--[30] Foreign Application Priority Data
Apr. 14, 1998 [GB] United Kingdom.....2073933--.

Signed and Sealed this
Twelfth Day of September, 2000

Attest:



Q. TODD DICKINSON

Attesting Officer

Director of Patents and Trademarks