



US00D416019S

United States Patent [19]
Chan

[11] **Patent Number: Des. 416,019**

[45] **Date of Patent: ** Nov. 2, 1999**

[54] **RADIO WITH CASSETTE PLAYER**

[75] Inventor: **Kui-Wai Chan**, Siu Lek Yuen, The Hong Kong Special Administrative Region of the People's Republic of China

[73] Assignee: **Wai Hang Electronic Co., Ltd.**, The Hong Kong Special Administrative Region of the People's Republic of China

[**] Term: **14 Years**

[21] Appl. No.: **29/090,662**

[22] Filed: **Jul. 14, 1998**

[51] **LOC (6) Cl.** **14-01**

[52] **U.S. Cl.** **D14/163; D14/192**

[58] **Field of Search** D14/124, 160-165, D14/167-168, 188, 189, 192-198, 260; 455/344, 347, 350, 351

[56] **References Cited**

U.S. PATENT DOCUMENTS

D. 315,159 3/1991 Hino D14/163

D. 318,667 7/1991 Ikeyama et al. D14/161 X
D. 319,830 9/1991 Miyai D14/165 X
D. 350,749 9/1994 Wada et al. D14/163
D. 372,475 8/1996 Shudo D14/163

Primary Examiner—Nanda Bondade
Attorney, Agent, or Firm—Samuels, Gauthier & Stevens

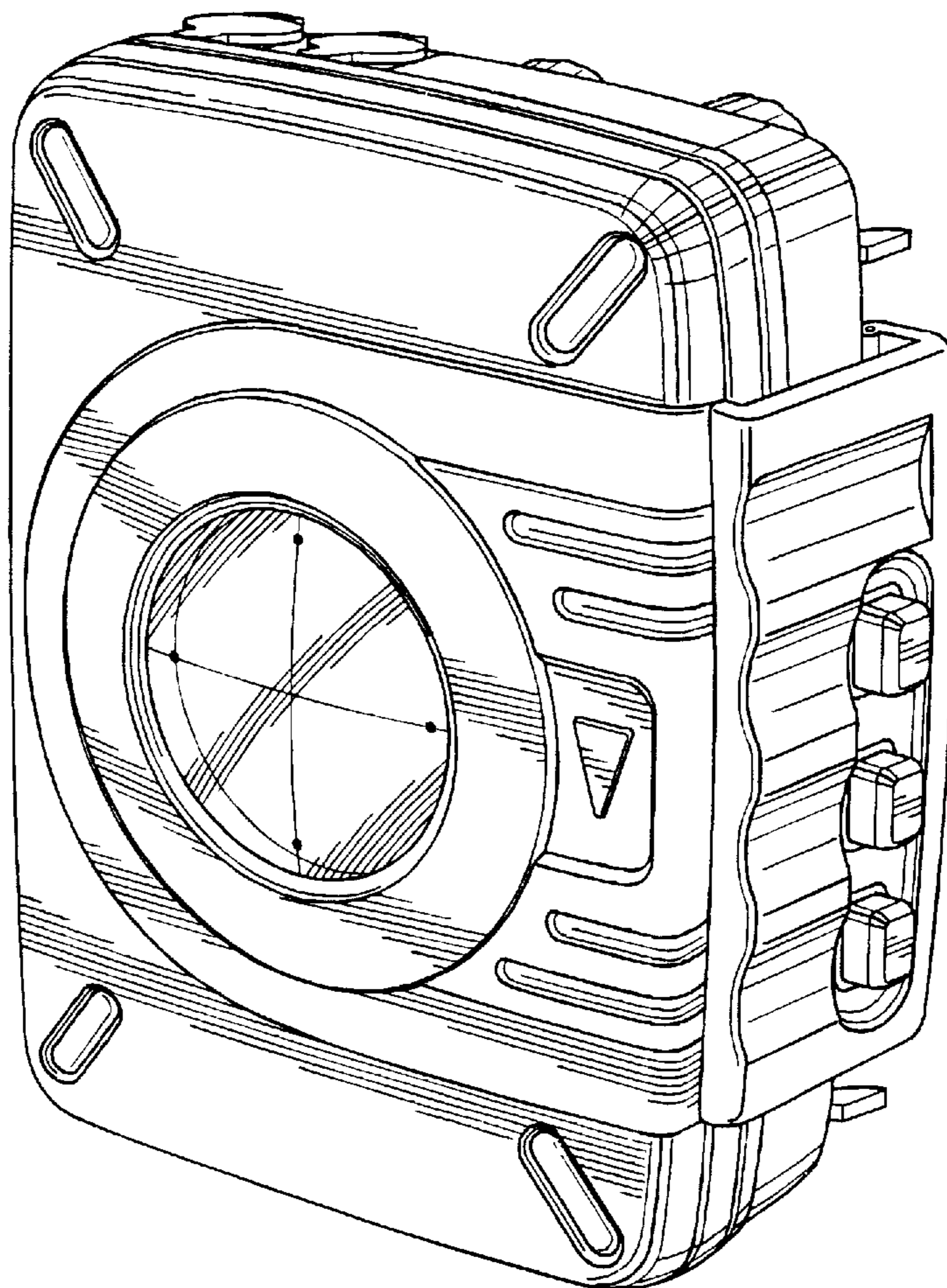
[57] **CLAIM**

The ornamental design for a radio with cassette player, as show and described.

DESCRIPTION

FIG. 1 is the front perspective view showing my new design;
FIG. 2 is the front view thereof;
FIG. 3 is the rear view thereof;
FIG. 4 is the left-hand view thereof;
FIG. 5 is the right-hand view thereof;
FIG. 6 is the top view thereof; and,
FIG. 7 is the bottom view thereof.

1 Claim, 4 Drawing Sheets



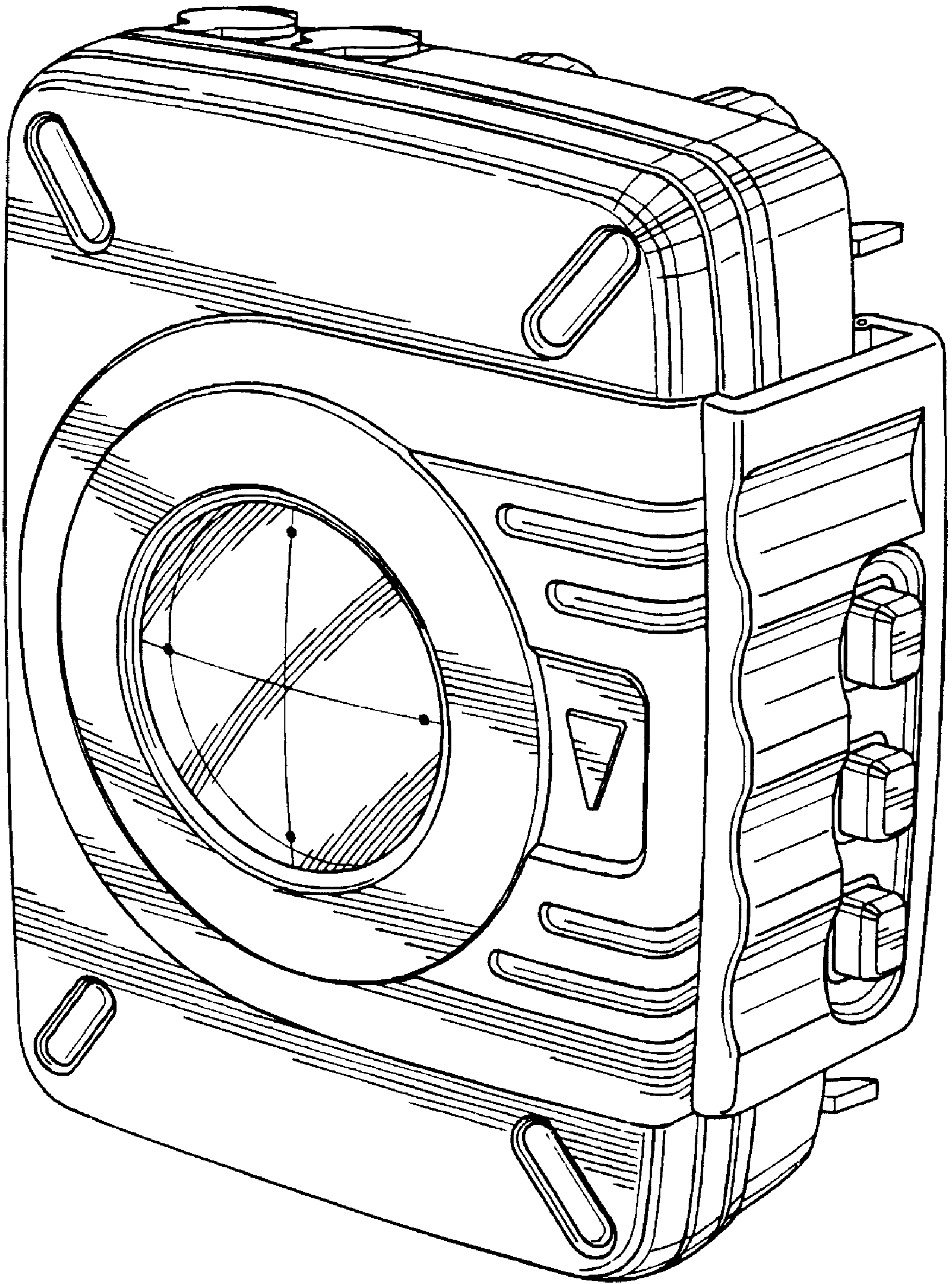


FIG. 1

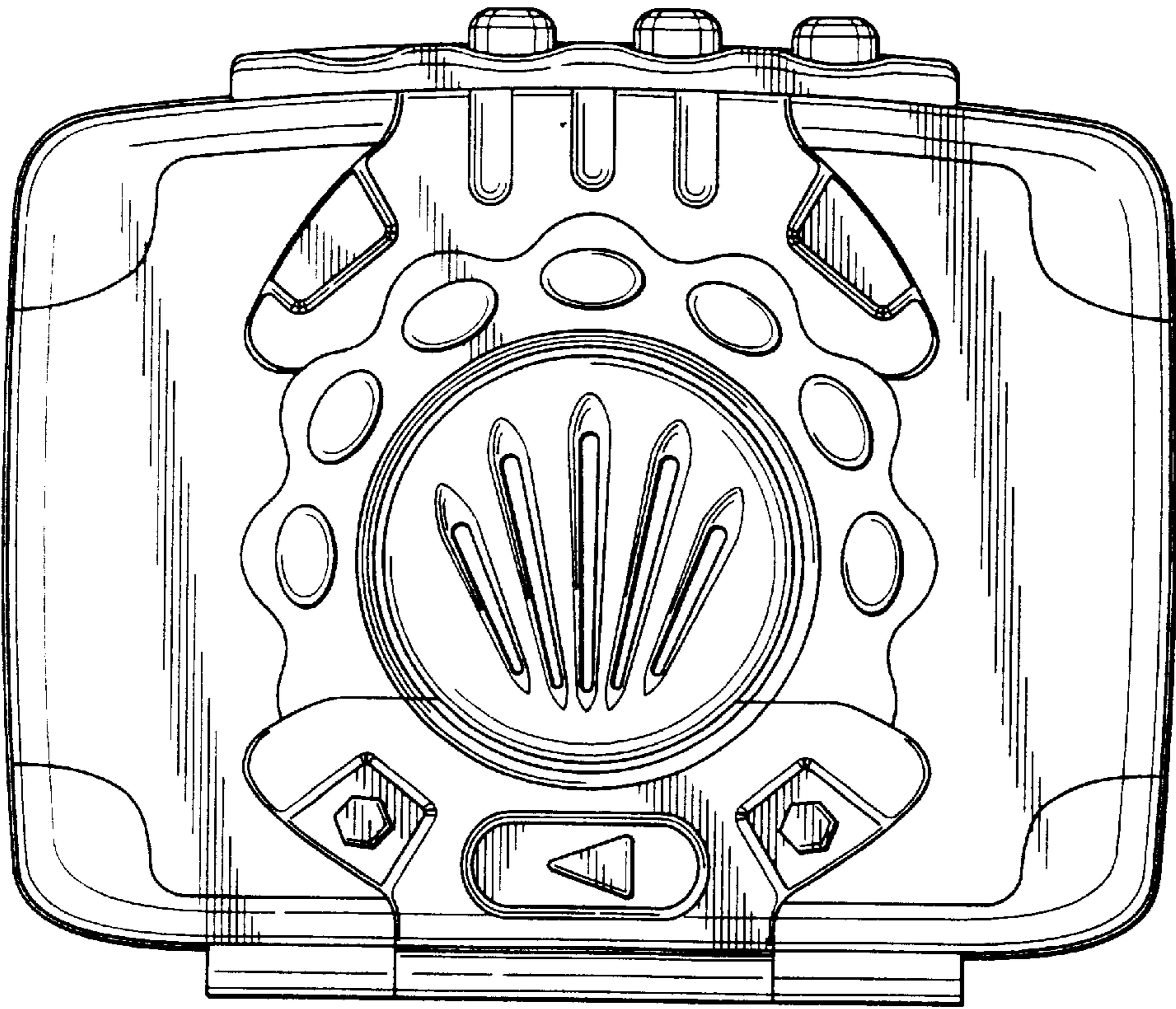


FIG. 2

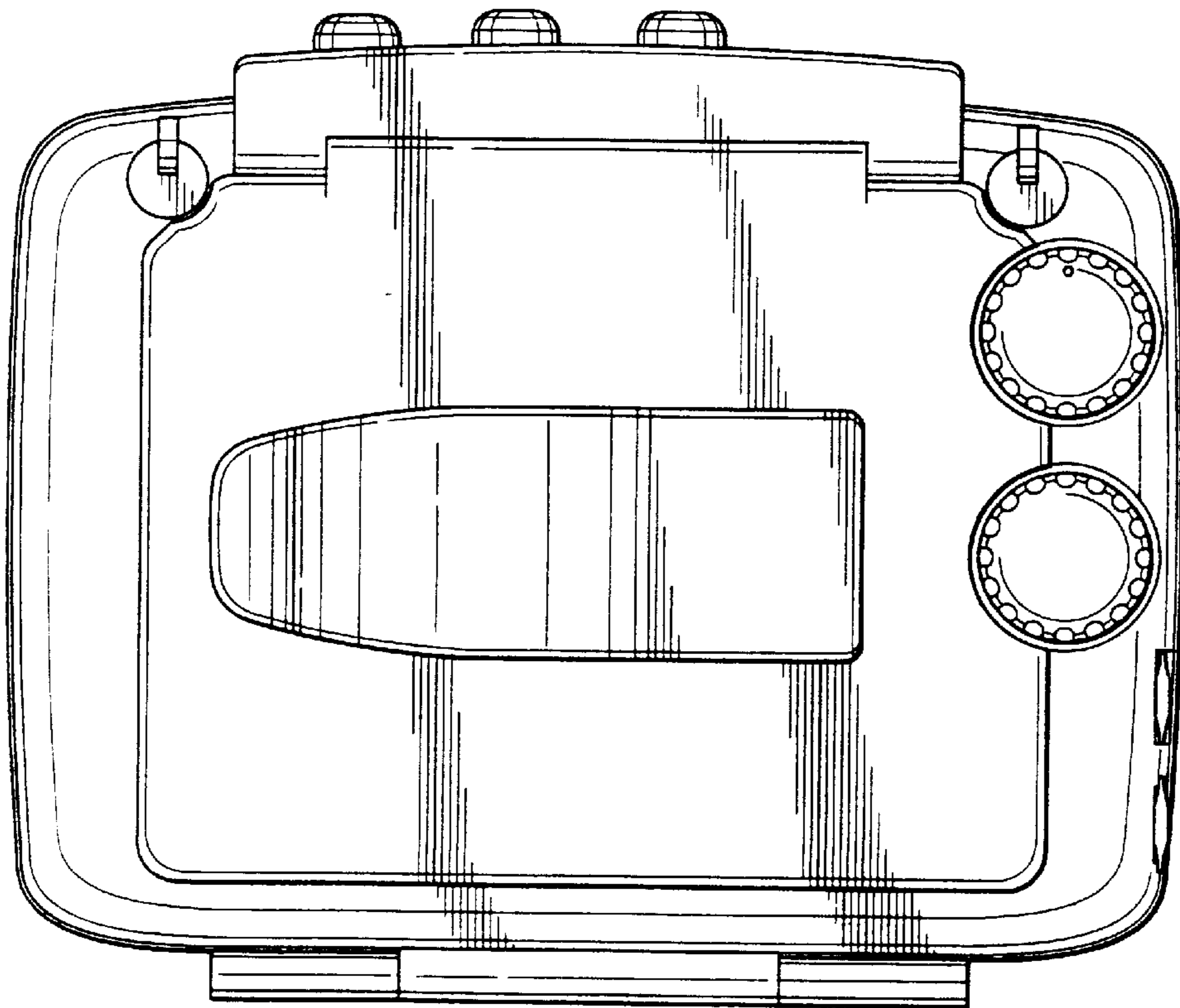


FIG. 3

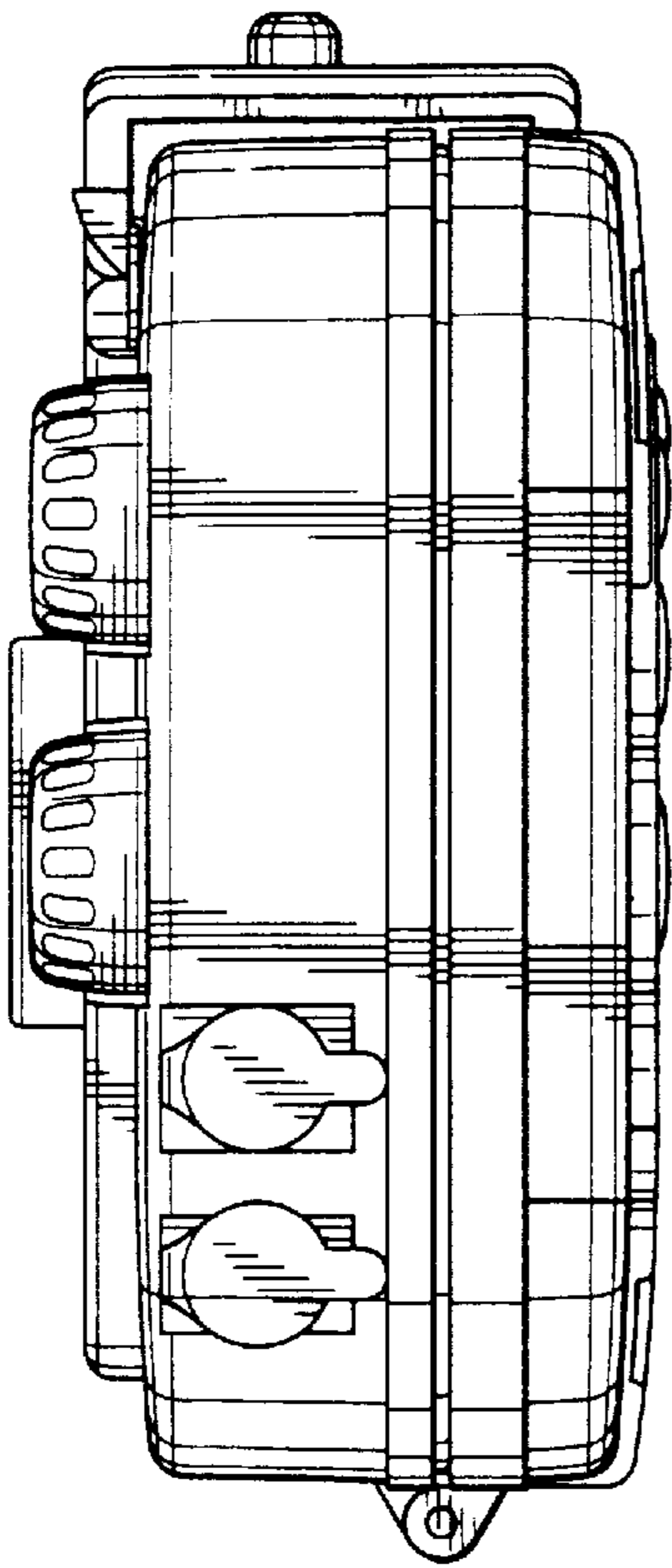


FIG. 4

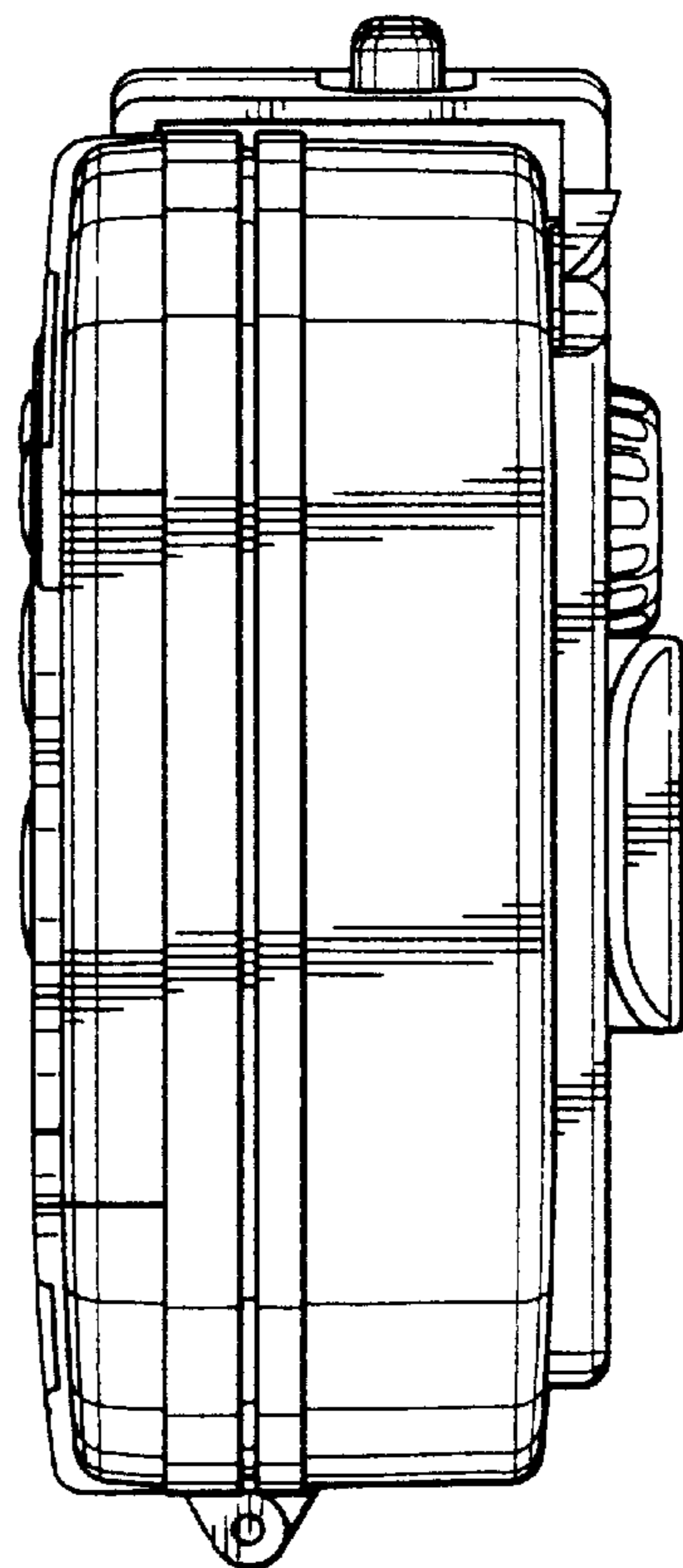


FIG. 5

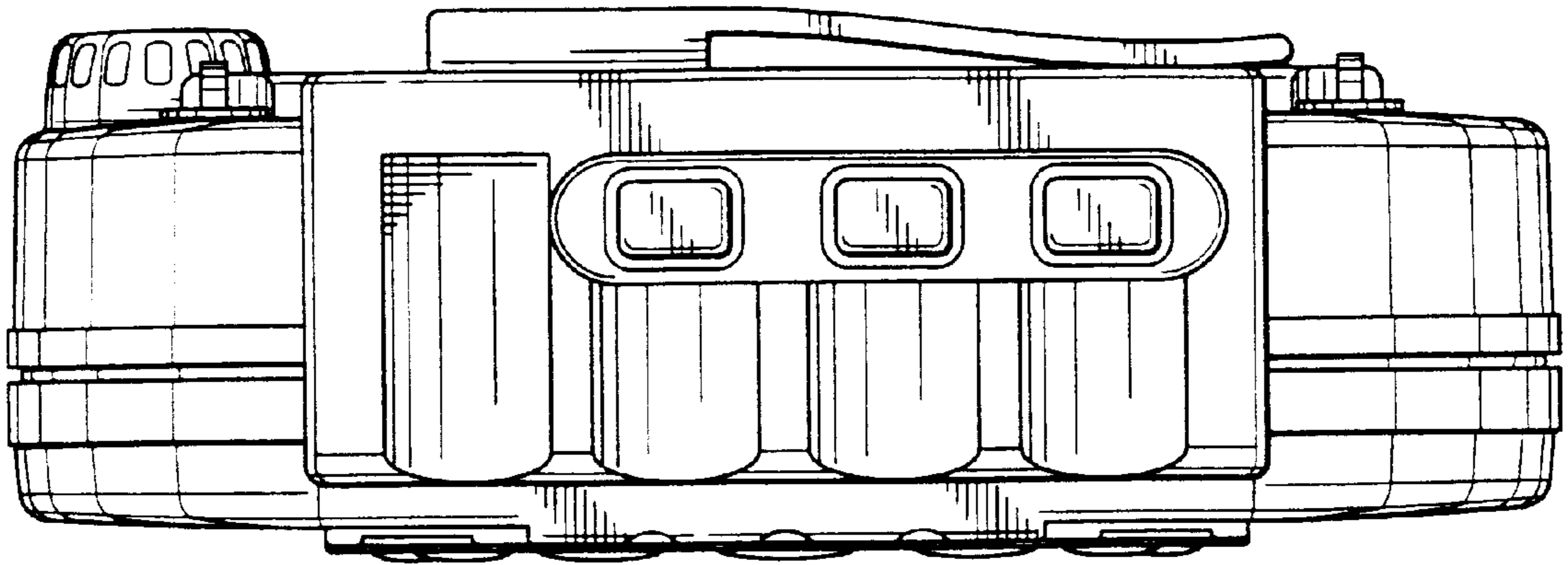


FIG. 6

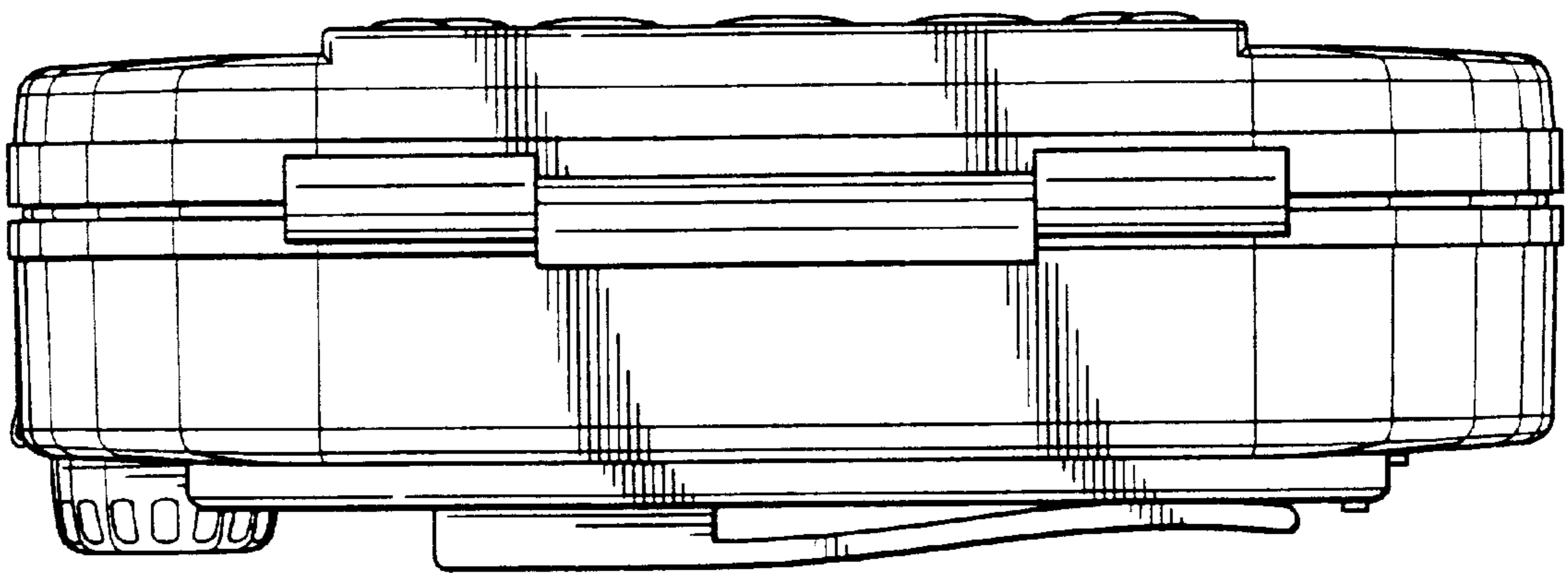


FIG. 7