



US00D416015S

United States Patent [19] Mitchell

[11] **Patent Number: Des. 416,015**

[45] **Date of Patent: ** Nov. 2, 1999**

[54] **TV/VIDEO UNIT**

D. 391,927 3/1998 Faranda et al. D14/106
5,287,246 2/1994 Sen 361/683

[75] Inventor: **Ciaran Liam Mitchell**, Hong Kong,
The Hong Kong Special Administrative
Region of the People's Republic of
China

Primary Examiner—Ted Shooman
Assistant Examiner—Richelle Shelton
Attorney, Agent, or Firm—Merchant & Gould P.C.

[73] Assignee: **Parolia (Far East) Limited**, Aberdeen,
The Hong Kong Special Administrative
Region of the People's Republic of
China

[57] **CLAIM**

The ornamental design for a TV/video unit, as shown and described.

[**] Term: **14 Years**

DESCRIPTION

[21] Appl. No.: **29/095,239**

FIG. 1 is a perspective view of the TV/video unit in an opened position.

[22] Filed: **Oct. 19, 1998**

FIG. 2 is a front view thereof.

[30] **Foreign Application Priority Data**

Apr. 20, 1998 [HK] The Hong Kong Special Administra-
tive Region of the People's Republic
of China 9810547

FIG. 3 is a rear view thereof.

FIG. 4 is a left side view thereof.

[51] **LOC (6) Cl.** **14-03**

[52] **U.S. Cl.** **D14/132; D14/106**

FIG. 5 is a right side view thereof.

FIG. 6 is a top plan view thereof.

[58] **Field of Search** D14/106, 113,
D14/126-134; 312/7.2; 348/836, 838; 361/683

FIG. 7 is a bottom view thereof; and,

FIG. 8 is a perspective view of the TV/video unit in a closed position.

[56] **References Cited**

U.S. PATENT DOCUMENTS

D. 358,340 5/1995 Murata et al. D14/106 X

1 Claim, 4 Drawing Sheets

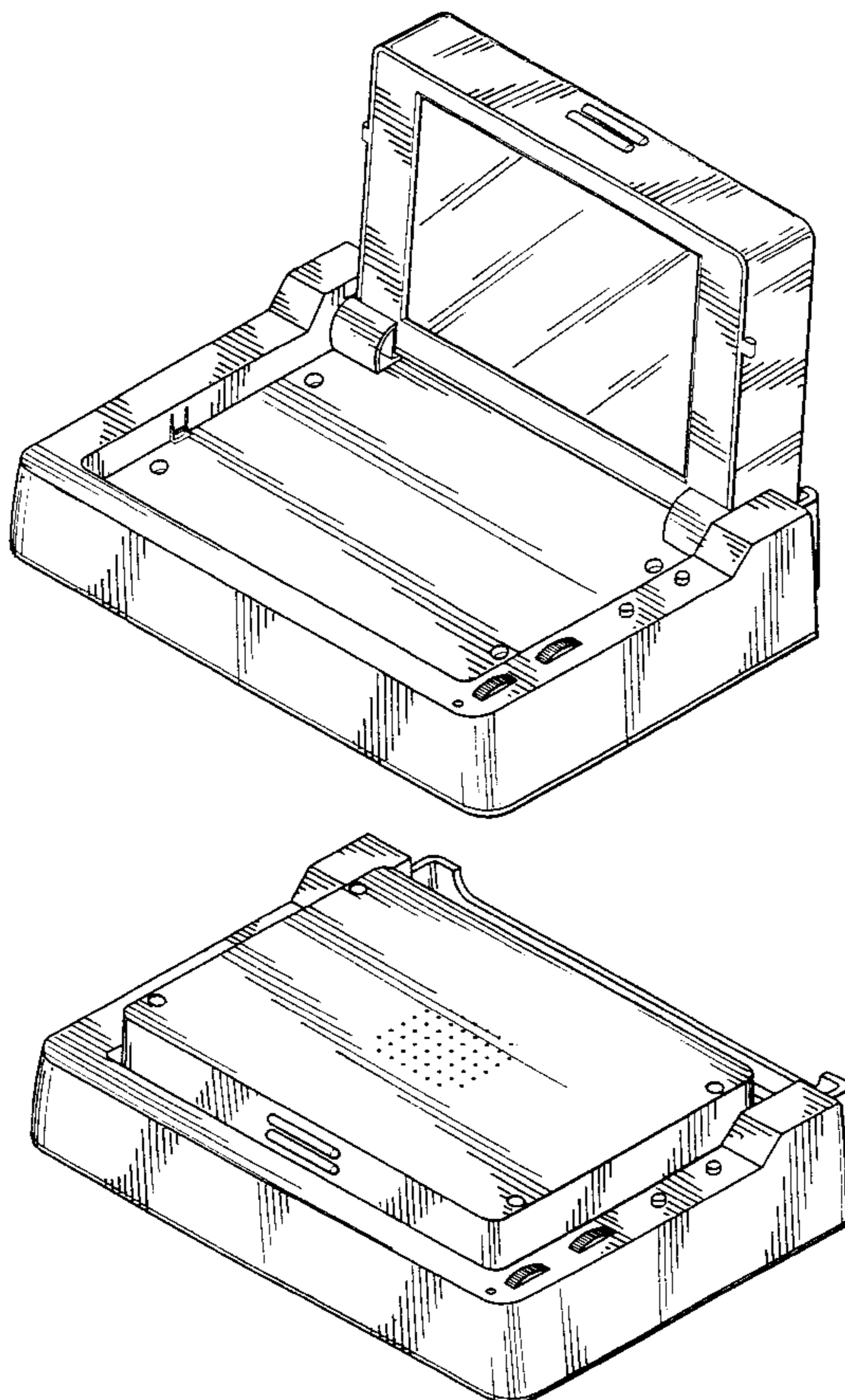


FIG. 1

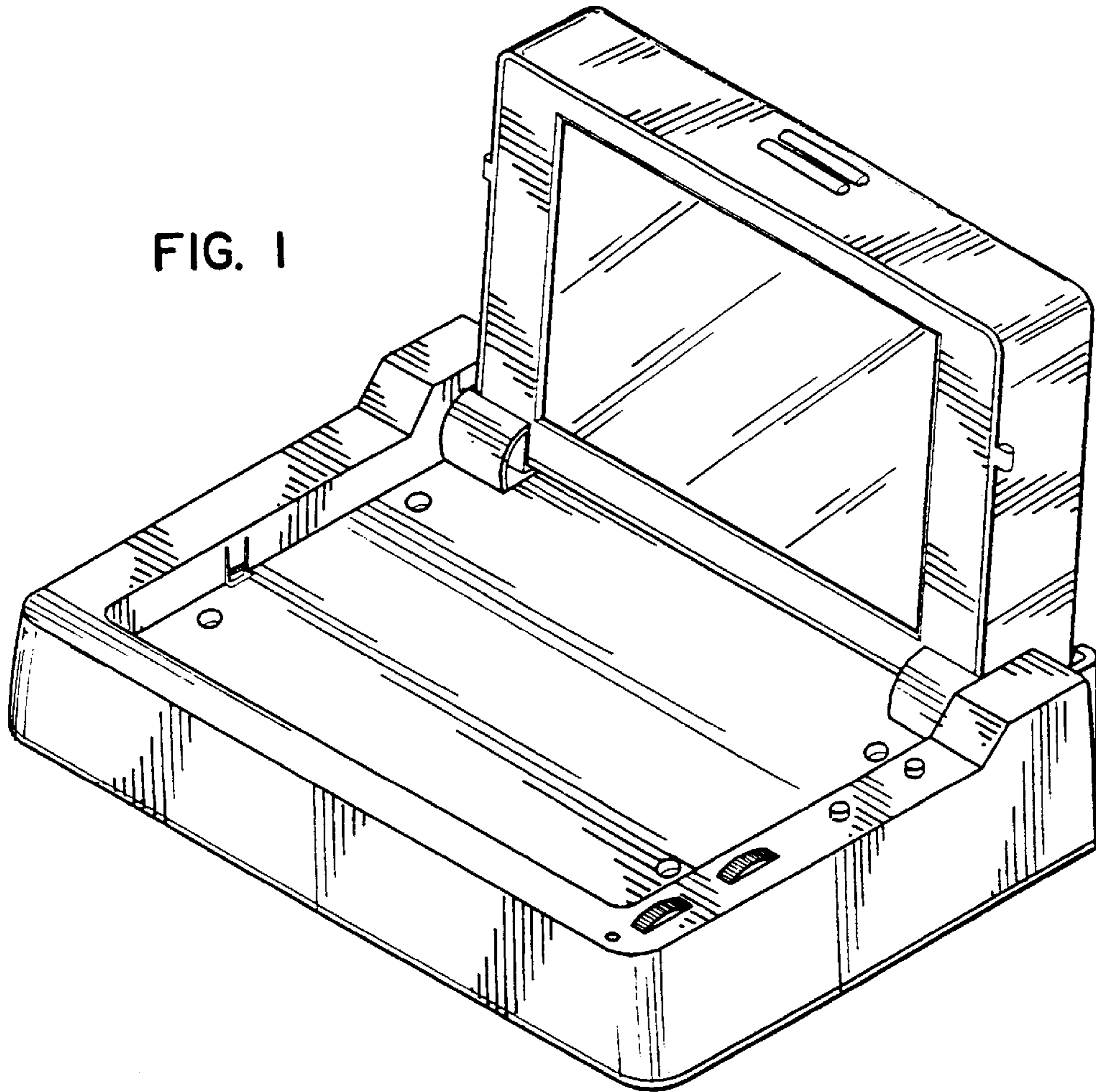


FIG. 8

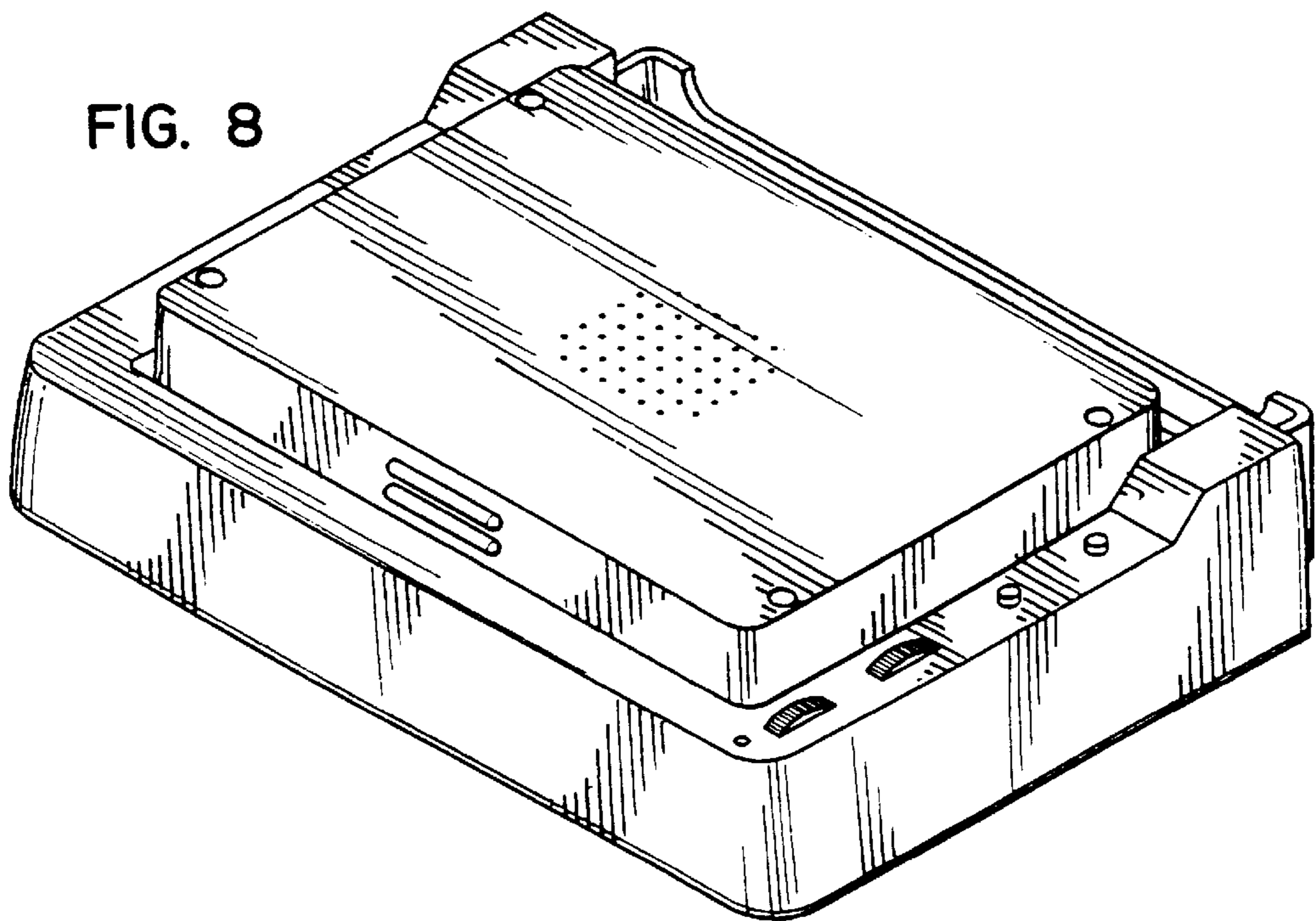


FIG. 2

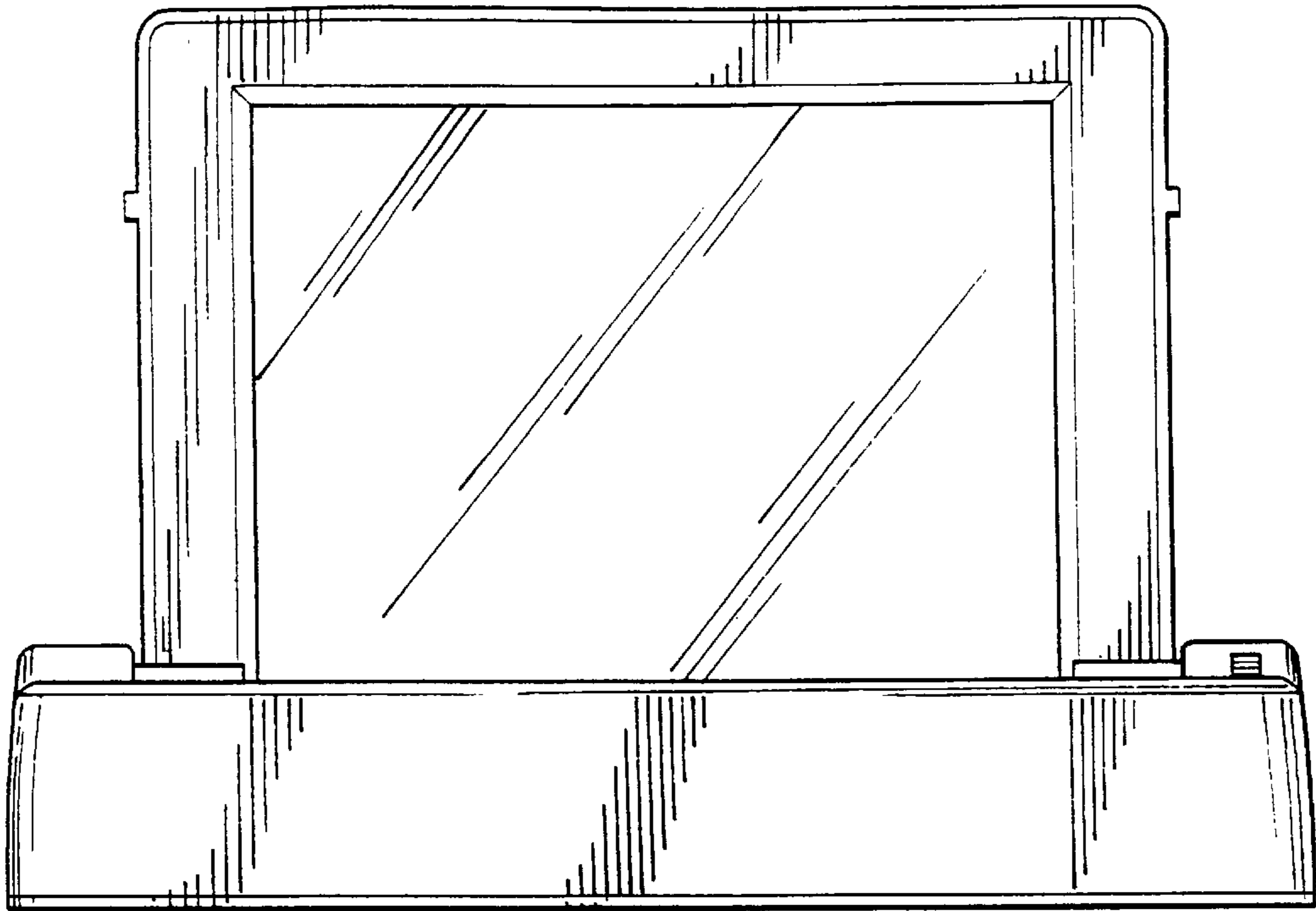


FIG. 6

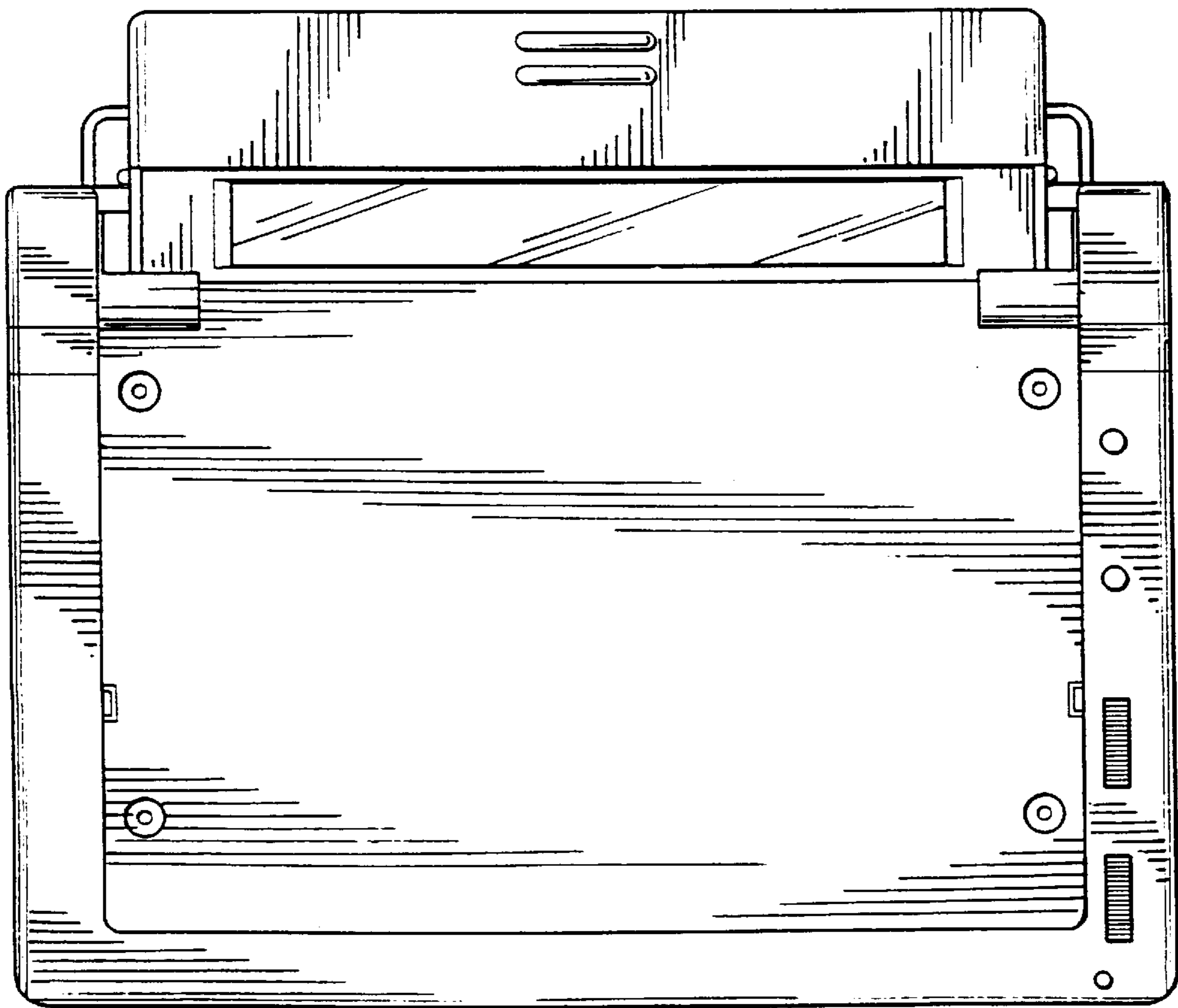


FIG. 3

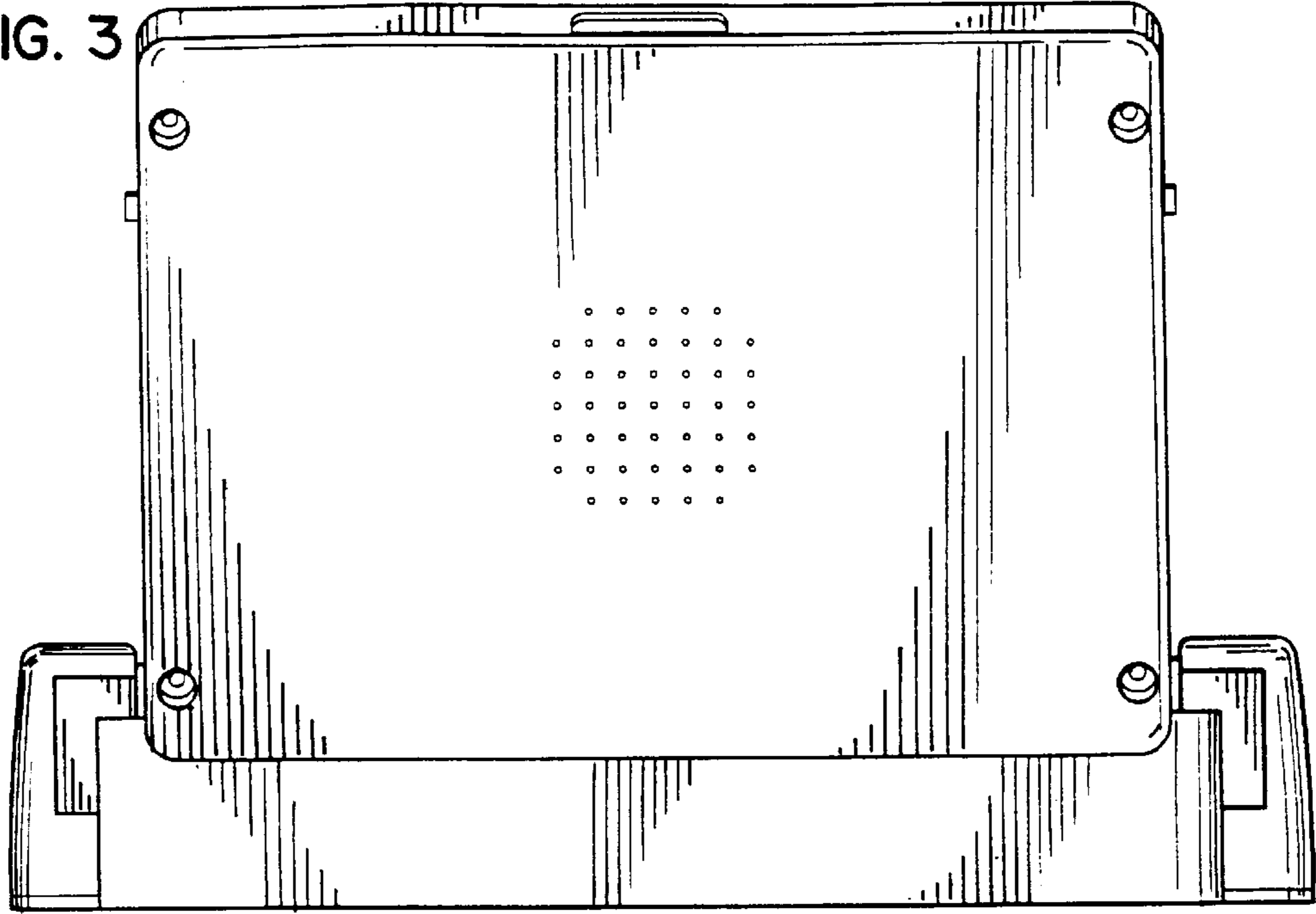


FIG. 7

