



US00D416011S

# United States Patent [19]

[11] **Patent Number: Des. 416,011**

**Miyahara et al.**

[45] **Date of Patent: \*\* Nov. 2, 1999**

[54] **PORTION OF HANDHELD COMPUTER**

D. 397,679 9/1998 Hawkins et al. .... D14/100

[75] Inventors: **Akihiro Miyahara**, Kunitachi;  
**Yukinori Ido**, Tokyo; **Hiroaki Hishiyama**, Tachikawa, all of Japan

*Primary Examiner*—Freda Nunn  
*Attorney, Agent, or Firm*—Frishauf, Holtz, Goodman,  
Langer & Chick, P.C.

[73] Assignee: **Casio Keisanki Kabushiki Kaisha**,  
Tokyo, Japan

### [57] CLAIM

[\*\*] Term: **14 Years**

The ornamental design for a portion of handheld computer,  
as shown and described.

[21] Appl. No.: **29/096,667**

### DESCRIPTION

[22] Filed: **Nov. 18, 1998**

[51] **LOC (6) Cl.** ..... **14-02**

[52] **U.S. Cl.** ..... **D14/115; D14/100; D14/114**

[58] **Field of Search** ..... D14/100, 106,  
D14/114, 115; D18/1, 2, 7; D19/26, 52,  
59, 60; 345/104, 156, 168, 173; 364/708.1;  
341/22, 23; 235/145 A, 145 R; 200/5 A,  
5 R, 6 A, 6 R; 400/472, 479, 484-486,  
488, 489

FIG. 1 is a front elevational view of a portion of handheld  
computer, showing our new design;  
FIG. 2 is a right side elevational view thereof;  
FIG. 3 is a top plan view thereof;  
FIG. 4 is a bottom plan view thereof;  
FIG. 5 is a rear elevational view thereof;  
FIG. 6 is a left side elevational view thereof; and,  
FIG. 7 is an enlarged end view, taken along the line 7—7 in  
FIG. 1.

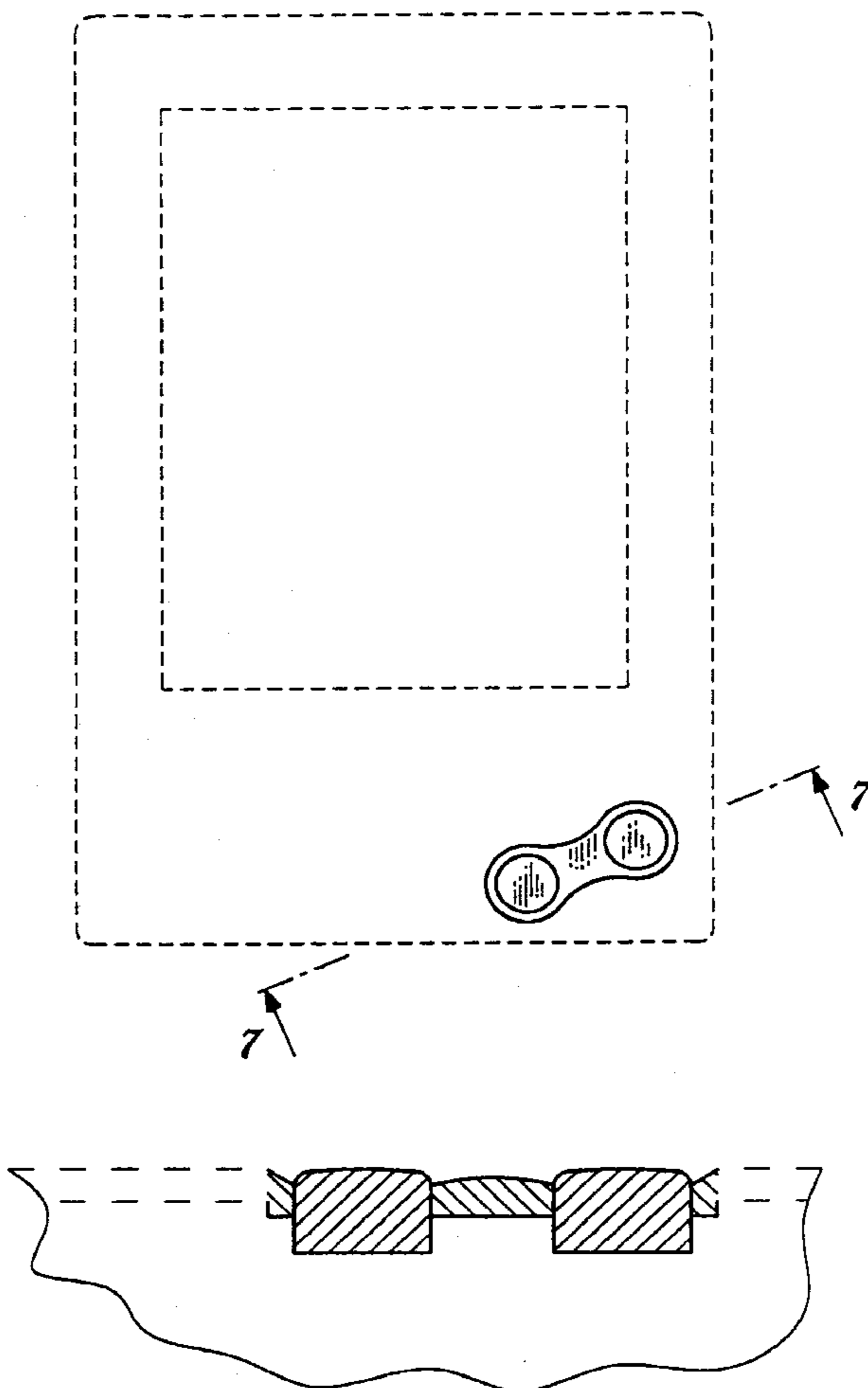
The broken line showing of the remaining parts of a portion  
of handheld computer is for illustrative purposes only and  
forms no part of the claimed design.

### [56] References Cited

#### U.S. PATENT DOCUMENTS

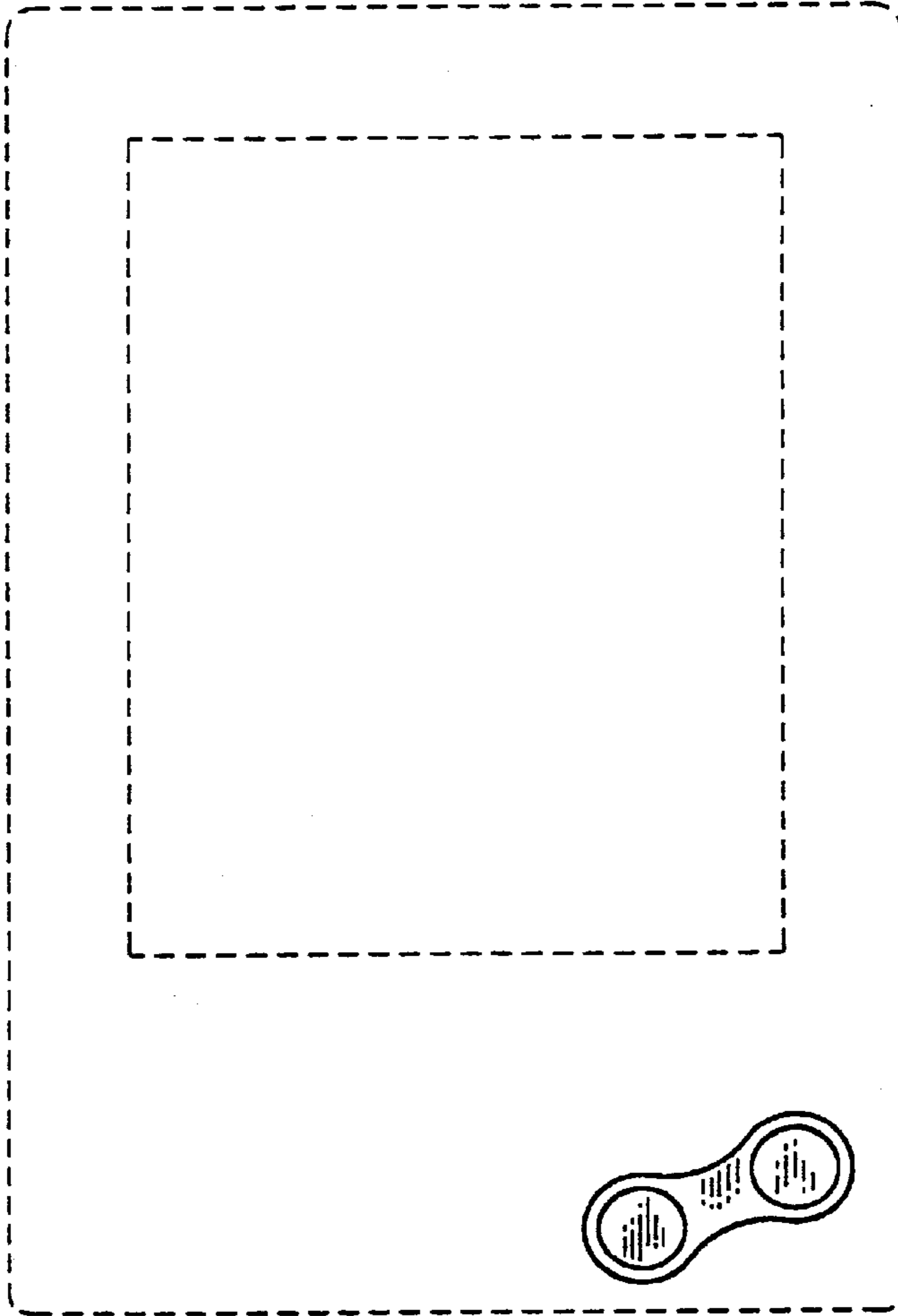
D. 354,478 1/1995 Miyahara ..... D14/100

**1 Claim, 2 Drawing Sheets**

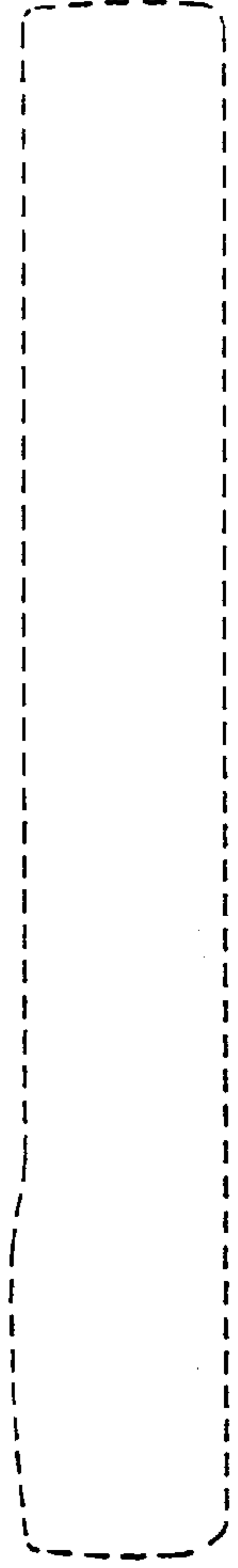




*Fig. 3*



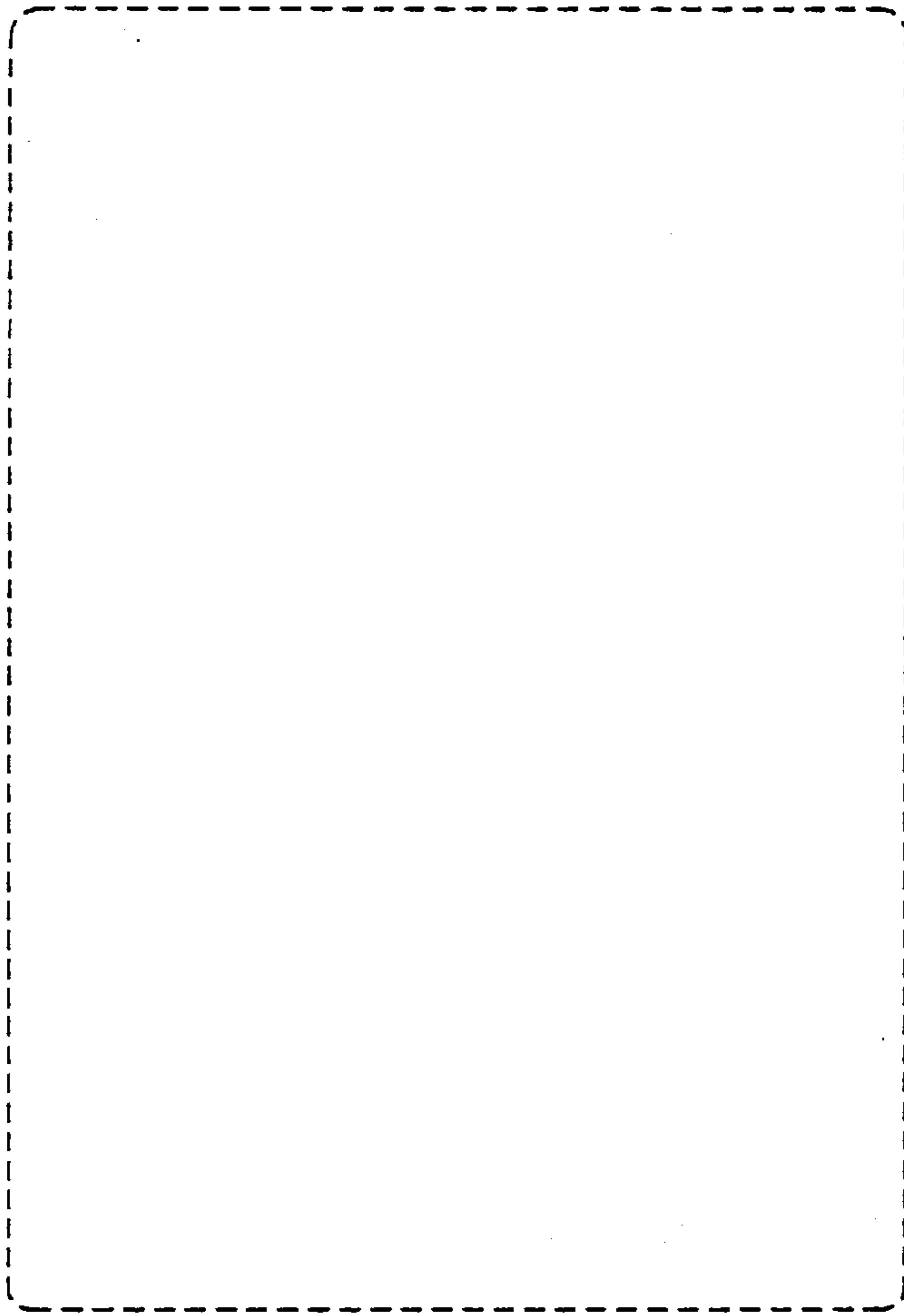
*Fig. 1*



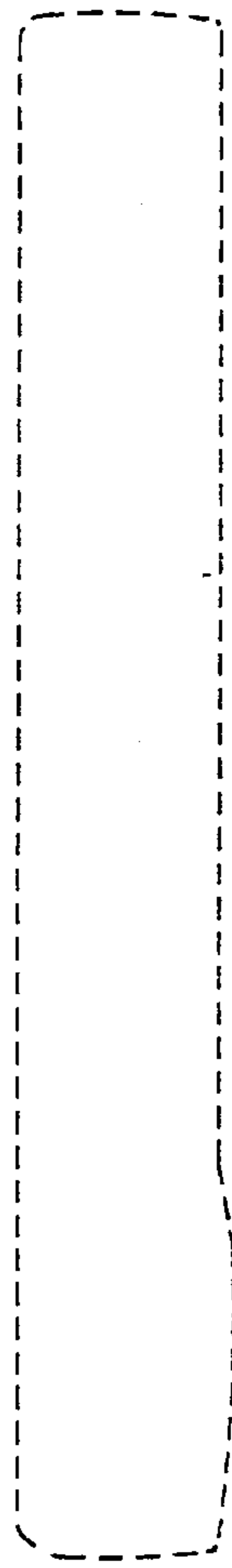
*Fig. 2*



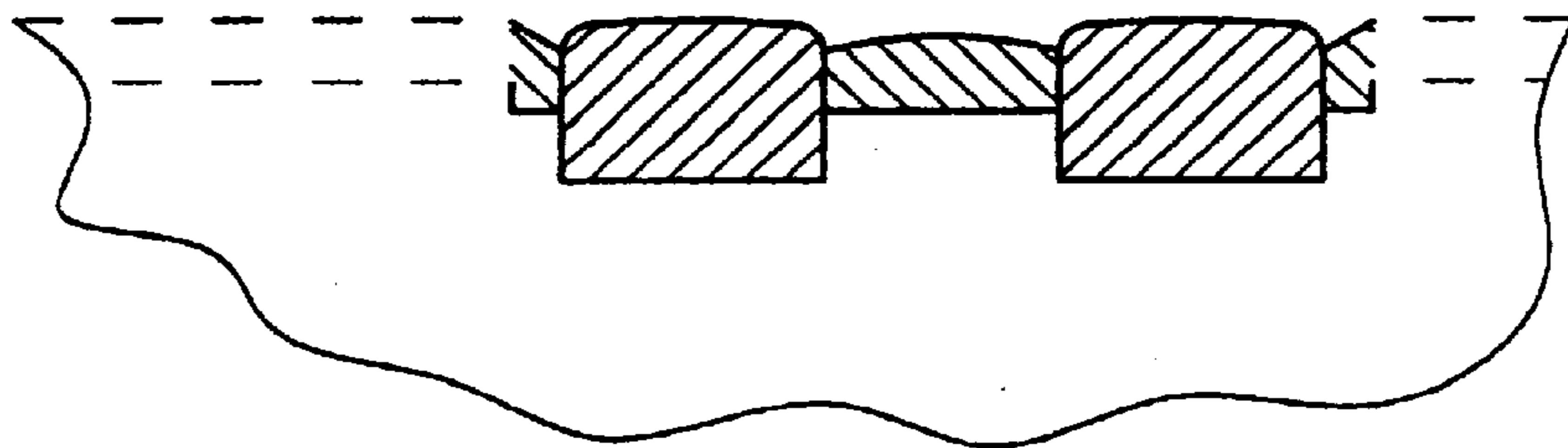
*Fig. 4*



*Fig. 5*



*Fig. 6*



*Fig. 7*