



US00D416010S

United States Patent [19]

Jean et al.

[11] **Patent Number: Des. 416,010**

[45] **Date of Patent: ** Nov. 2, 1999**

[54] **COMPUTER FRONT PANEL**

[75] Inventors: **Paul Jean**, Taipei Hsien; **Kaven Kan**, Taipei, both of Taiwan

[73] Assignee: **Hon Hai Precision Ind. Co., Ltd.**, Taipei Hsien, Taiwan

[**] Term: **14 Years**

[21] Appl. No.: **29/096,192**

[22] Filed: **Nov. 5, 1998**

[30] **Foreign Application Priority Data**

May 8, 1998 [TW] Taiwan 87303406

[51] **LOC (6) Cl.** **14-02**

[52] **U.S. Cl.** **D14/115**

[58] **Field of Search** D14/100, 102, D14/107-109, 115, 257, 258; D10/103; D13/162, 184, 164, 177, 199; 312/223.2; 360/99.12; 361/600, 622, 724-728; 369/34, 36

[56] **References Cited**

U.S. PATENT DOCUMENTS

D. 371,351 7/1996 Lai D14/115
D. 382,263 8/1997 Lai D14/115

Primary Examiner—Freda Nunn

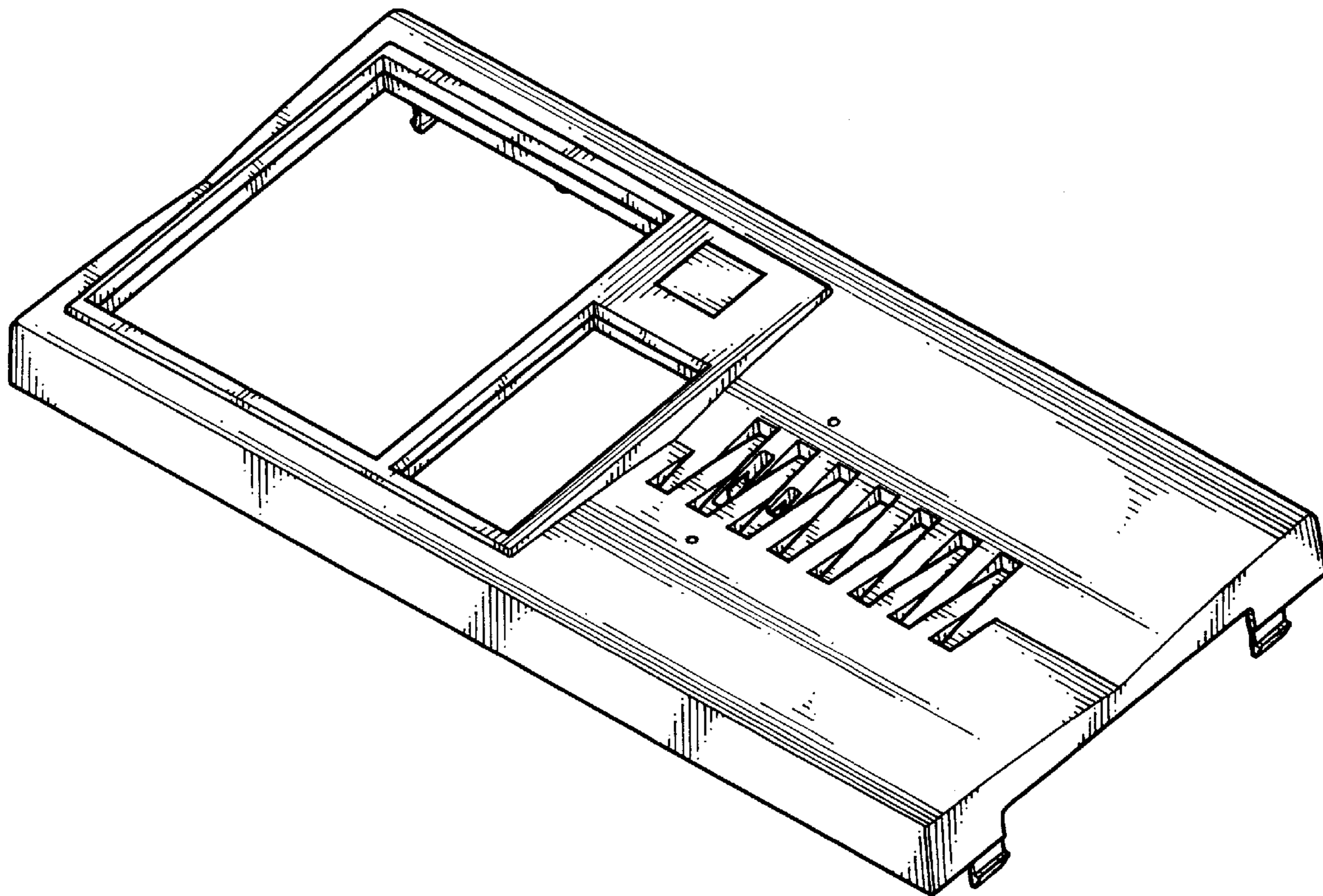
[57] **CLAIM**

The ornamental design for a computer front panel, as shown.

DESCRIPTION

FIG. 1 is a perspective view of a computer front panel showing our new design; FIG. 2 is a front elevational view thereof; FIG. 3 is a rear elevational view thereof; FIG. 4 is a left side elevational view thereof; FIG. 5 is a right side elevational view thereof; FIG. 6 is a top plan view thereof; and, FIG. 7 is a bottom plan view thereof.

1 Claim, 5 Drawing Sheets



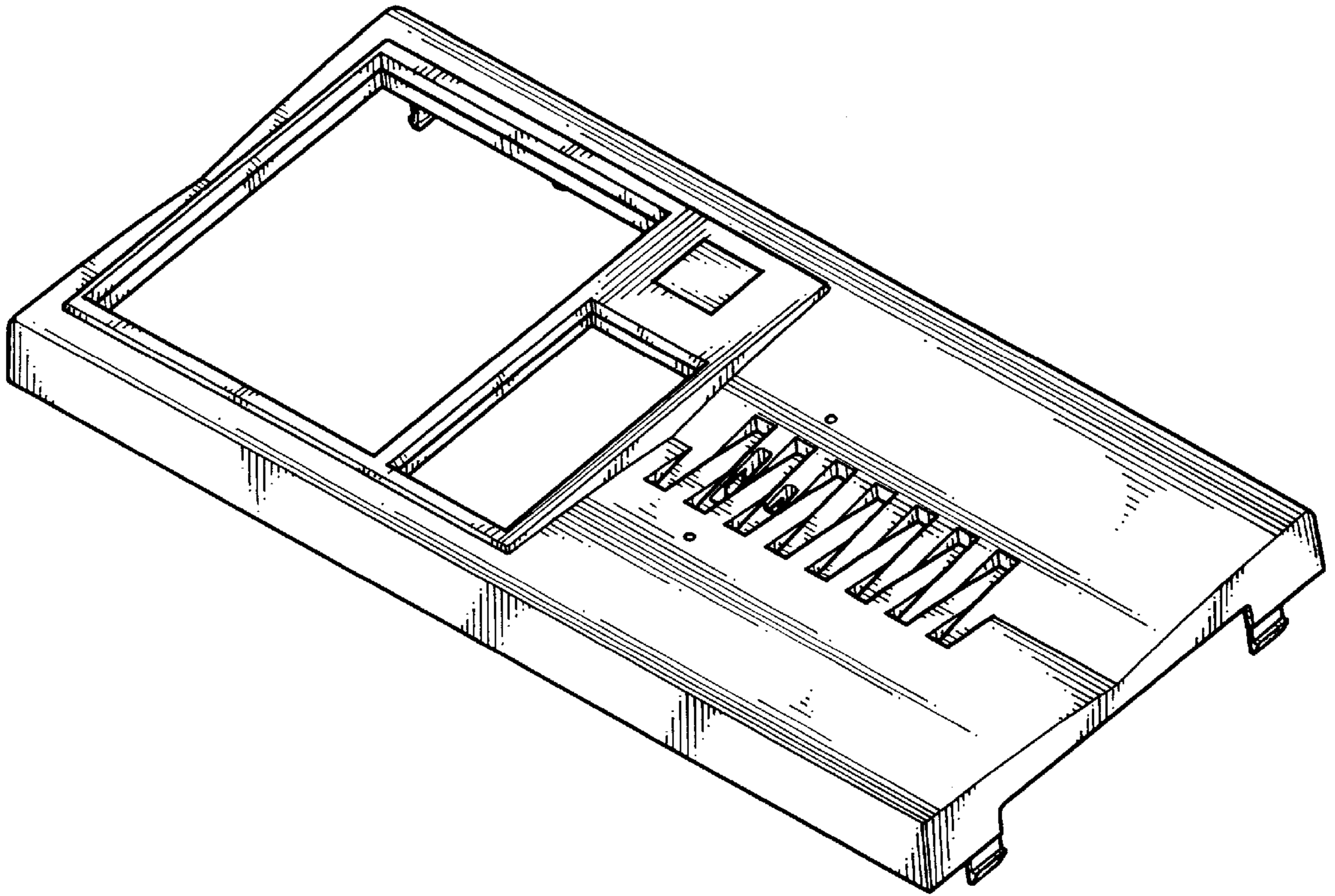


FIG.1

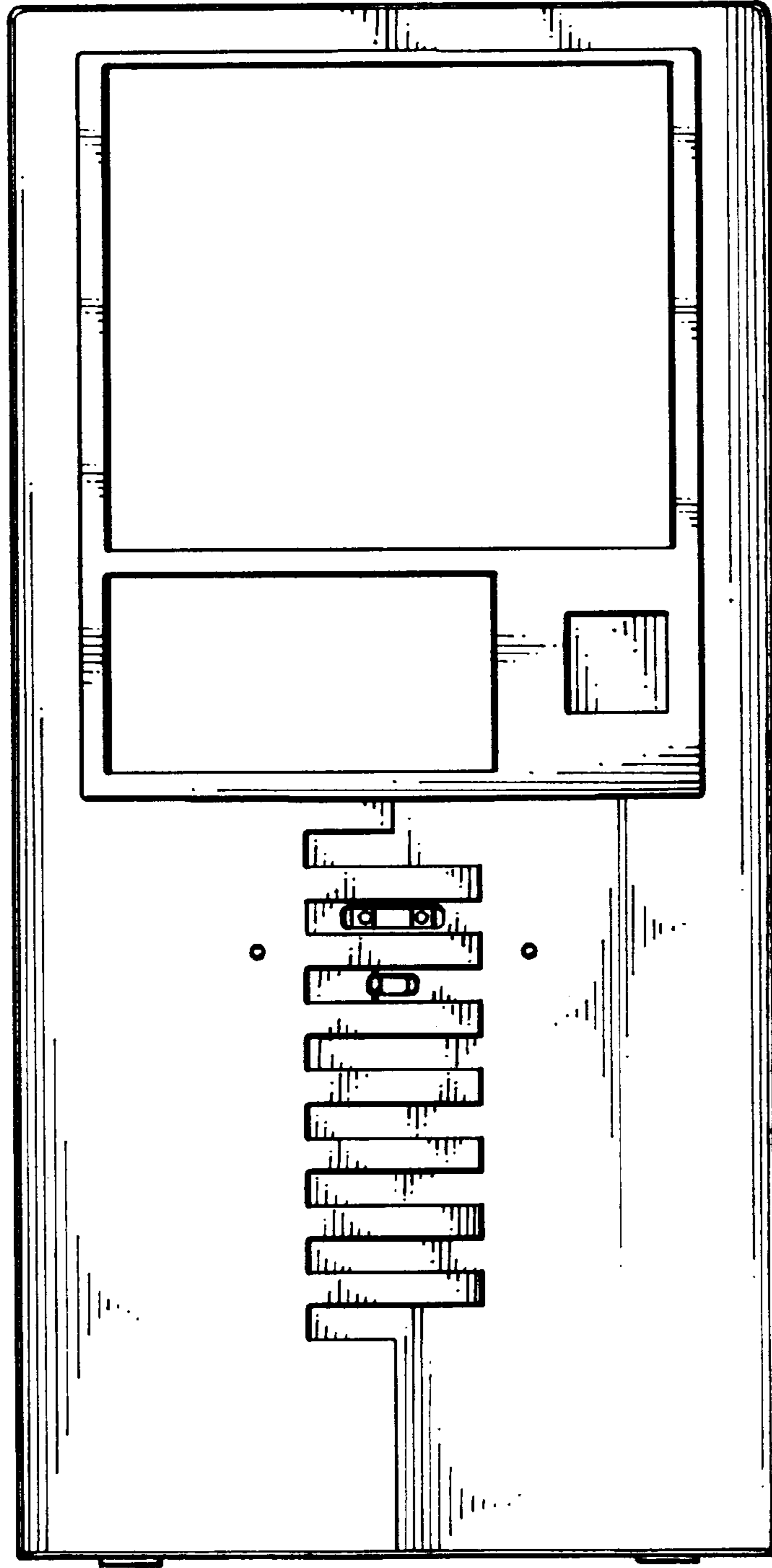


FIG. 2

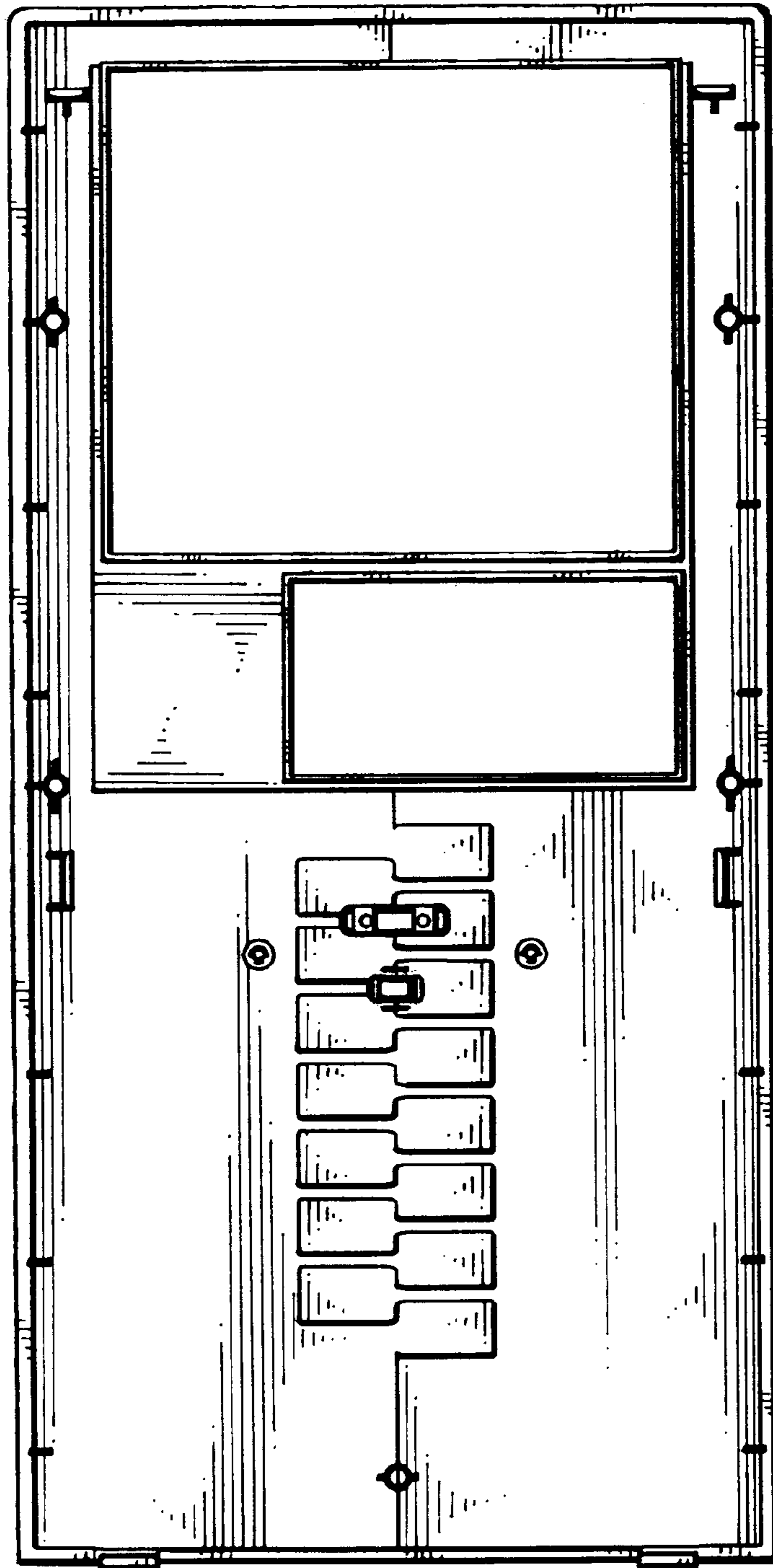


FIG. 3

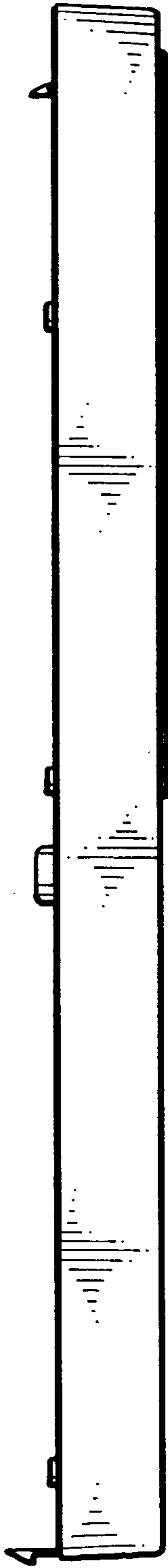


FIG. 4

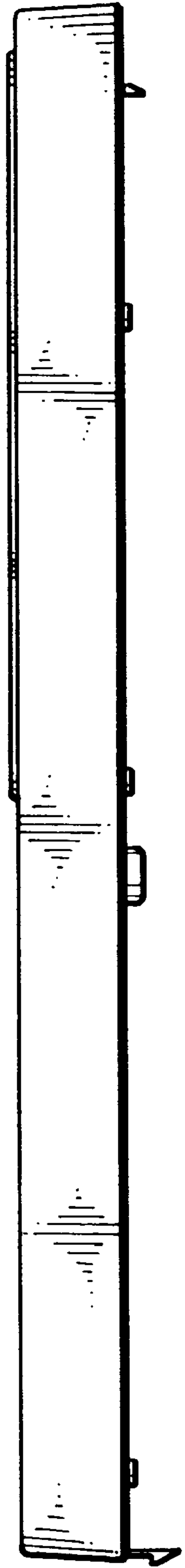


FIG. 5

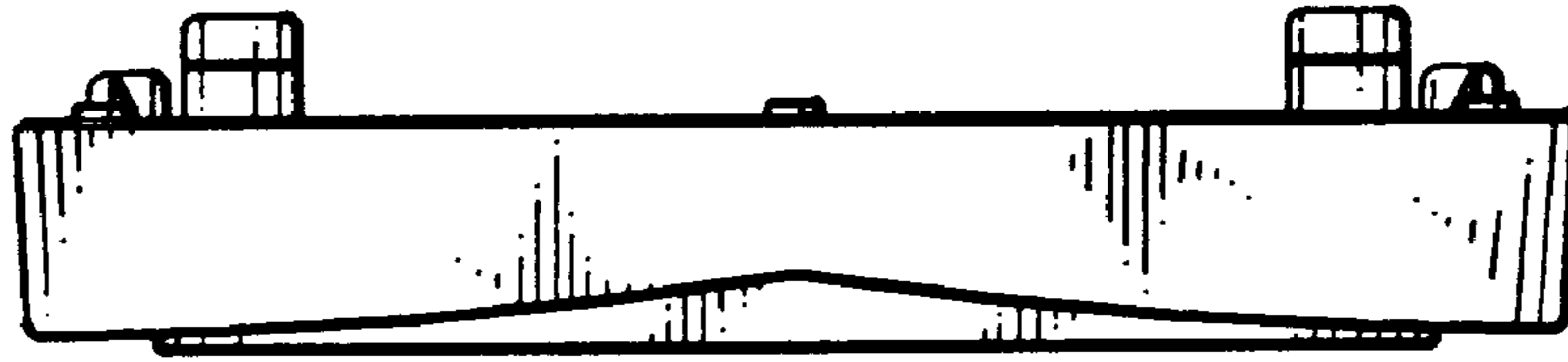


FIG. 6

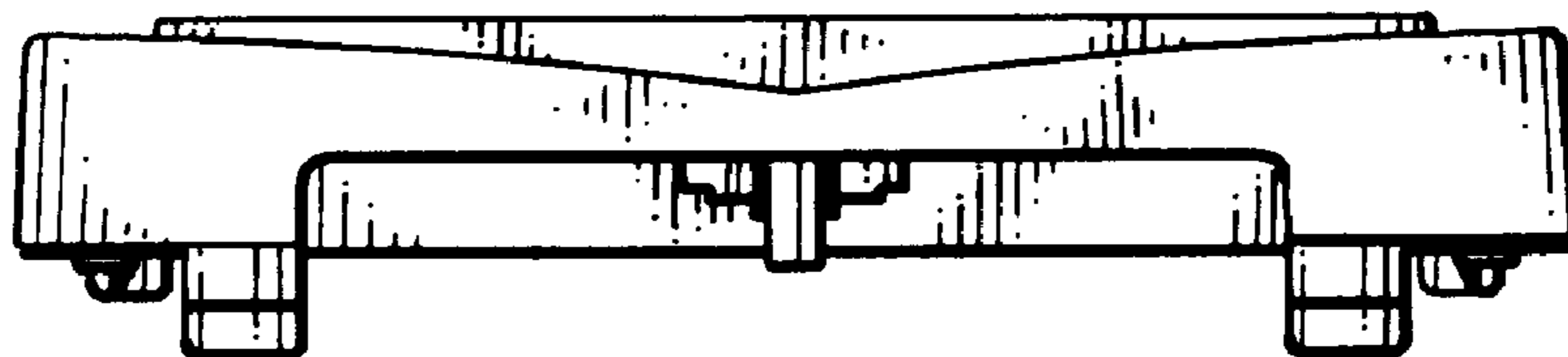


FIG. 7