



US00D416004S

United States Patent [19] Tanimura

[11] **Patent Number: Des. 416,004**

[45] **Date of Patent: ** Nov. 2, 1999**

[54] **MAGNETIC DISK DRIVE WITH PORTS FOR EXTERNAL EQUIPMENT**

[75] Inventor: **Yohichi Tanimura**, Nara-ken, Japan

[73] Assignee: **Sharp Kabushiki Kaisha**, Osaka, Japan

[**] Term: **14 Years**

[21] Appl. No.: **29/096,487**

[22] Filed: **Nov. 13, 1998**

[30] **Foreign Application Priority Data**

May 13, 1998 [JP] Japan 10-13640

[51] **LOC (6) Cl.** **14-02**

[52] **U.S. Cl.** **D14/109; D14/107**

[58] **Field of Search** D14/100, 102,
D14/107-109; D13/162, 184, 199, 147;
D6/432, 436, 445, 448; 312/194; 360/99.12;
361/690-695; 369/34, 36

[56] **References Cited**

U.S. PATENT DOCUMENTS

D. 309,604 7/1990 Osaka et al. D14/109

D. 323,820 2/1992 Gauldfeldt et al. D14/109
D. 337,997 8/1993 Brunner et al. D14/109
D. 354,482 1/1995 Matsumoto D14/109
D. 372,708 8/1996 Hetherington D14/114

Primary Examiner—Freda Nunn
Attorney, Agent, or Firm—Nixon & Vanderhye

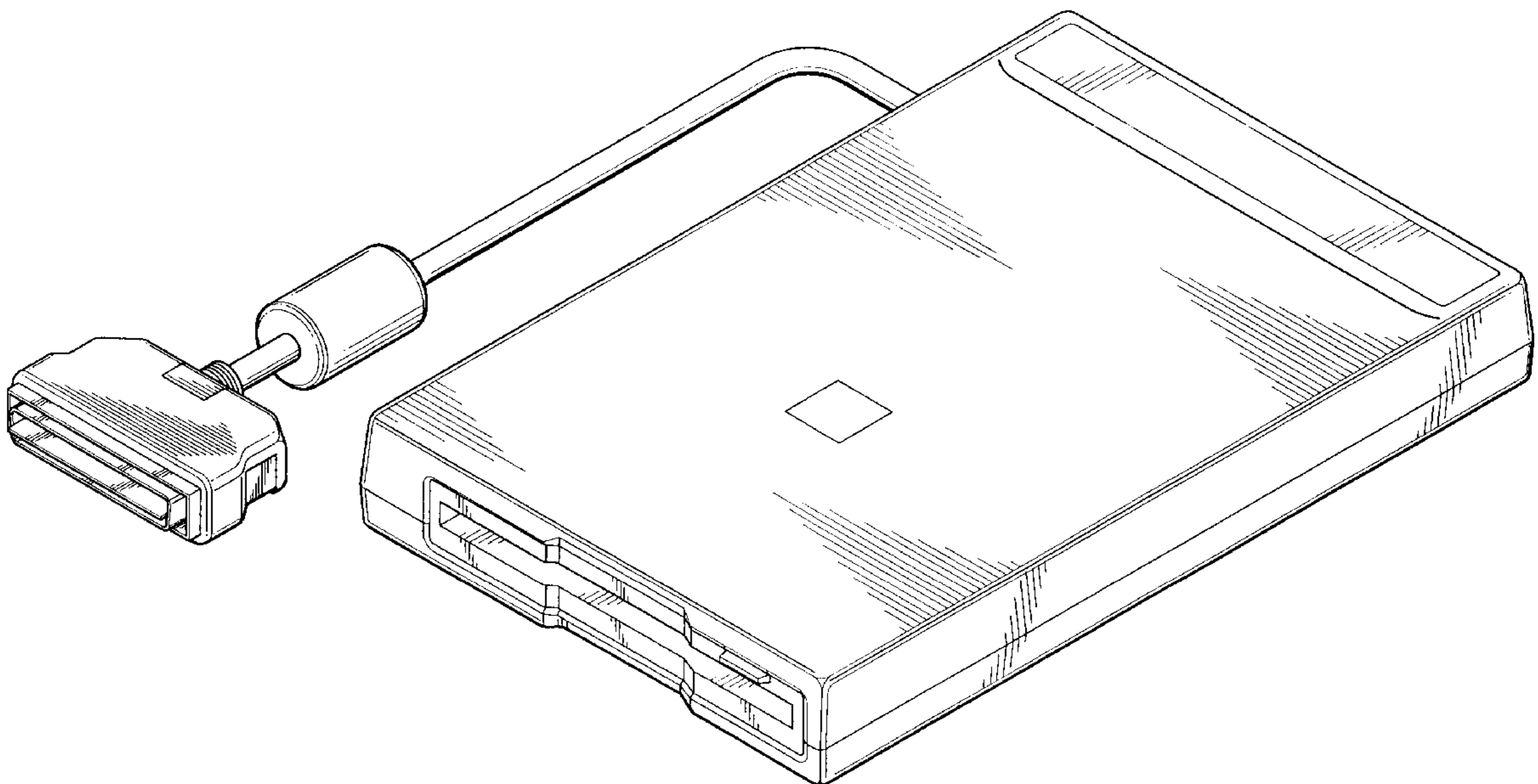
[57] **CLAIM**

The ornamental design for a “magnetic disk drive with ports for external equipmen,” as shown and described.

DESCRIPTION

FIG. 1 is a top plan view of a magnetic disk drive with port for external equipment according to my new design; FIG. 2 is a front elevational view thereof; FIG. 3 is a rear elevational view thereof; FIG. 4 is a bottom plan view thereof with a connector for an electronic computer extended from the magnetic disk drive; FIG. 5 is a view similar to FIG. 4 with the cable of the connector for an electronic computer in the groove on the bottom of the magnetic disk drive; FIG. 6 is a right side elevational view thereof; FIG. 7 is a left side elevational view thereof; and, FIG. 8 is a top, front and right side perspective view thereof.

1 Claim, 5 Drawing Sheets



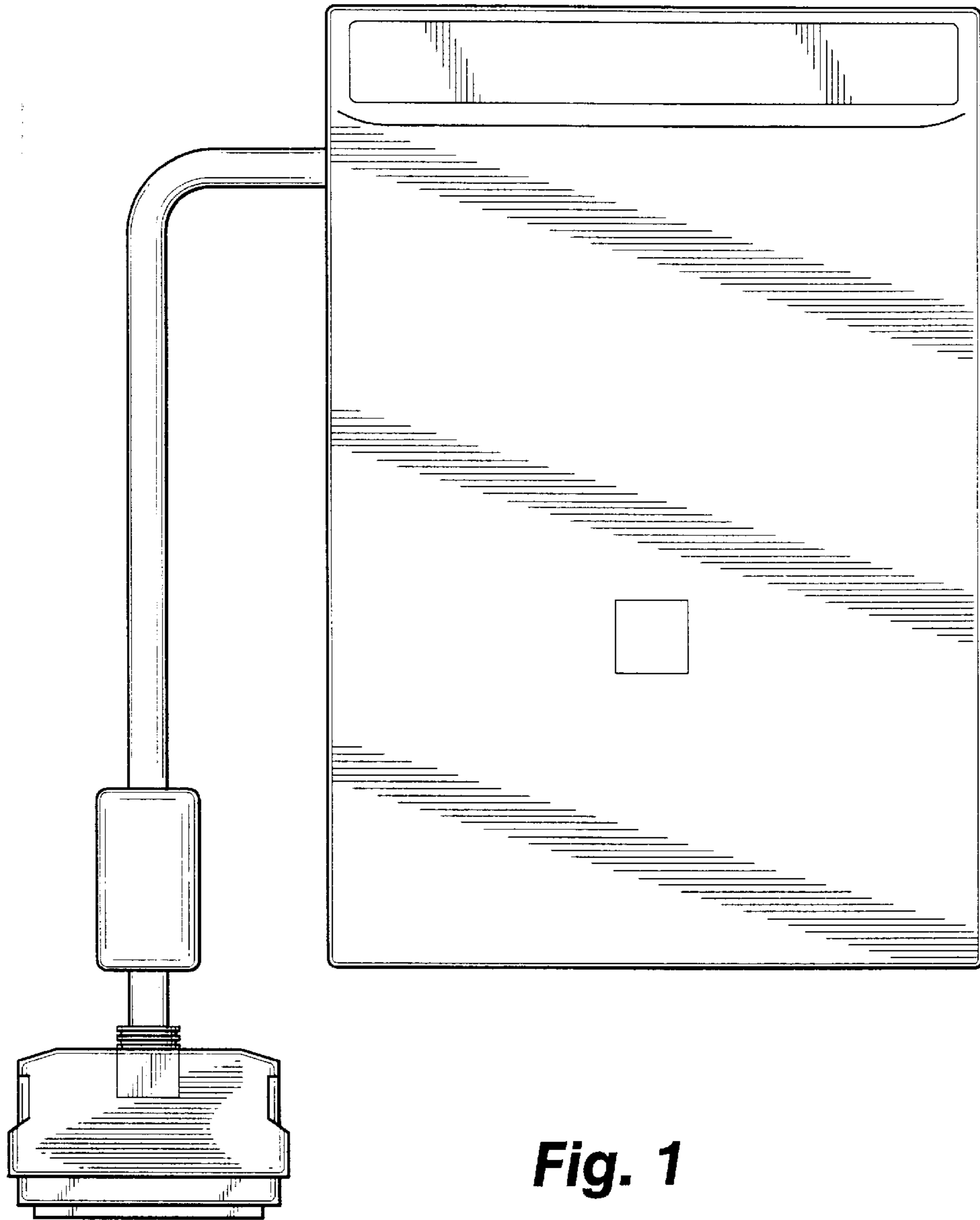


Fig. 1

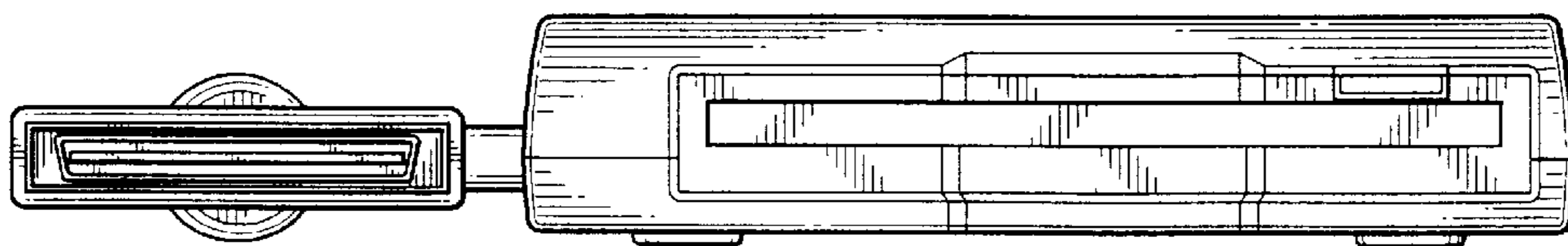


Fig. 2

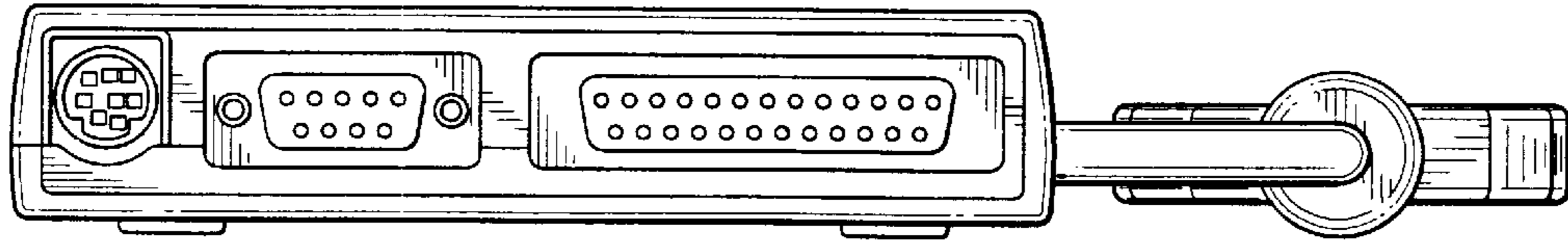


Fig. 3

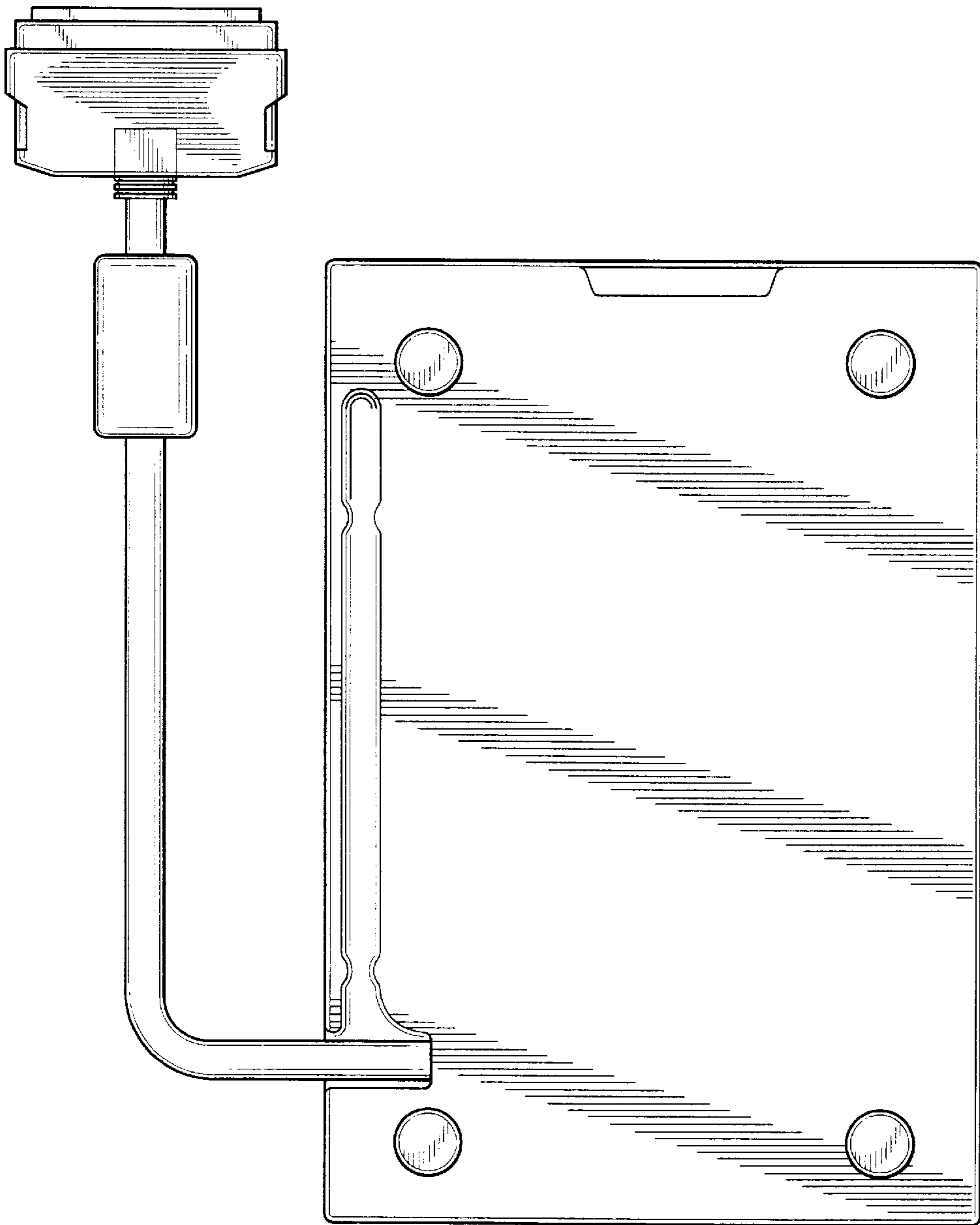


Fig. 4

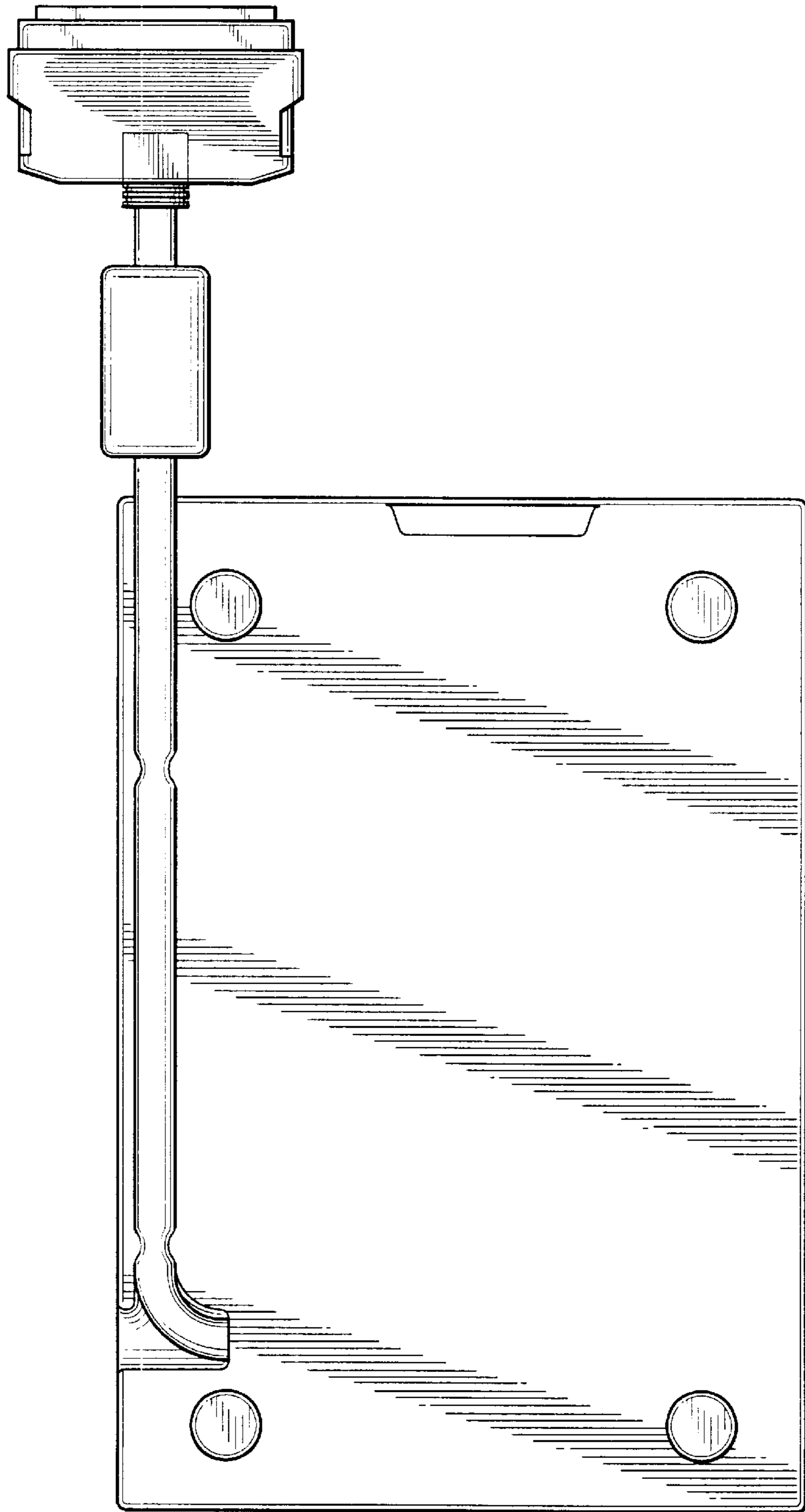


Fig. 5

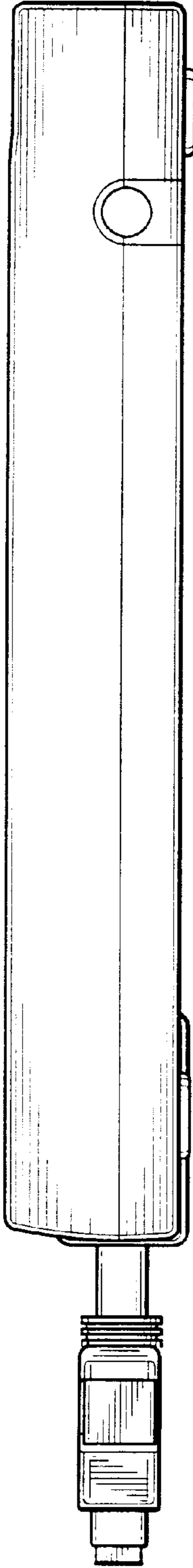


Fig. 6

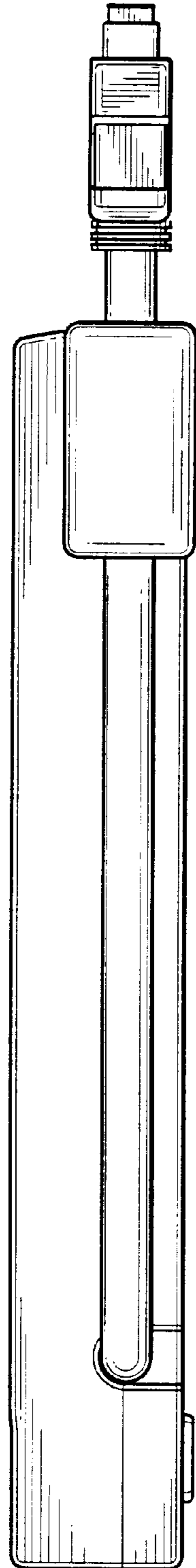


Fig. 7

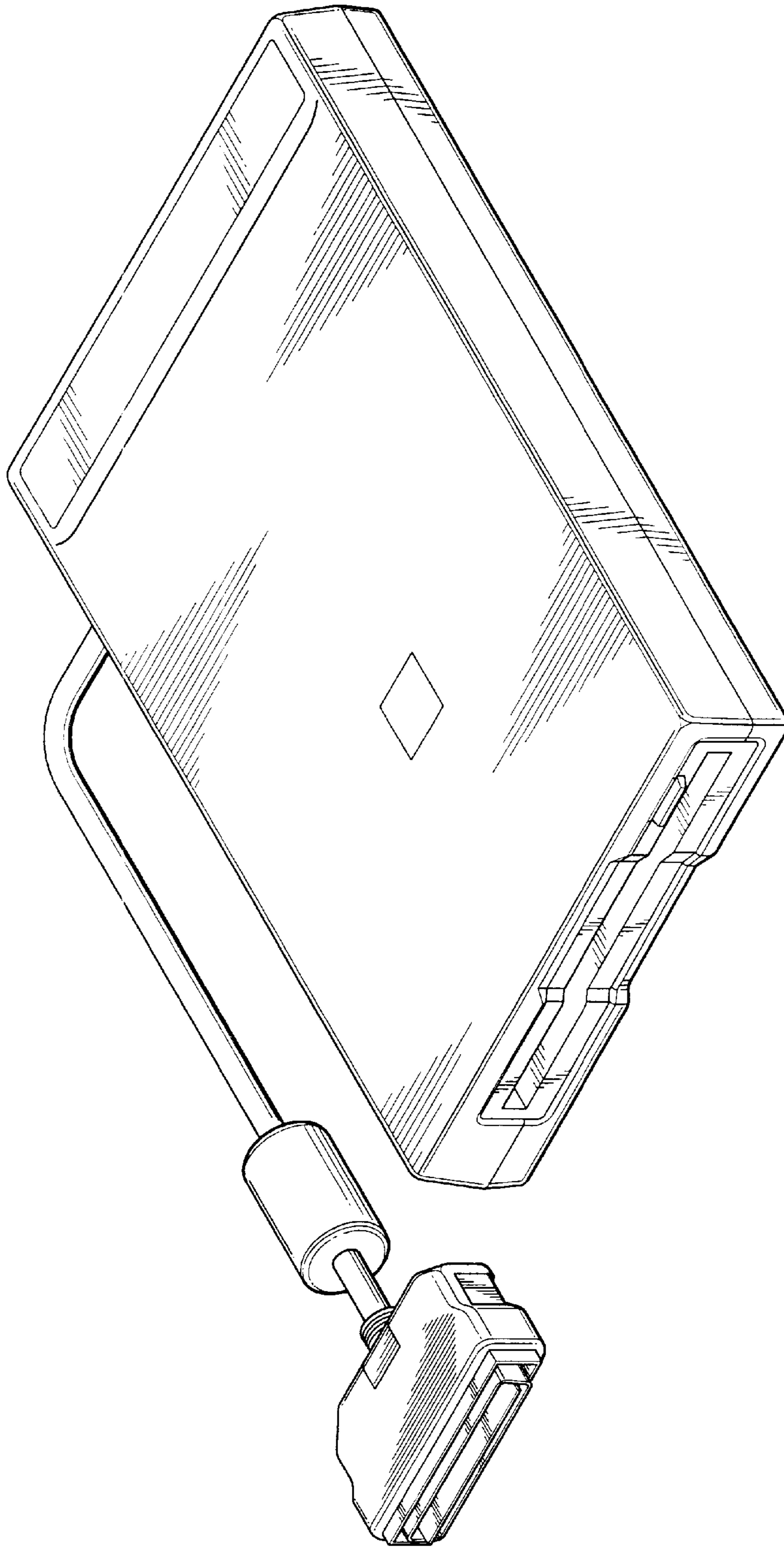


Fig. 8