



US00D415999S

United States Patent [19]

Esposito

[11] Patent Number: **Des. 415,999**

[45] Date of Patent: **** Nov. 2, 1999**

[54] **PLUG-IN MEMORY DEVICE FOR ELECTRONIC GOVERNOR APPARATUS FOR AGRICULTURAL TRACTOR ENGINES**

D. 337,306	7/1993	Nakata et al.	D13/146
4,200,350	4/1980	Zimmerman, Jr.	439/357
5,651,689	7/1997	Plyler et al.	439/352

[75] Inventor: **Giovanni Esposito**, Bernareggio, Italy

Primary Examiner—Ralf Seifert
Attorney, Agent, or Firm—Sughrue, Mion, Zinn, Macpeak & Seas, PLLC

[73] Assignee: **Same Deutz-Fahr S.p.A.**, Bergamo, Italy

[**] Term: **14 Years**

[57] **CLAIM**

[21] Appl. No.: **29/063,793**

The ornamental design for a plug-in memory device for electronic governor apparatus for agricultural tractor engines, as shown and described.

[22] Filed: **Dec. 16, 1996**

DESCRIPTION

[30] **Foreign Application Priority Data**

Jun. 17, 1996 [IT] Italy TO9600137

FIG. 1 is a perspective view of the bottom, front and one side of a plug-in memory device for electronic governor apparatus for agricultural tractor engines showing my new design;

[51] **LOC (6) Cl.** **13-03**

[52] **U.S. Cl.** **D13/162; D13/147**

FIG. 2 is a perspective view of the top, front and opposite side thereof;

[58] **Field of Search** D15/1-5; 73/19; 123/357; 439/650, 352, 292, 595, 350, 273, 489, 358, 357

FIG. 3 is a top plan view thereof;

FIG. 4 is a side elevational view of one side thereof, the opposite side being a mirror image thereof;

[56] **References Cited**

U.S. PATENT DOCUMENTS

D. 311,518	10/1990	Kuzuno et al.	D13/146
D. 321,859	11/1991	Nagasaka et al.	D13/146
D. 323,644	2/1992	Ichida et al.	D13/146
D. 328,890	8/1992	Tomikawa et al.	D13/147

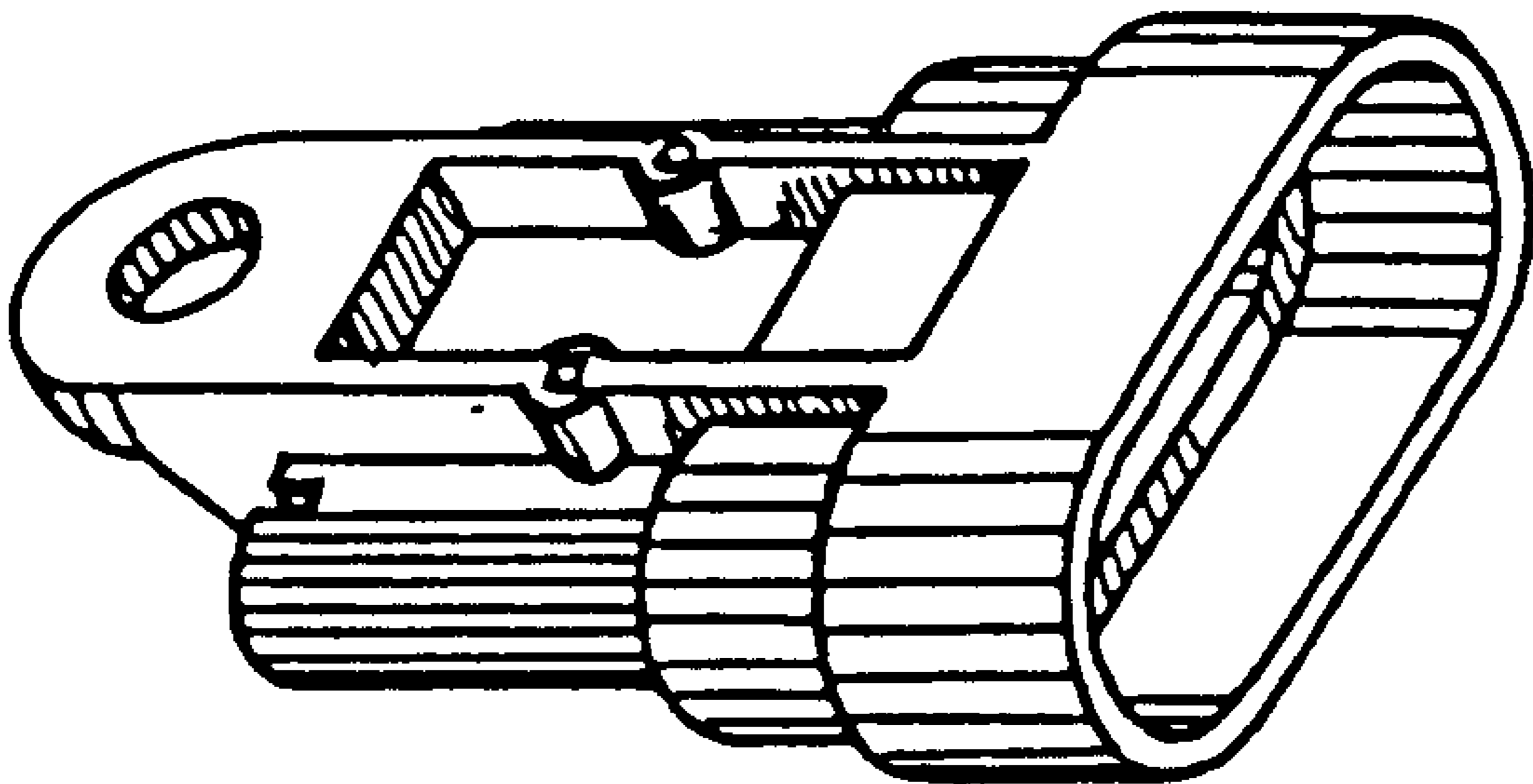
FIG. 5 is a bottom plan view thereof;

FIG. 6 is a rear elevational view thereof;

FIG. 7 is a perspective view of the top, rear and one side thereof; and,

FIG. 8 is a front elevational view thereof.

1 Claim, 1 Drawing Sheet



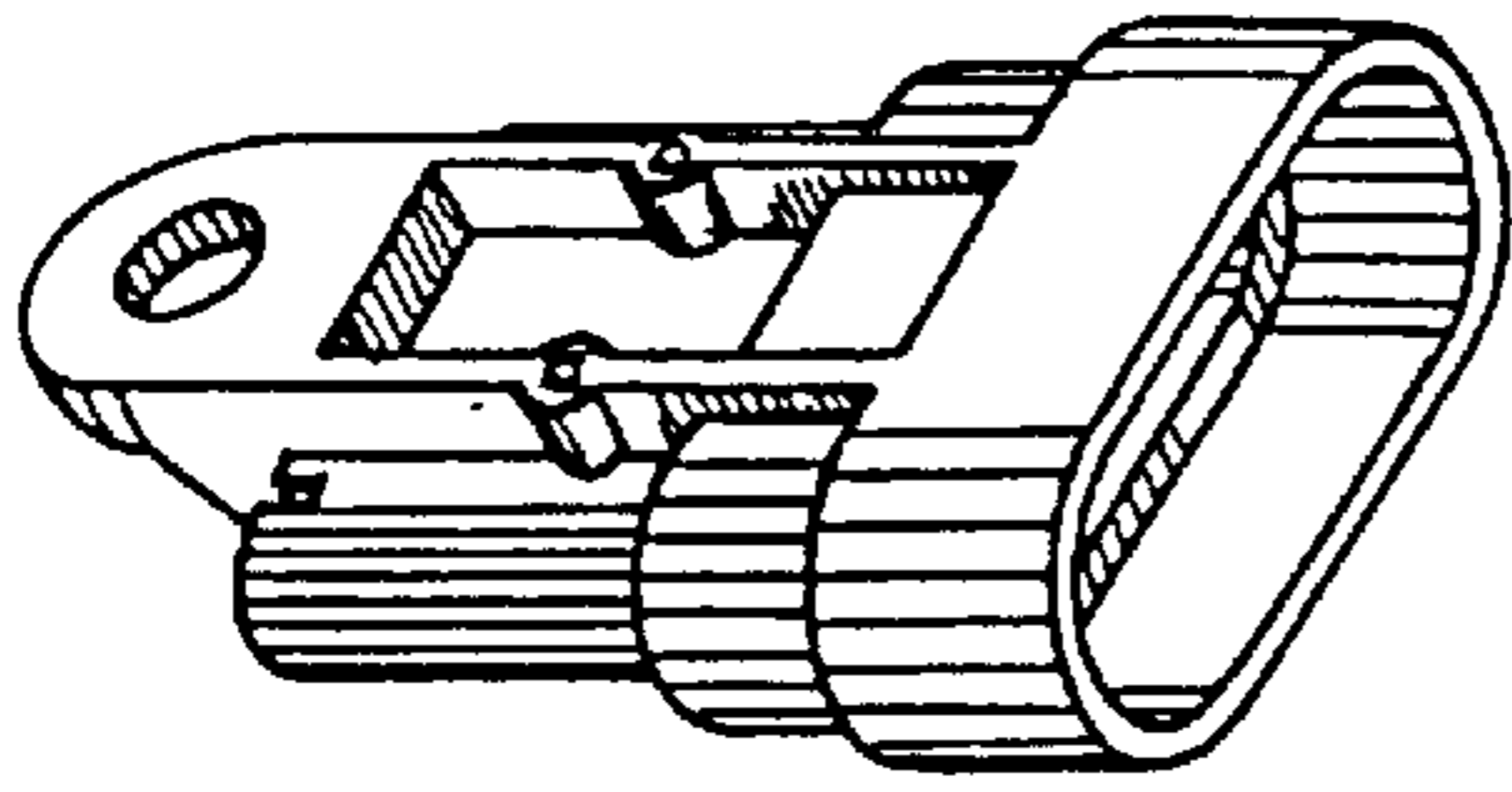


FIGURE 1

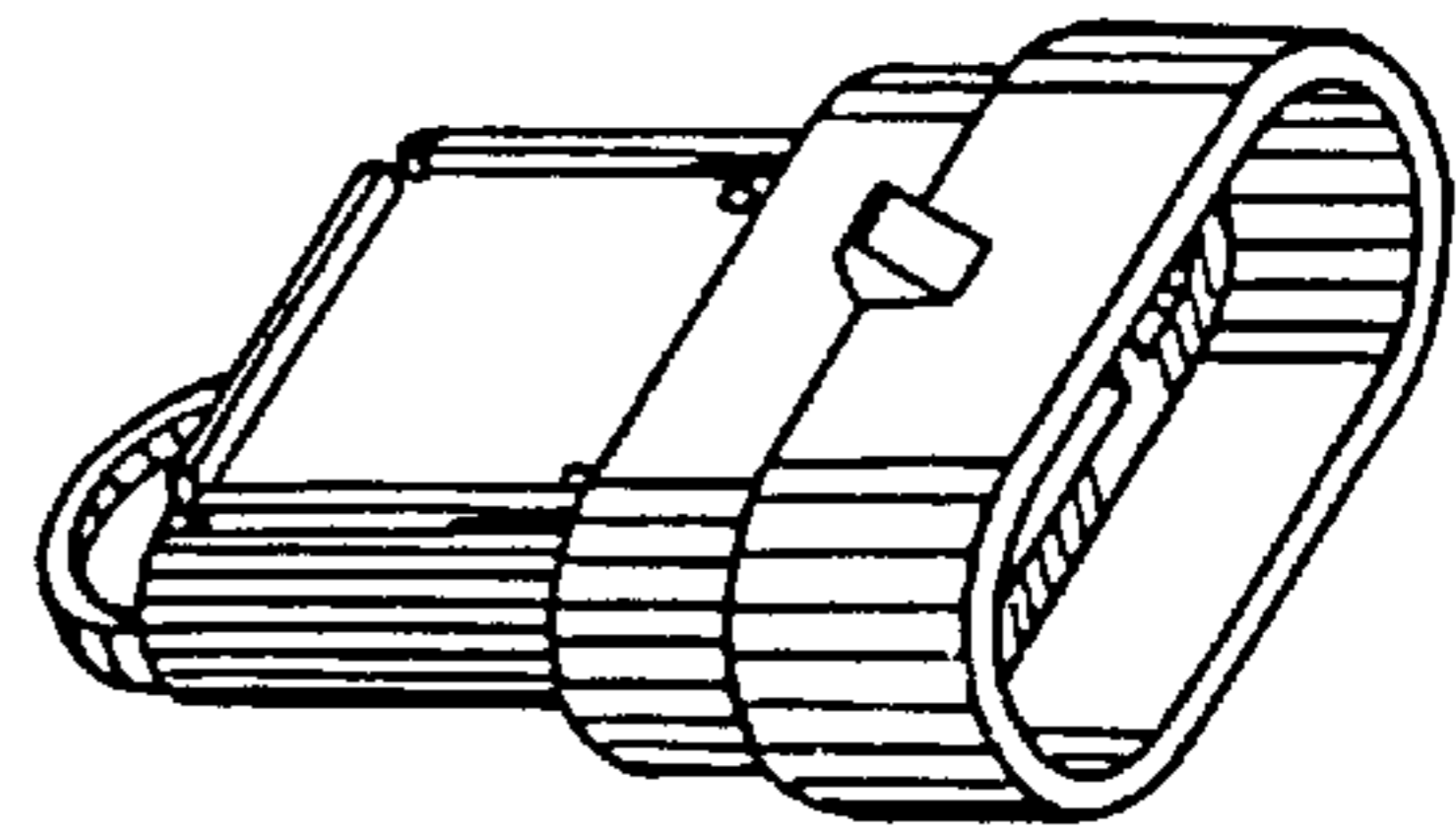


FIGURE 2

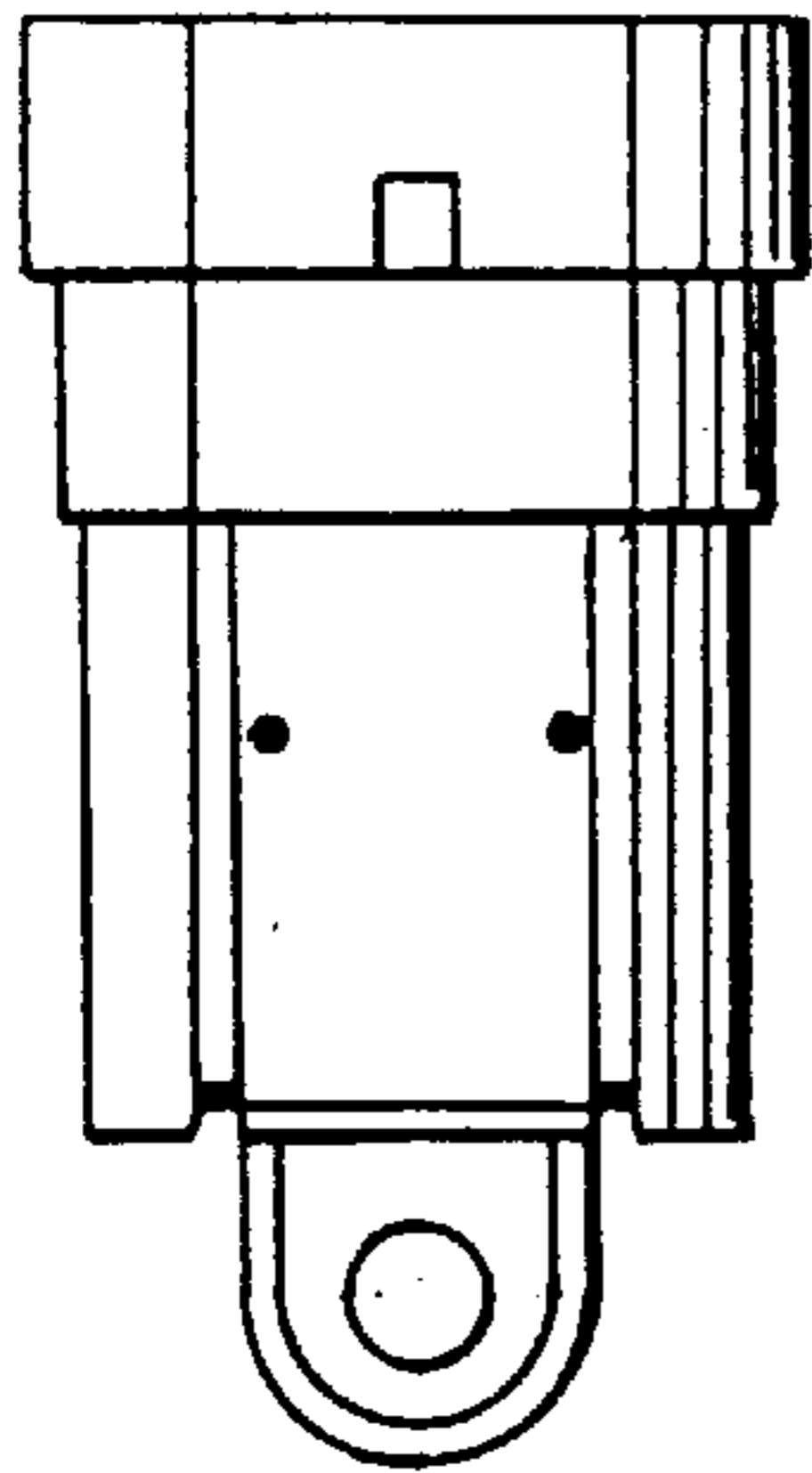


FIGURE 3

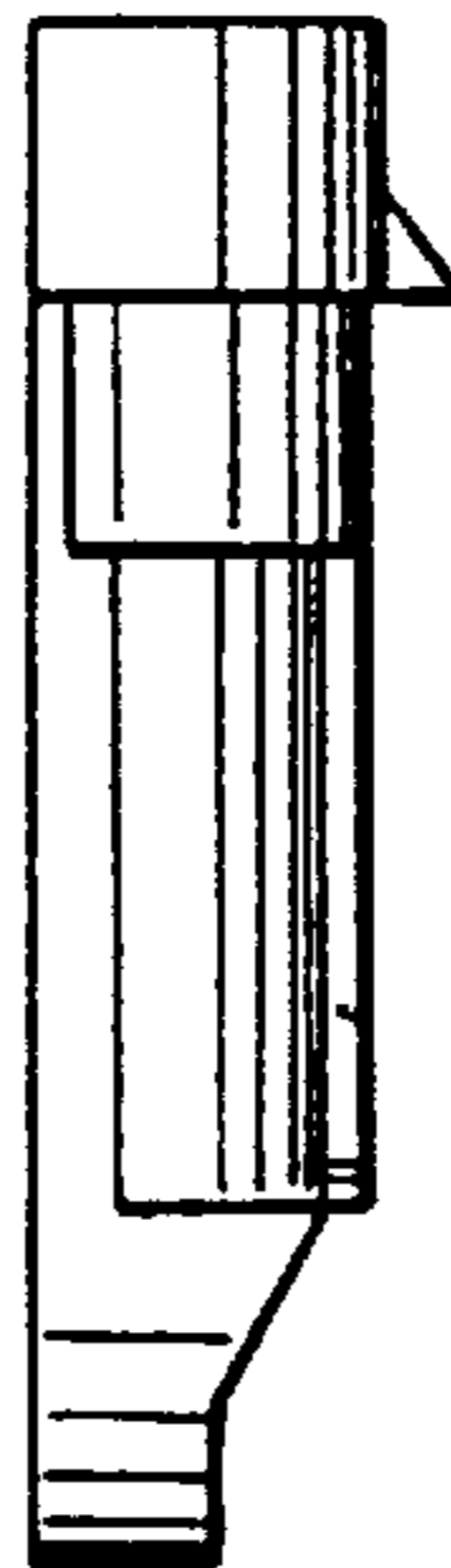


FIGURE 4

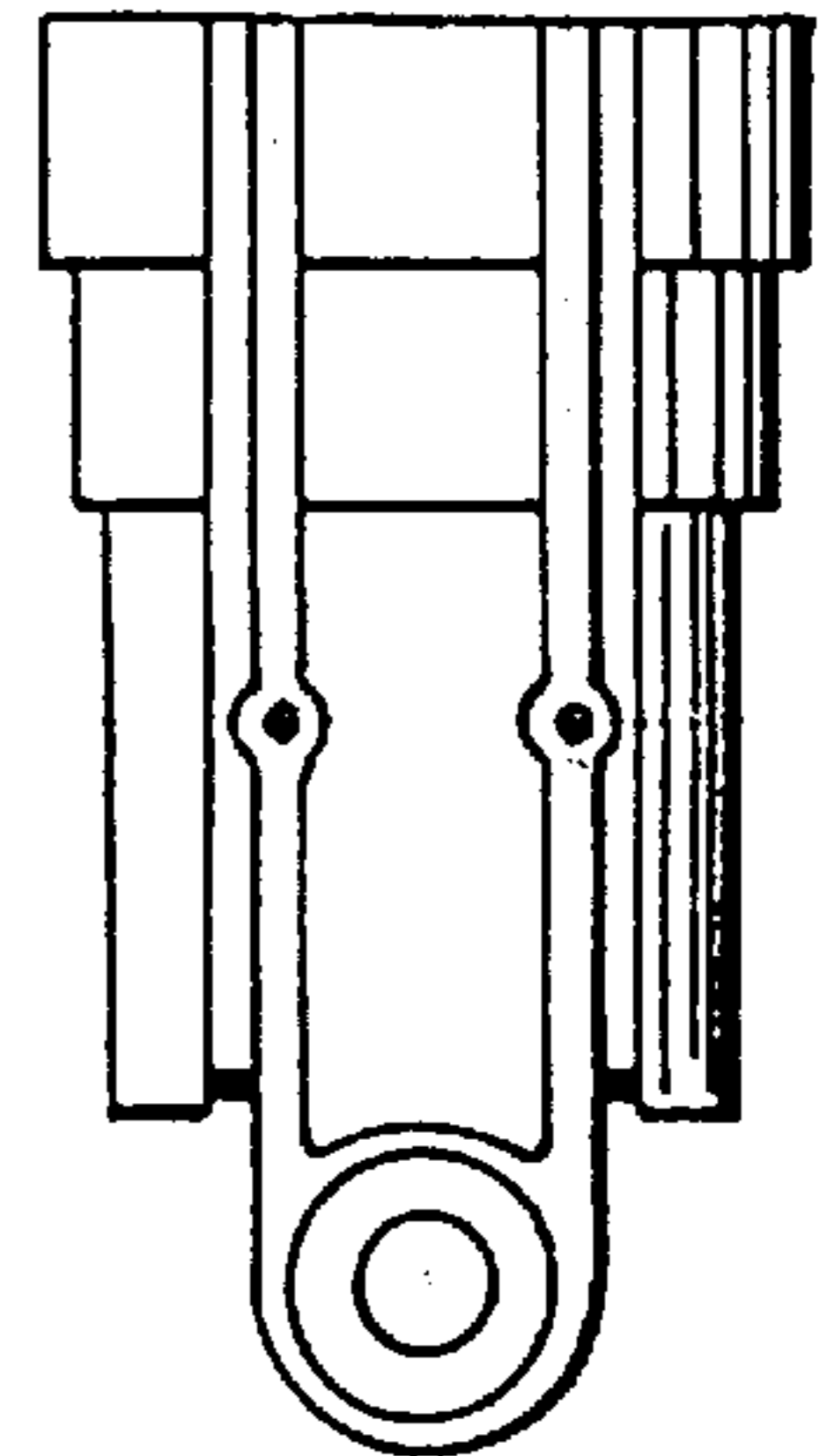


FIGURE 5

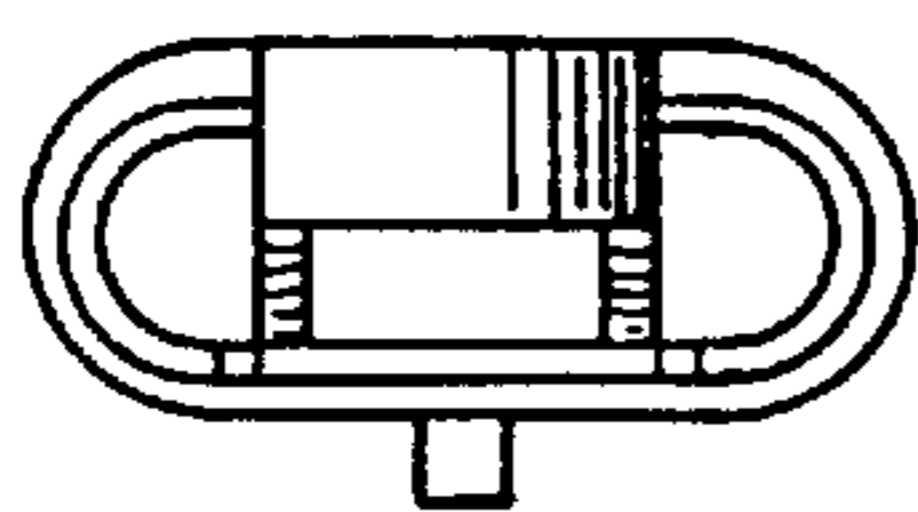


FIGURE 6

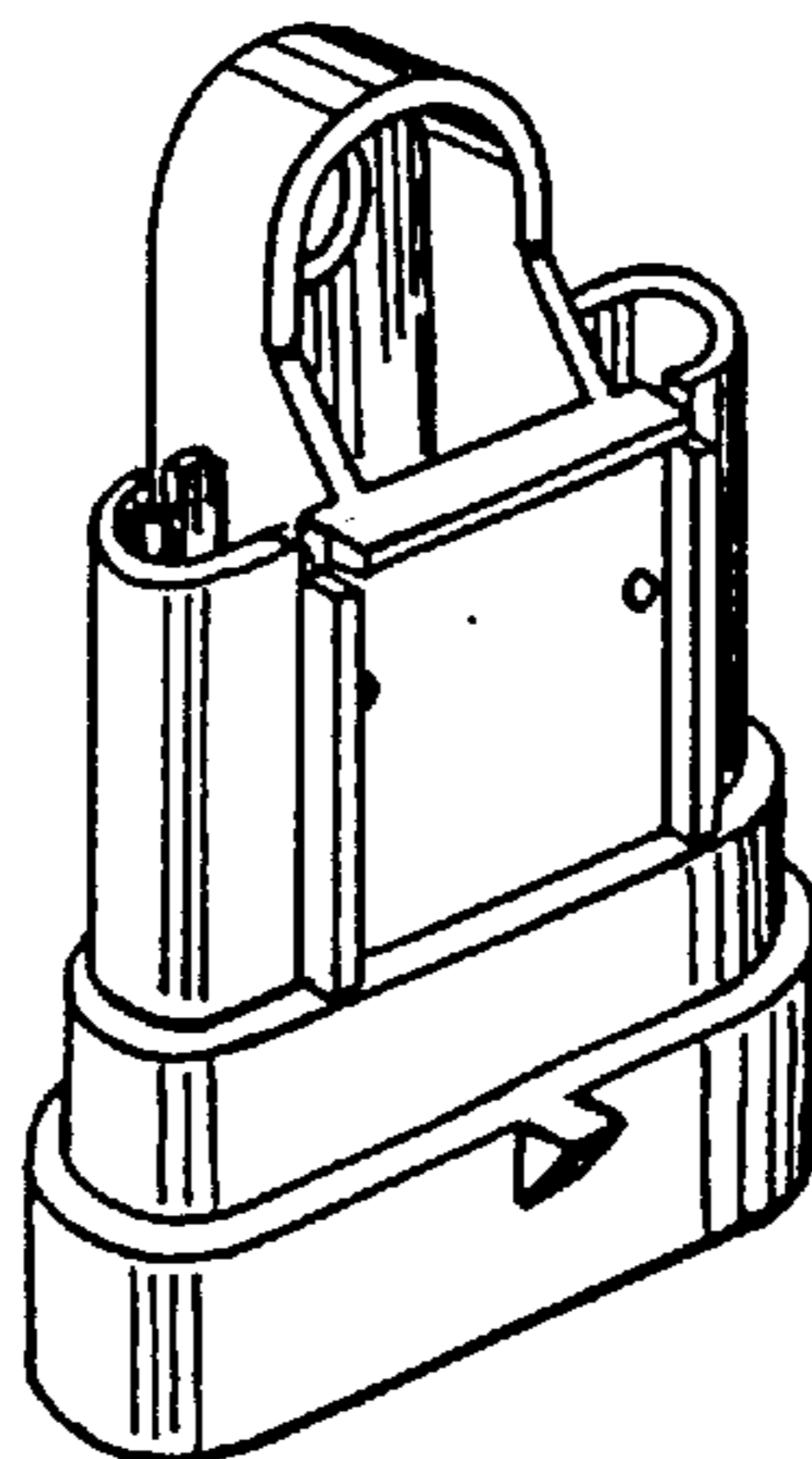


FIGURE 7

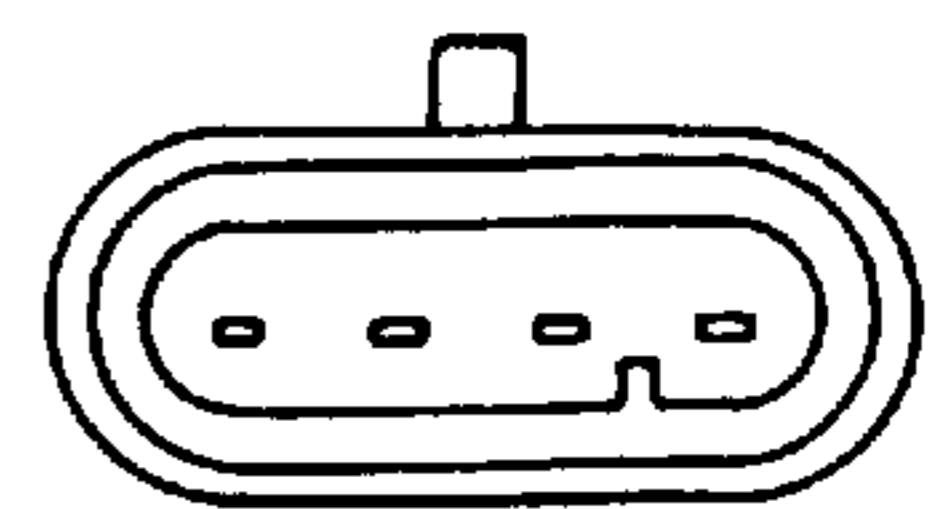


FIGURE 8