



US00D415998S

United States Patent [19]

Brown et al.

[11] Patent Number: Des. 415,998

[45] Date of Patent: ** Nov. 2, 1999

[54] **RETRACTABLE CABLE DEVICE**

[75] Inventors: **Ransom Alerick Brown**, Scottsdale;
Michael V. Edwards, Phoenix, both of
Ariz.

[73] Assignee: **Gore Enterprise Holdings, Inc.**

[**] Term: **14 Years**

[21] Appl. No.: **29/088,189**

[22] Filed: **May 18, 1998**

[51] **LOC (6) Cl.** **13-03**

[52] **U.S. Cl.** **D13/154; D8/358**

[58] **Field of Search** **D13/154; D8/358;**
191/12.2 R, 12.4; 242/379; 379/438

[56] **References Cited**

U.S. PATENT DOCUMENTS

D. 310,207	8/1990	Sheps	D13/184
D. 377,447	1/1997	Blye	D8/358
4,653,833	3/1987	Czubernat et al.	191/12.4 X

Primary Examiner—Joel Sincavage
Attorney, Agent, or Firm—David J. Johns

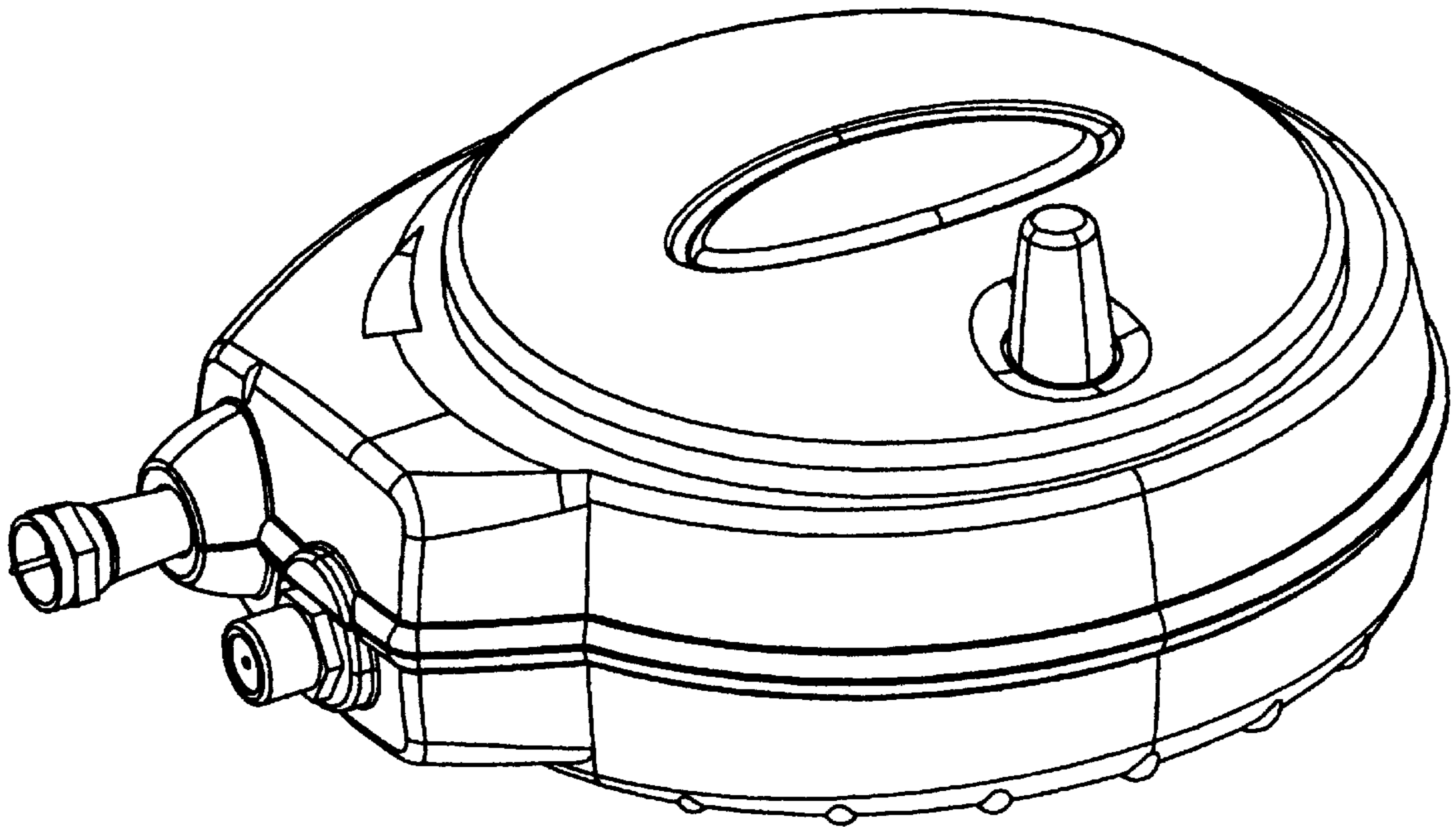
[57] **CLAIM**

An ornamental design for a retractable cable device, as shown and described.

DESCRIPTION

FIG. 1 is a three-quarter isometric view of a retractable cable device of the present invention;
 FIG. 2 is a front elevation view of the retractable cable device of the present invention;
 FIG. 3 is a back elevation view of the retractable cable device of the present invention;
 FIG. 4 is a side elevation view of the retractable cable device of the present invention;
 FIG. 5 is a top plan view of the retractable cable device of the present invention; and,
 FIG. 6 is a bottom plan elevation view of the retractable cable device of the present invention.

1 Claim, 6 Drawing Sheets



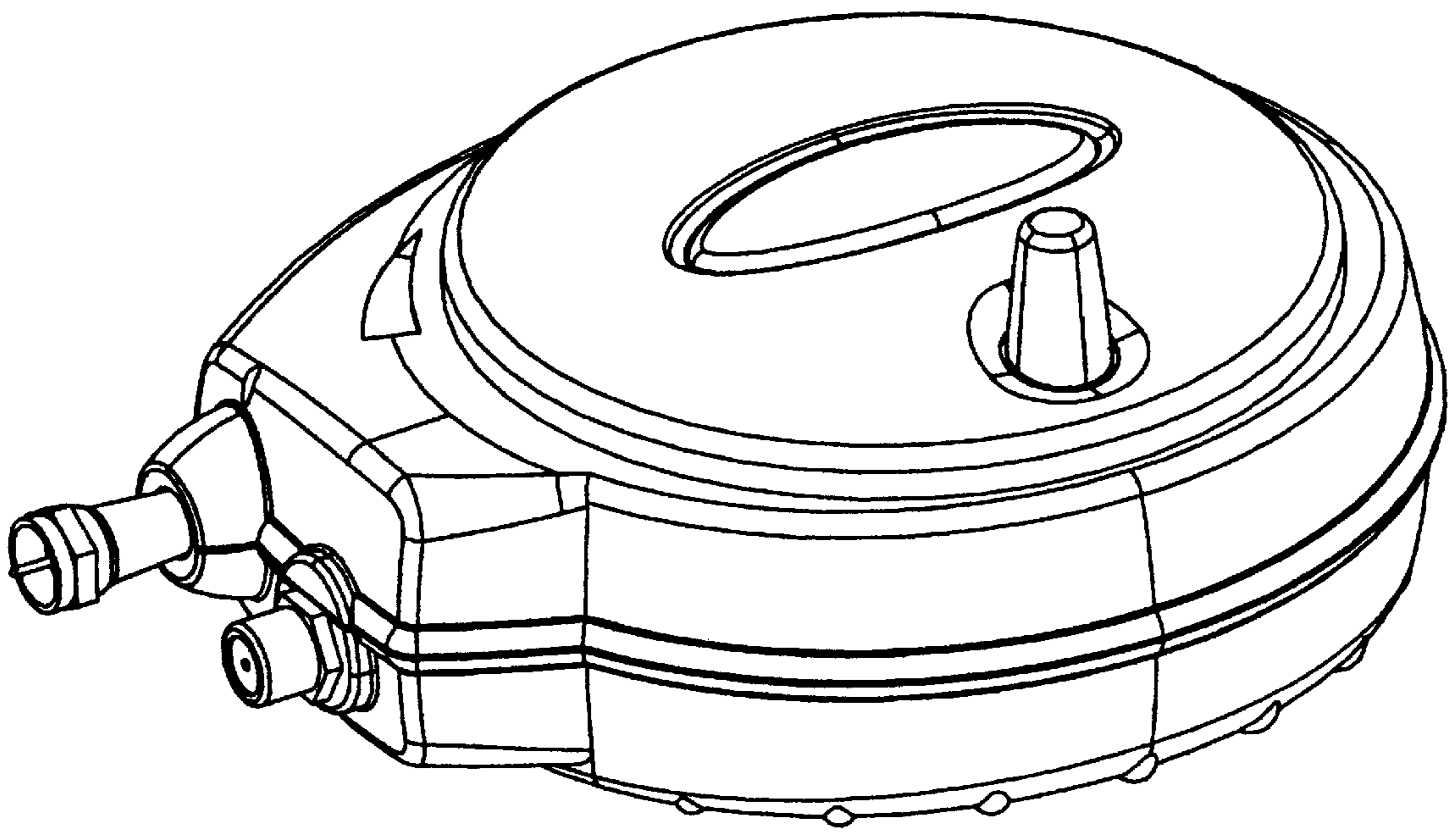


FIG. 1

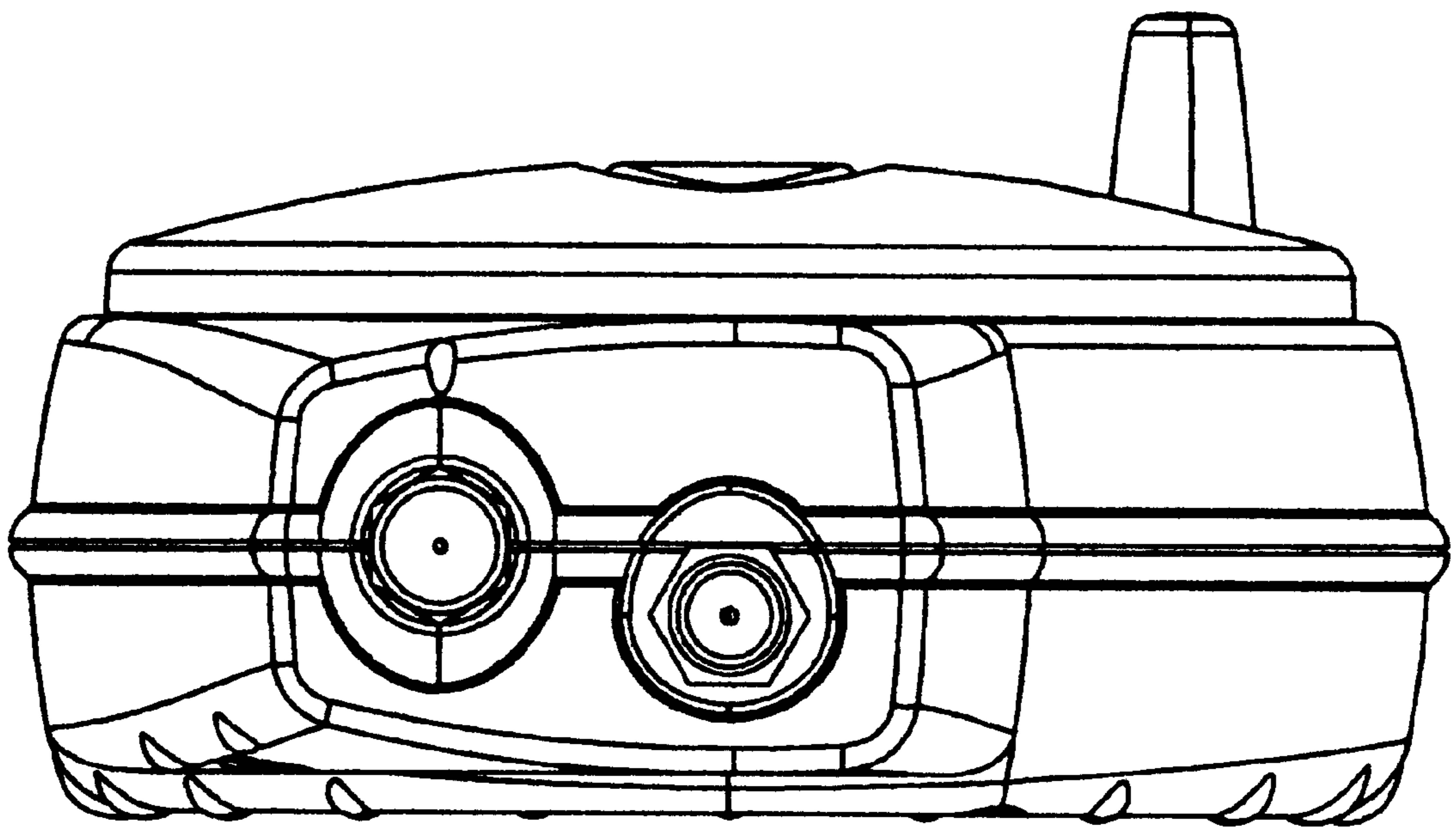


FIG. 2

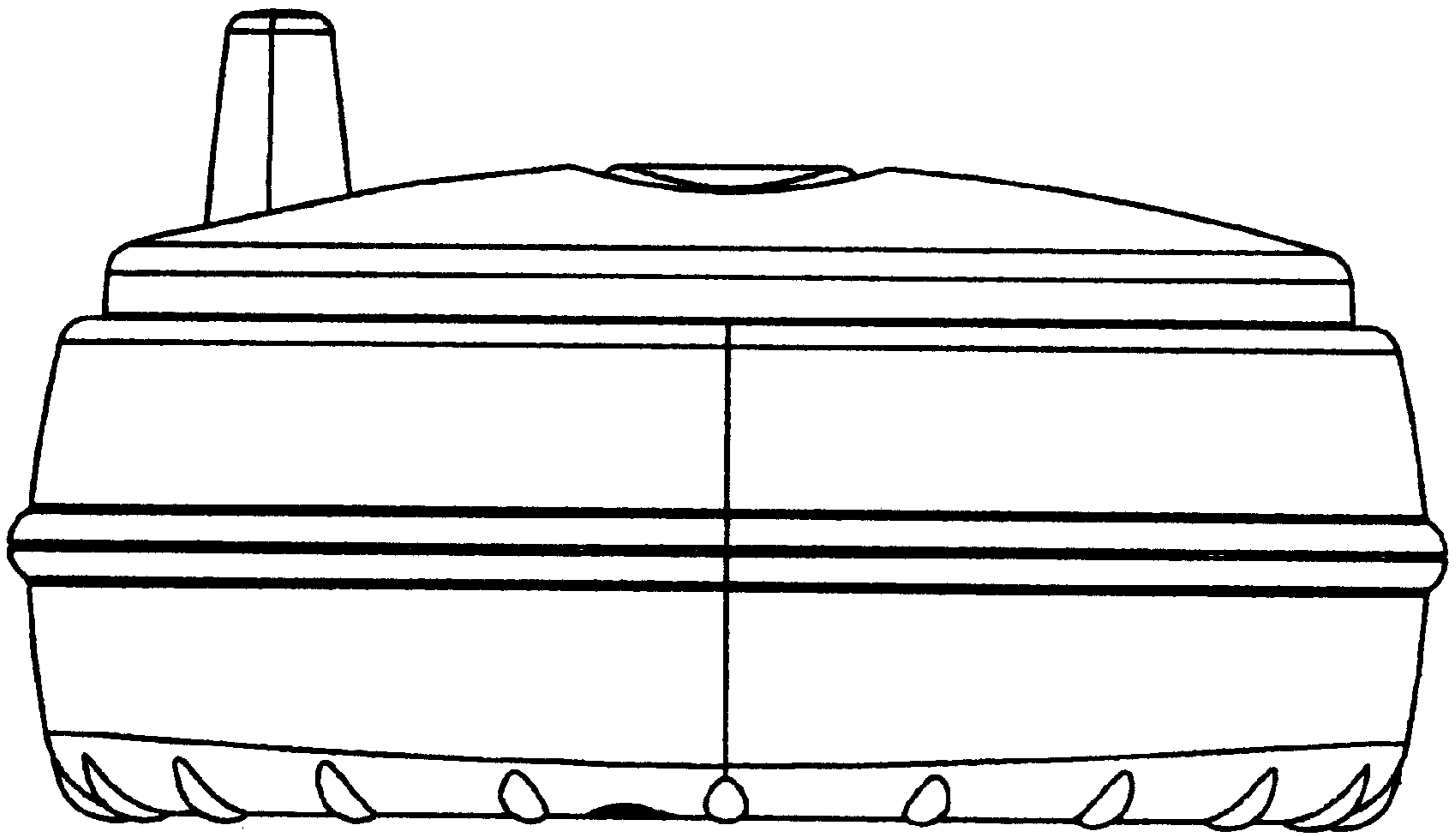


FIG. 3

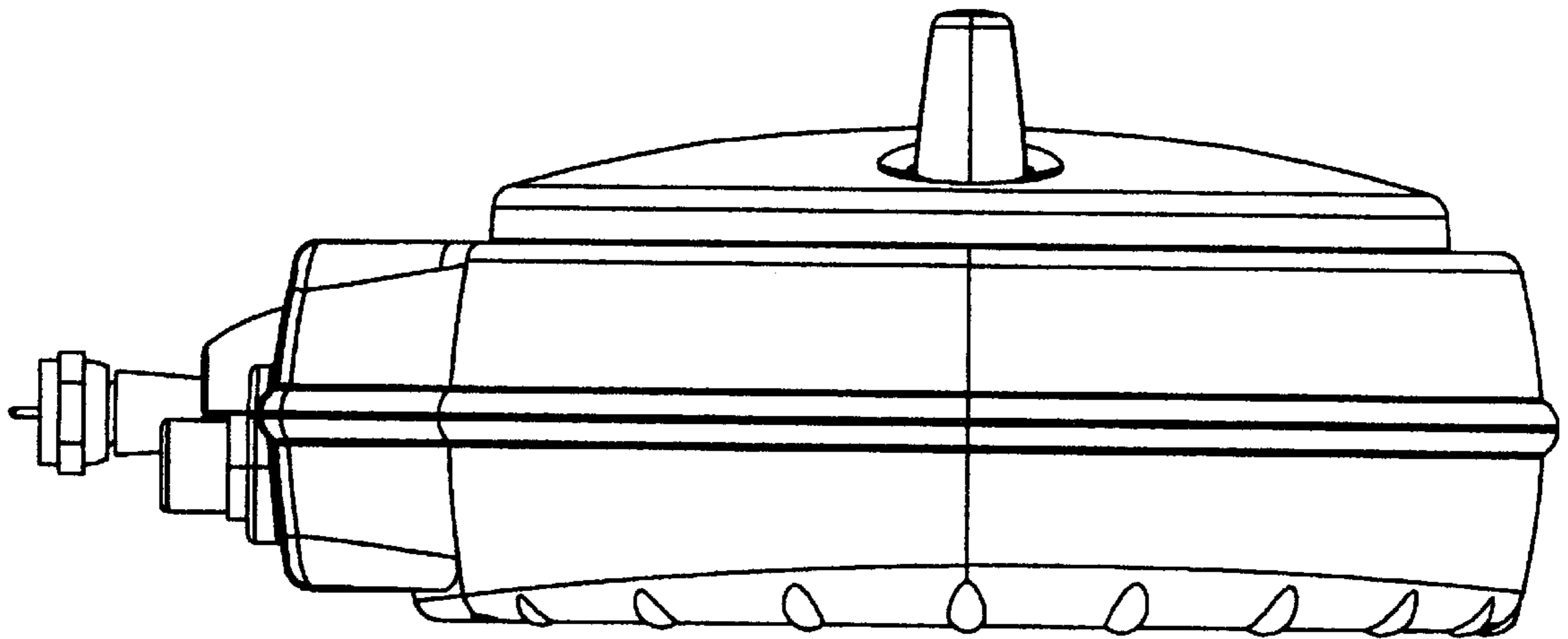


FIG. 4

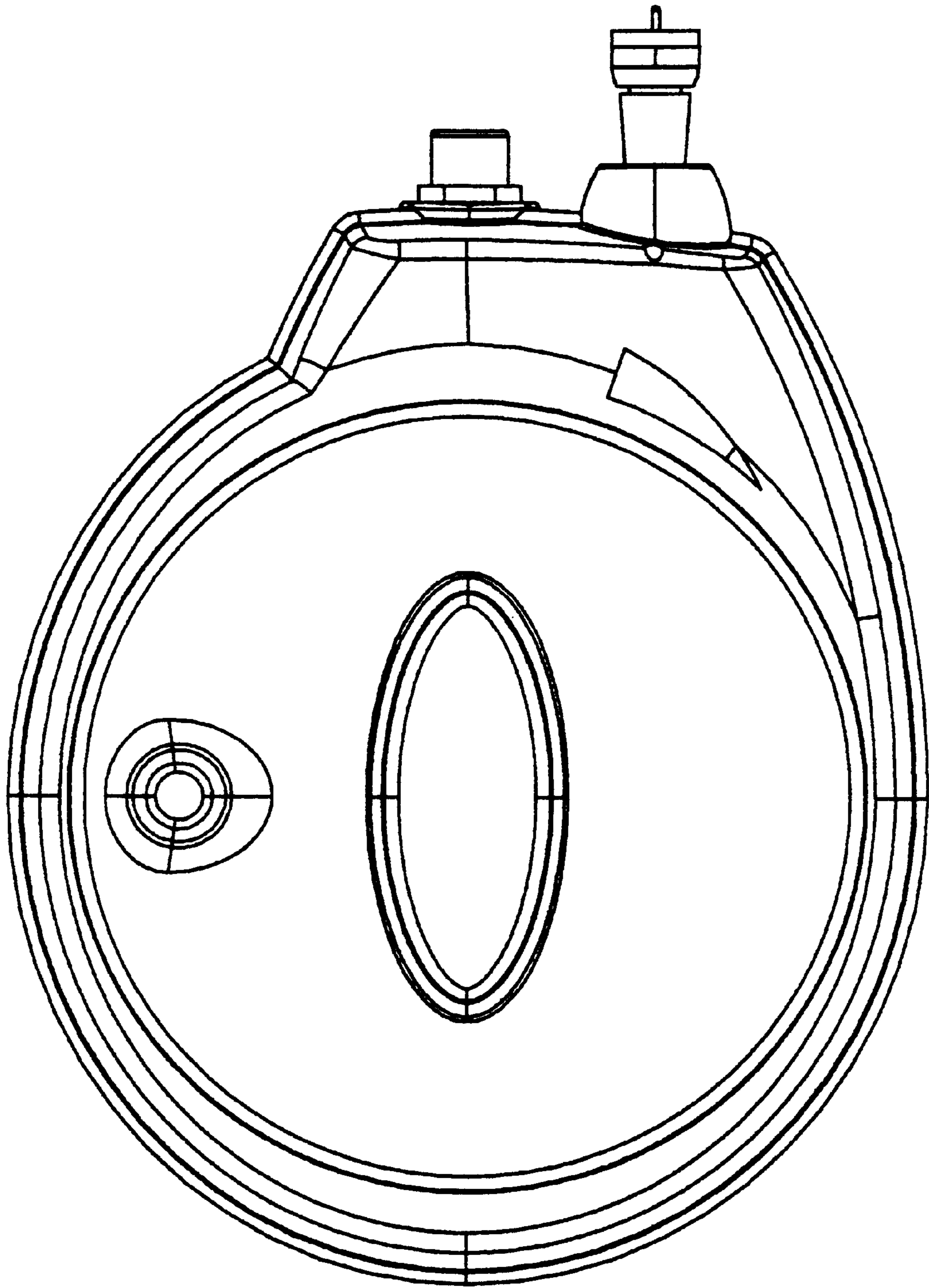


FIG. 5

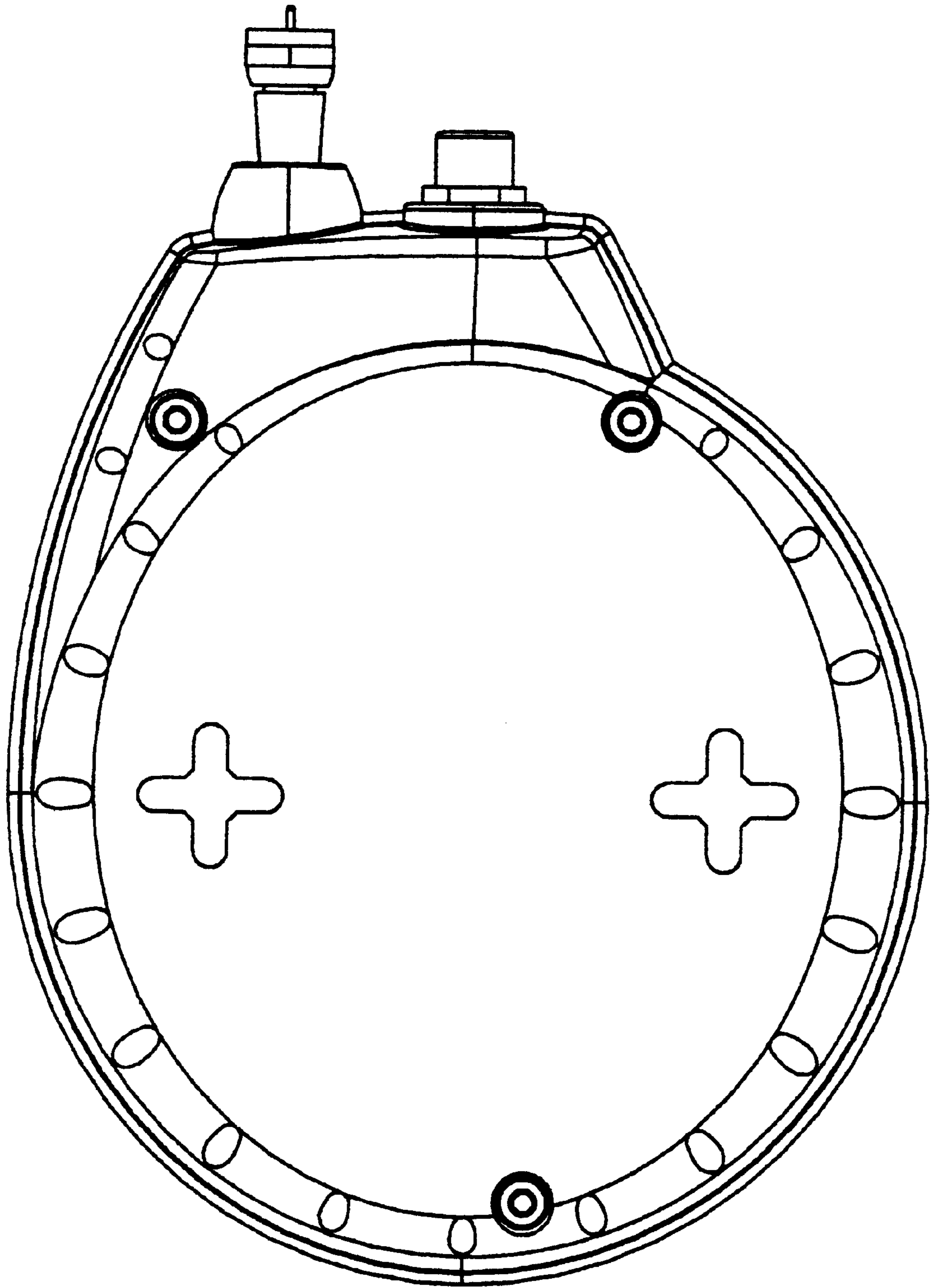


FIG. 6