



US00D415997S

# United States Patent [19]

[11] Patent Number: **Des. 415,997**

Ono et al.

[45] Date of Patent: **\*\* Nov. 2, 1999**

## [54] ELECTRICAL CONNECTOR

## DESCRIPTION

[75] Inventors: **Yasuhiro Ono**, Kanagawa; **Shinichi Ikemoto**, Tokyo, both of Japan

[73] Assignee: **Kel Corporation**

[\*\*] Term: **14 Years**

[21] Appl. No.: **29/087,173**

[22] Filed: **Apr. 28, 1998**

[51] **LOC (6) Cl.** ..... **13-02**

[52] **U.S. Cl.** ..... **D13/147**

[58] **Field of Search** ..... D13/147; 439/62, 439/79, 81, 83, 252, 325, 326, 571, 607, 630, 636, 682, 378

## [56] References Cited

### U.S. PATENT DOCUMENTS

D. 318,650	7/1991	Matsuzaki	.....	D13/147
D. 379,620	6/1997	Aramaki	.....	D13/147
5,044,988	9/1991	Hirayama	.....	439/609 X
5,104,326	4/1992	Smith et al.	.....	439/79 X
5,692,912	12/1997	Nelson et al.	.....	439/62 X

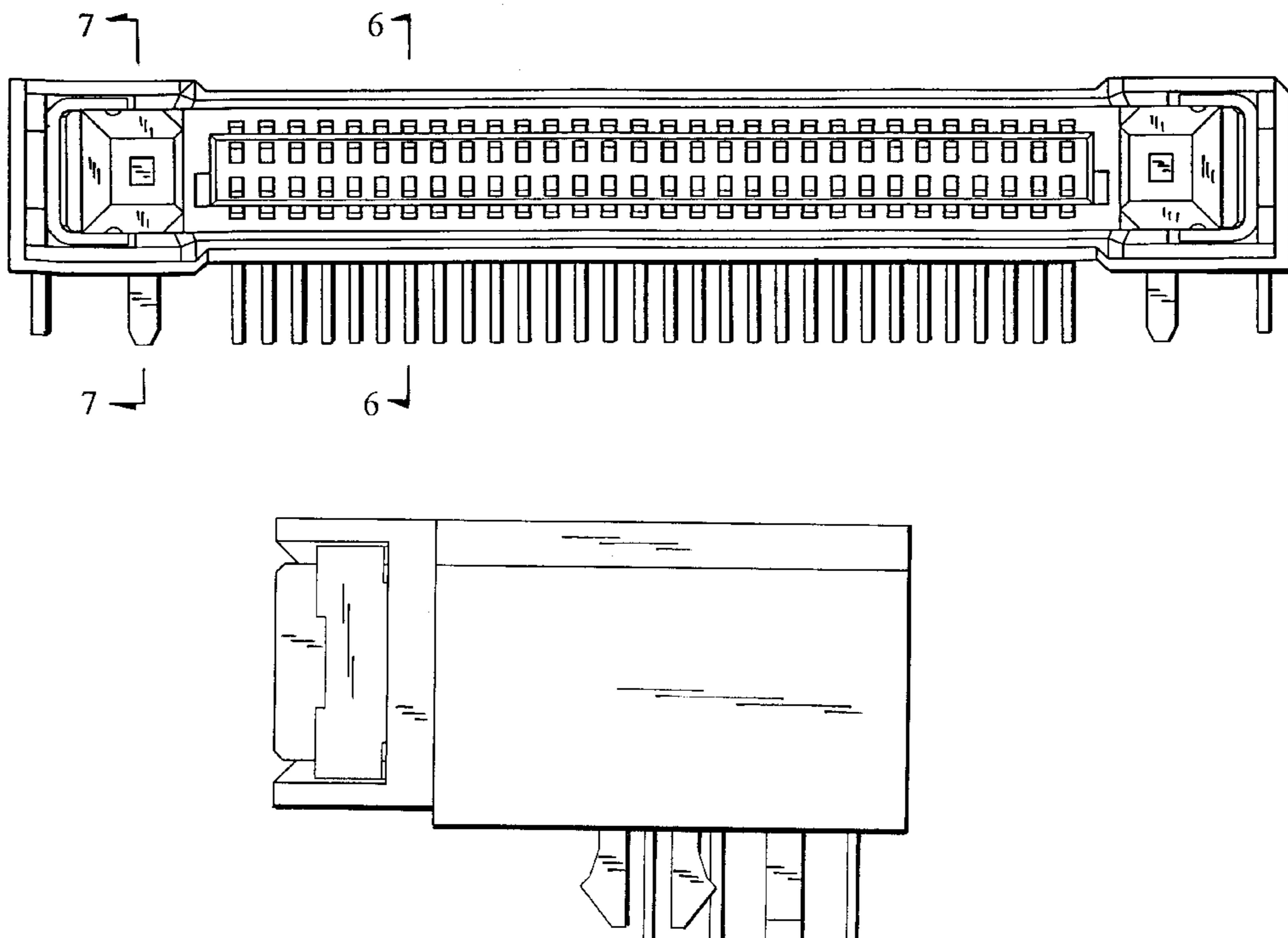
*Primary Examiner*—Joel Sincavage  
*Attorney, Agent, or Firm*—Robert W J Usher

## [57] CLAIM

The ornamental design for an electrical connector, as shown and described.

FIG. 1 is a top view of an electrical connector according to a first embodiment showing our new design;  
 FIG. 2 is a front view of the connector according to the first embodiment;  
 FIG. 3 is a bottom view of the connector according to the first embodiment;  
 FIG. 4 is a rear view of the connector according to the first embodiment;  
 FIG. 5 is an enlarged, right side view of the connector according to the first embodiment, the opposite side being a mirror image;  
 FIG. 6 is an enlarged sectional view taken along 6—6 in FIG. 2 of the connector according to the first embodiment, with exposed signal contacts shown in elevation;  
 FIG. 7 is an enlarged sectional view taken along 7—7 in FIG. 2 of the connector according to the first embodiment;  
 FIG. 8 is a top view of the connector according to a second embodiment;  
 FIG. 9 is a front view of the connector according to the second embodiment;  
 FIG. 10 is a bottom view of the connector according to the second embodiment;  
 FIG. 11 is a rear view of the connector according to the second embodiment;  
 FIG. 12 is an enlarged right side view of the connector according to the second embodiment, the opposite side being a mirror image; and,  
 FIG. 13 is an enlarged sectional view along 13—13 in FIG. 9 of the connector according to the second embodiment, with exposed contacts shown in elevation.

**1 Claim, 6 Drawing Sheets**



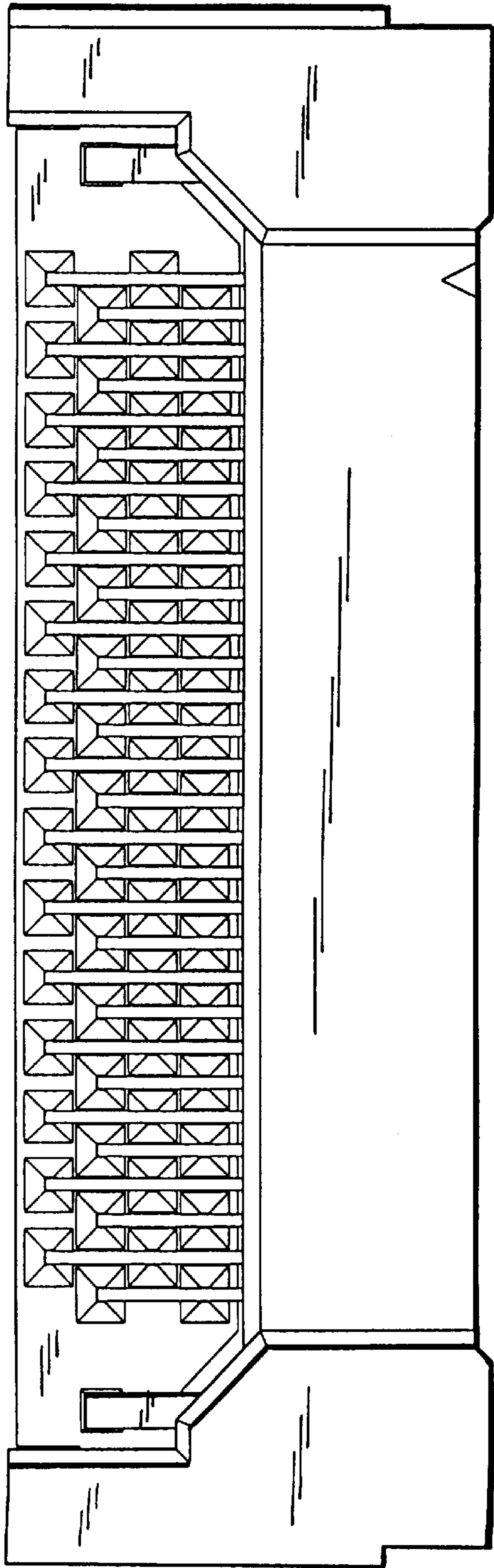


Fig. 1

7  
6

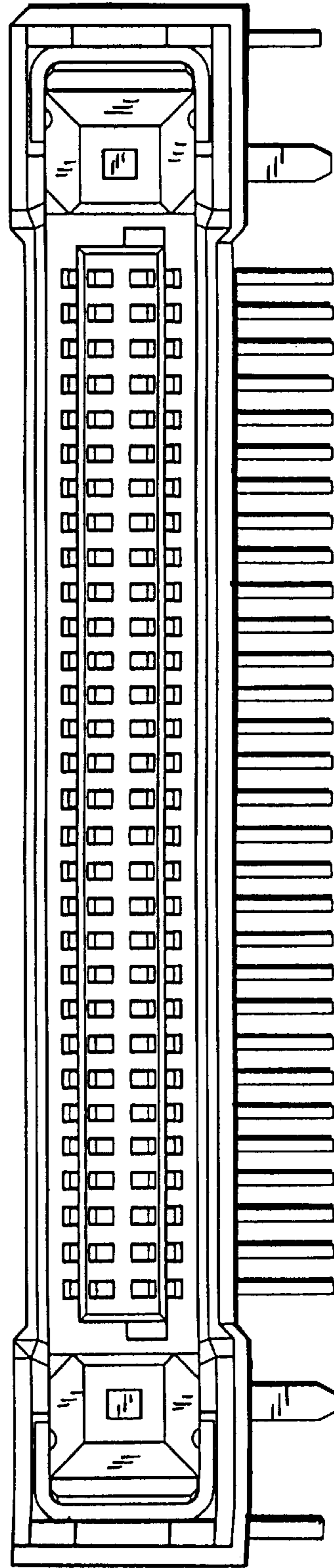


Fig. 2

7  
6

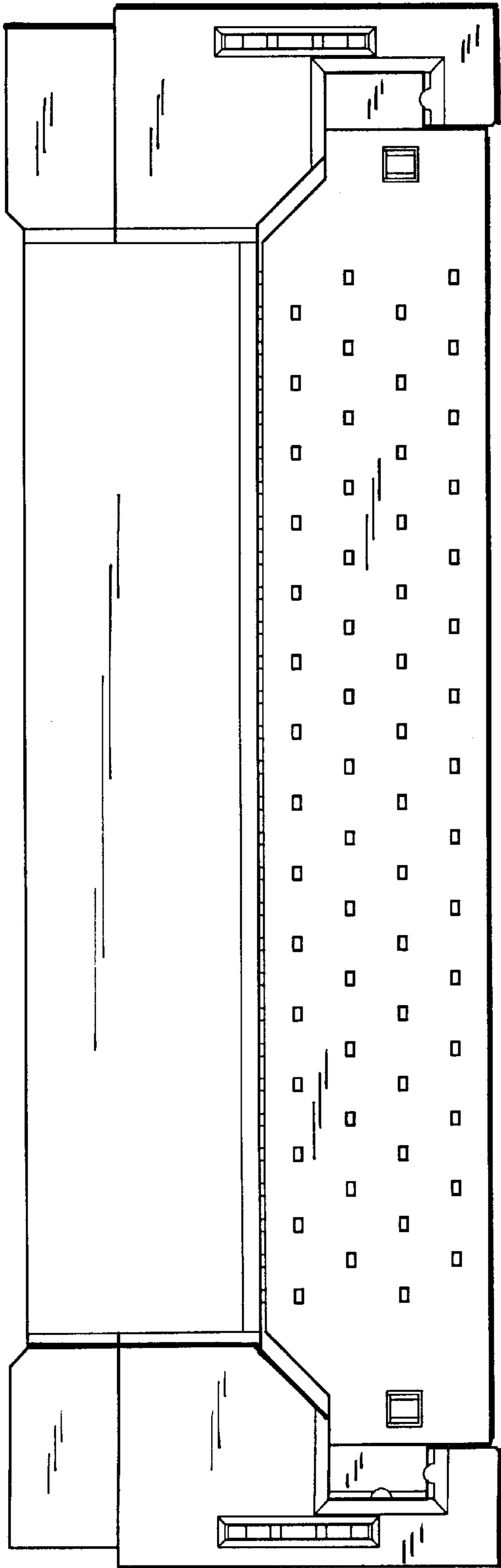


Fig. 3

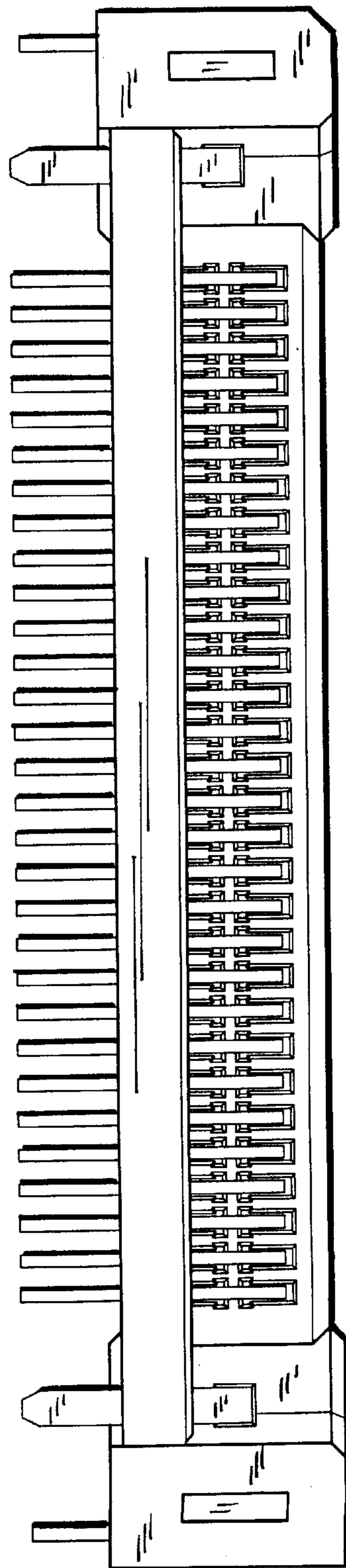
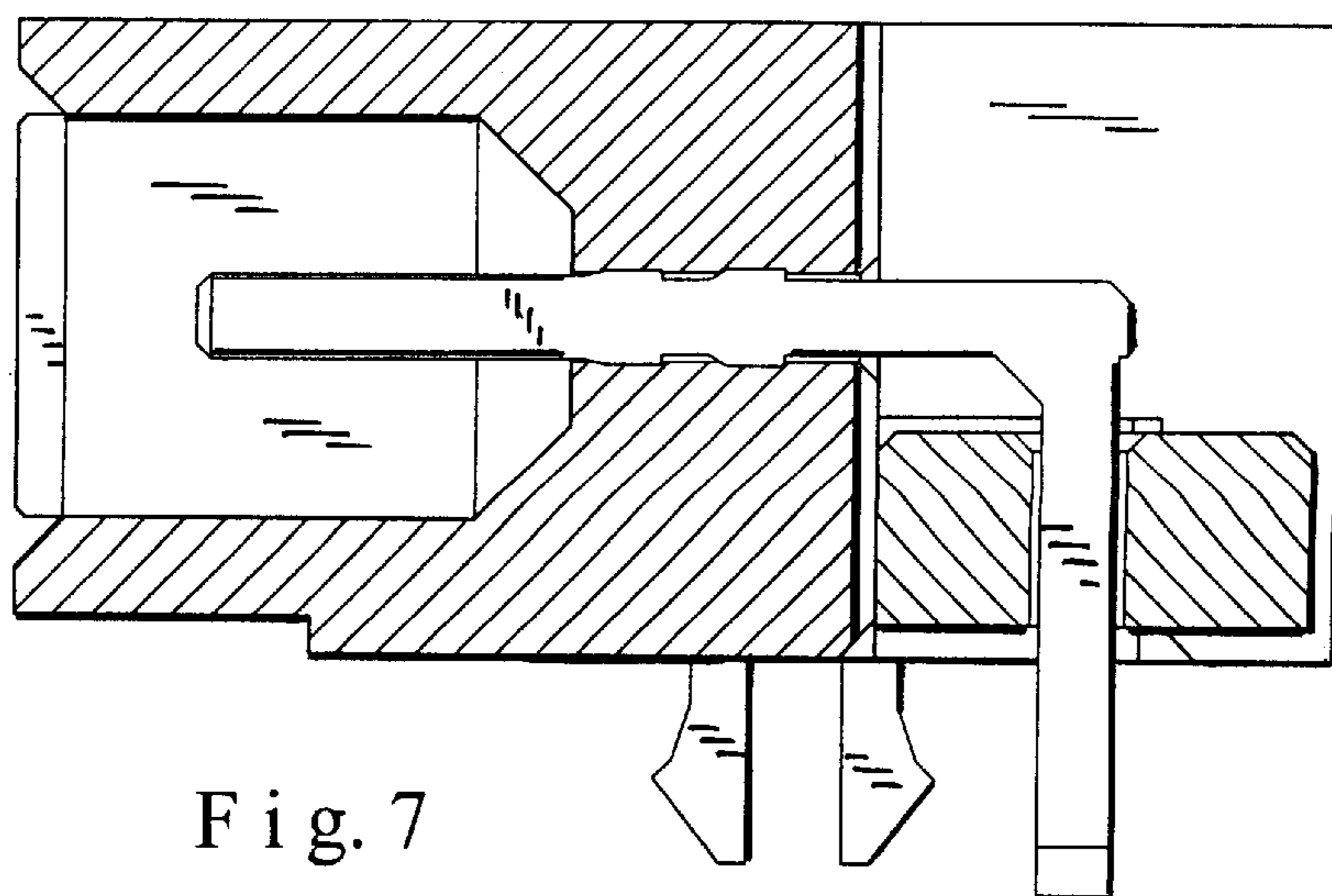
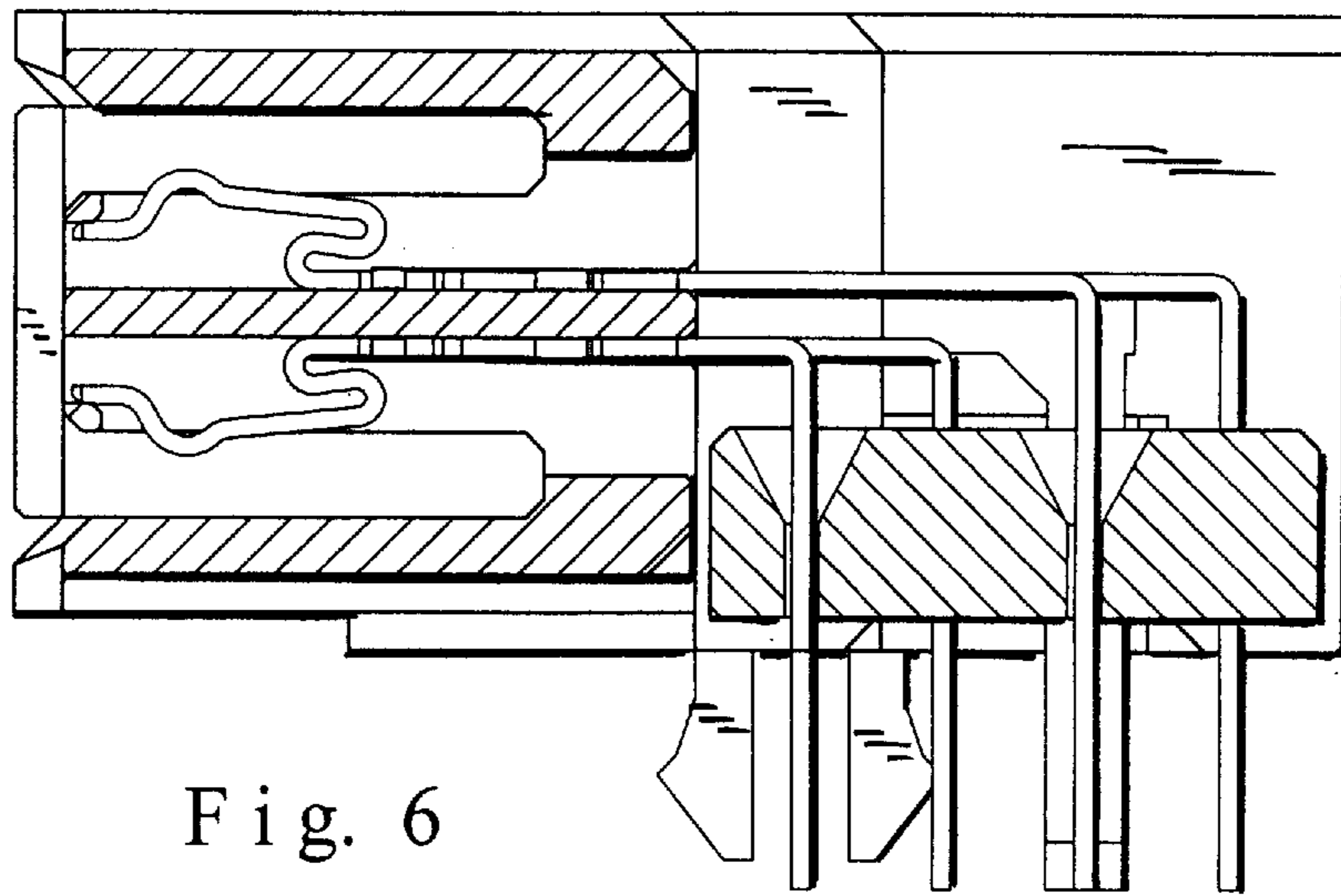
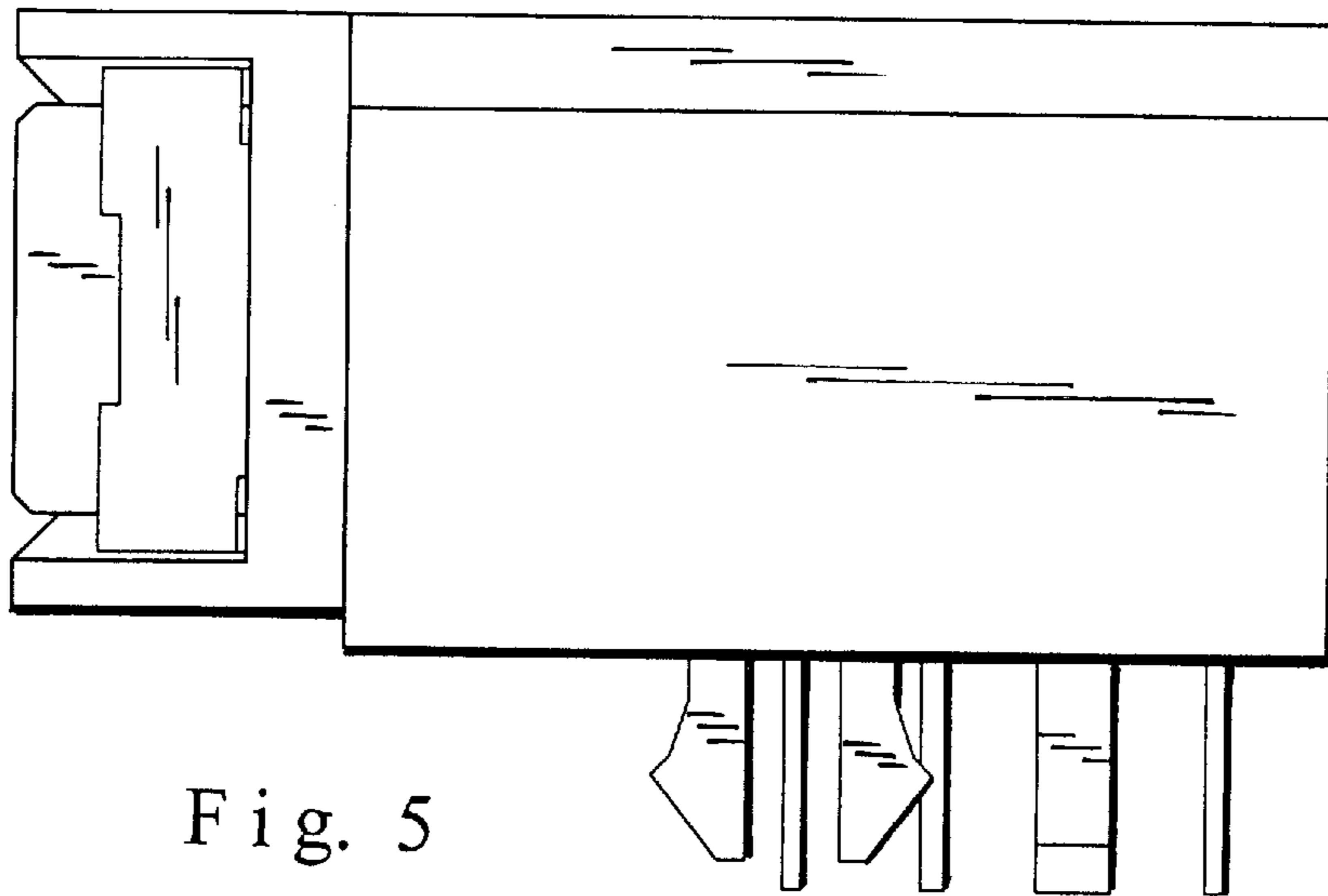


Fig. 4



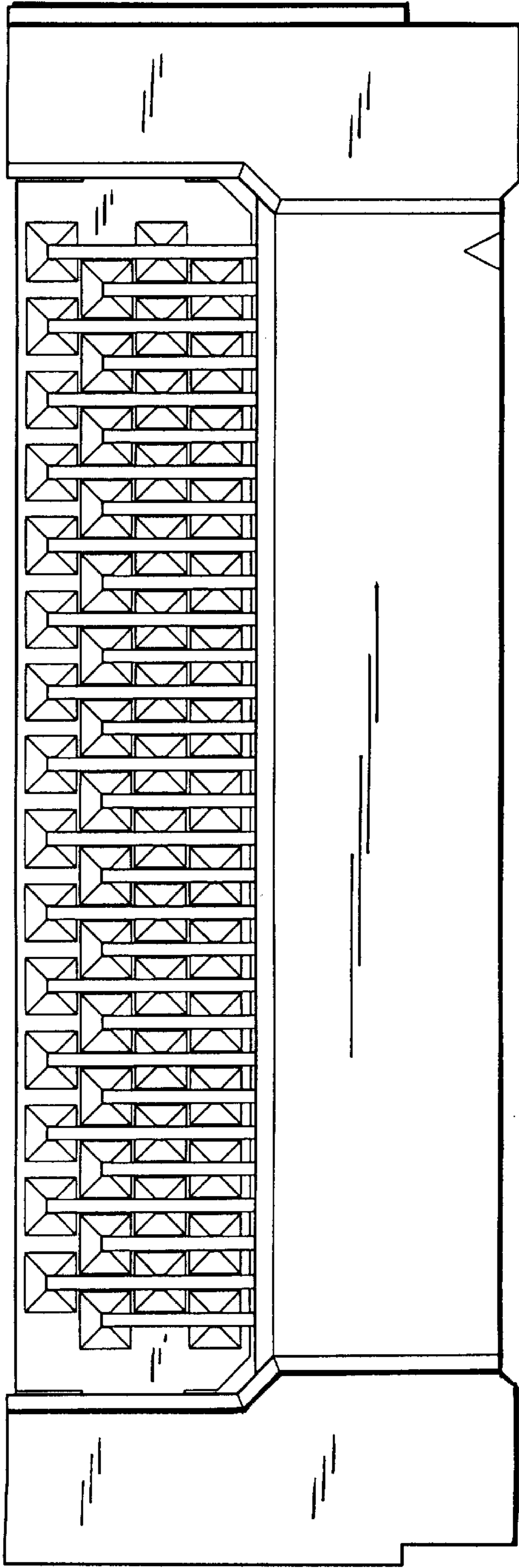


Fig. 8

13

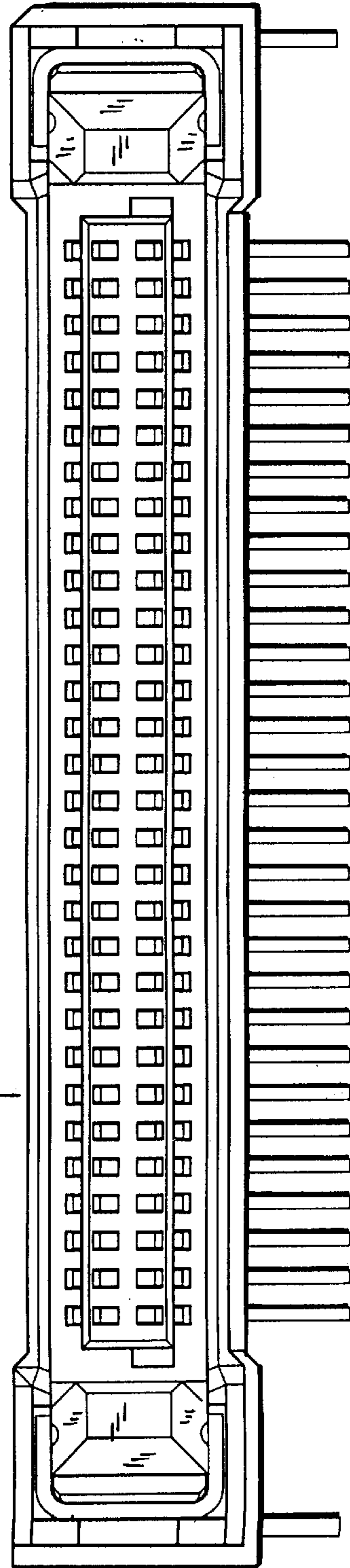


Fig. 9

13

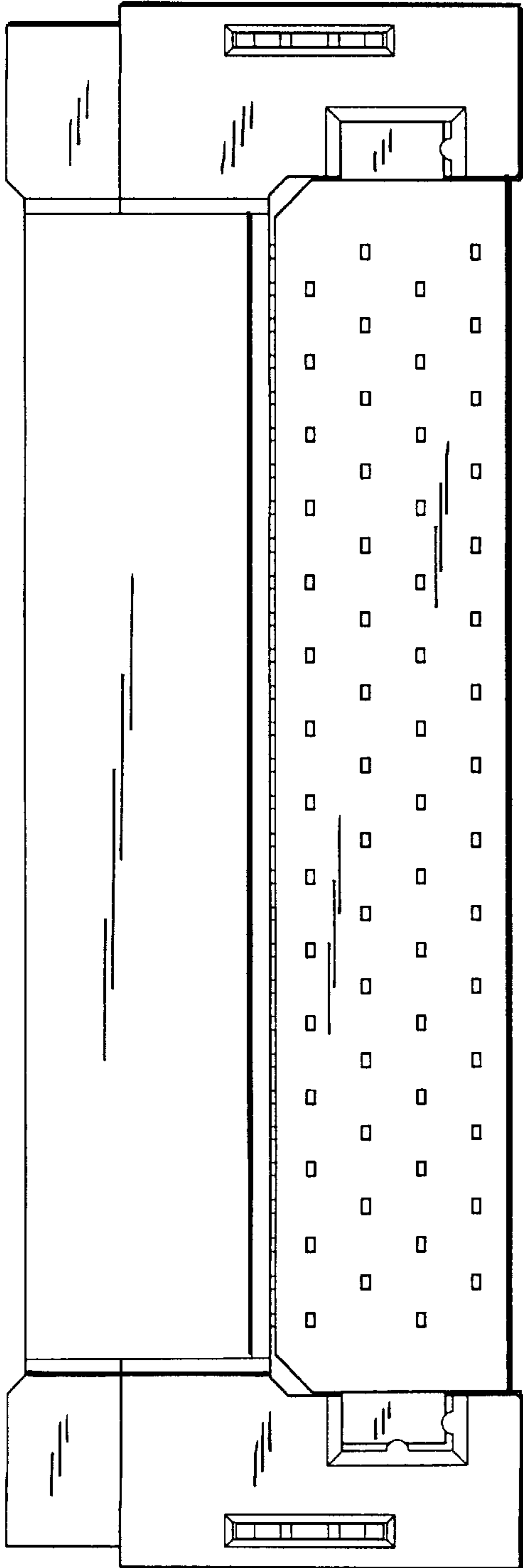


Fig. 10

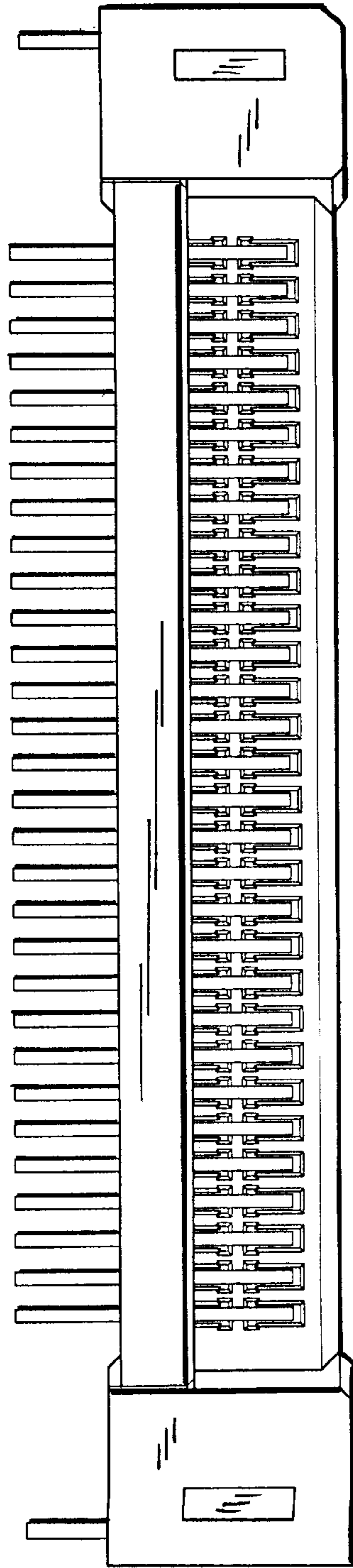


Fig. 11

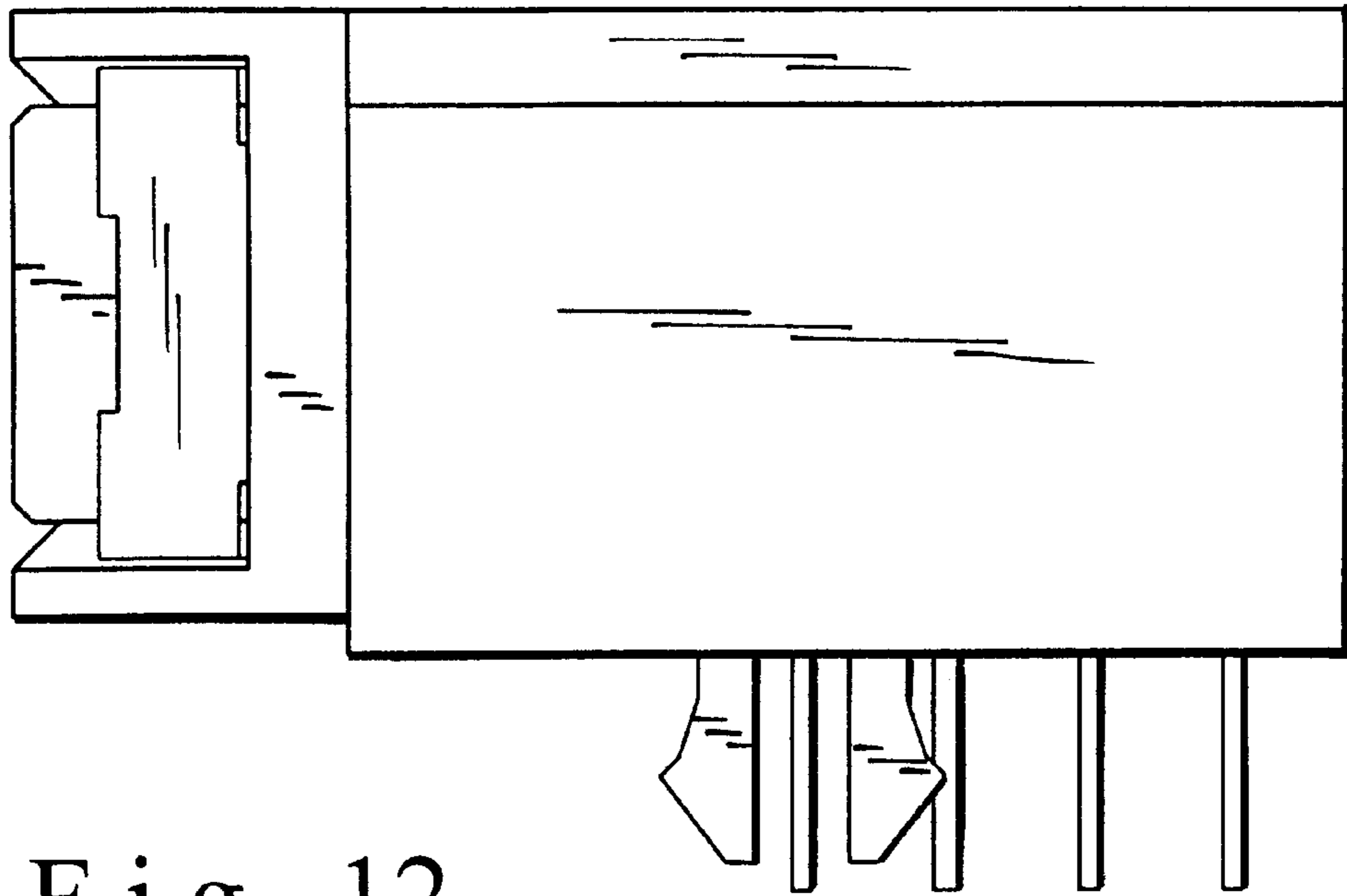


Fig. 12

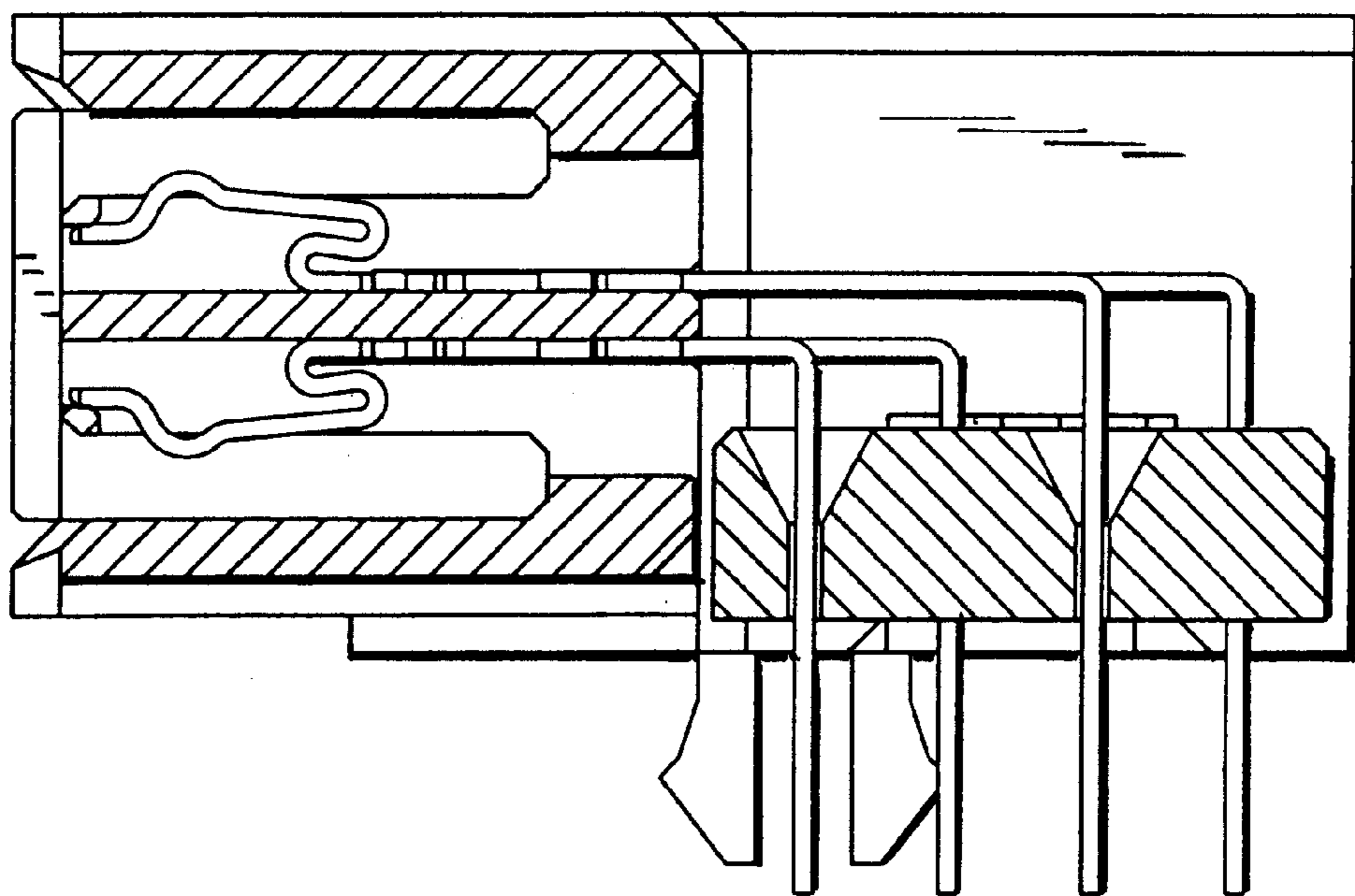


Fig. 13