



US00D415990S

# United States Patent [19]

**Bekat**

[11] **Patent Number: Des. 415,990**

[45] **Date of Patent: \*\* Nov. 2, 1999**

[54] **VEHICLE WHEEL**

[75] **Inventor: Arif Oliver Bekat**, Esslingen, Germany

[73] **Assignee: Alu Products Marketing**, Esslegen, Germany

[\*\*] **Term: 14 Years**

D. 396,442 7/1998 Hale, Jr. .... D12/209  
 D. 396,444 7/1998 Neeper ..... D12/209  
 D. 398,276 9/1998 Neeper ..... D12/209  
 D. 398,278 9/1998 Brown et al. .... D12/211  
 D. 400,154 10/1998 Noriega ..... D12/209  
 D. 401,206 11/1998 Ivanova ..... D12/209  
 D. 401,208 11/1998 Neeper ..... D12/209

[21] **Appl. No.: 29/093,128**

[22] **Filed: Sep. 1, 1998**

*Primary Examiner*—Caron D. Veynar  
*Assistant Examiner*—Stacia Sinuik  
*Attorney, Agent, or Firm*—Fulwider Patton Lee & Utecht, LLP

[51] **LOC (6) Cl. .... 12-16**

[52] **U.S. Cl. .... D12/209**

[58] **Field of Search .... D12/204-213;**  
 301/64.1, 65, 37.1

[57] **CLAIM**

The ornamental design for a vehicle wheel, as shown and described.

[56] **References Cited**

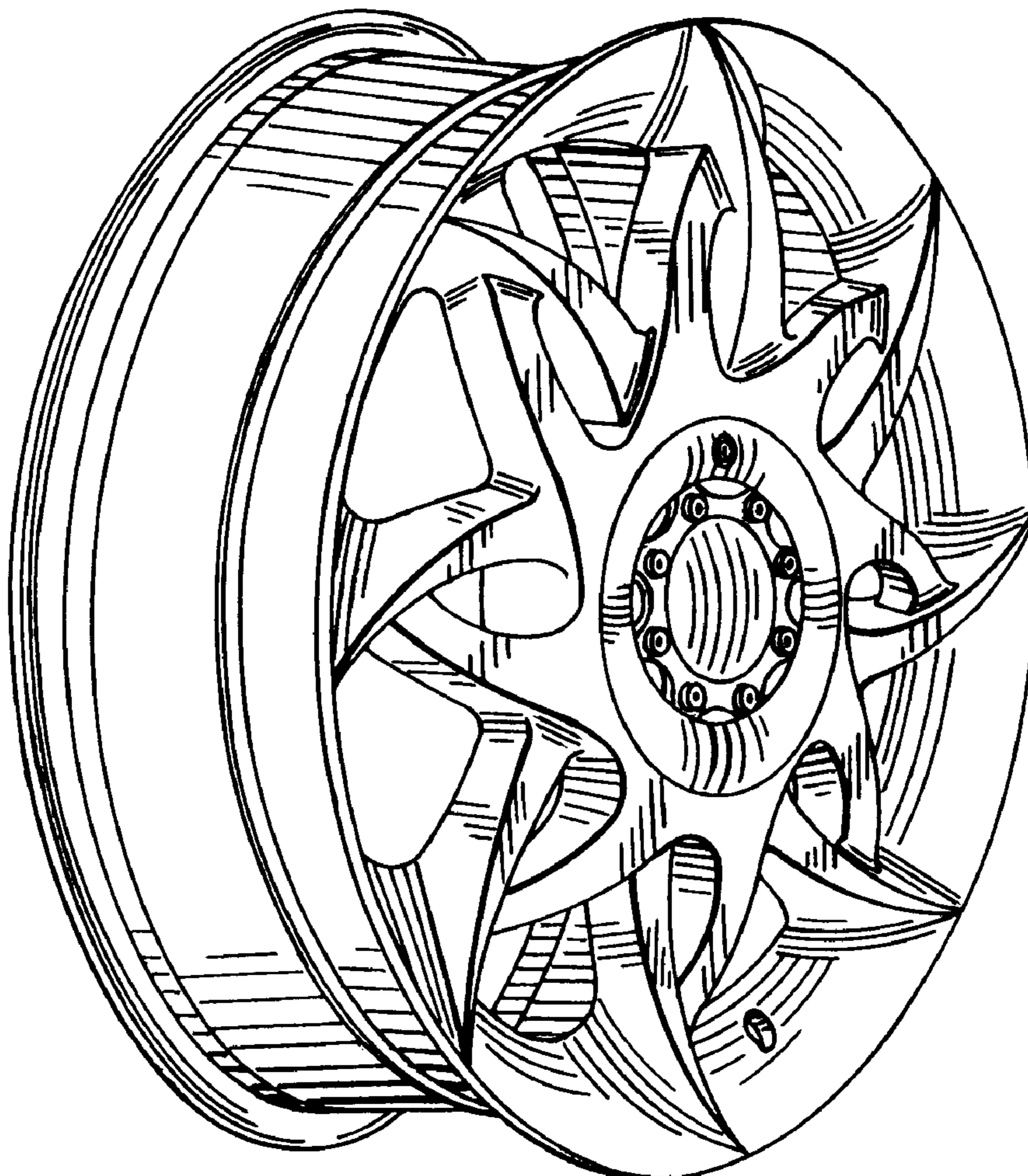
**U.S. PATENT DOCUMENTS**

D. 380,431 7/1997 Brown et al. .... D12/209  
 D. 384,633 10/1997 Syring ..... D12/211  
 D. 385,246 10/1997 Neeper ..... D12/209  
 D. 395,862 7/1998 Cullen ..... D12/209

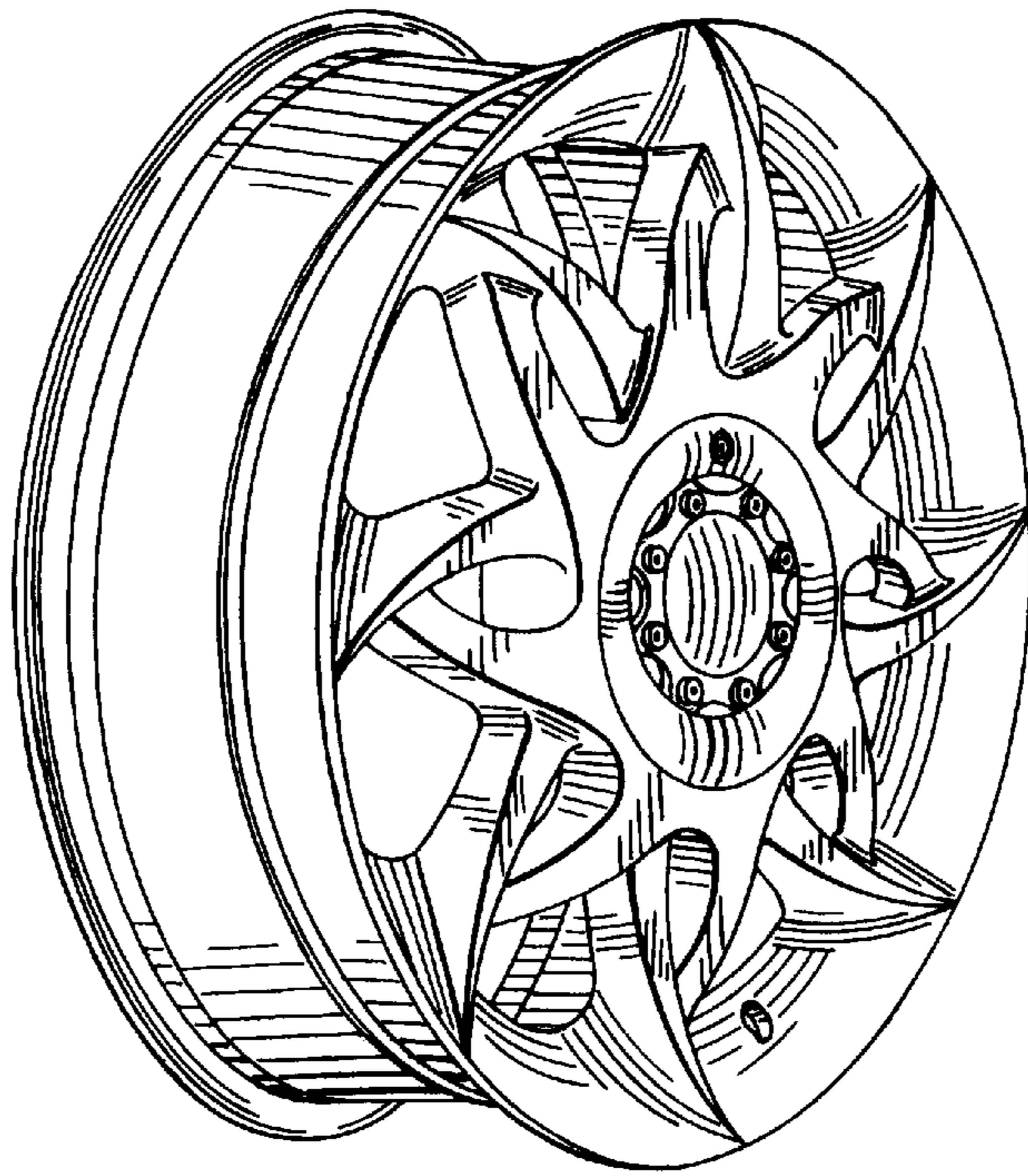
**DESCRIPTION**

FIG. 1 is a perspective view of a vehicle wheel showing my new design;  
 FIG. 2 is an enlarged left side view thereof, it being understood that the right side is a mirror image thereof; and,  
 FIG. 3 is an enlarged front view thereof.

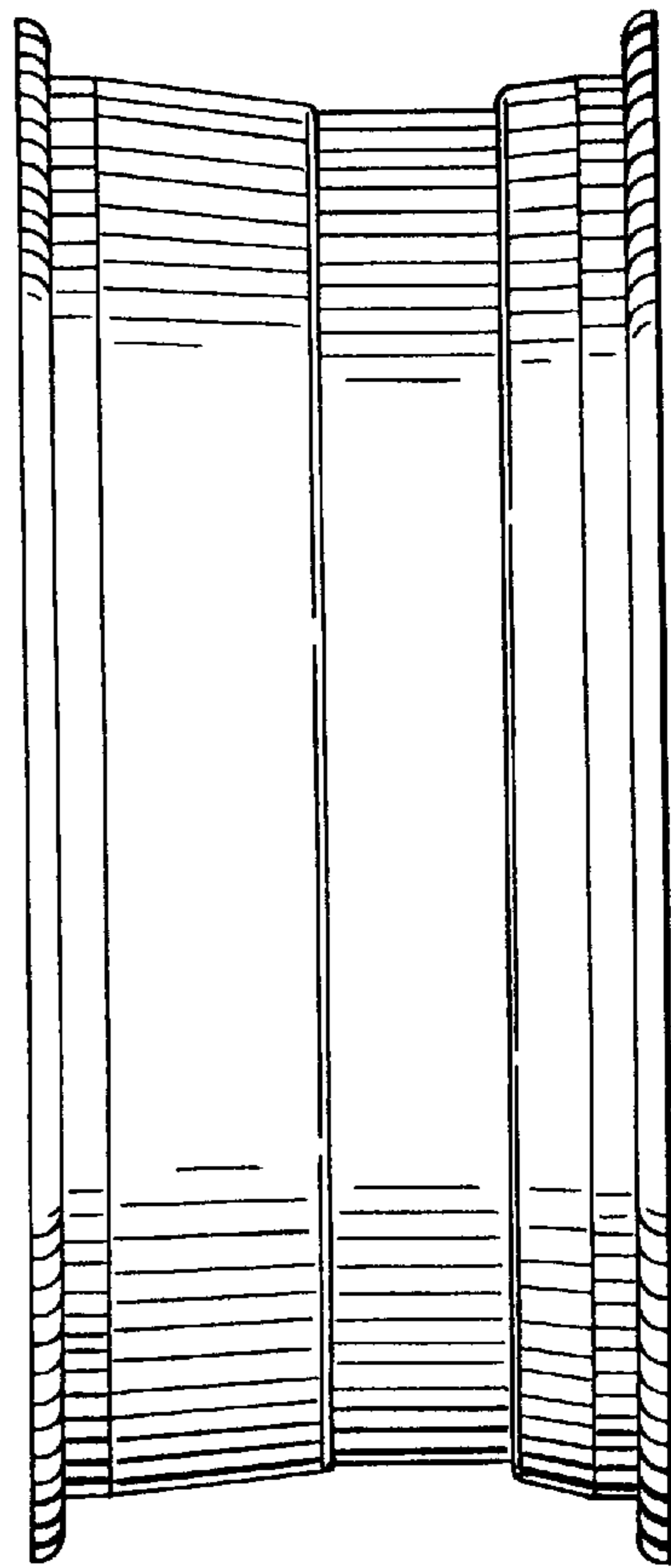
**1 Claim, 2 Drawing Sheets**



*FIG. 1*



*FIG. 2*



*FIG. 3*

