



US00D415986S

**United States Patent** [19]  
**Stech**

[11] **Patent Number: Des. 415,986**

[45] **Date of Patent: \*\* Nov. 2, 1999**

[54] **HITCH BALL AND LOCK ASSEMBLY**

5,476,281 12/1995 Worthington ..... 280/507  
5,695,204 12/1997 Ford ..... 280/507

[76] Inventor: **Clyde G. Stech**, 1110 Elizabeth St.,  
Corpus Christi, Tex. 78404

*Primary Examiner*—Melody N Brown  
*Attorney, Agent, or Firm*—Taylor & Associates, P.C.

[\*\*] Term: **14 Years**

[57] **CLAIM**

[21] Appl. No.: **29/085,870**

The ornamental design for a hitch ball and lock assembly, as shown and described.

[22] Filed: **Mar. 31, 1998**

**DESCRIPTION**

[51] **LOC (6) Cl.** ..... **12-16**

[52] **U.S. Cl.** ..... **D12/162**

[58] **Field of Search** ..... D12/162; 280/507,  
280/510-513

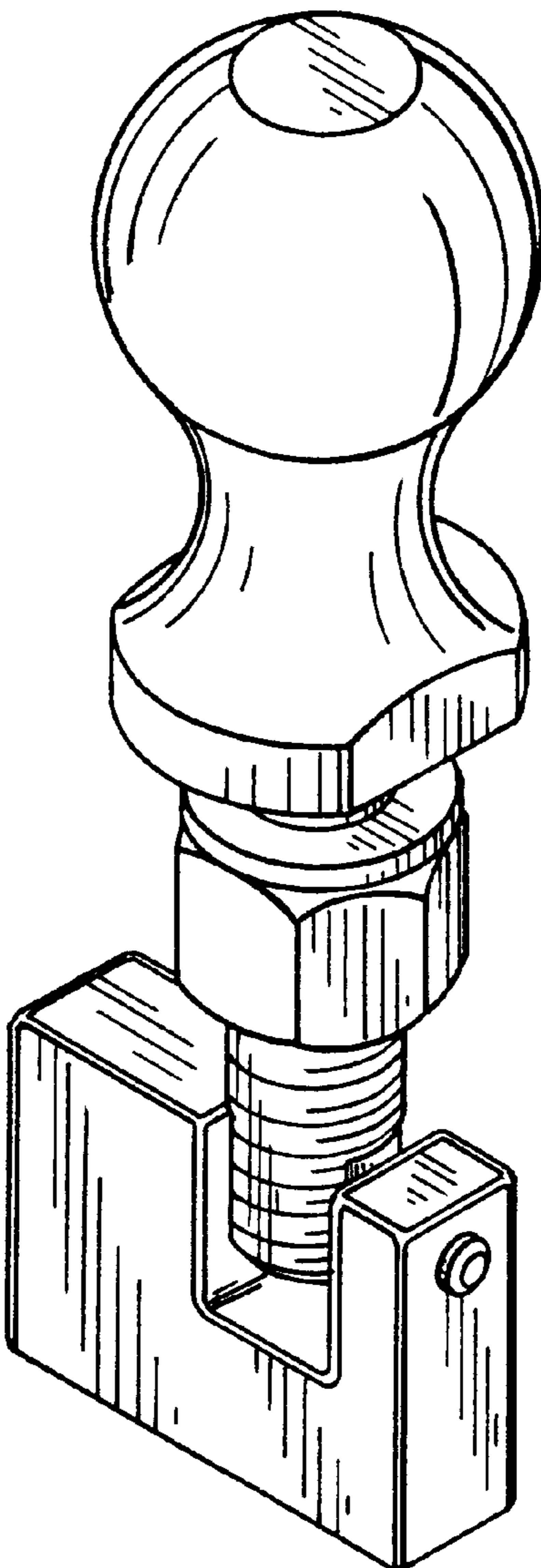
FIG. 1 is a perspective view of a hitch ball and lock assembly showing my new design;  
FIG. 2 is a side view thereof;  
FIG. 3 is another side view thereof opposite FIG. 2;  
FIG. 4 is yet another side view thereof;  
FIG. 5 is another side view thereof opposite FIG. 4;  
FIG. 6 is a top view thereof; and,  
FIG. 7 is a bottom view thereof.

[56] **References Cited**

**U.S. PATENT DOCUMENTS**

D. 342,472 12/1993 Harper ..... D12/162  
D. 376,180 12/1996 McCoy ..... D12/162  
5,395,131 3/1995 Herrick ..... 280/507

**1 Claim, 2 Drawing Sheets**



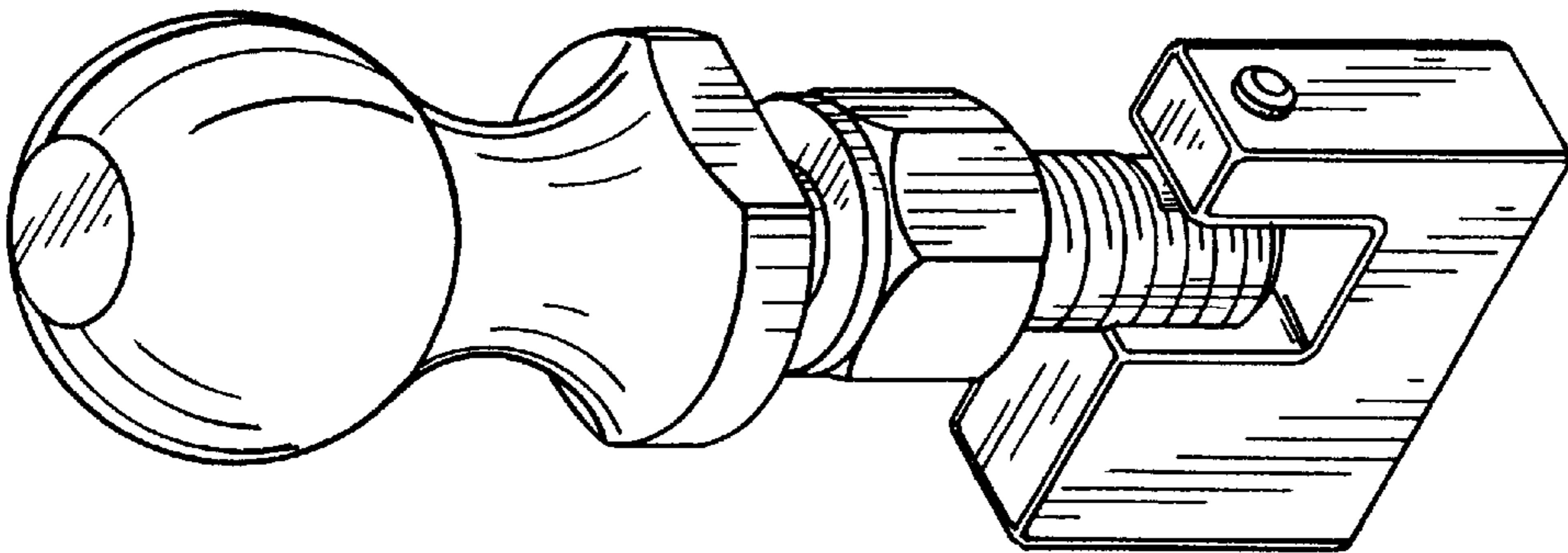


Fig. 1

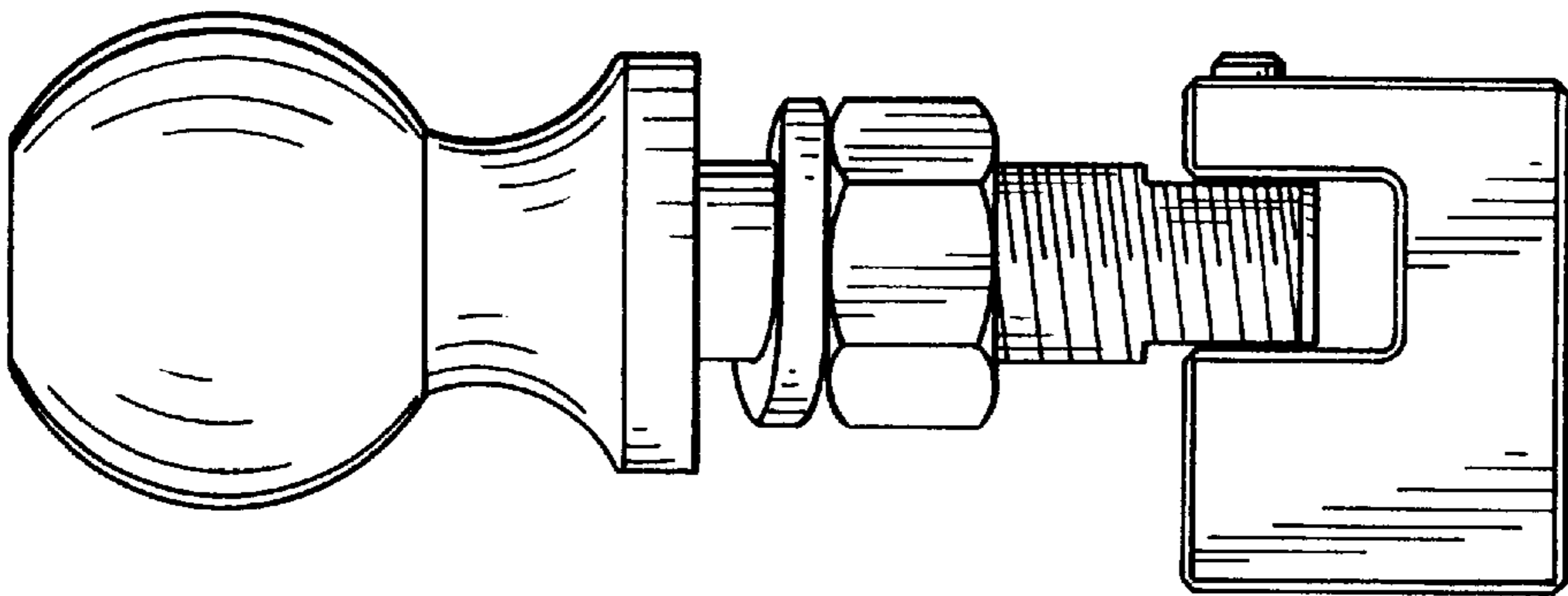


Fig. 2

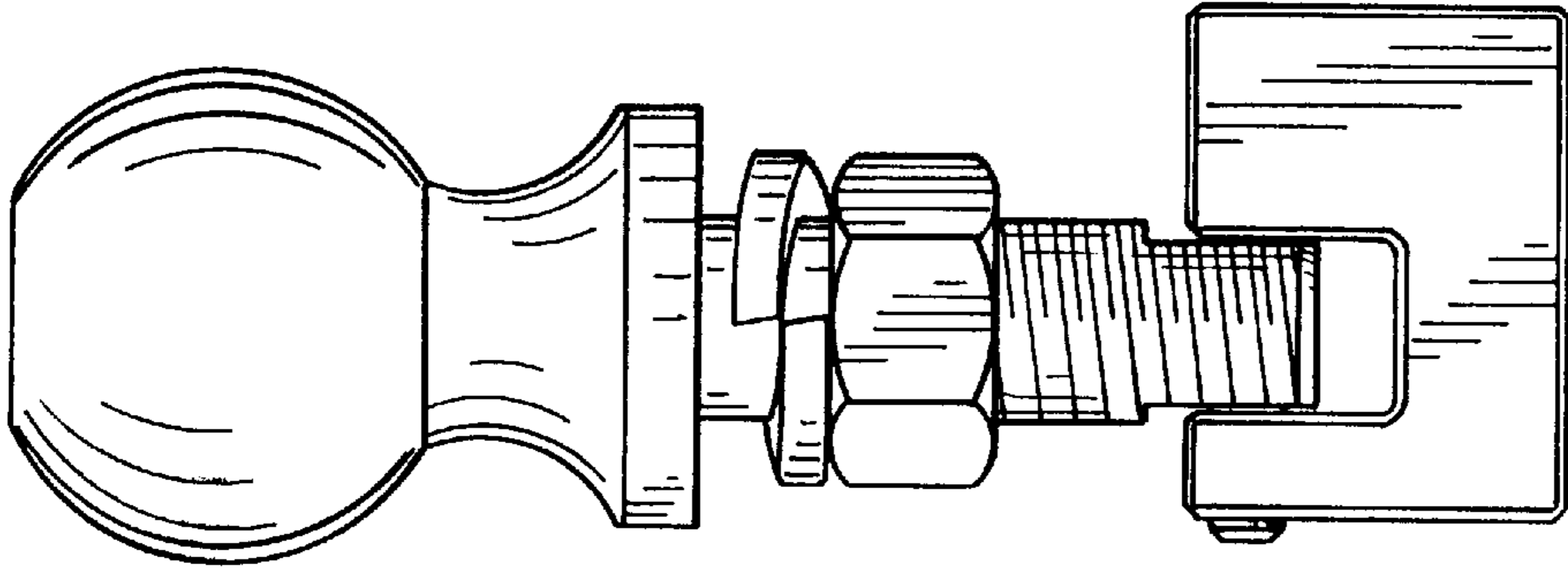


Fig. 3

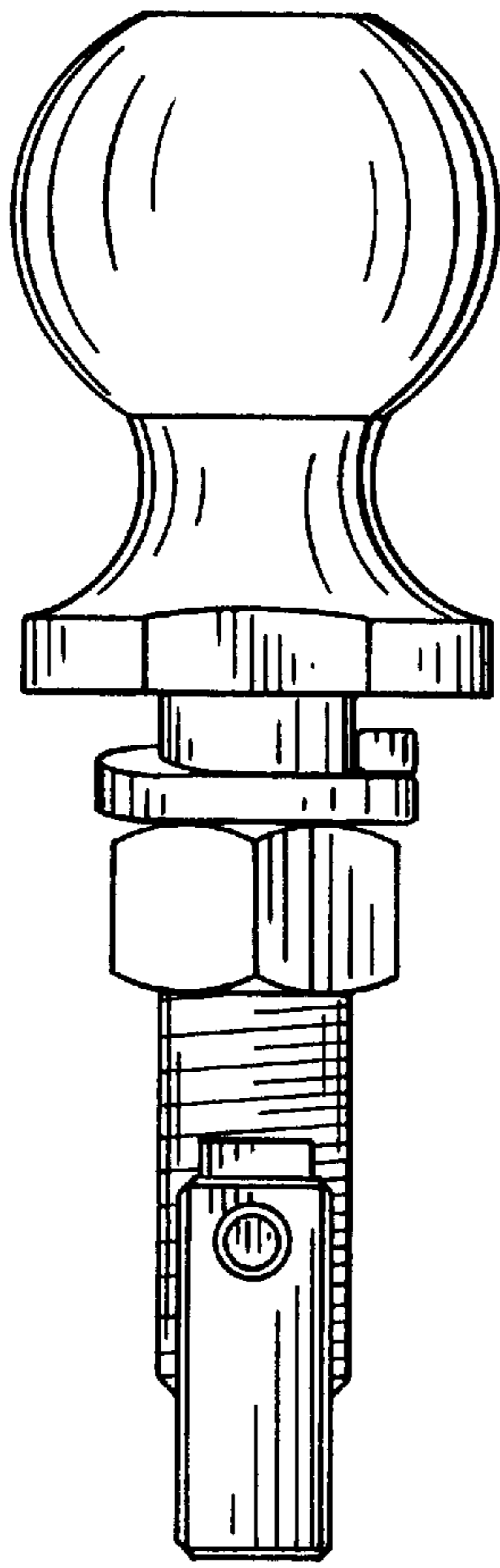


Fig. 4

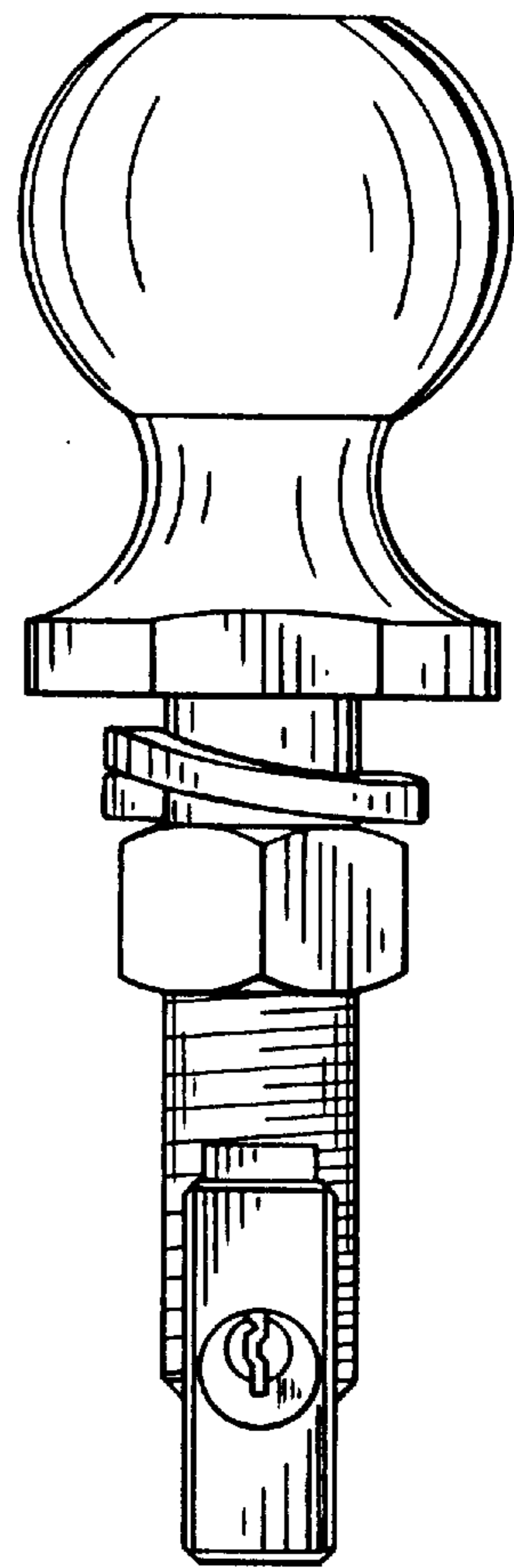


Fig. 5

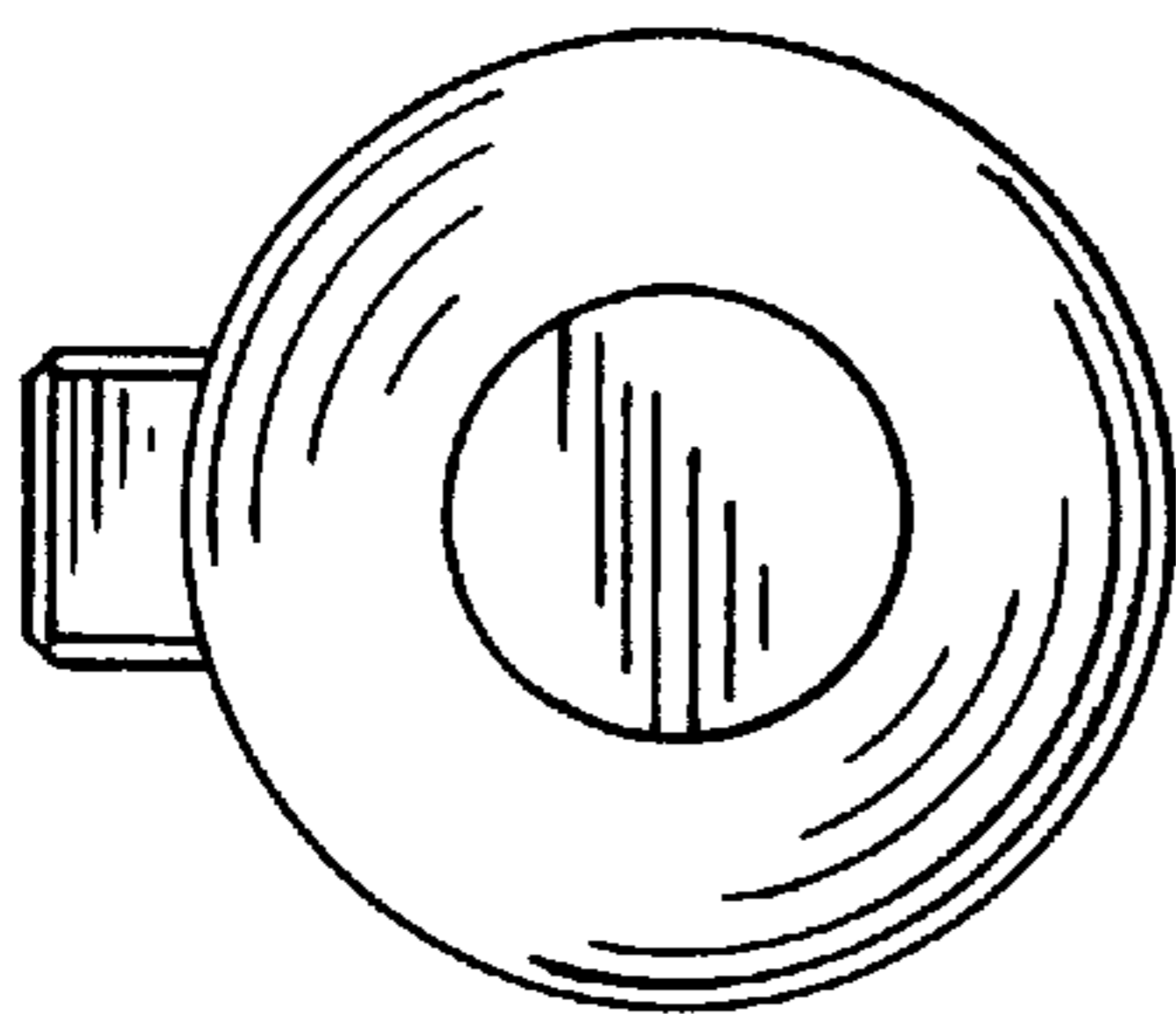


Fig. 6

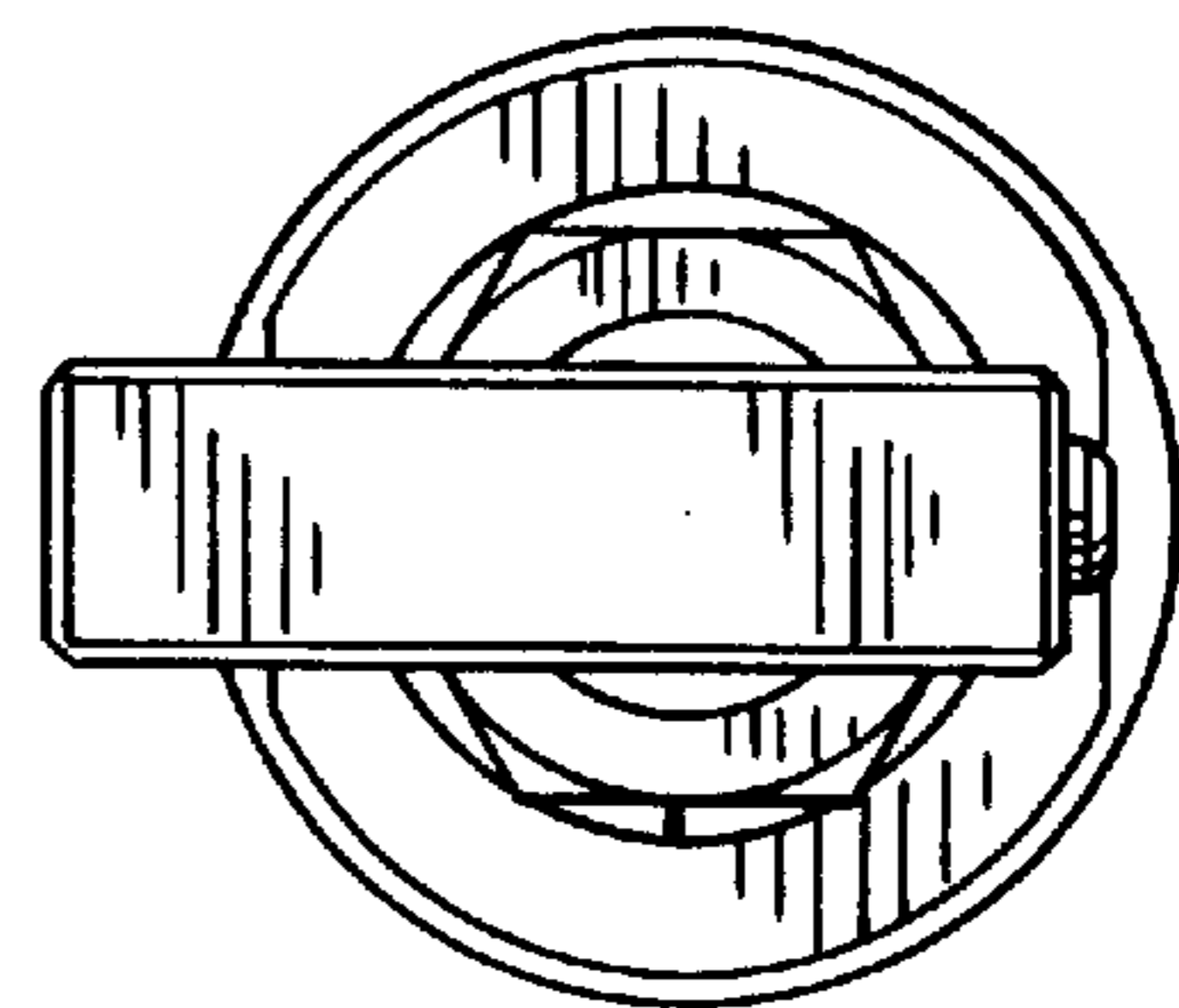


Fig. 7