



US00D415982S

United States Patent [19]

Consolacion et al.

[11] Patent Number: **Des. 415,982**

[45] Date of Patent: **** Nov. 2, 1999**

[54] **TIRE TREAD**

[75] Inventors: **Rudy Espinosa Consolacion**, Akron;
Keith Eric Grabo, Brecksville, both of
Ohio; **Kevin Alan Reid**, Asheville, N.C.

[73] Assignee: **The Goodyear Tire & Rubber
Company**, Akron, Ohio

[**] Term: **14 Years**

[21] Appl. No.: **29/047,989**

[22] Filed: **Dec. 18, 1995**

[51] **LOC (6) Cl.** **12-15**

[52] **U.S. Cl.** **D12/147**

[58] **Field of Search** D12/141, 142,
D12/143, 146, 147, 148; 152/209 R, 209 D

[56] **References Cited**

U.S. PATENT DOCUMENTS

D. 283,996	5/1986	Kuramochi et al.	D12/147
D. 286,393	10/1986	Kuramochi et al.	D12/147
D. 298,115	10/1988	Kuroda	D12/146
D. 301,857	6/1989	Clunk et al.	D12/147
D. 304,918	12/1989	Hinrichsen	D12/146
D. 311,163	10/1990	Rabinovich	D12/147
D. 311,366	10/1990	Kuroda	D12/147
D. 328,580	8/1992	Killian	D12/147
D. 329,031	9/1992	Lassan	D12/146
D. 334,369	3/1993	Christenbury	D12/147
D. 334,370	3/1993	White	D12/147
D. 334,371	3/1993	Hodges	D12/147
D. 339,777	9/1993	Tsuda et al.	D12/147
D. 344,052	2/1994	Attinello et al.	D12/147
D. 350,316	9/1994	Sulkowski	D12/147
D. 350,509	9/1994	Killian	D12/146
D. 350,930	9/1994	Sugimoto	D12/147
D. 354,025	1/1995	McKisson	D12/146
4,730,654	3/1988	Yamashita et al.	152/209

4,788,651	11/1988	Parker et al.	364/574
5,000,239	3/1991	Brayer et al.	152/209
5,078,190	1/1992	Wissbrock et al.	152/209
5,152,852	10/1992	Hisamichi et al.	152/209
5,211,779	5/1993	Tomioka et al.	152/209

OTHER PUBLICATIONS

Cornell Metric tire, 1994 *Tread Design Guide*, p. 15, bottom row, center.
 Pos-A-Traction Twister tire, 1994 *Tread Design Guide*, p. 51, bottom row, far right.
 Co-Op Pacemark SR tire, 1995 *Tread Design Guide*, p. 16, top row, second from right.
 Hallmark Ultra HR 765 tire, 1995 *Tread Design Guide*, p. 34, third row, second from right.
 Kumho 755 tire, 1995 *Tread Design Guide*, p. 40, second row, center.

Primary Examiner—James Gandy
Assistant Examiner—Robert M. Spear
Attorney, Agent, or Firm—T P Lewandowski

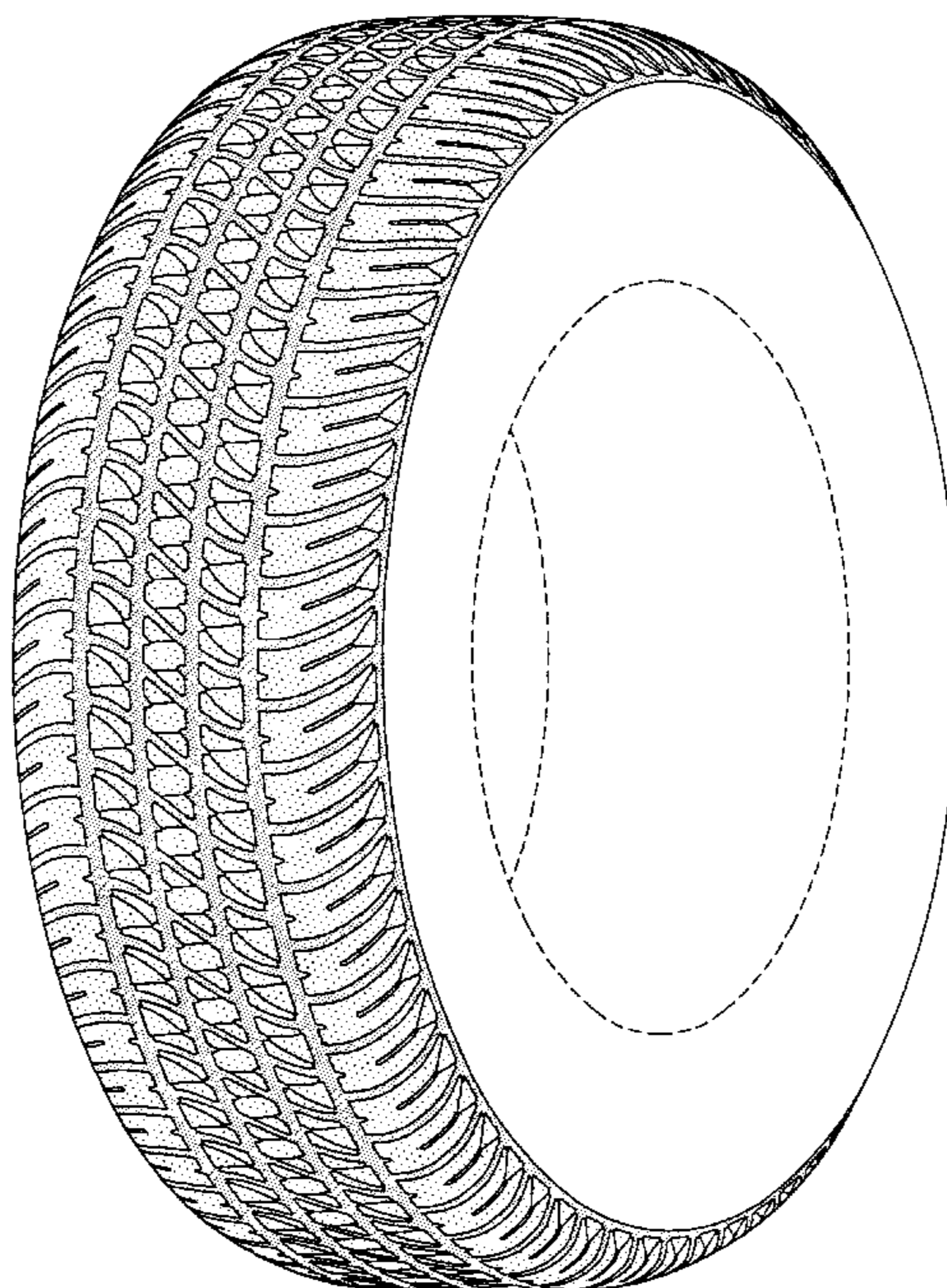
[57] **CLAIM**

The ornamental design for a tire tread, as shown and described.

DESCRIPTION

FIG. 1 is a perspective view of a tire tread, it being understood that the tread pattern repeats uniformly throughout the circumference of the tread;
 FIG. 2 is a front elevational view thereof;
 FIG. 3 is a side elevational view thereof; and,
 FIG. 4 is an enlarged fragmentary front view thereof.
 In the drawings, the broken lines defining the inner bead of the sidewall and the peripheral boundary between the tire tread and the sidewall are for illustrative purposes only and form no part of the claimed design.

1 Claim, 4 Drawing Sheets



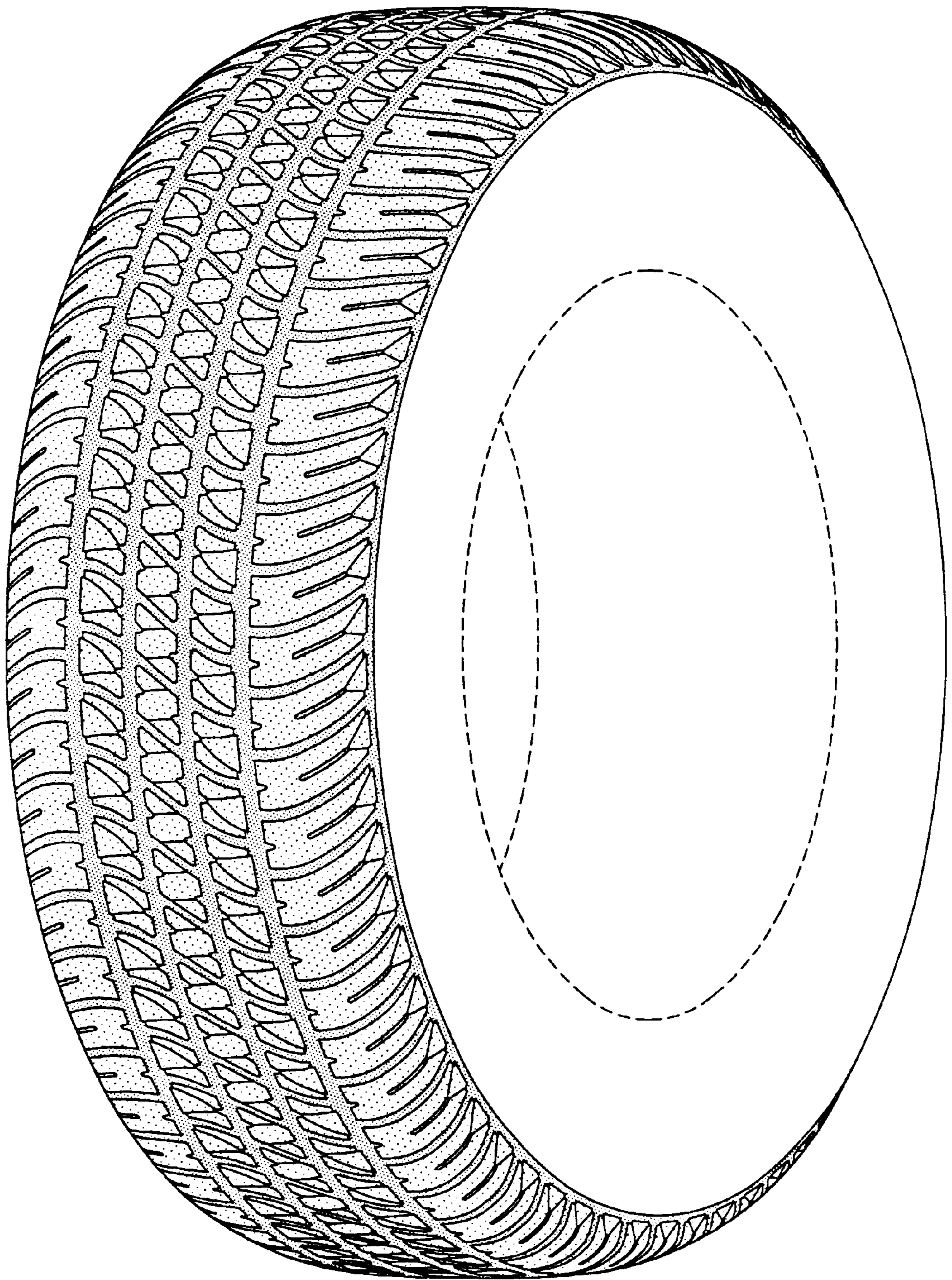


FIG-1

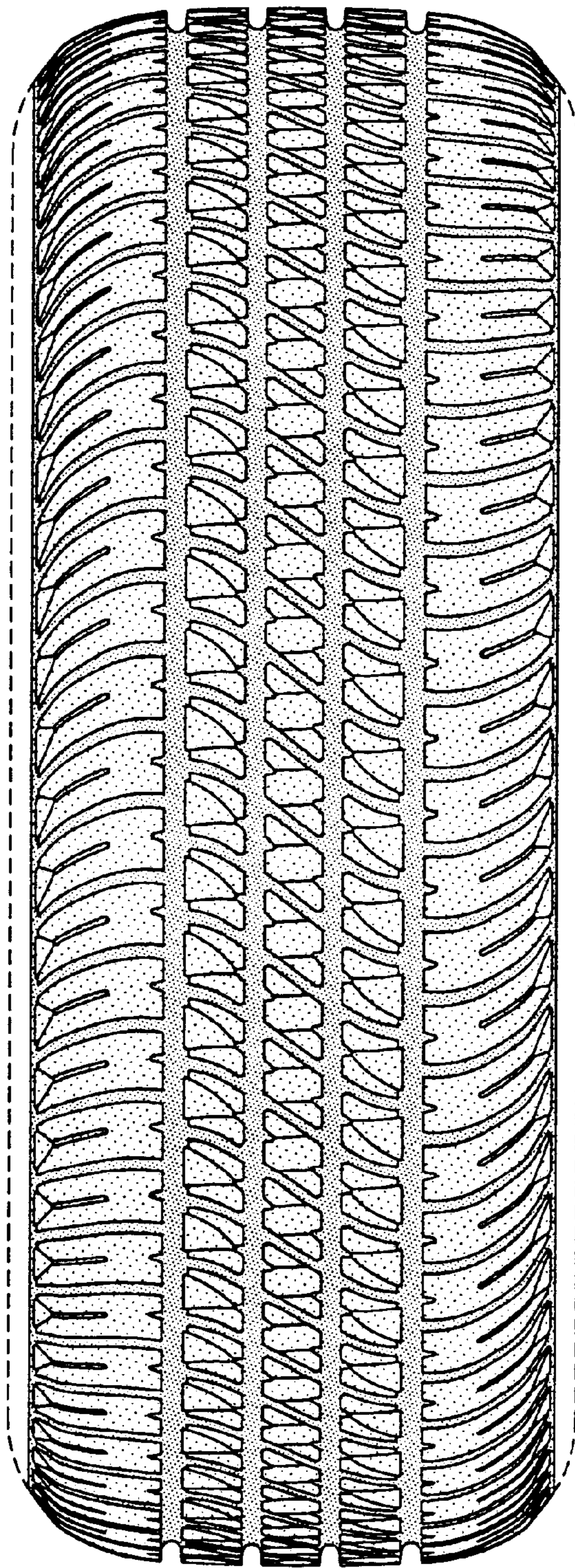


FIG-2

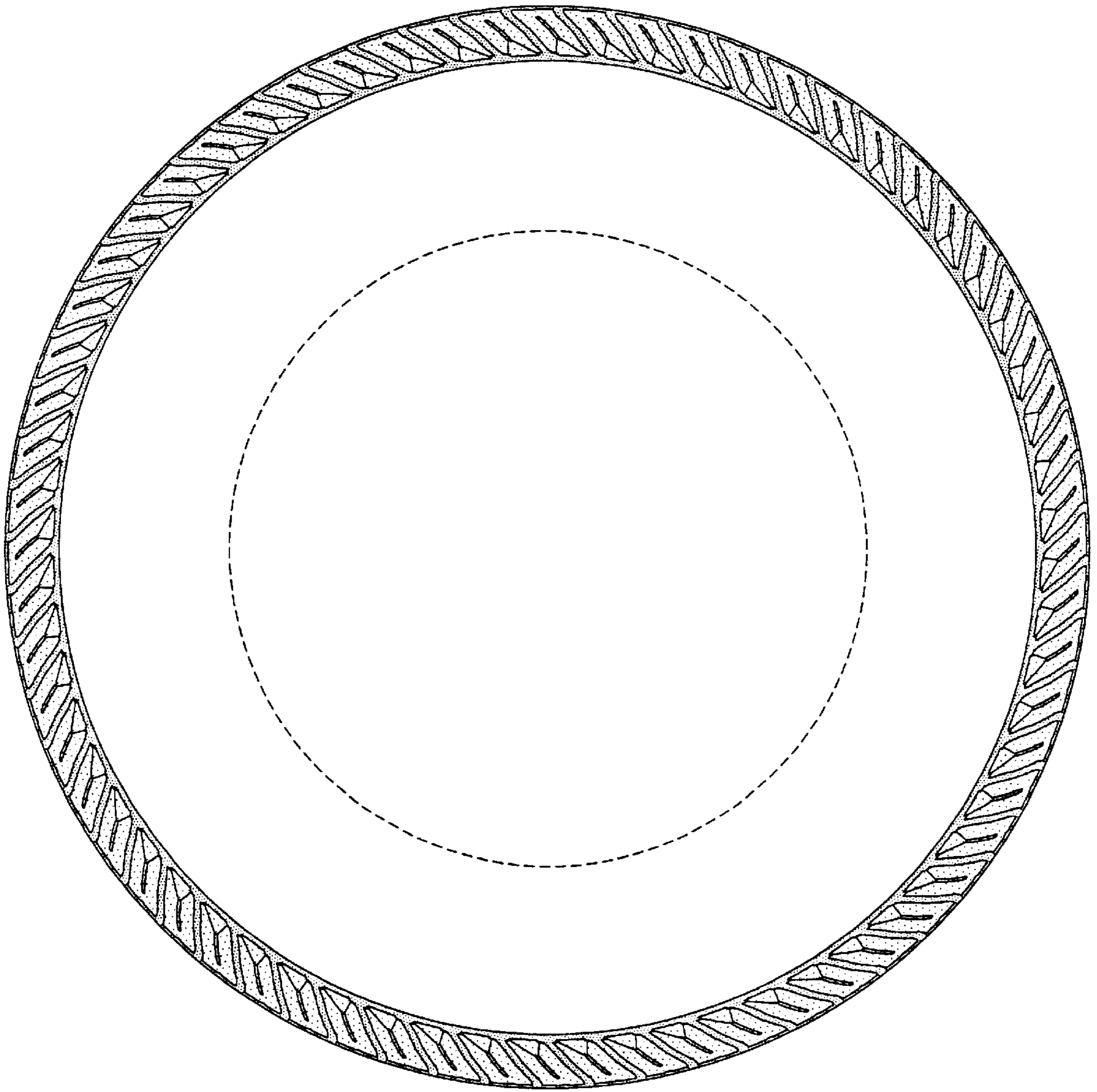


FIG-3

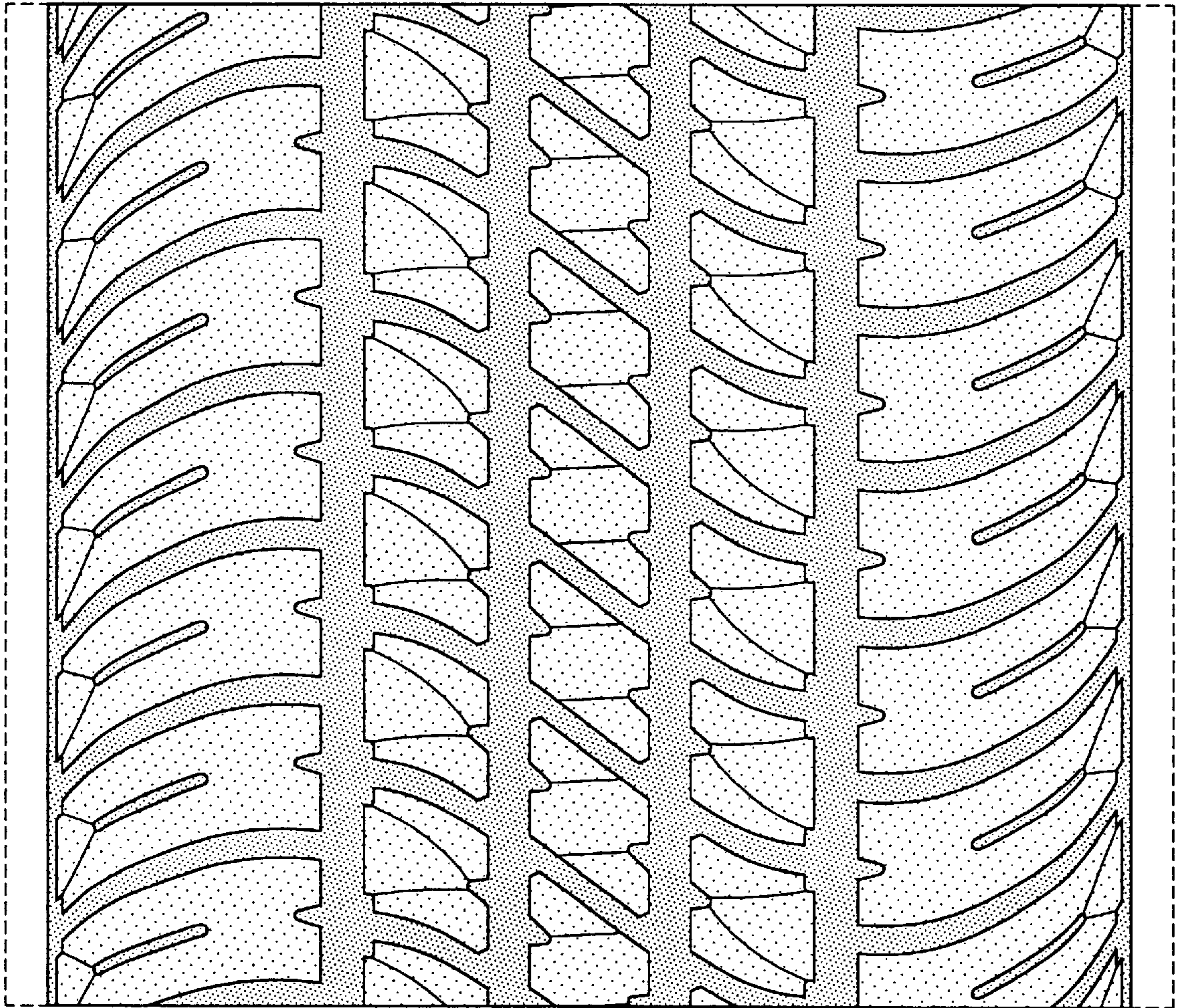


FIG-4