



US00D415981S

United States Patent [19]
Dickie

[11] **Patent Number: Des. 415,981**

[45] **Date of Patent: ** Nov. 2, 1999**

[54] **EXTRUDED SEAT FRAME WITH
ADJUSTABLE TRACK SYSTEM FOR A
WHEELCHAIR**

[75] Inventor: **Paul C. Dickie**, Clovis, Calif.

[73] Assignee: **Sunrise Medical HHG Inc.**, Longmont,
Colo.

[**] Term: **14 Years**

[21] Appl. No.: **29/096,458**

[22] Filed: **Nov. 13, 1998**

[51] **LOC (6) Cl.** **12-12**

[52] **U.S. Cl.** **D12/133**

[58] **Field of Search** **D12/128-133;**
280/250.1, 642, 647, 304.1; 297/DIG. 4

[56] **References Cited**

U.S. PATENT DOCUMENTS

D. 357,442	4/1995	Okamoto	D12/133
5,064,211	11/1991	Huttenhuis et al.	280/250.1
5,382,036	1/1995	Counts et al.	280/250.1
5,743,545	4/1998	Kunze et al.	280/250.1

Primary Examiner—**Kay H. Chin**

Attorney, Agent, or Firm—**MacMillan, Sobanski & Todd, LLC**

[57] **CLAIM**

The ornamental design for an extruded seat frame with adjustable track system for a wheelchair, as shown and described.

DESCRIPTION

FIG. 1 is a perspective view of an extruded seat frame with adjustable track system for a wheelchair showing my new design;

FIG. 2 is a left side view thereof;

FIG. 3 is a rear elevational view thereof;

FIG. 4 is a top plan view thereof;

FIG. 5 is a left side view of a second embodiment of the extruded frame;

FIG. 6 is a rear elevational view of the embodiment shown in FIG. 5;

FIG. 7 is a top plan view of the embodiment shown in FIGS. 5 and 6;

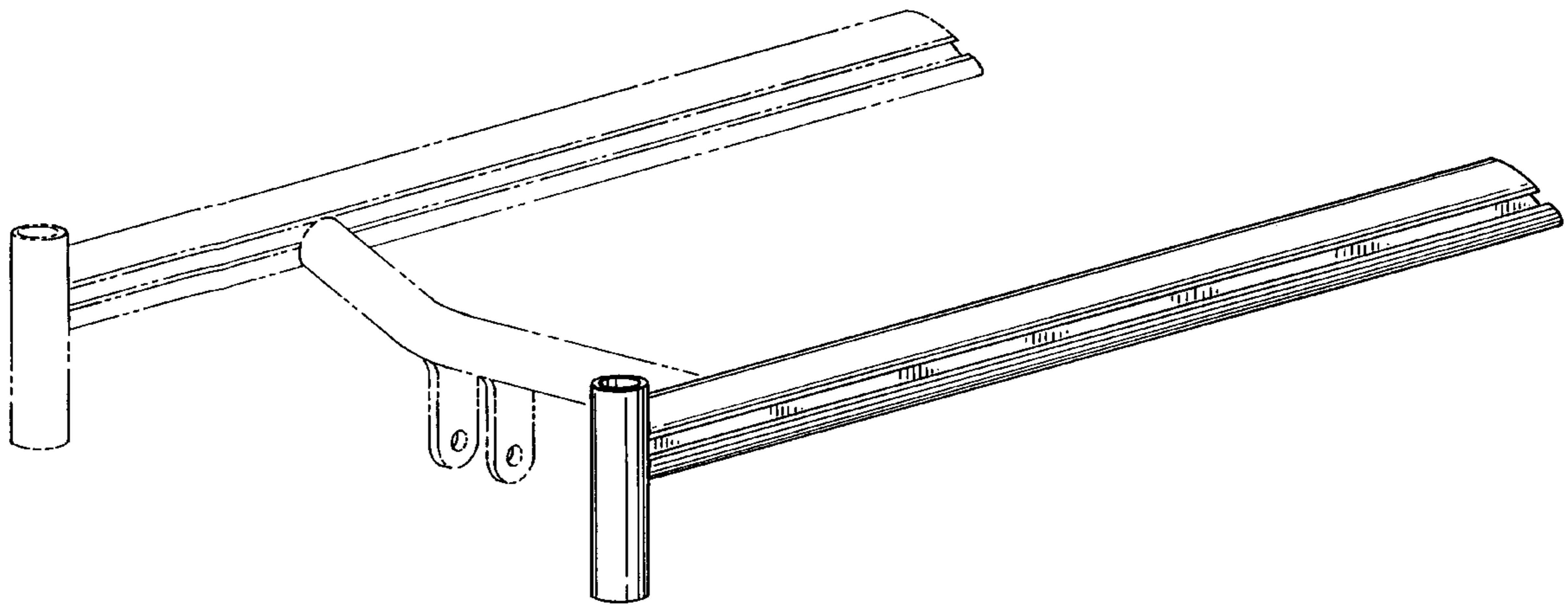
FIG. 8 is a right side view of the embodiments shown in FIGS. 1 through 7; and

FIG. 9 is a front elevational view of the embodiments shown in FIGS. 1 through 7; and,

FIG. 10 is a bottom plan view of the embodiments shown in FIGS. 1 through 7.

The broken line in FIG. 1 showing the frame and strut is for illustrative purposes only and forms no part of the claimed design.

1 Claim, 4 Drawing Sheets



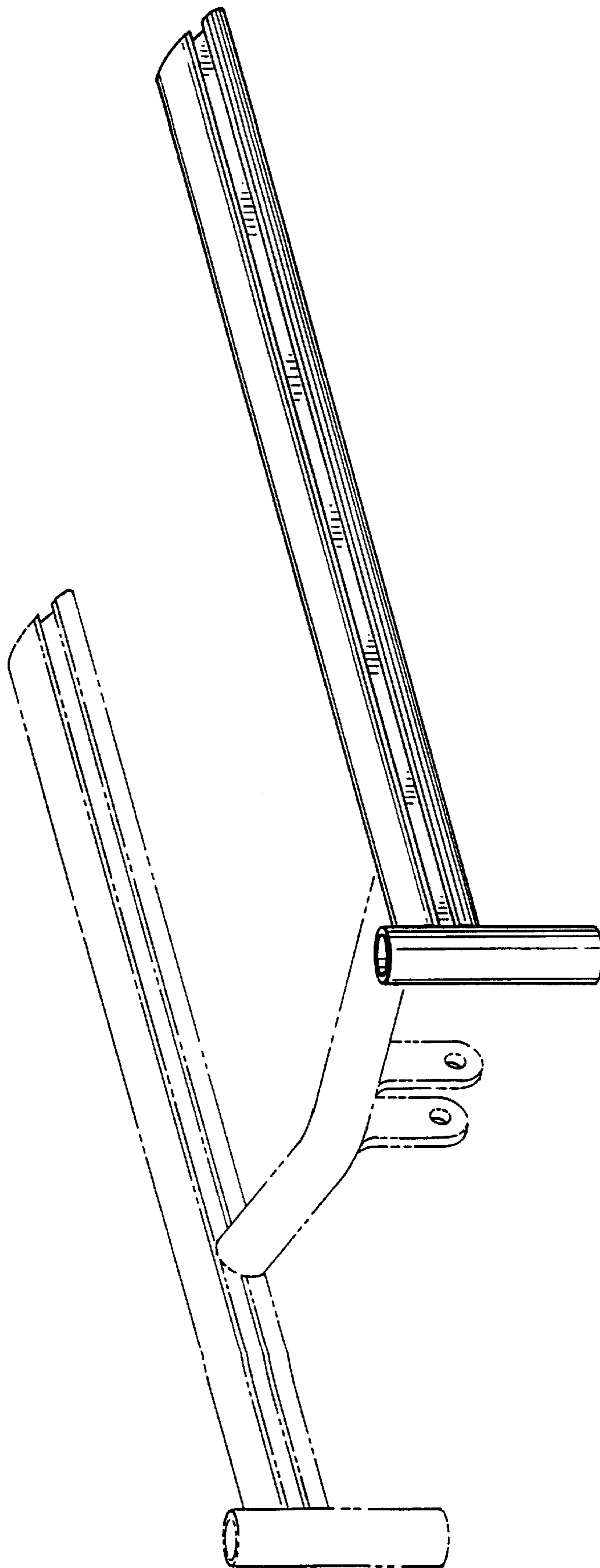


FIG. 1

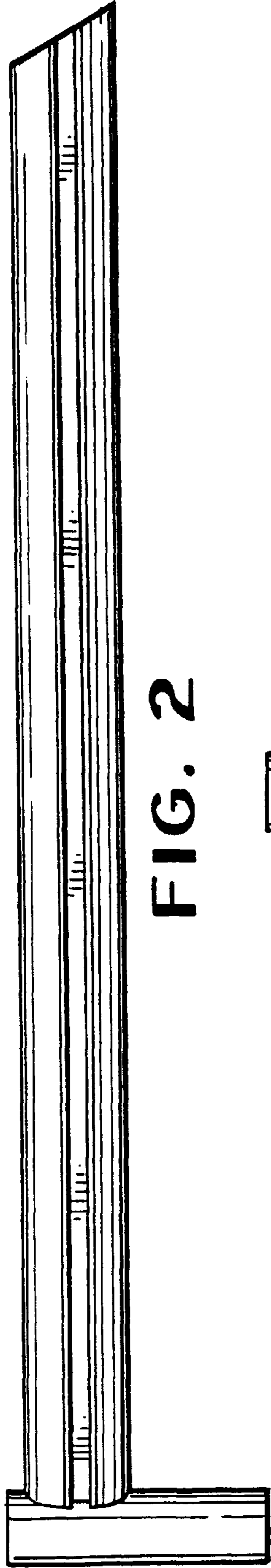


FIG. 2



FIG. 3



FIG. 4

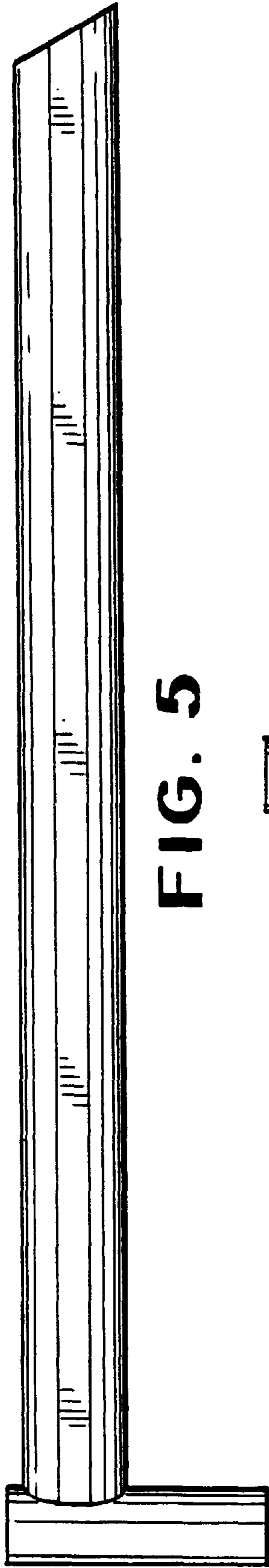


FIG. 5



FIG. 6

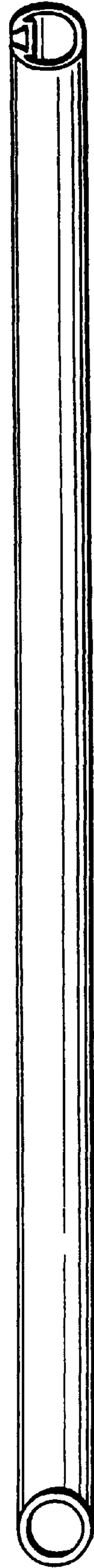


FIG. 7

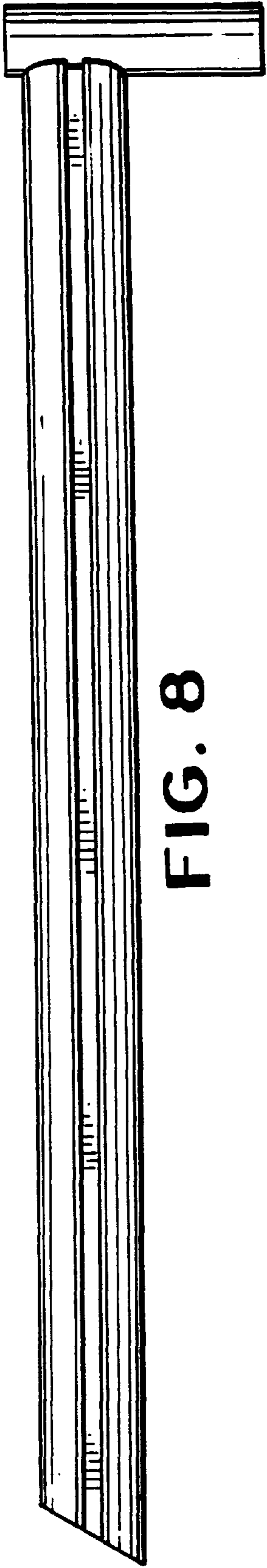


FIG. 8

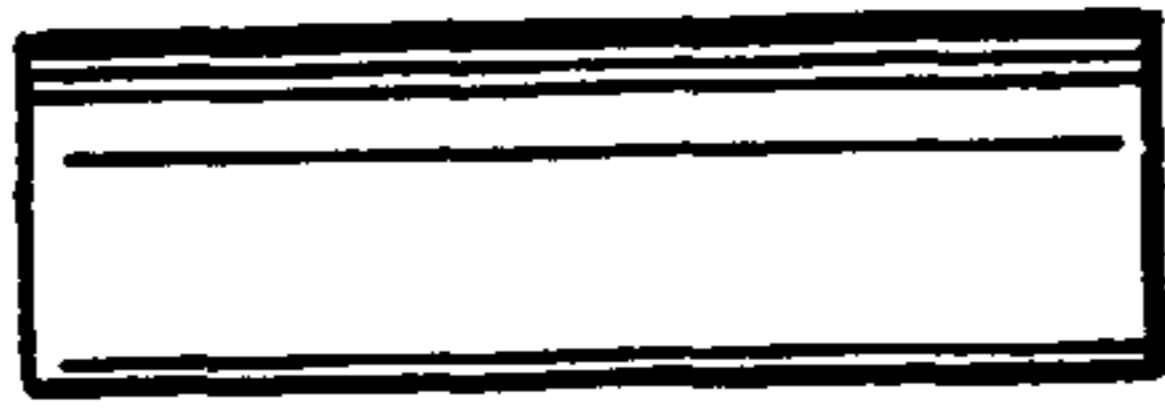


FIG. 9

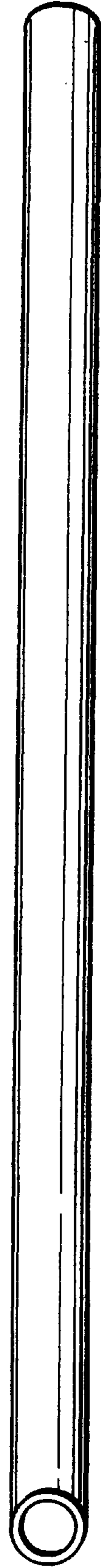


FIG. 10