



US00D415971S

United States Patent [19]

Hsu

[11] **Patent Number: Des. 415,971**

[45] **Date of Patent: ** Nov. 2, 1999**

[54] **MEASURE TAPE**

[76] Inventor: **Cheng-Hui Hsu**, No. 126, Pad Chung Road, Hsin Tien City, Taipei Hsien, Taiwan

[**] Term: **14 Years**

[21] Appl. No.: **29/100,325**

[22] Filed: **Feb. 9, 1999**

[51] **LOC (6) Cl. 10-04**

[52] **U.S. Cl. D10/72**

[58] **Field of Search D10/72; 33/755-769**

[56] **References Cited**

U.S. PATENT DOCUMENTS

- D. 376,546 12/1996 Lin D10/72
- D. 399,149 10/1998 Bennett D10/72
- 5,875,987 3/1999 Pullen 33/761 X

Primary Examiner—Antoine Duval Davis
Attorney, Agent, or Firm—Rosenberg, Klein & Bilker

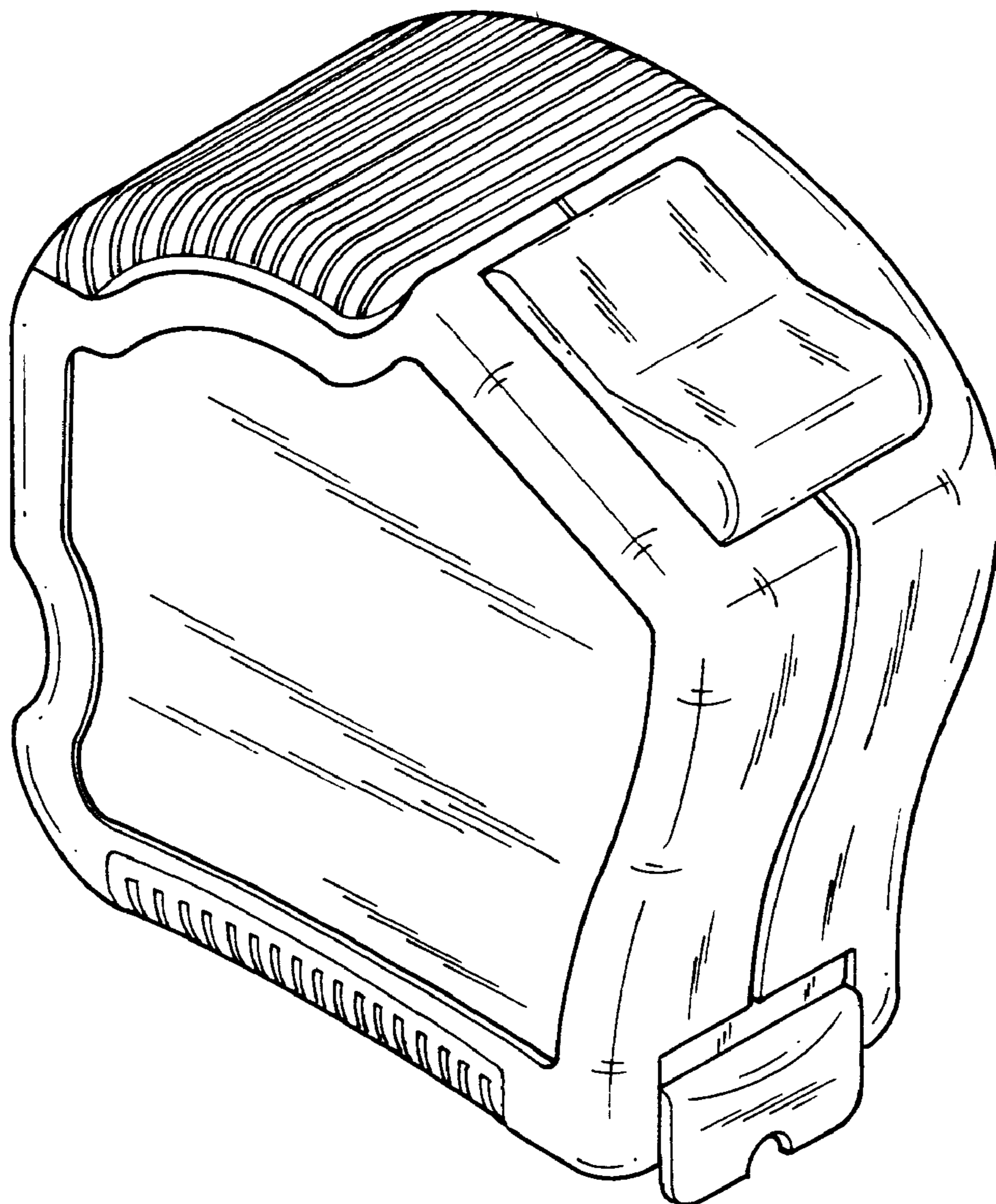
[57] **CLAIM**

The ornamental design for measure tape, as shown and described.

DESCRIPTION

FIG. 1 is a perspective view of a measure tape showing my new design;
 FIG. 2 is a front view thereof;
 FIG. 3 is a rear view thereof;
 FIG. 4 is a right side view thereof;
 FIG. 5 is a left side view thereof;
 FIG. 6 is a top plan view thereof;
 FIG. 7 is a bottom plan view thereof; and,
 FIG. 8 is a another side perspective view.

1 Claim, 5 Drawing Sheets



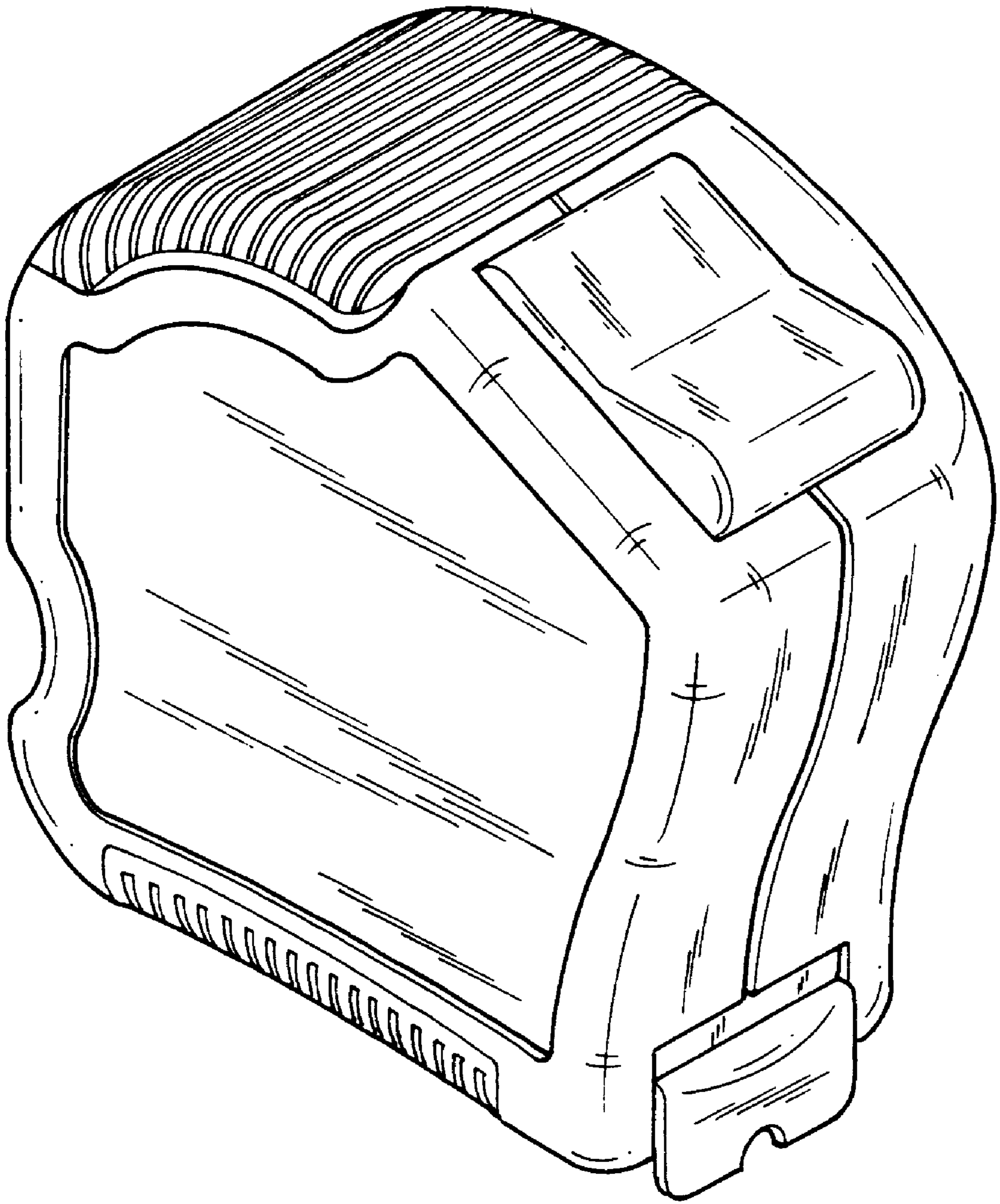


FIG. 1

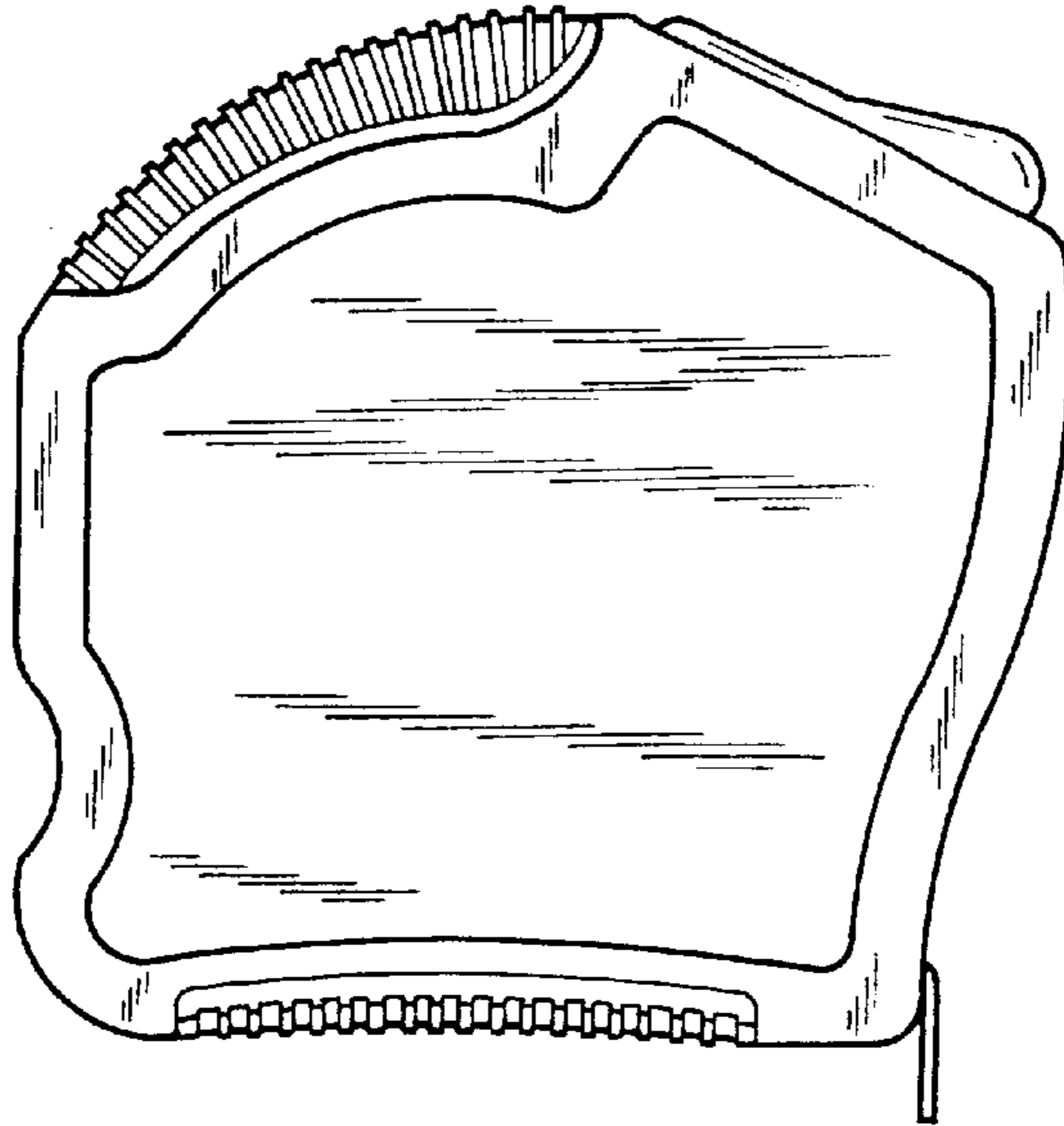


FIG. 2

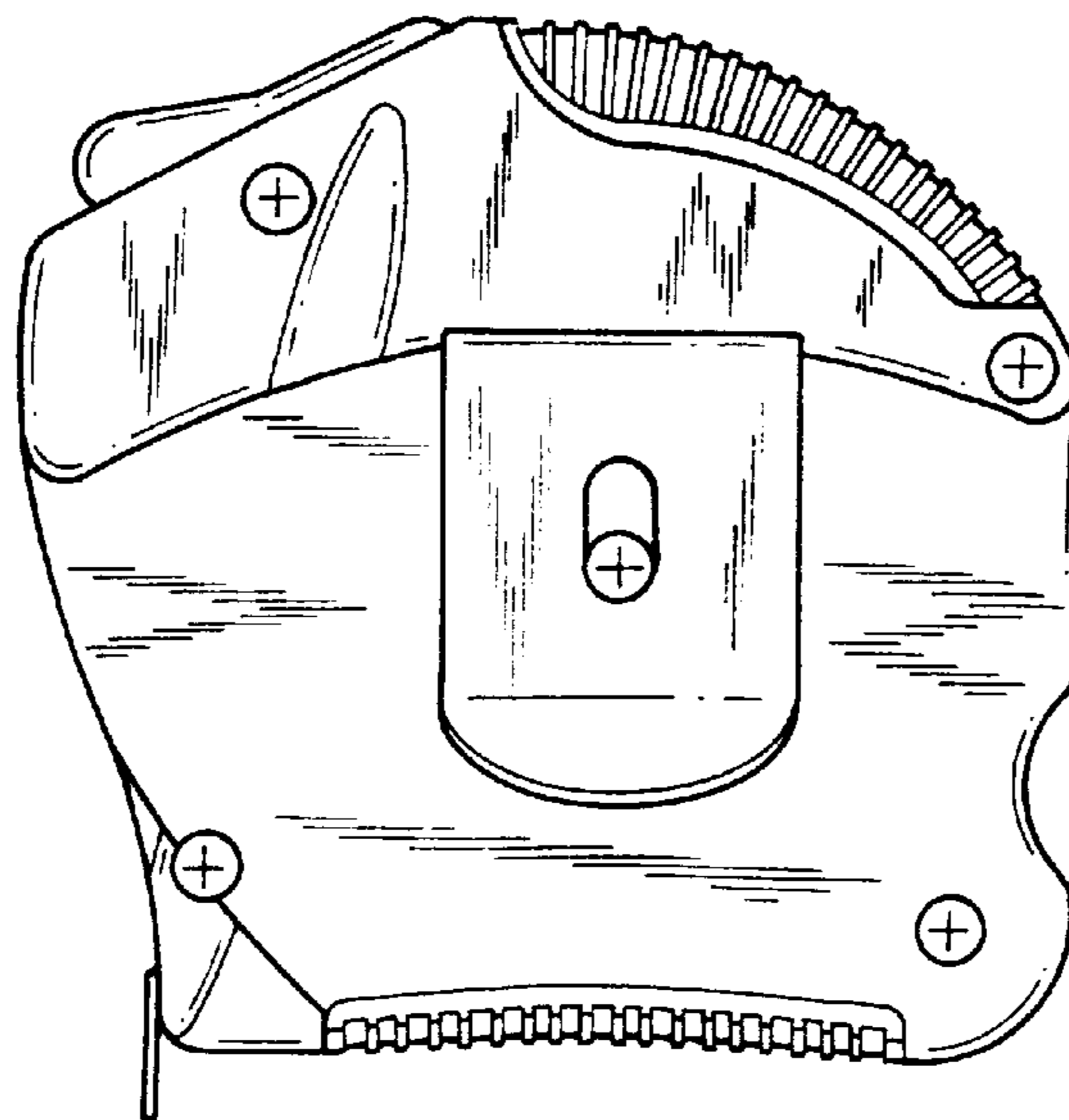


FIG. 3



FIG. 4

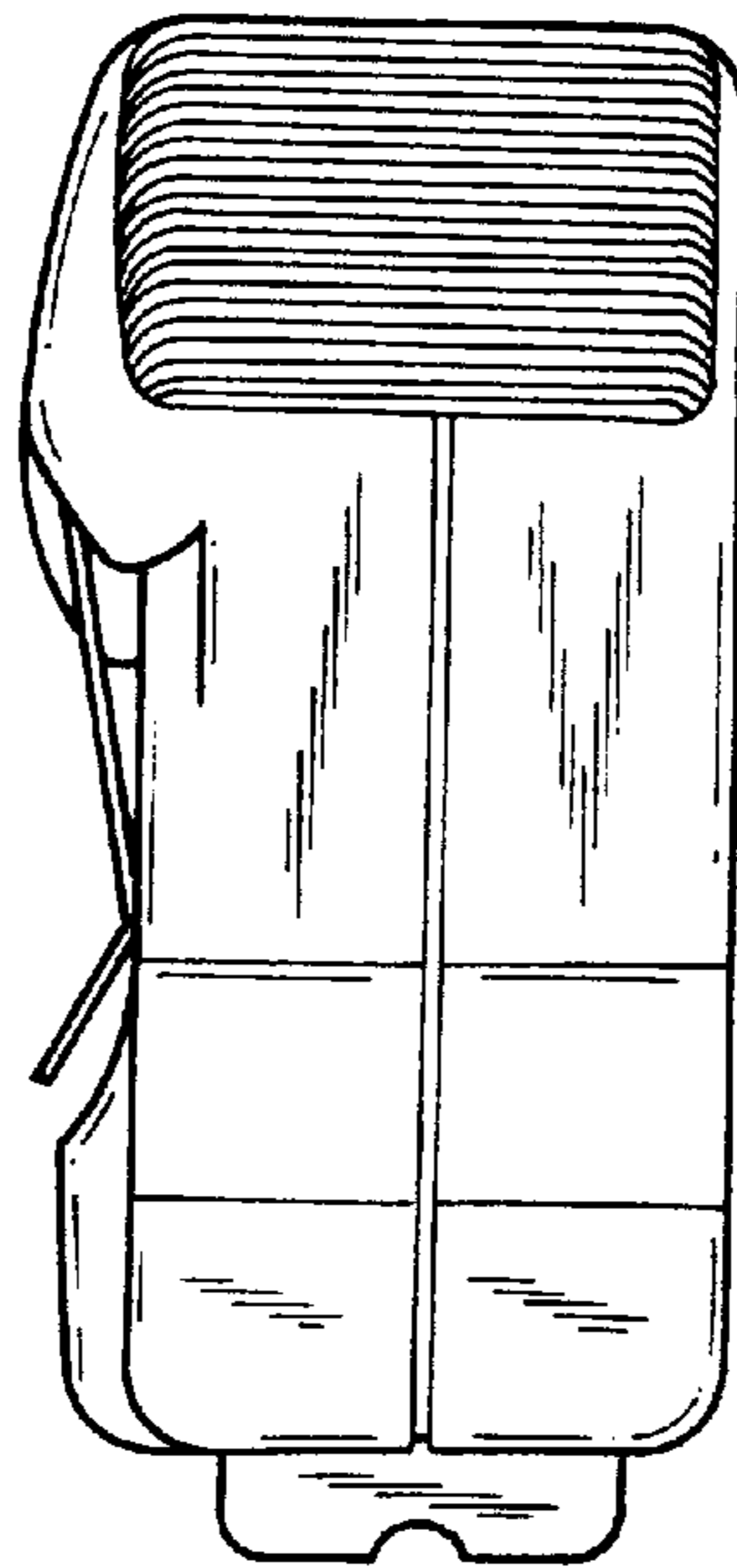


FIG. 5

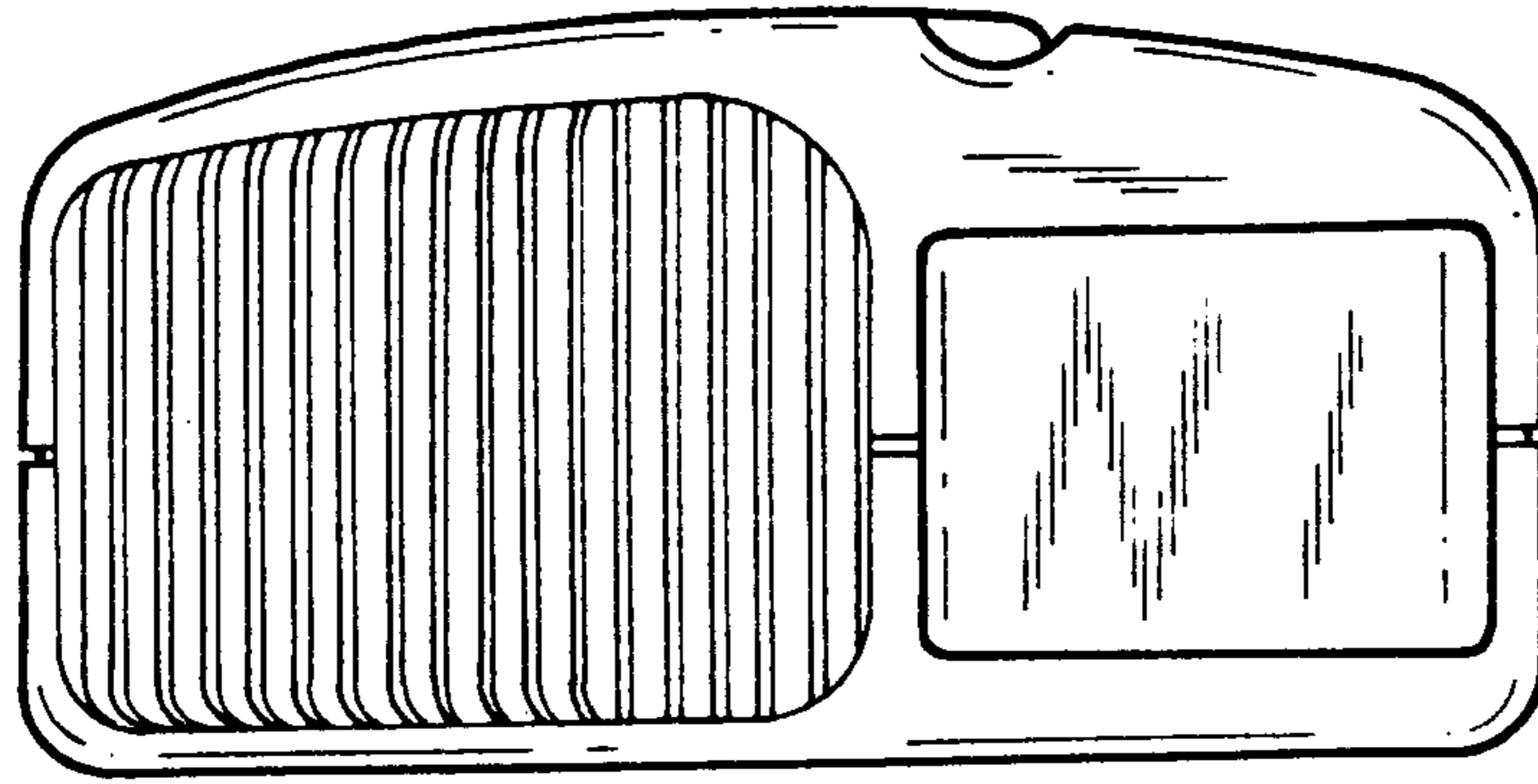


FIG. 6

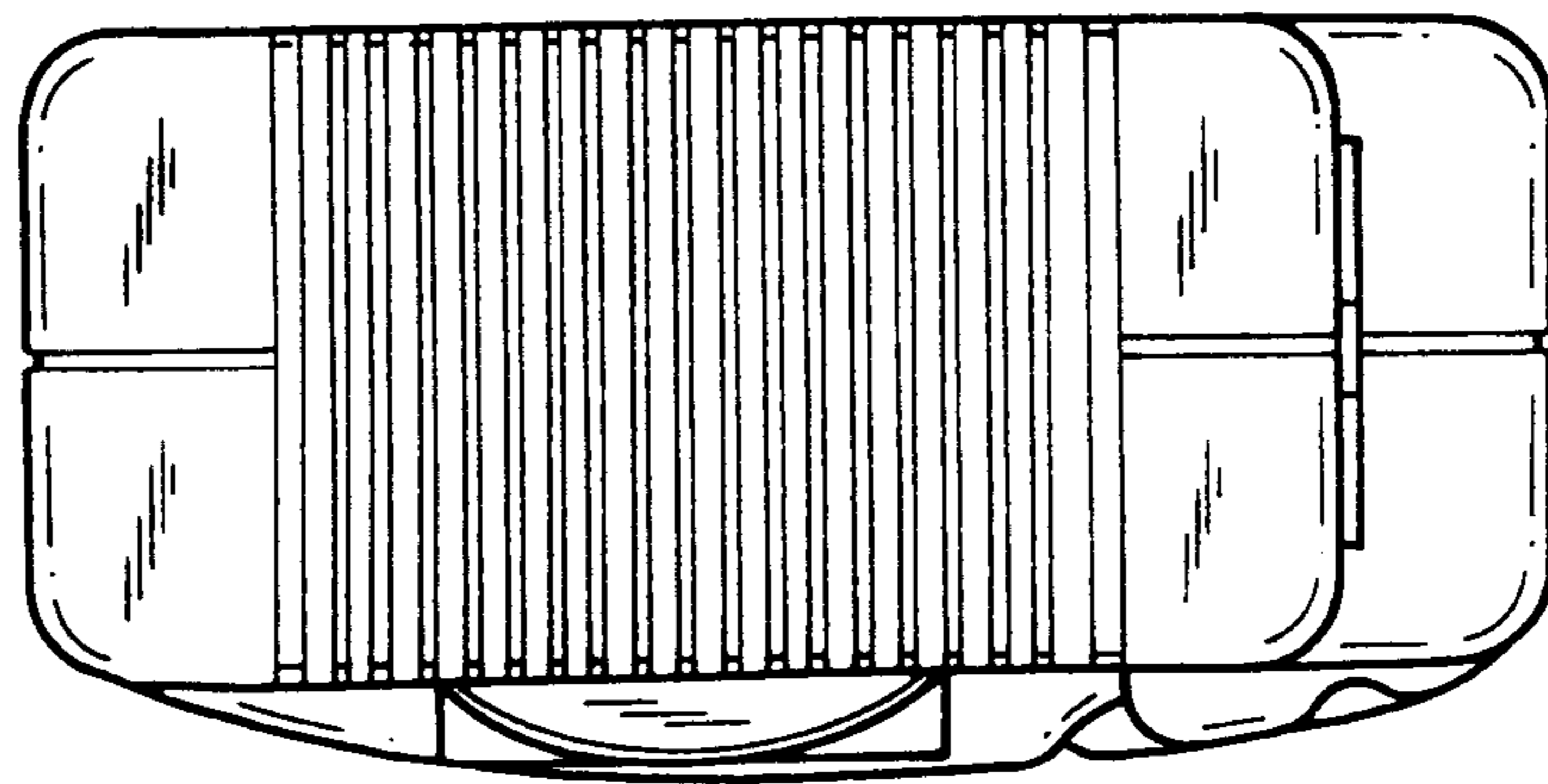


FIG. 7

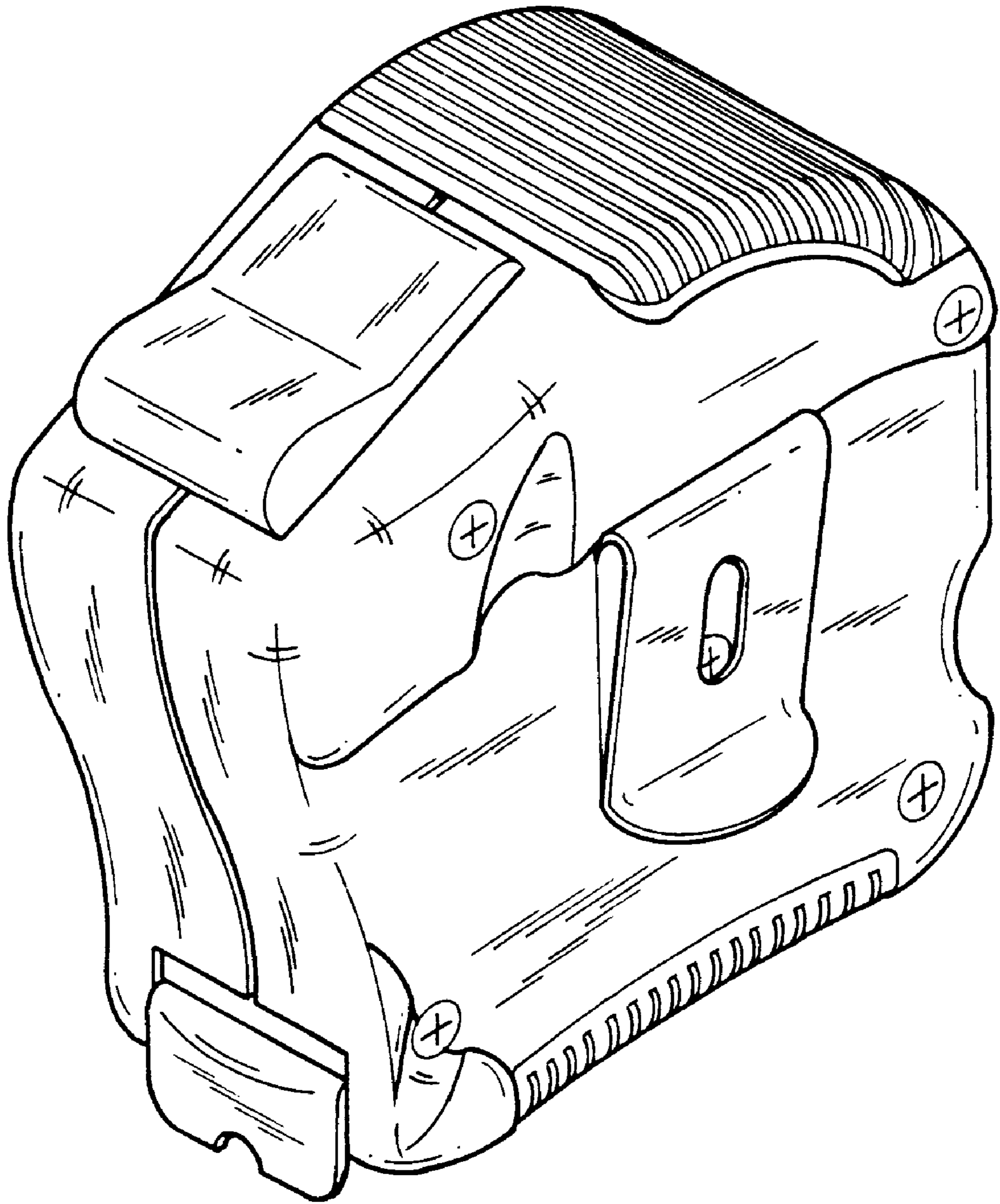


FIG. 8