



US00D415960S

United States Patent [19]

Majdanski et al.

[11] Patent Number: Des. 415,960

[45] Date of Patent: ** Nov. 2, 1999

[54] DISPLAY BOX

[76] Inventors: **Richard W. Majdanski; Barbara A. Majdanski**, both of P.O. Box 1153, Scottsdale, Ariz. 85252

[**] Term: **14 Years**

[21] Appl. No.: **29/085,174**

[22] Filed: **Mar. 17, 1998**

[51] LOC (6) Cl. **09-07**

[52] U.S. Cl. **D9/418; D9/415**

[58] Field of Search D9/415, 418, 424, D9/432, 423, 425; 206/769-773, 775-783; 220/601, 602; 229/162, 906, 938

[56] **References Cited**

U.S. PATENT DOCUMENTS

D. 66,986	4/1925	Ritter	D3/903 X
D. 227,351	6/1973	Winton	D9/418
D. 300,209	3/1989	Finsilver et al.	D9/418
D. 396,187	7/1998	Harrison	D9/418
2,290,104	7/1942	Larson	206/781 X
2,968,392	1/1961	Schwebs	229/162
3,301,143	1/1967	Palmer	229/162
5,172,806	12/1992	Mickelberg	206/782 X

OTHER PUBLICATIONS

Heirloom Catalog, p. 5, Item #910, Jan. 1970.
Packaging Cat., p. 164, Item #507, 1959.

Primary Examiner—Prabhakar Deshmukh
Attorney, Agent, or Firm—H. Gordon Shields

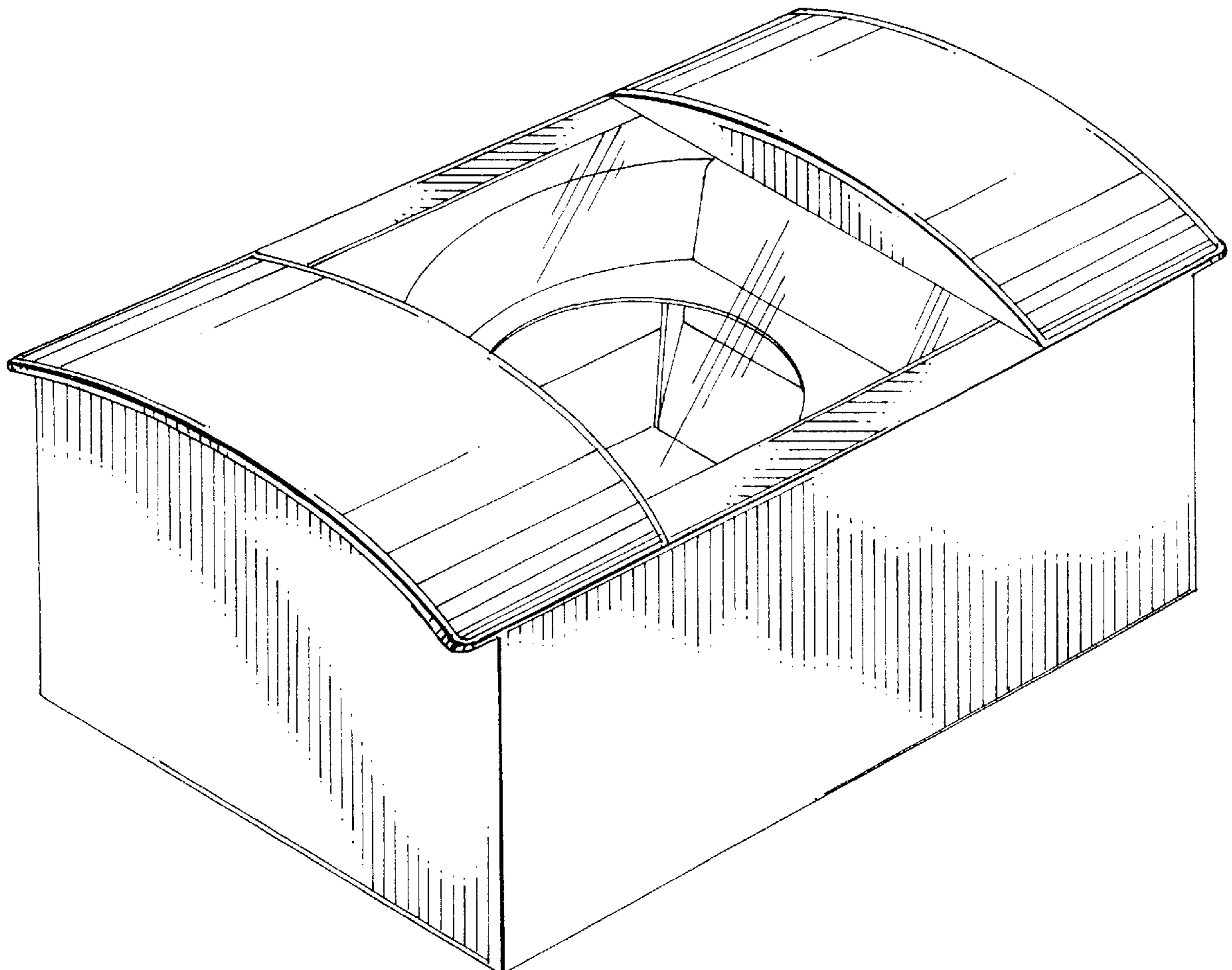
[57] **CLAIM**

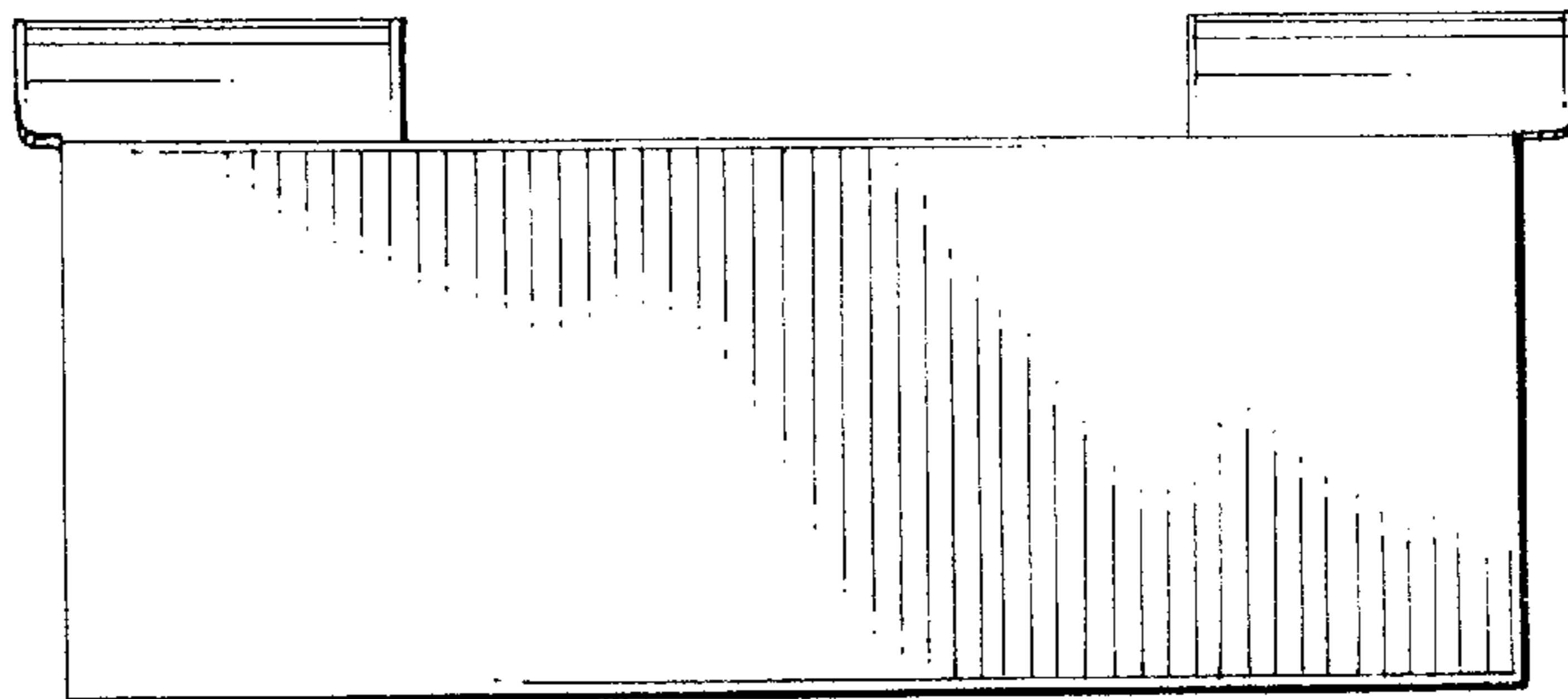
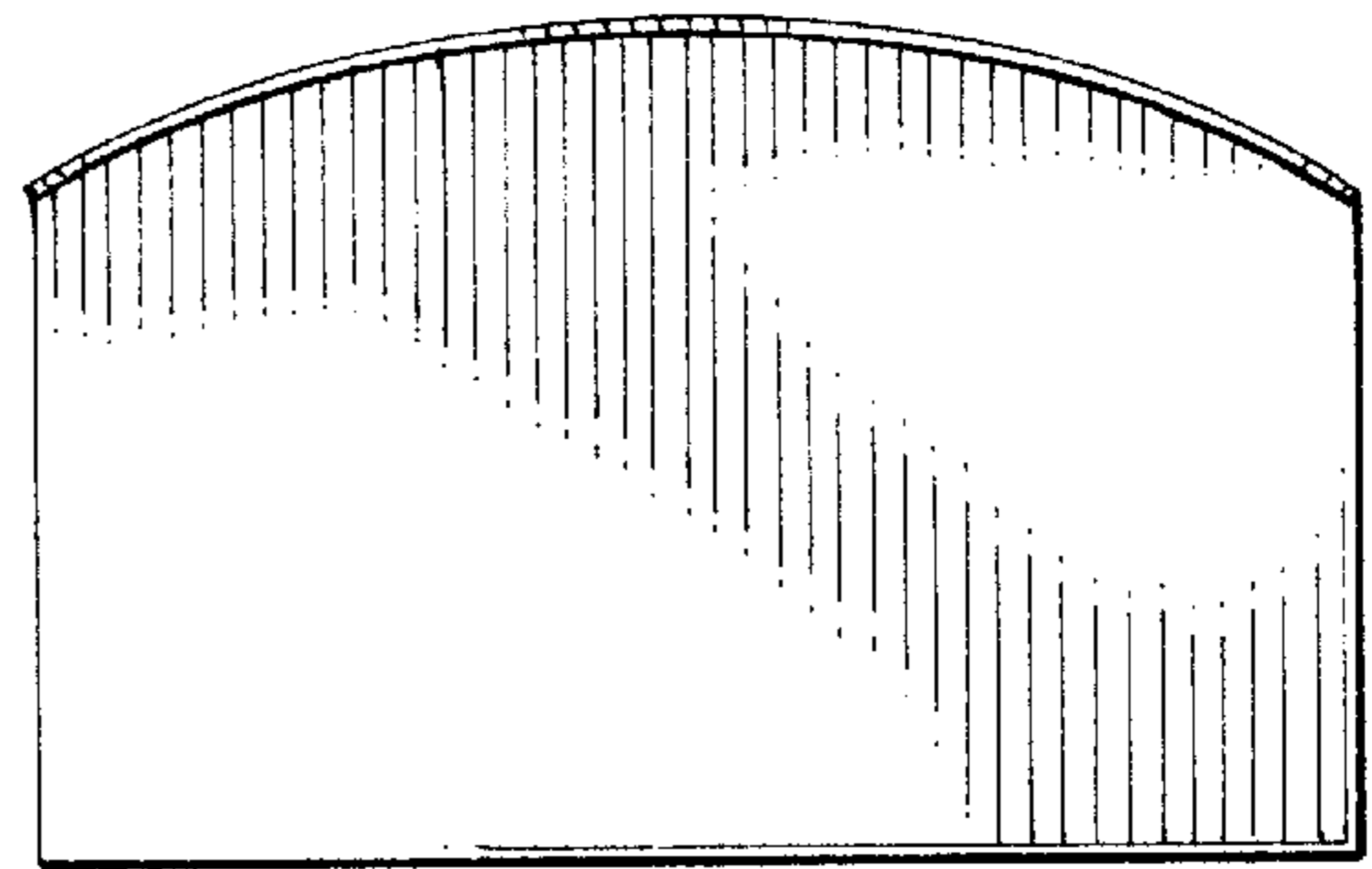
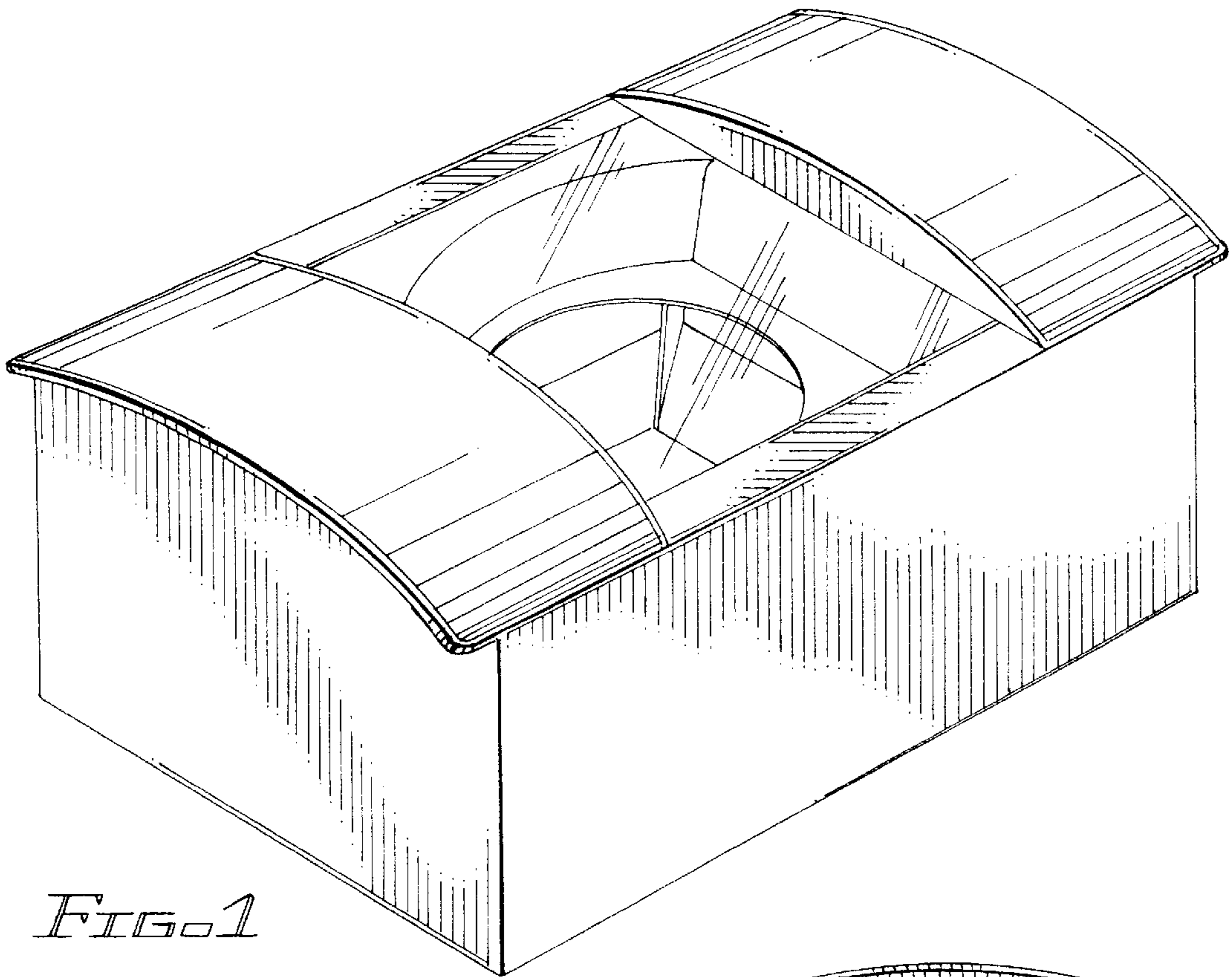
The ornamental design for display box, as shown and described.

DESCRIPTION

FIG. 1 is an upper front perspective view of a display box illustrating our new ornamental design.
FIG. 2 is a front elevational view thereof.
FIG. 3 is an end elevational view thereof.
FIG. 4 is a top plan view thereof.
FIG. 5 is a bottom plan view thereof.
FIG. 6 is a front upper left perspective view of an alternate embodiment to that illustrated in FIGS. 1-5.
FIG. 7 is a front elevational view thereof.
FIG. 8 is a right side elevational view thereof.
FIG. 9 is a top view thereof; and,
FIG. 10 is a bottom view thereof.

1 Claim, 4 Drawing Sheets





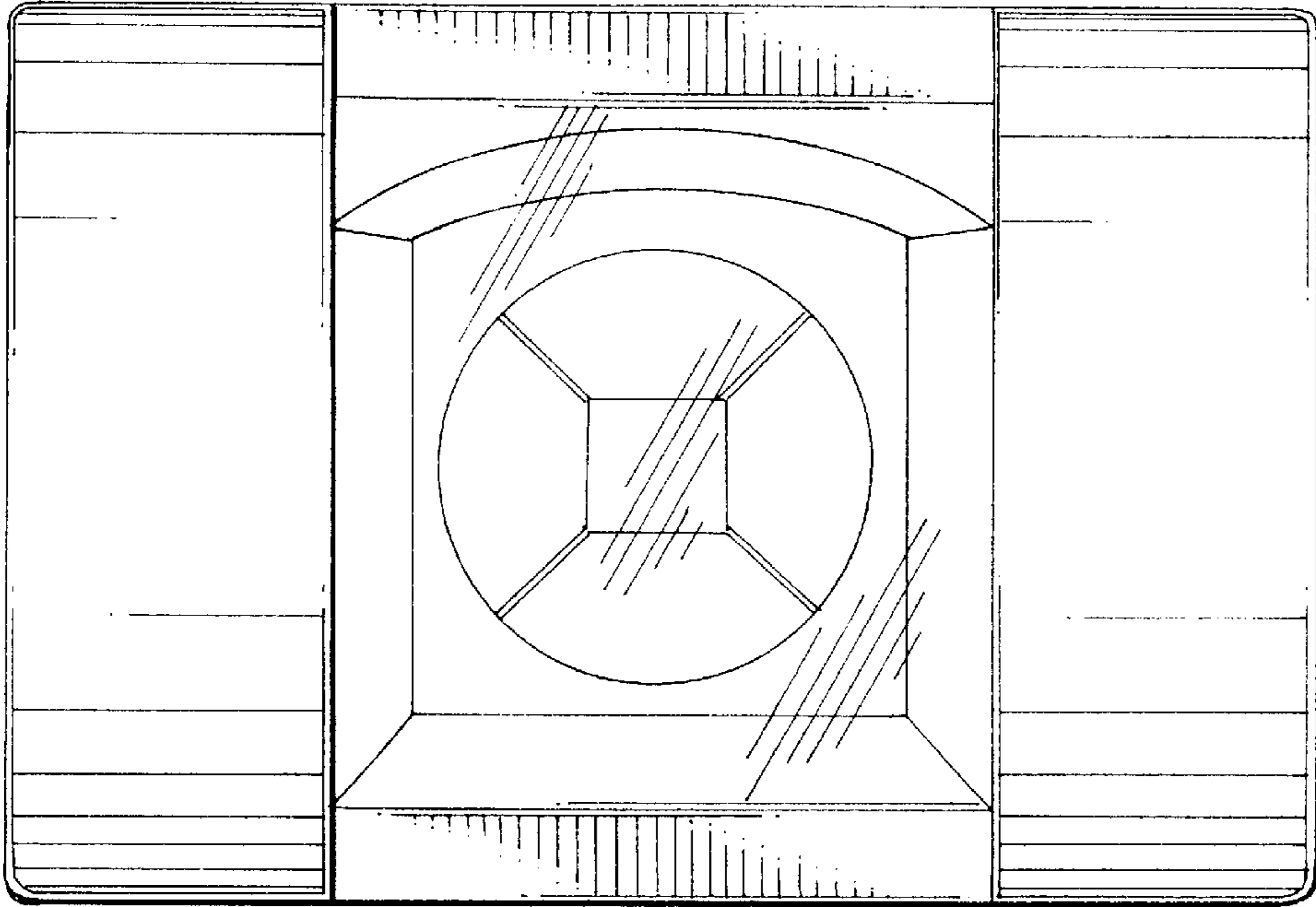


FIG. 4

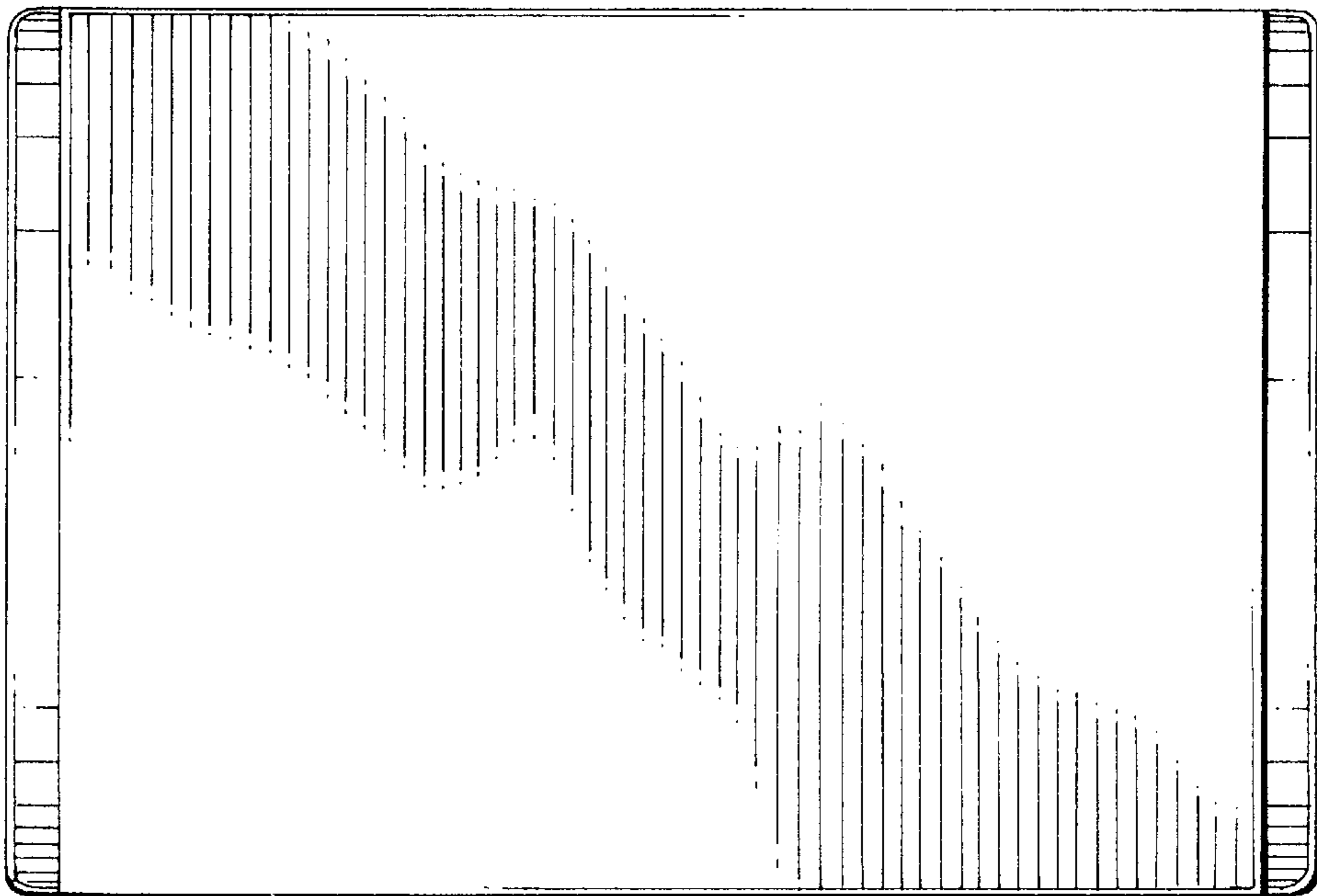


FIG. 5

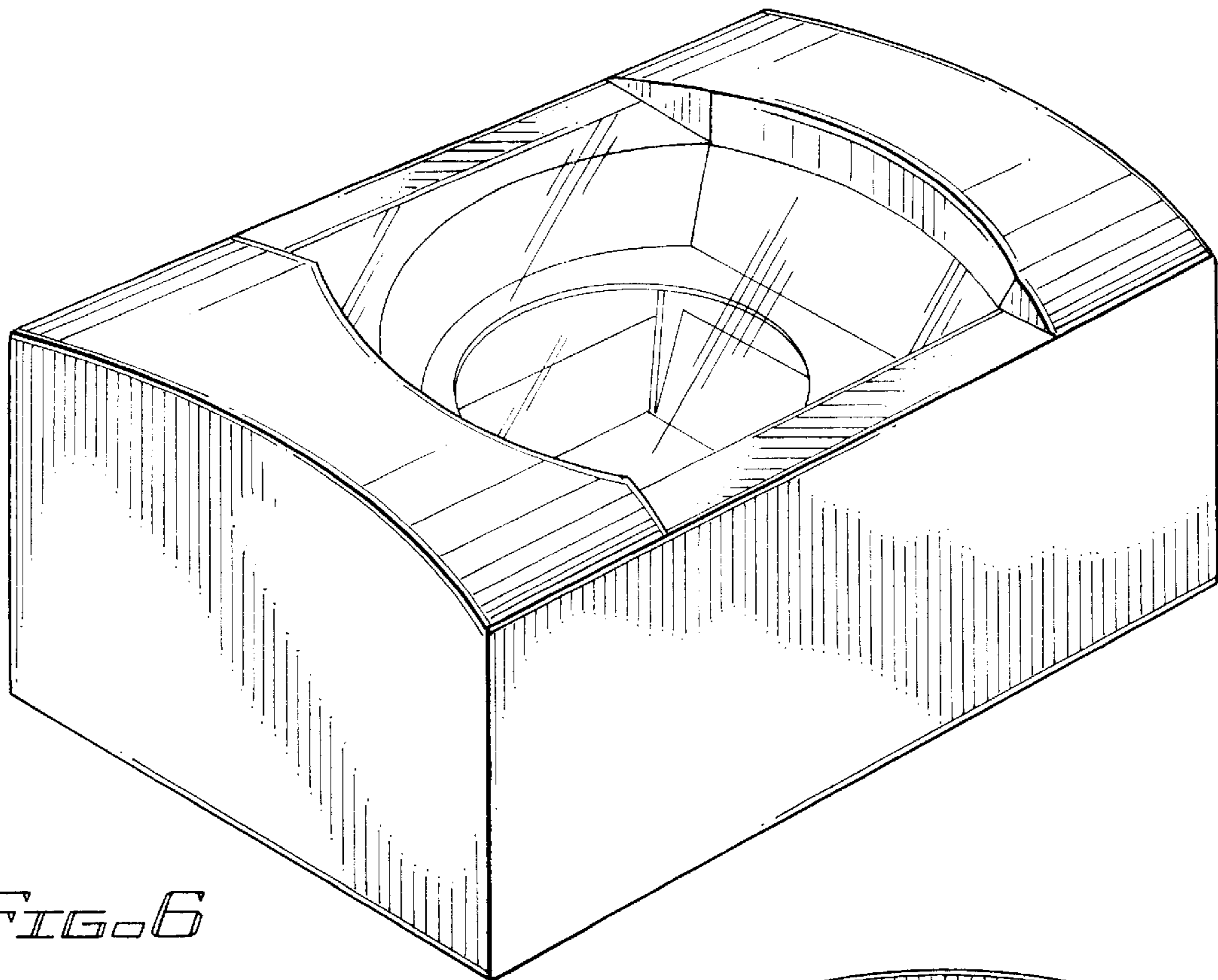


FIG. 6

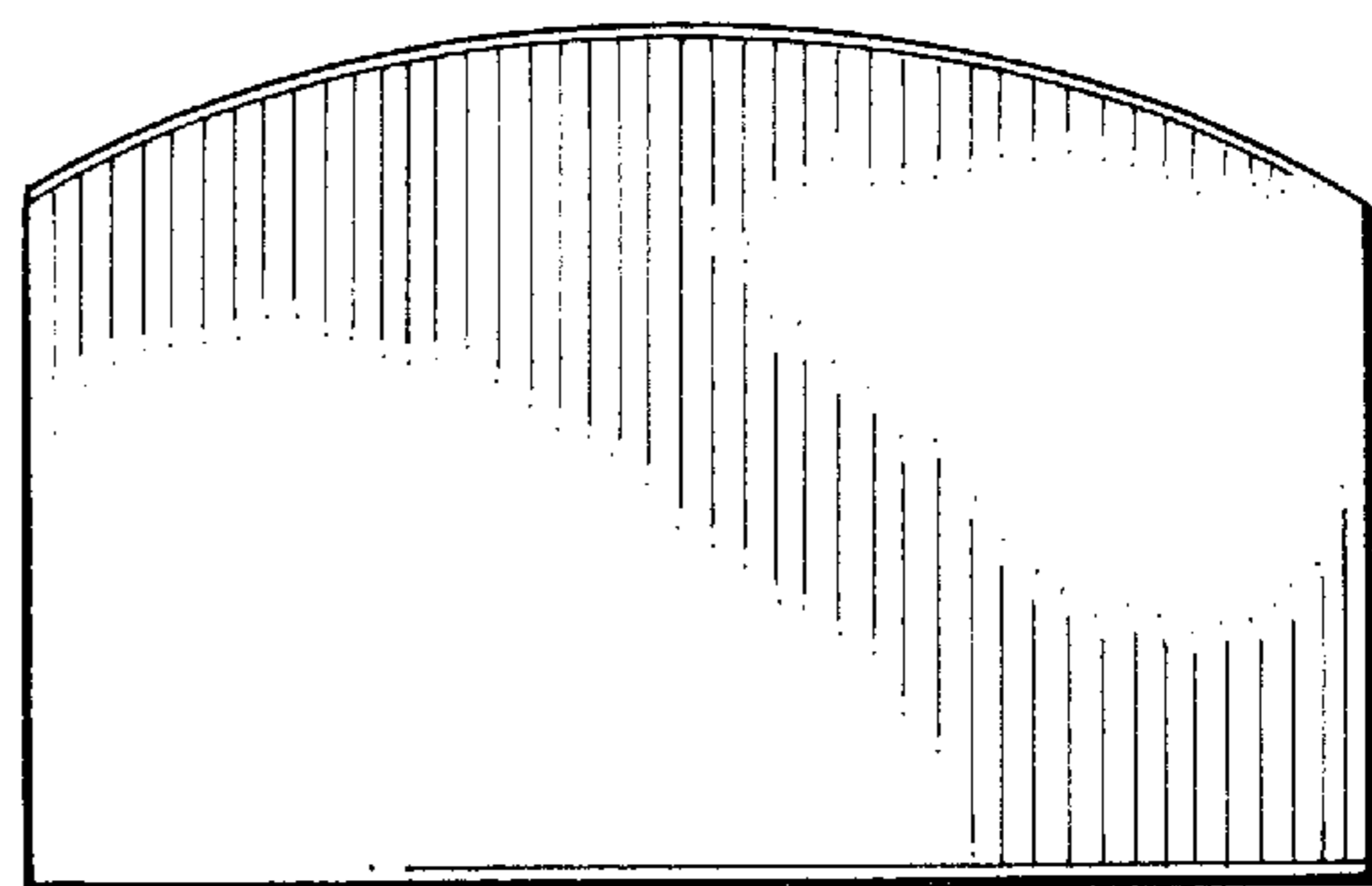


FIG. 8

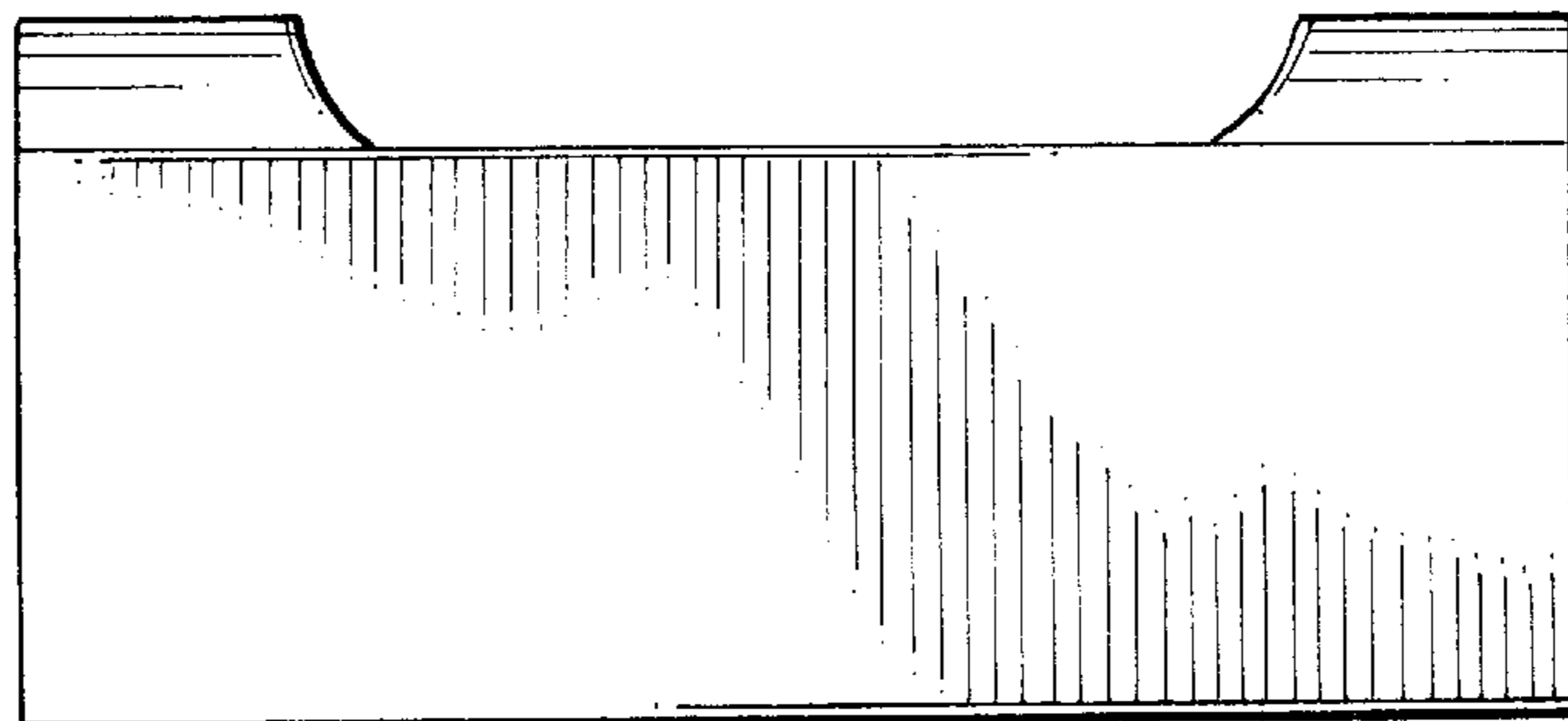


FIG. 7

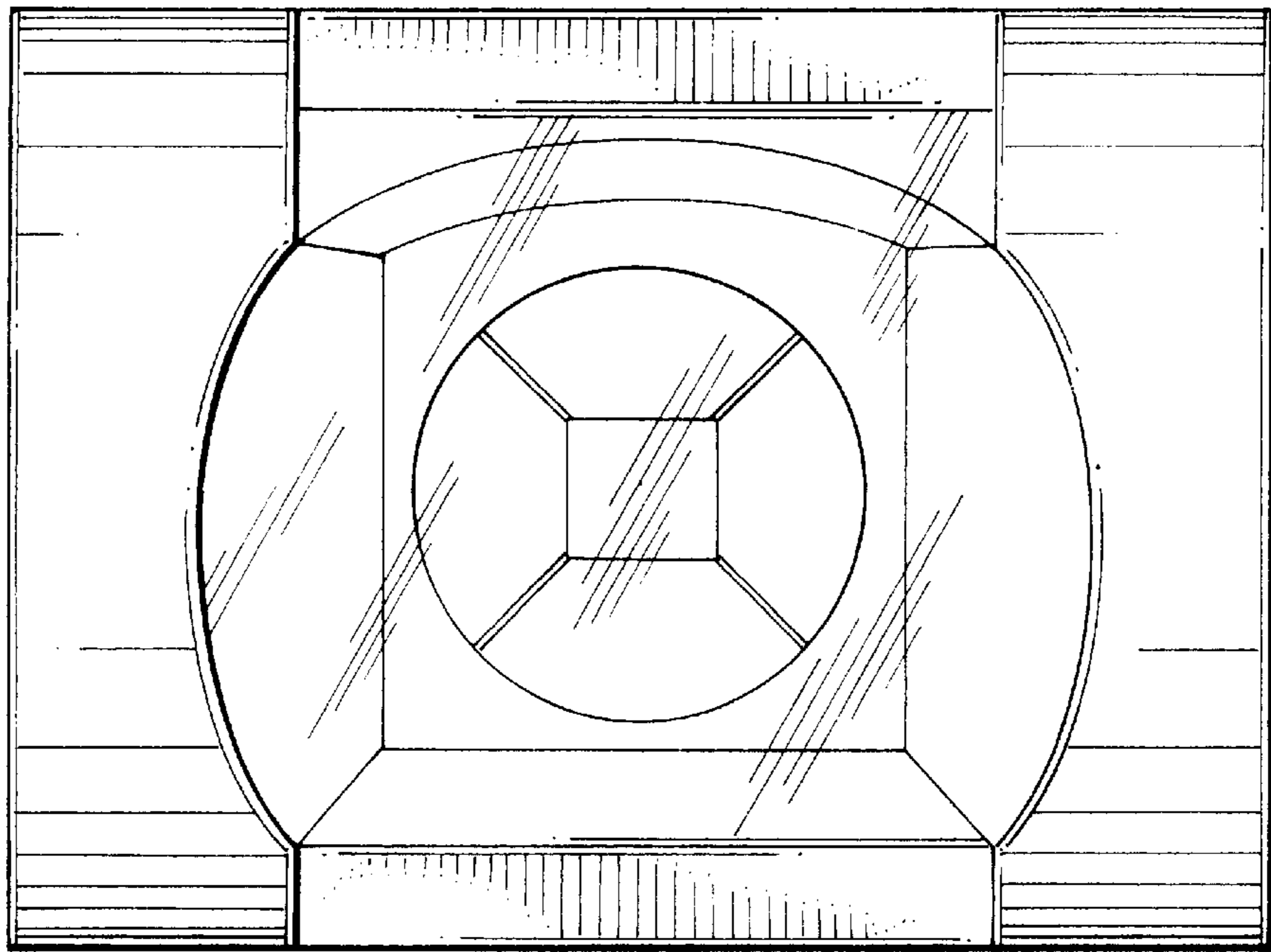


FIG. 9

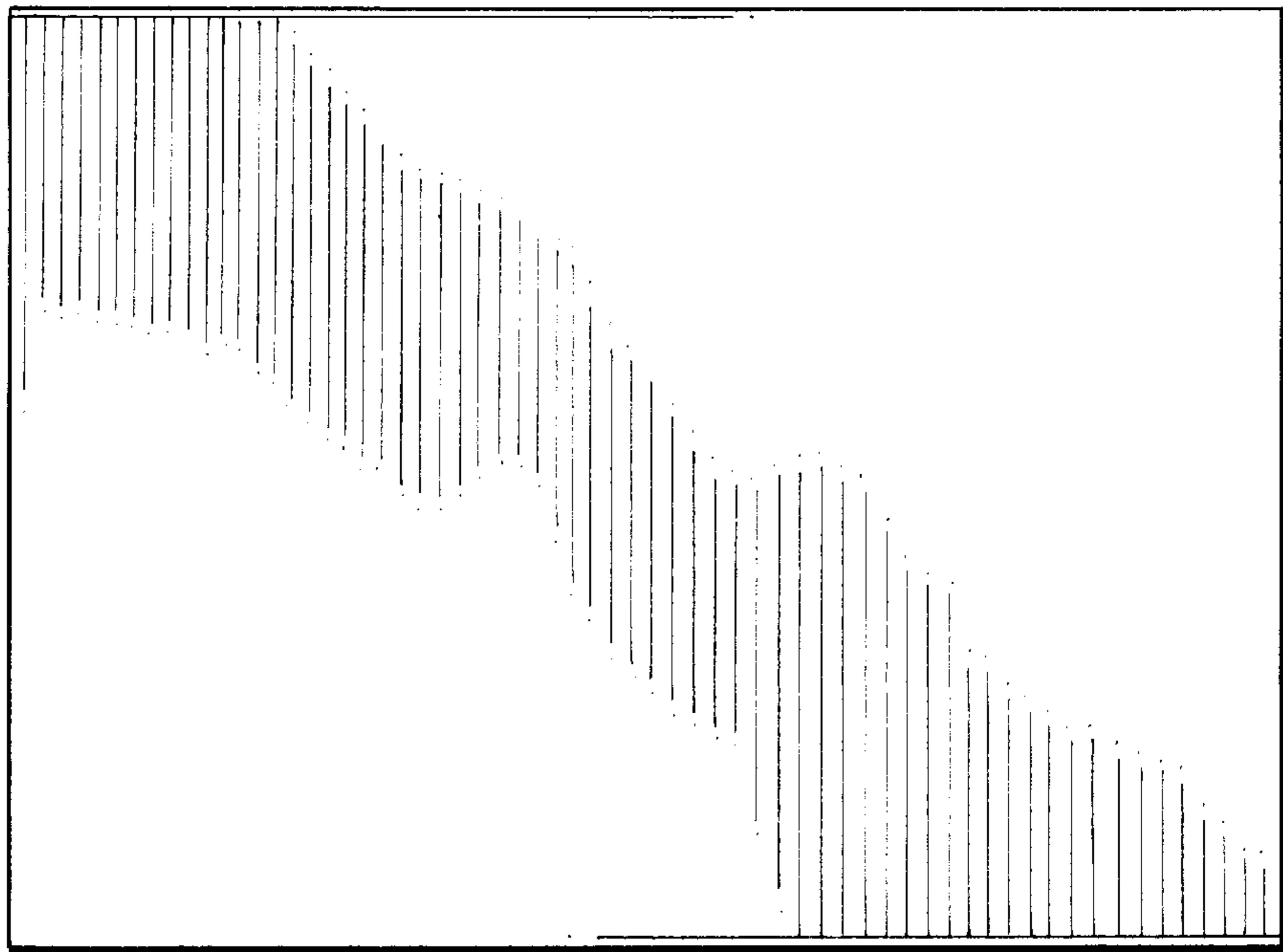


FIG. 10