



US00D415959S

United States Patent [19] Antoine

[11] Patent Number: **Des. 415,959**

[45] Date of Patent: **** Nov. 2, 1999**

[54] **INTERNAL MIXING SYSTEM**

[76] Inventor: **Eddy Antoine**, 27 Wilson Ave.,
Trumbull, Conn. 06611

[**] Term: **14 Years**

[21] Appl. No.: **29/088,947**

[22] Filed: **Jun. 4, 1998**

[51] **LOC (6) Cl.** **09-01**

[52] **U.S. Cl.** **D9/347**

[58] **Field of Search** D9/341, 347, 520;
215/6, 10, DIG. 8, 11.1, 11.4; 222/94, 203.11;
206/568, 219-221

[56] **References Cited**

U.S. PATENT DOCUMENTS

D. 178,271	7/1956	Bernard	D9/347
D. 189,632	1/1961	Ashiya	D9/347
D. 264,940	6/1982	Stock	D9/520
D. 381,900	8/1997	Hundertmark et al.	D9/347
567,199	9/1896	Rively	215/6
769,615	9/1904	Kosansvich	215/10
2,684,167	7/1954	Bruns	215/6
3,651,990	3/1972	Cernei	222/94
4,430,155	2/1984	Kozischek et al.	..	
4,483,439	11/1984	Steigerwald et al.	..	

4,893,729	1/1990	Iggulden et al.	..
5,277,303	1/1994	Goyet et al.	..
5,419,445	5/1995	Kaesmeyer	..
5,647,481	7/1997	Hundertmark et al.	..

Primary Examiner—Dominic Simone
Attorney, Agent, or Firm—Our Pal Asija

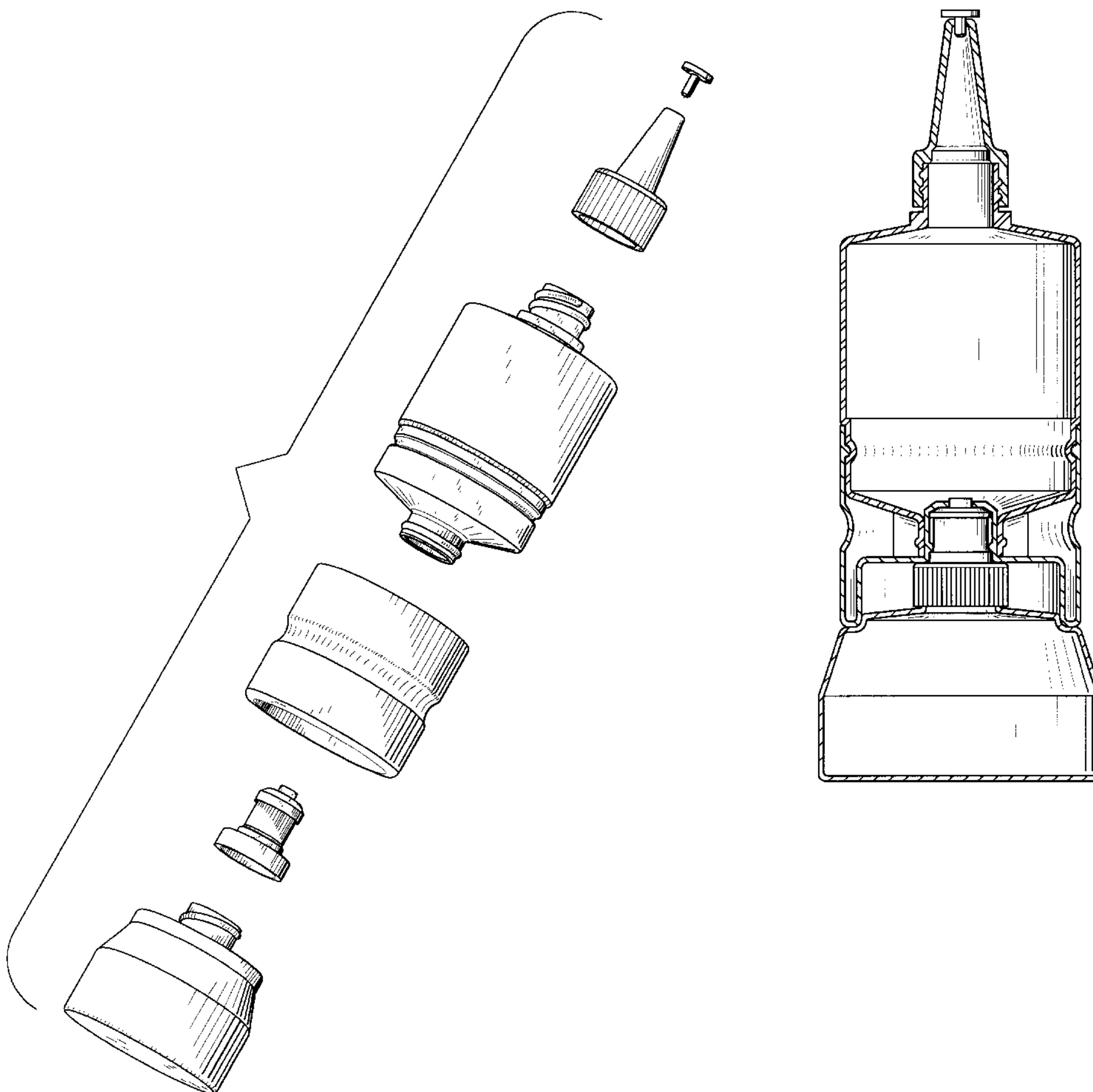
[57] **CLAIM**

I claim the ornamental design for an internal mixing system, as shown and described.

DESCRIPTION

FIG. 1 is an exploded perspective view of the internal mixing system showing my new design;
 FIG. 2 is a top plan view thereof;
 FIG. 3 is a cross-sectional view thereof, in an assembled condition;
 FIG. 4 is a cross-sectional view of the center piece, show separately for clarity of disclosure;
 FIG. 5 is a front elevational view of FIG. 4, the rear being identical;
 FIG. 6 is a side elevational view of FIG. 4, the opposite side being identical;
 FIG. 7 is a top elevational view of FIG. 4; and,
 FIG. 8 is a bottom plan view of FIG. 4.

1 Claim, 3 Drawing Sheets



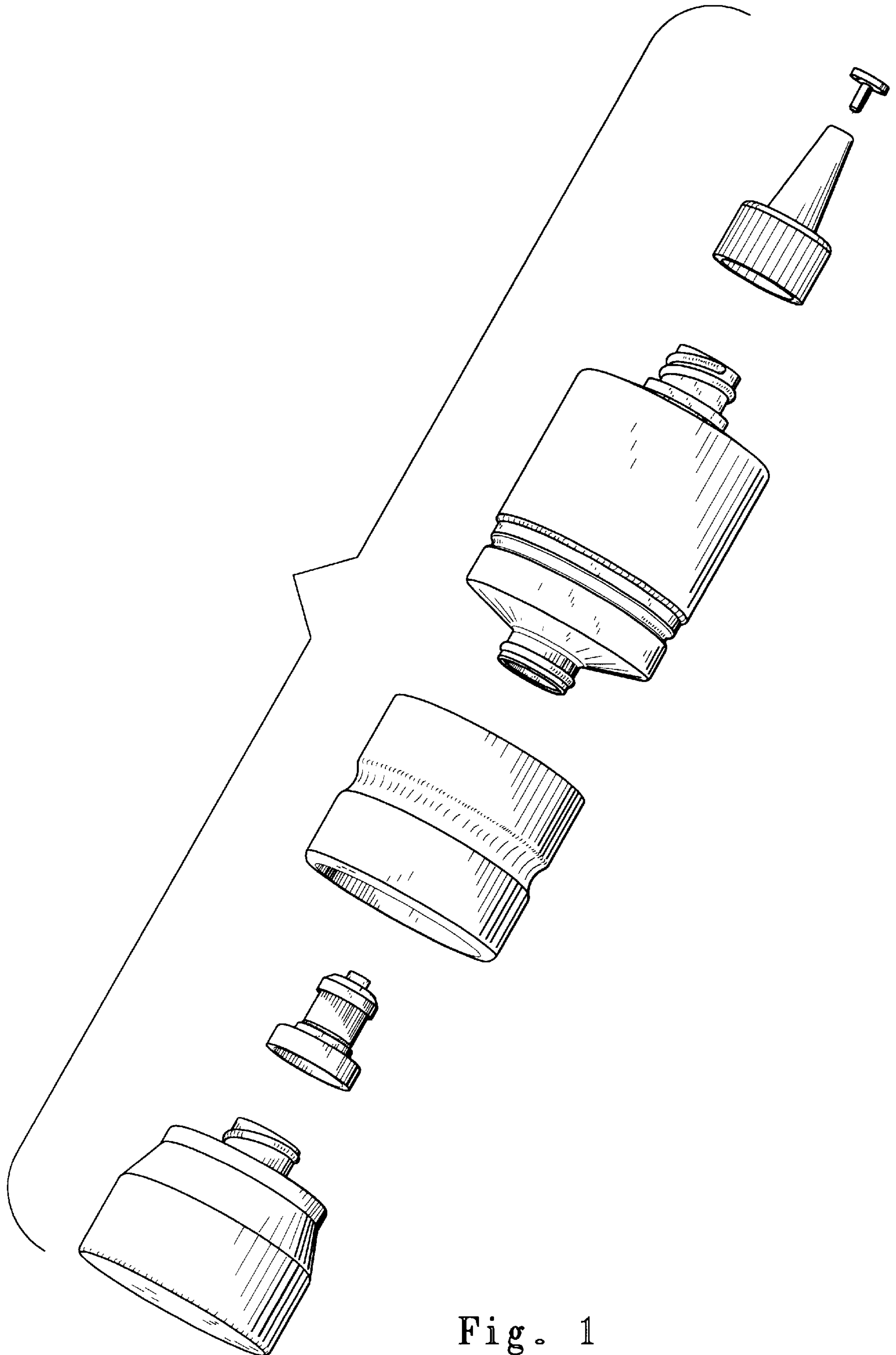


Fig. 1

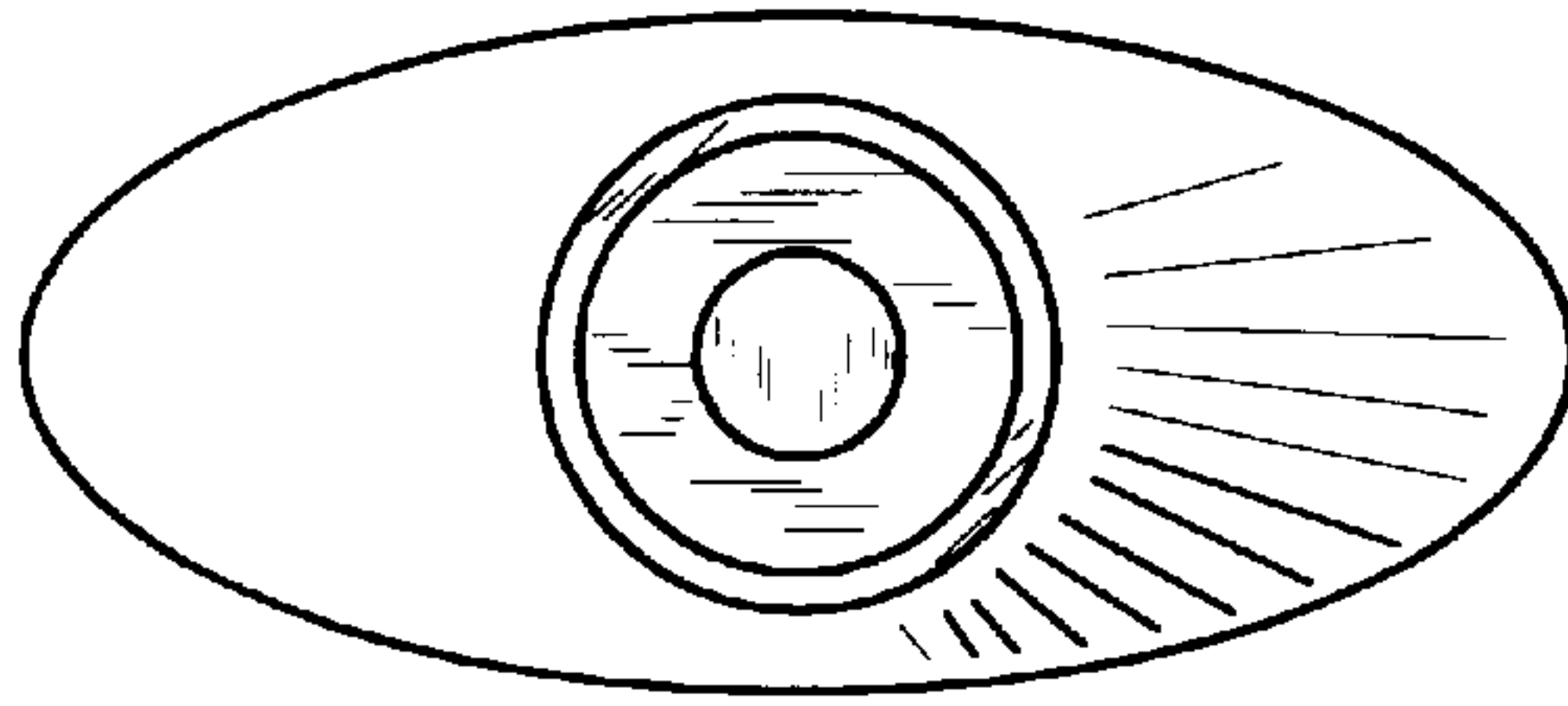


Fig. 2

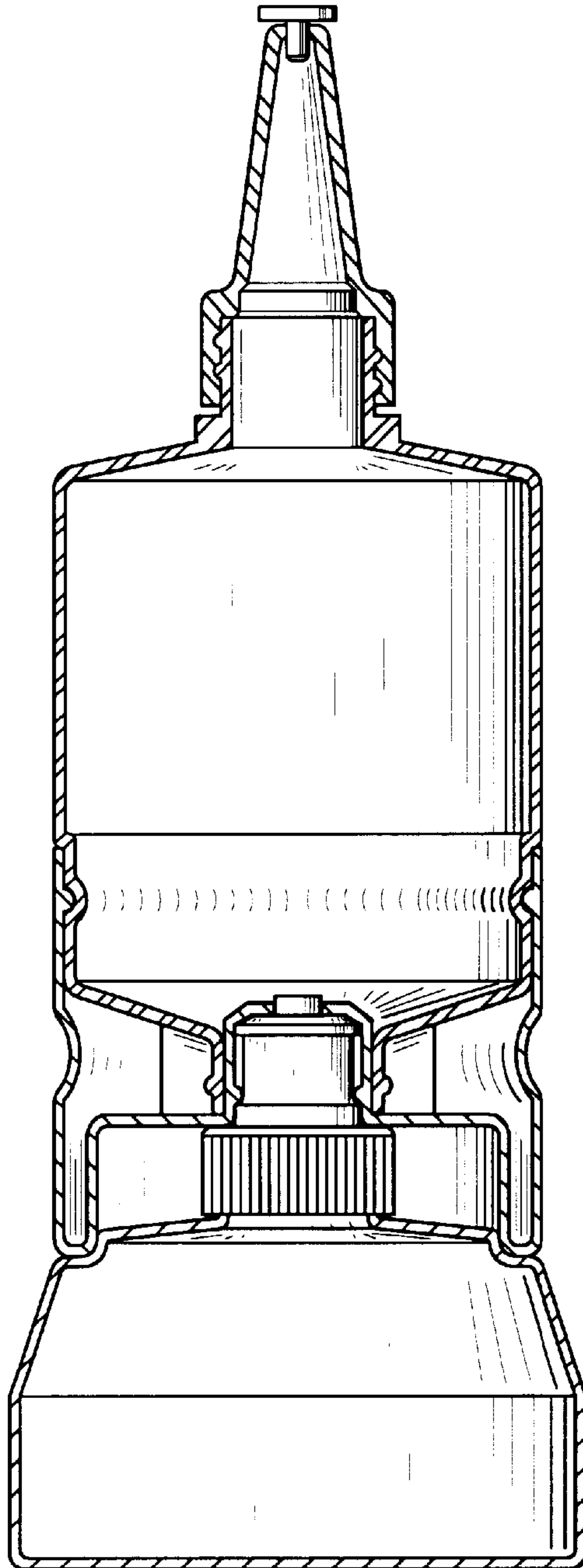


Fig. 3

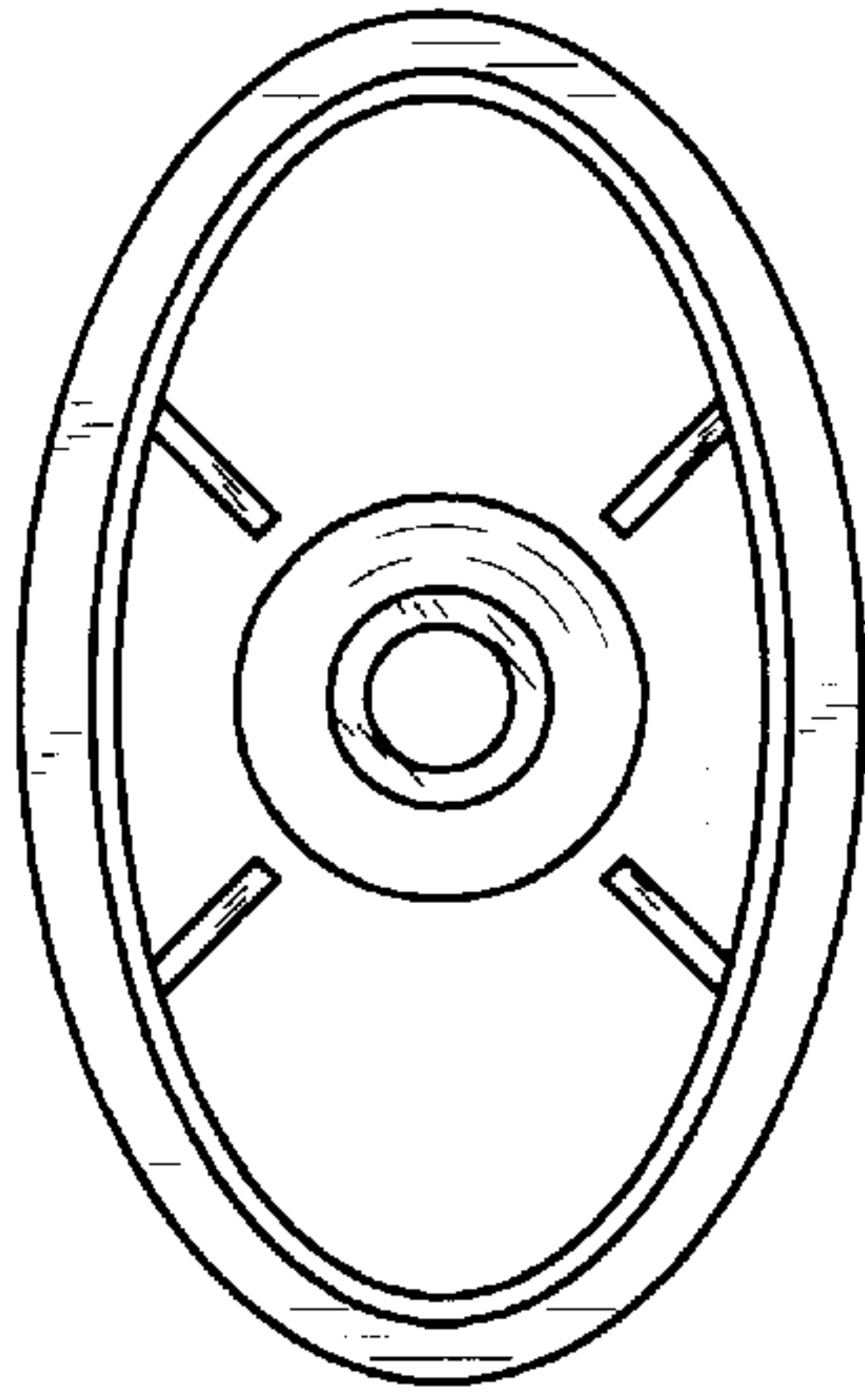


Fig. 7

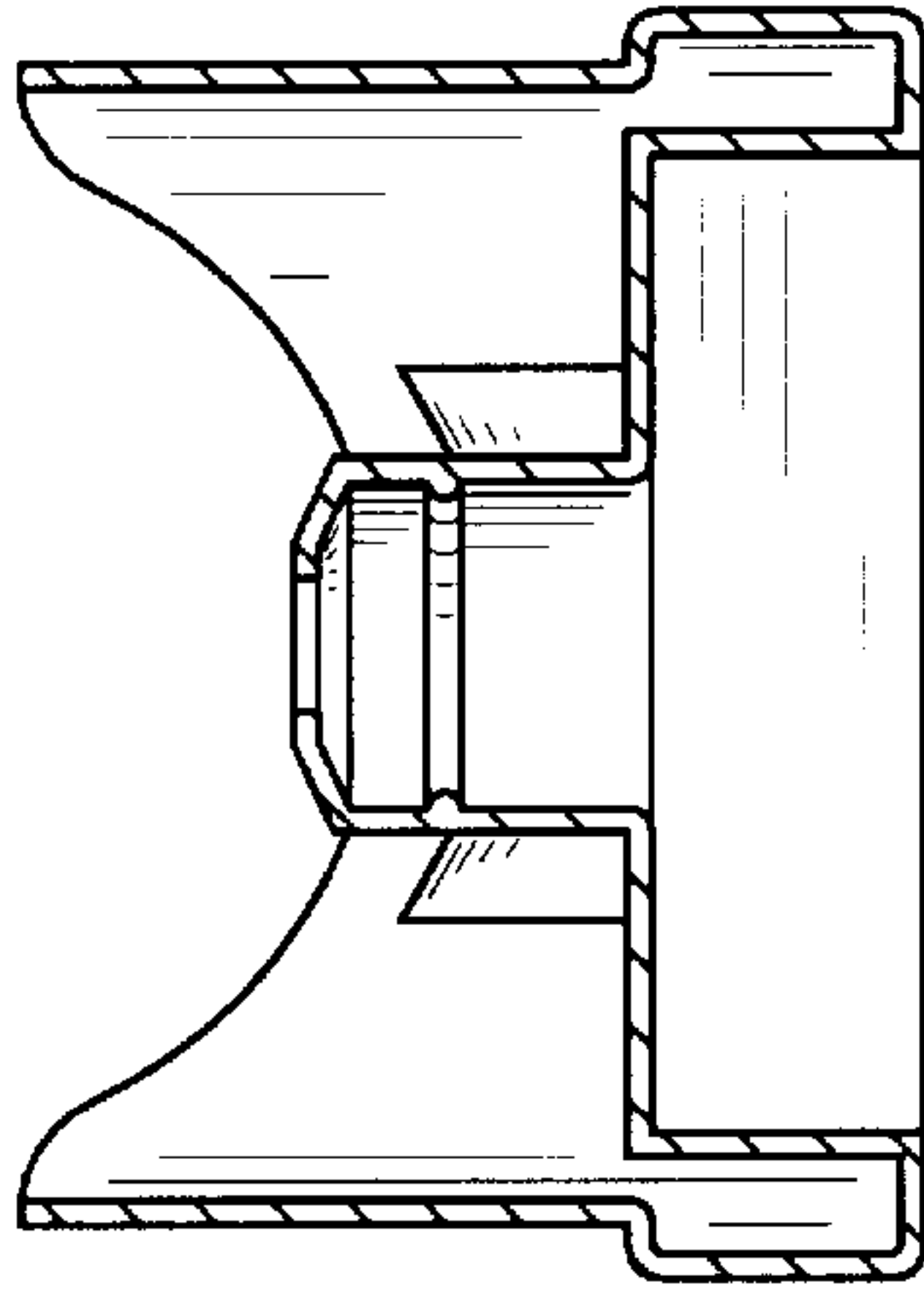


Fig. 4

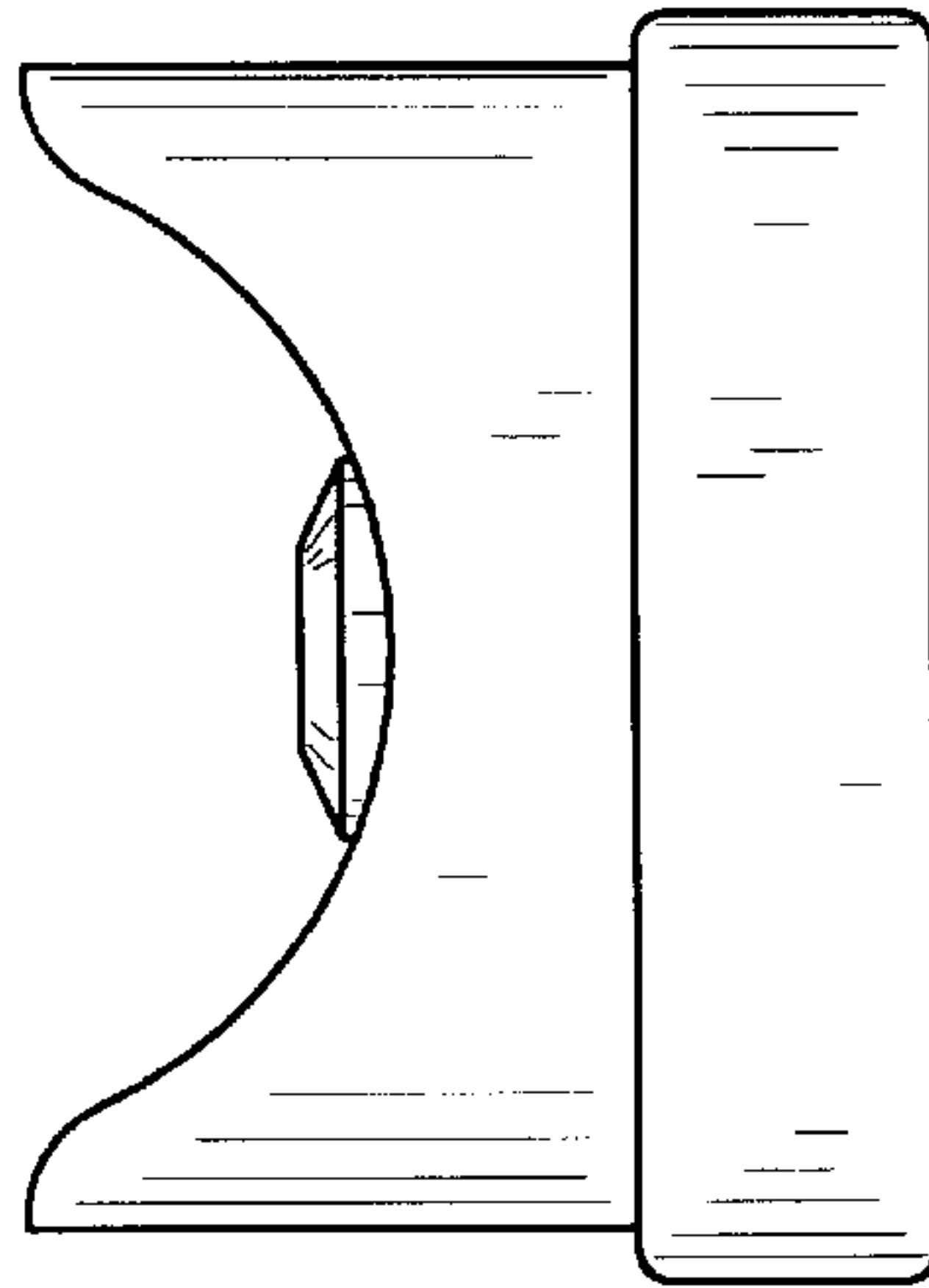


Fig. 5

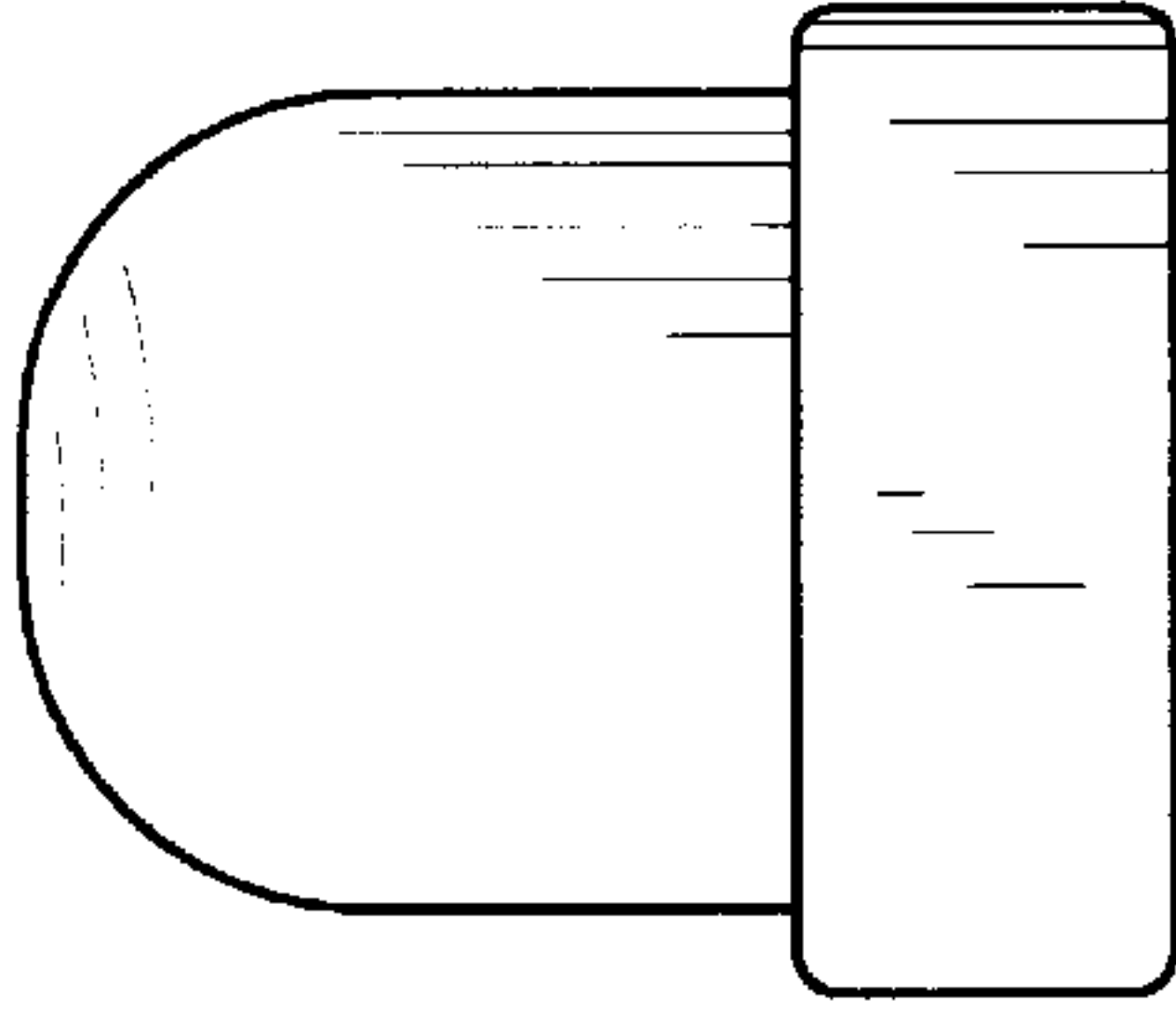


Fig. 6

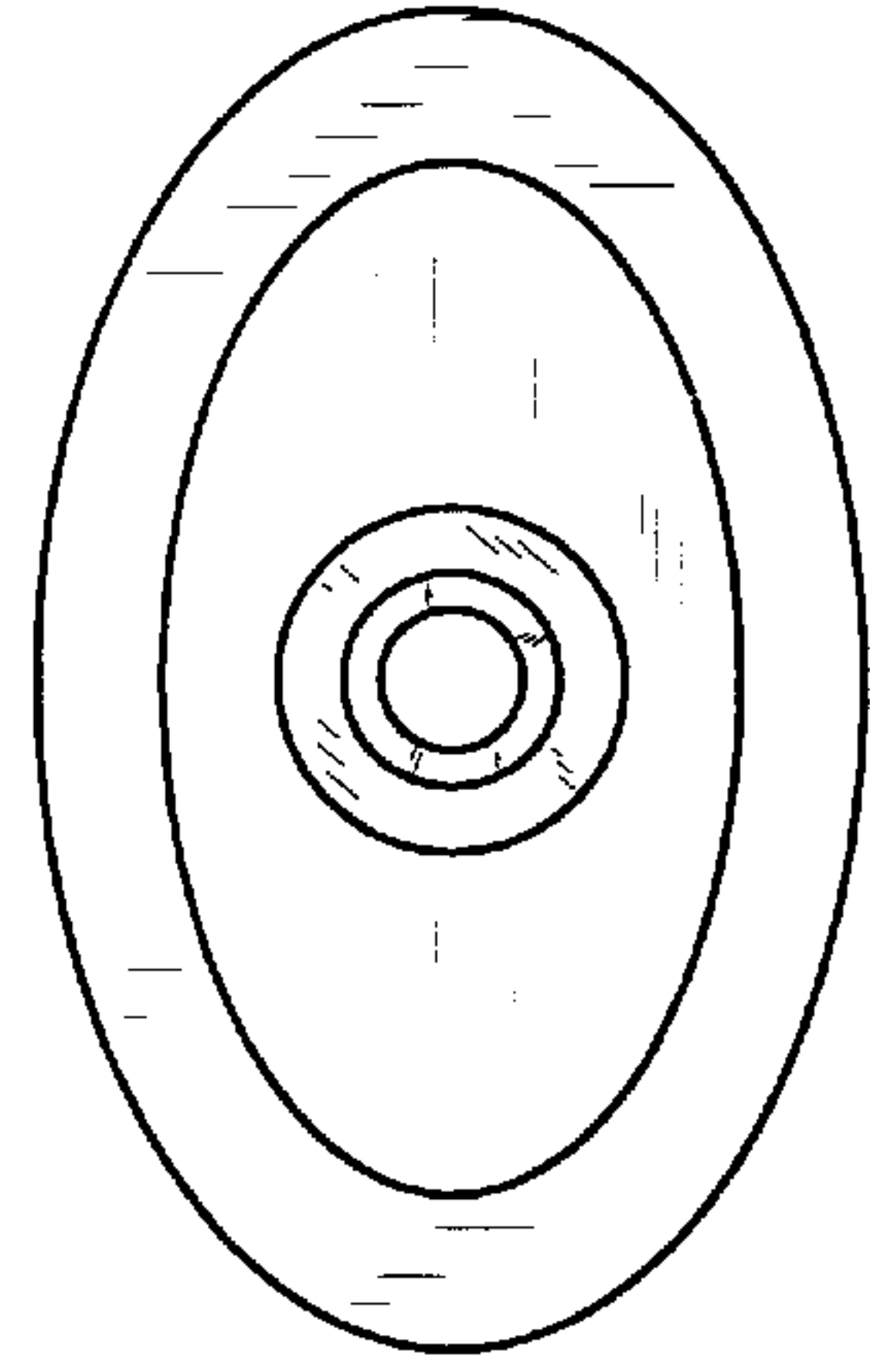


Fig. 8