



US00D415958S

United States Patent [19] Noble

[11] Patent Number: **Des. 415,958**

[45] Date of Patent: **** Nov. 2, 1999**

[54] **PILL CONTAINER AND ORGANIZER**

[75] Inventor: **Terrance O. Noble**, Burnsville, Minn.

[73] Assignee: **Apothecary Products, Inc.**, Burnsville, Minn.

[**] Term: **14 Years**

[21] Appl. No.: **29/096,814**

[22] Filed: **Nov. 20, 1998**

[51] **LOC (6) Cl.** **09-03**

[52] **U.S. Cl.** **D9/341; D3/203**

[58] **Field of Search** **D3/201, 203; D9/339, D9/341; D28/73, 76, 99; D24/226; 206/531, 538, 539**

D. 349,850	8/1994	Leman	D9/341
3,397,770	8/1968	Howard et al.	206/539
3,537,422	11/1970	Moe	D9/341
3,807,551	4/1974	Ankney	206/539
4,208,983	6/1980	Buckley	116/205
4,372,445	2/1983	Keffeler	206/532
4,693,371	9/1987	Malpass	206/538
4,735,318	4/1988	Keffeler	206/532
4,741,441	5/1988	Keffeler	206/532
4,847,050	7/1989	Jenkins et al.	422/102
5,011,018	4/1991	Keffeler	206/532

Primary Examiner—Celia Murphy
Attorney, Agent, or Firm—Merchant & Gould P.C.

[57] **CLAIM**

The ornamental design for pill container and organizer, as shown and described.

DESCRIPTION

FIG. 1 is a perspective view of a pill container and organizer as viewed from the front, top and side thereof; FIG. 2 is an elevational view of one end of the pill container and organizer, the opposite end being identical; FIG. 3 is an elevational view of one side of the pill container and organizer, the opposite side being identical; FIG. 4 is a top plan view of the pill container and organizer; and, FIG. 5 is a bottom plan view of the pill container and organizer.

1 Claim, 4 Drawing Sheets

[56] **References Cited**

U.S. PATENT DOCUMENTS

D. 253,933	1/1980	Bridges	D9/341
D. 271,081	10/1983	Noble	D9/341
D. 275,833	10/1984	Malpass	D9/341
D. 281,145	10/1985	Moe	D9/341
D. 281,225	11/1985	Leman	D9/341
D. 298,803	12/1988	Ebling	D9/339
D. 304,905	12/1989	Zimmerman	D9/341
D. 312,394	11/1990	Hassey	D9/341
D. 321,648	11/1991	Ricci	D9/341
D. 324,819	3/1992	Eisenberg	D9/339
D. 343,118	1/1994	Melnik	D9/341

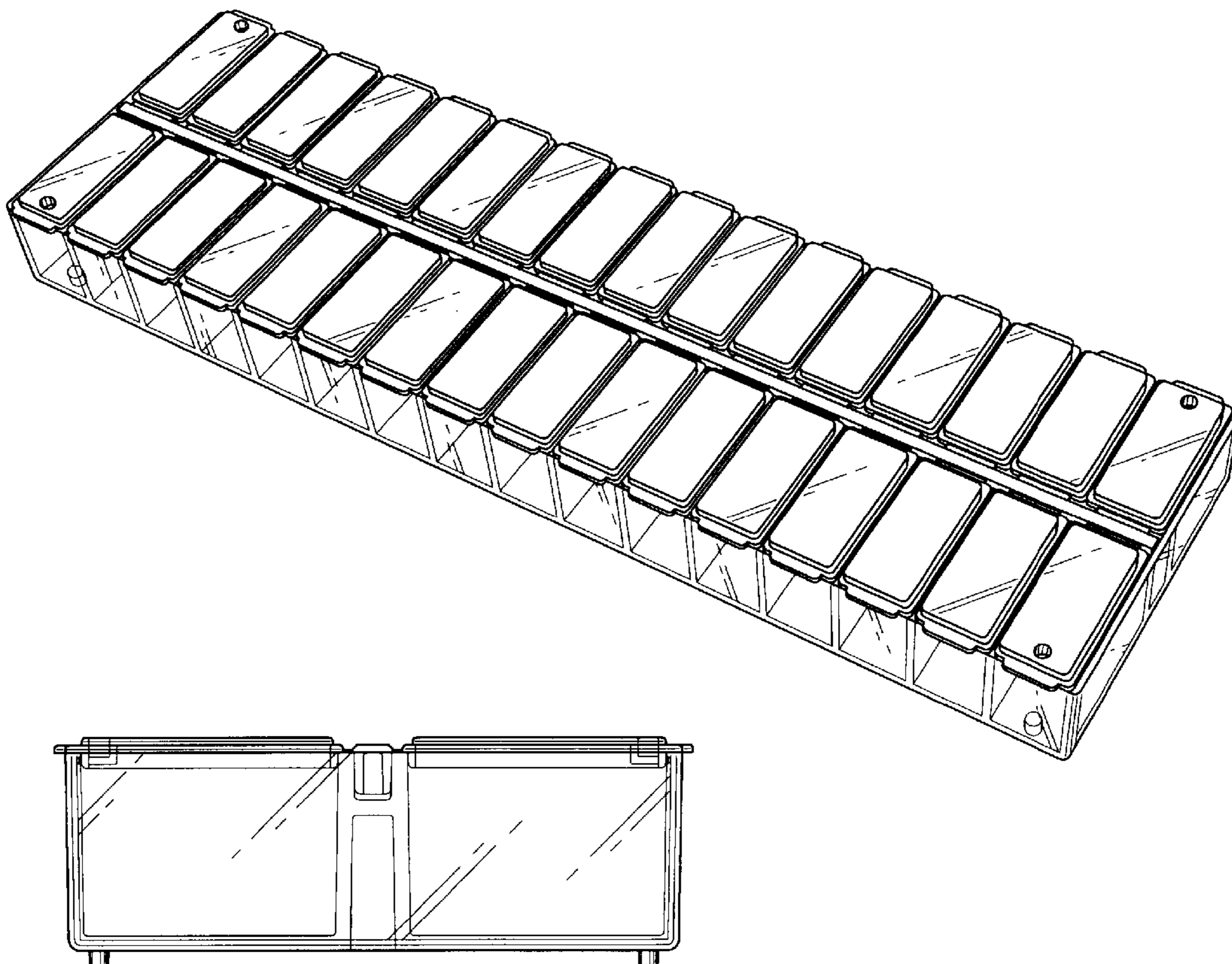


FIG. 2

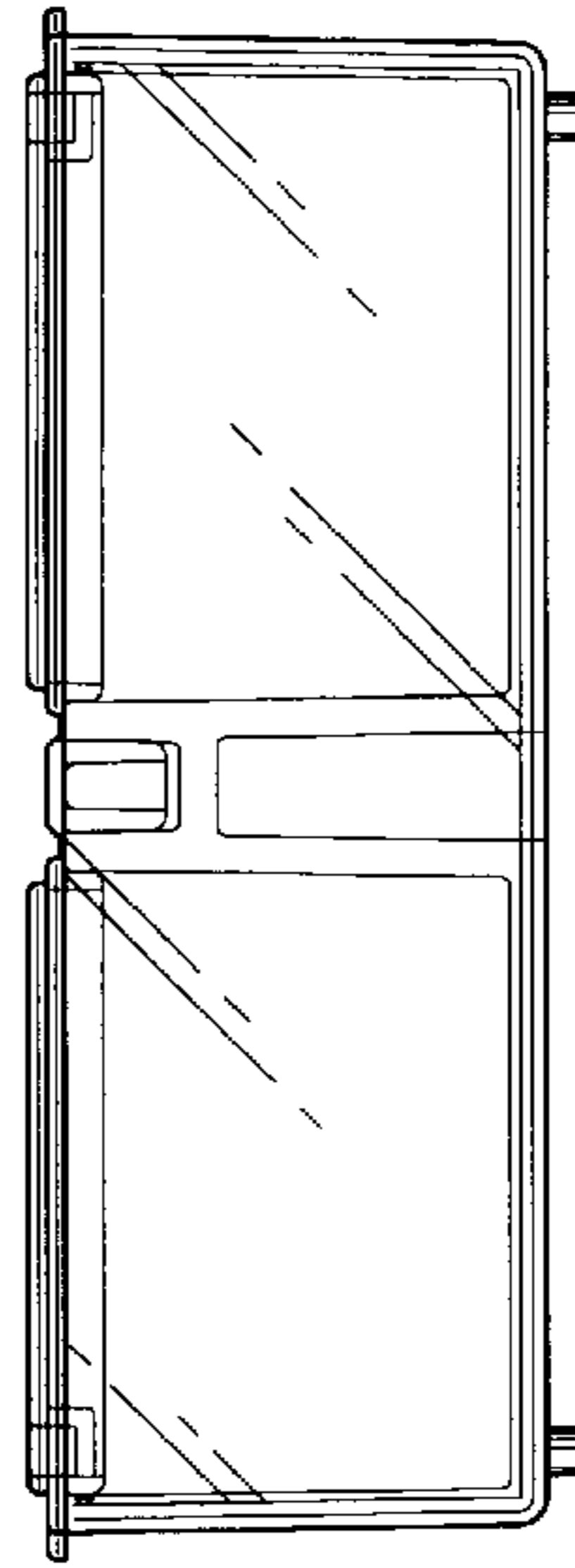


FIG. 1

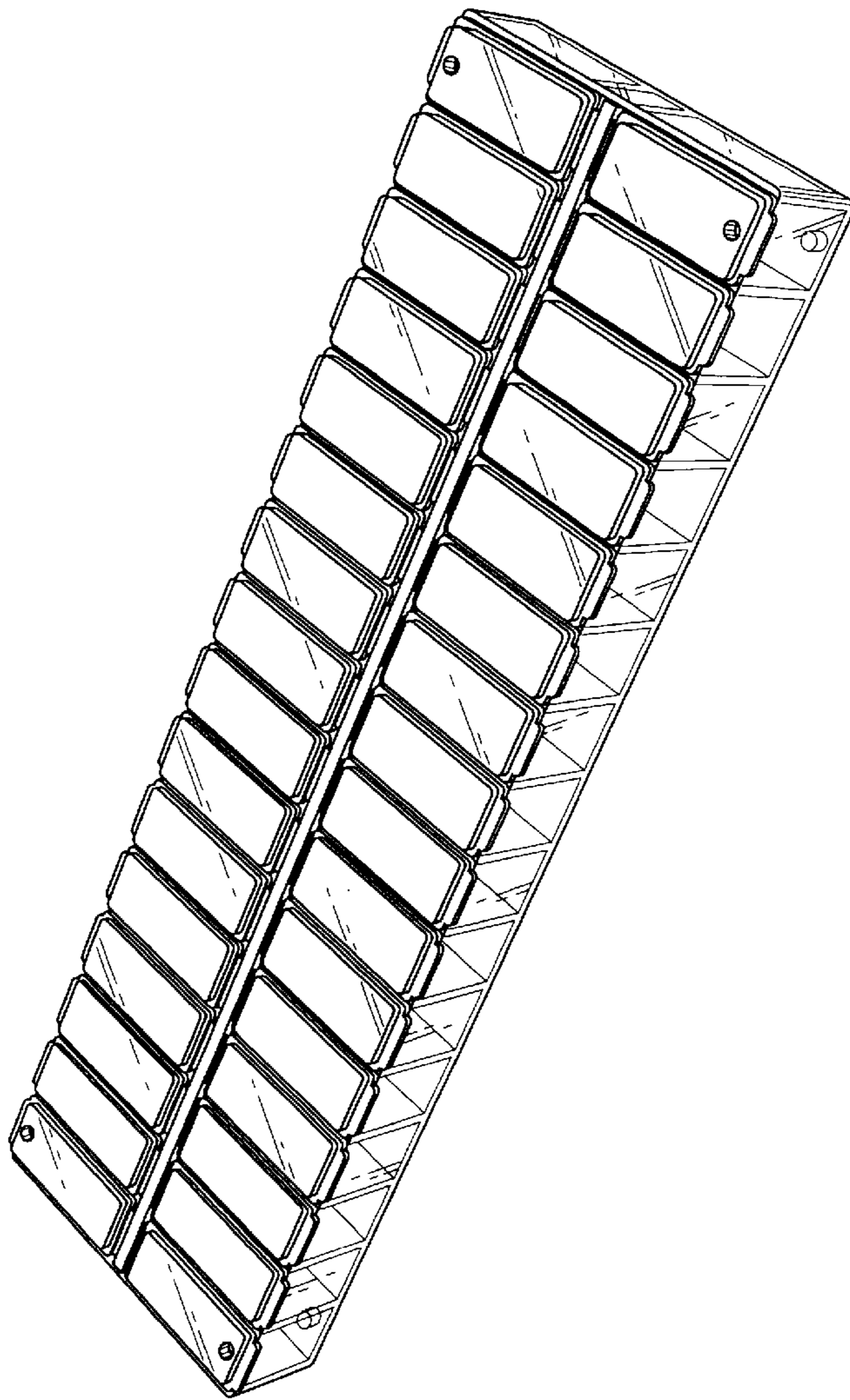
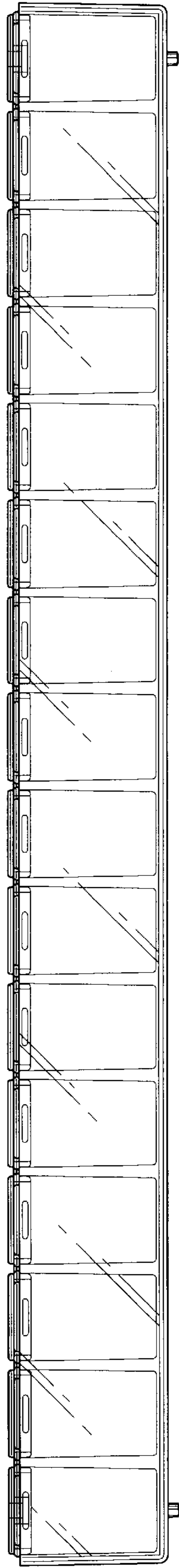


FIG. 3



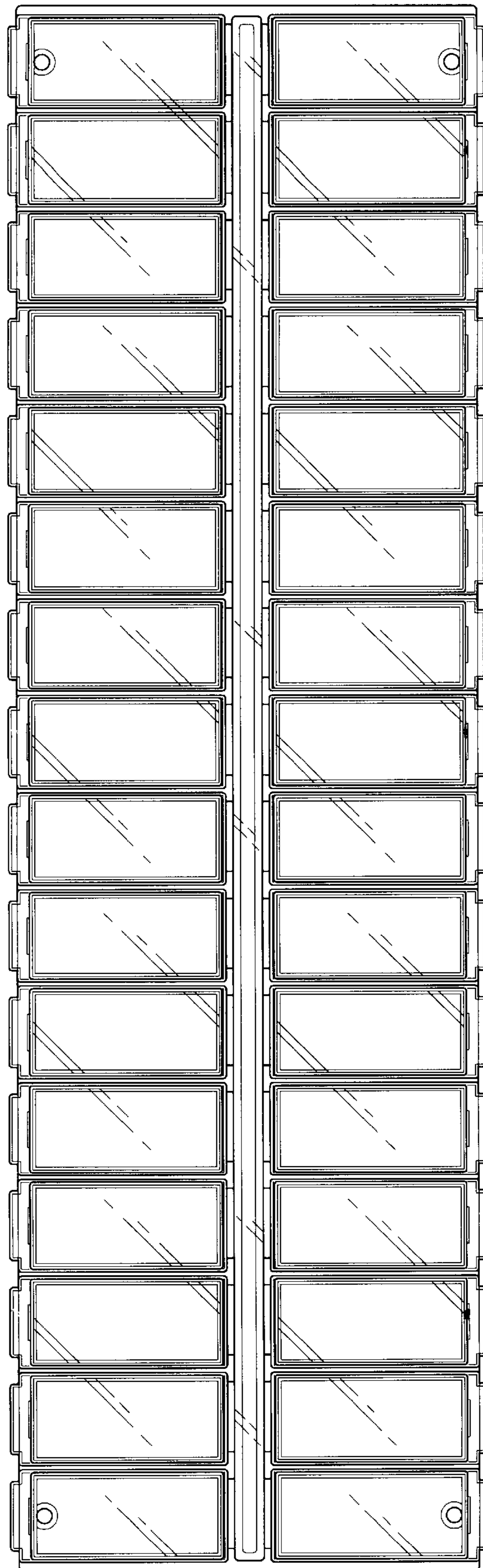


FIG. 4

FIG. 5

