



US00D415956S

United States Patent [19]

Smith et al.

[11] **Patent Number: Des. 415,956**

[45] **Date of Patent: ** Nov. 2, 1999**

[54] **BOLT KEEPER**

OTHER PUBLICATIONS

[76] Inventors: **H. A. Smith**, 4610 W. 82nd Ter., Prairie Village, Kans. 66208; **Ralph Carroll**, 49 Holly Dr., Olathe, Kans. 66062

Ser. No. 29/061337 to Smith, H.A. filing date Oct. 22, 1996.

Primary Examiner—Holly Baynham

[**] Term: **14 Years**

[57] CLAIM

[21] Appl. No.: **29/067,930**

The ornamental design for a bolt keeper, as shown and described.

[22] Filed: **Apr. 14, 1997**

DESCRIPTION

[51] **LOC (6) Cl.** **08-08**

FIG. 1 is a top plan view of a bolt keeper according to the present invention;

[52] **U.S. Cl.** **D8/397**

FIG. 2 is a side elevation view thereof;

[58] **Field of Search** D8/397, 349, 354, D8/394, 396; 292/288-289, 297

FIG. 3 is a left end elevation of FIG. 2 view thereof;

FIG. 4 is a right end elevation of FIG. 2 view thereof;

FIG. 5 is a side elevation of FIG. 2 view thereof; and,

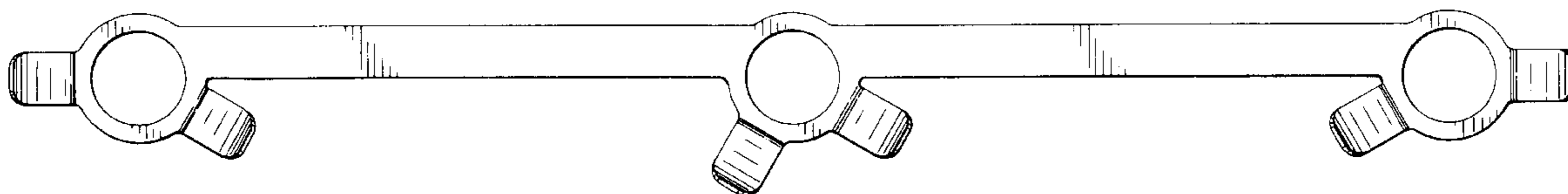
FIG. 6 is a bottom plan view thereof.

[56] References Cited

U.S. PATENT DOCUMENTS

- D. 317,712 6/1991 Jones D8/399
- D. 369,959 5/1996 Marsh et al. D8/394

1 Claim, 1 Drawing Sheet



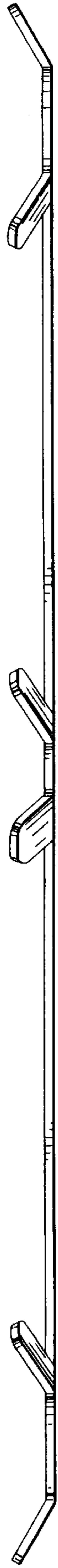
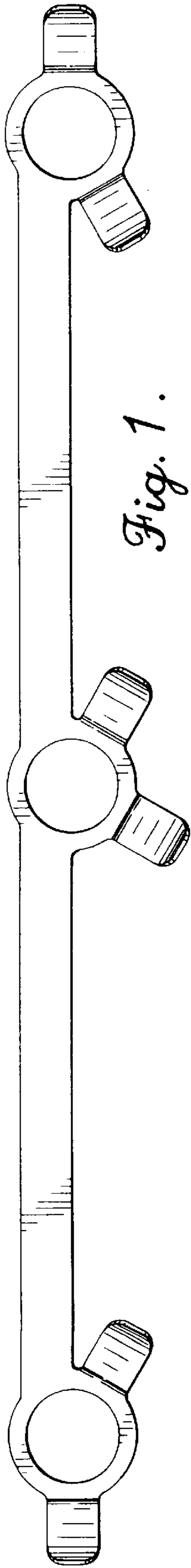


Fig. 2.



Fig. 3.

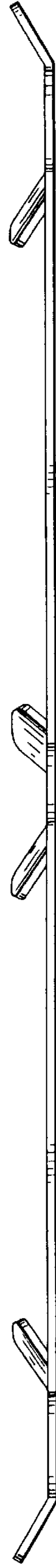


Fig. 5.

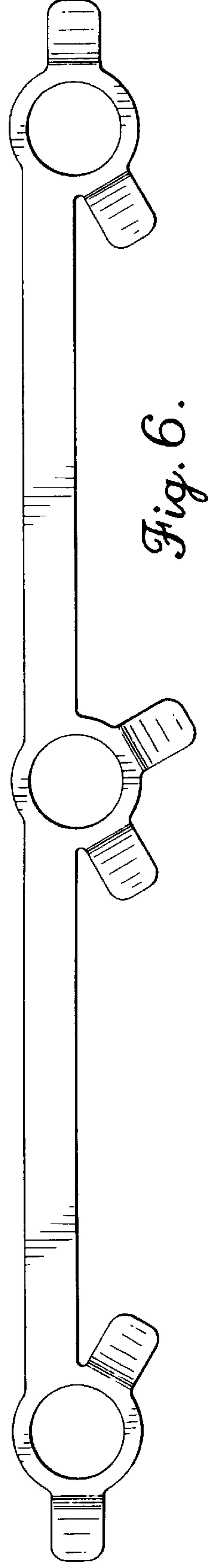


Fig. 6.