



US00D415952S

United States Patent [19] Camilleri et al.

[11] Patent Number: **Des. 415,952**

[45] Date of Patent: **** Nov. 2, 1999**

[54] **EXTENSION CORD RACK**
[75] Inventors: **Charles F. Camilleri**, St. Louis, Mo.;
Stanley T. Gresens, Charlestown, Mass.
[73] Assignee: **Newell Operating Company**, Freeport,
Ill.
[**] Term: **14 Years**

2,271,941	2/1942	Kemmitt	211/90 X
4,488,649	12/1984	Mark	211/181.1 X
4,511,047	4/1985	Elinsky	211/90
4,597,616	7/1986	Trubiano	211/181 X
4,685,575	8/1987	Kulbersh	211/90
4,830,200	5/1989	Zambano et al.	211/181 X
4,995,566	2/1991	Kotegawa et al.	D8/358 X
5,405,026	4/1995	Lee et al.	211/106 X
5,437,380	8/1995	Paey et al.	211/181 X
5,588,543	12/1996	Finger	211/90

[21] Appl. No.: **29/087,483**
[22] Filed: **May 4, 1998**

Related U.S. Application Data

[63] Continuation of application No. 08/923,827, Sep. 4, 1997, abandoned, which is a continuation of application No. 08/661,928, Jun. 11, 1996, abandoned.

[51] **LOC (6) Cl.** **08-05**
[52] **U.S. Cl.** **D8/358; D6/566**
[58] **Field of Search** D8/354, 356, 358;
D6/552, 553, 567, 566, 512-514; 211/13.1,
23, 30, 31, 34, 35, 41.1, 41.4, 42, 71, 85.5,
86-88, 90, 106, 126.9, 134, 181.1; 242/570,
590, 600; 248/49, 58

References Cited

U.S. PATENT DOCUMENTS

D. 288,496	2/1987	Brownlie	D8/358 X
318,252	5/1885	Holmes	211/90 X
D. 341,975	12/1993	Winter	D6/566
D. 355,552	2/1995	Whited et al.	D6/513
634,908	10/1899	Perry	211/106
736,442	8/1903	Pratt	211/106

OTHER PUBLICATIONS

Closetmaid® The Storage Authority, Retail Price List, Effective May 1, 1995; pp. 19-20.
Closetmaid® The Storage Authority, Retail Shelving and Storage; pp. 12-14.

Primary Examiner—Brian N. Vinson
Attorney, Agent, or Firm—Foley and Lardner

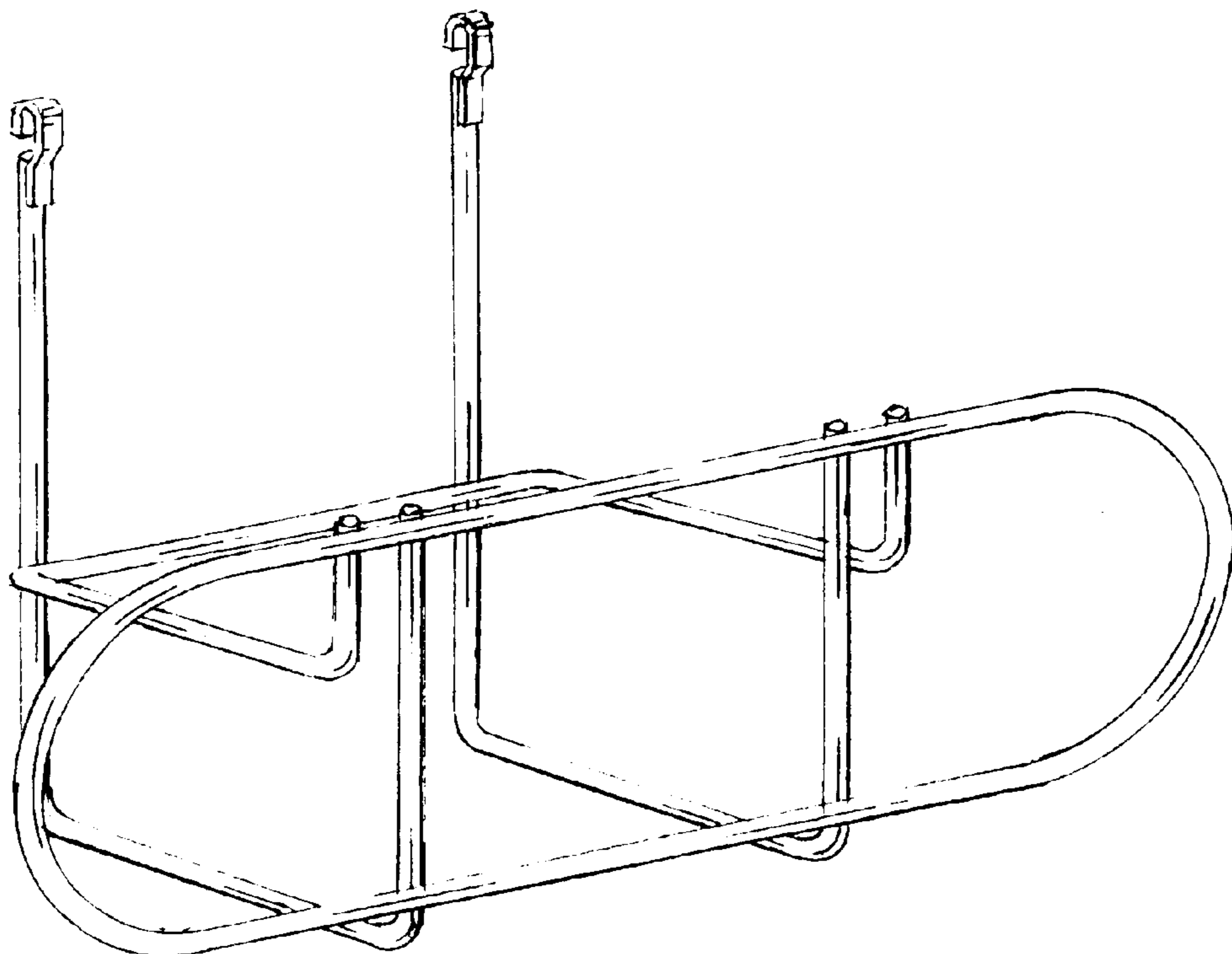
[57] CLAIM

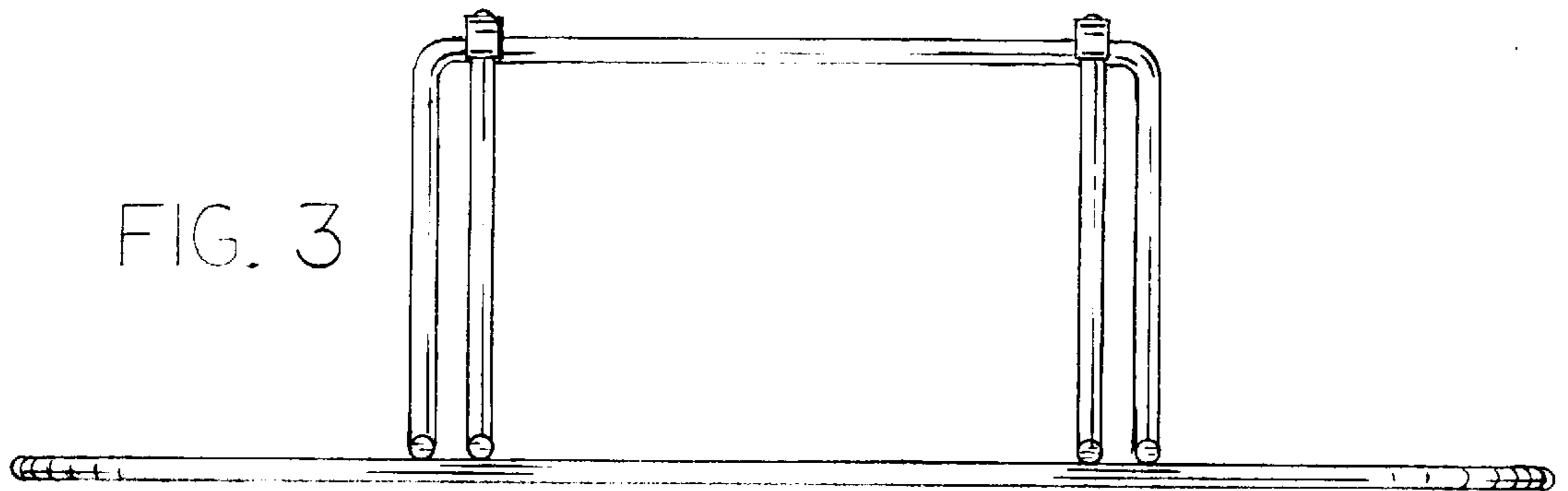
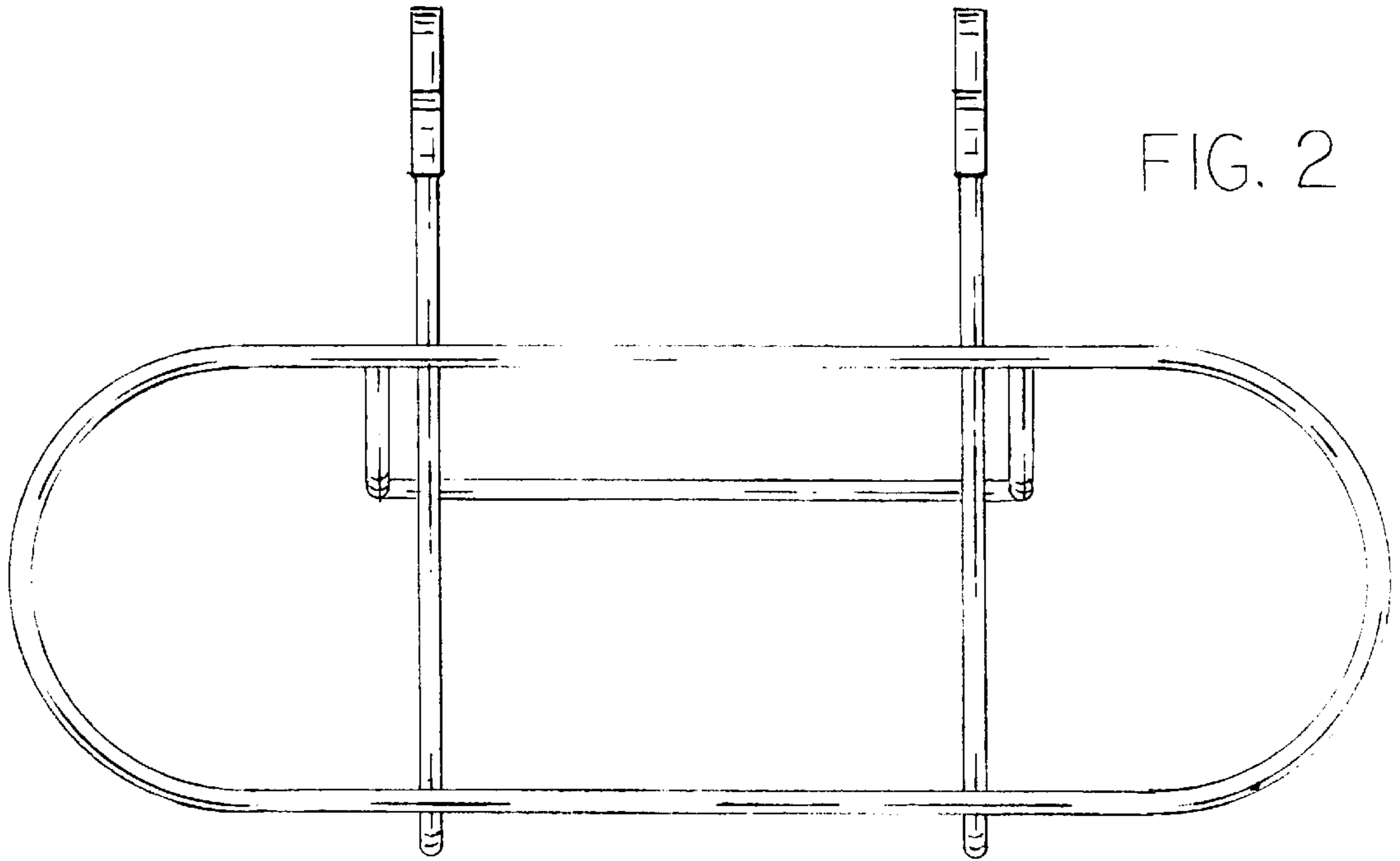
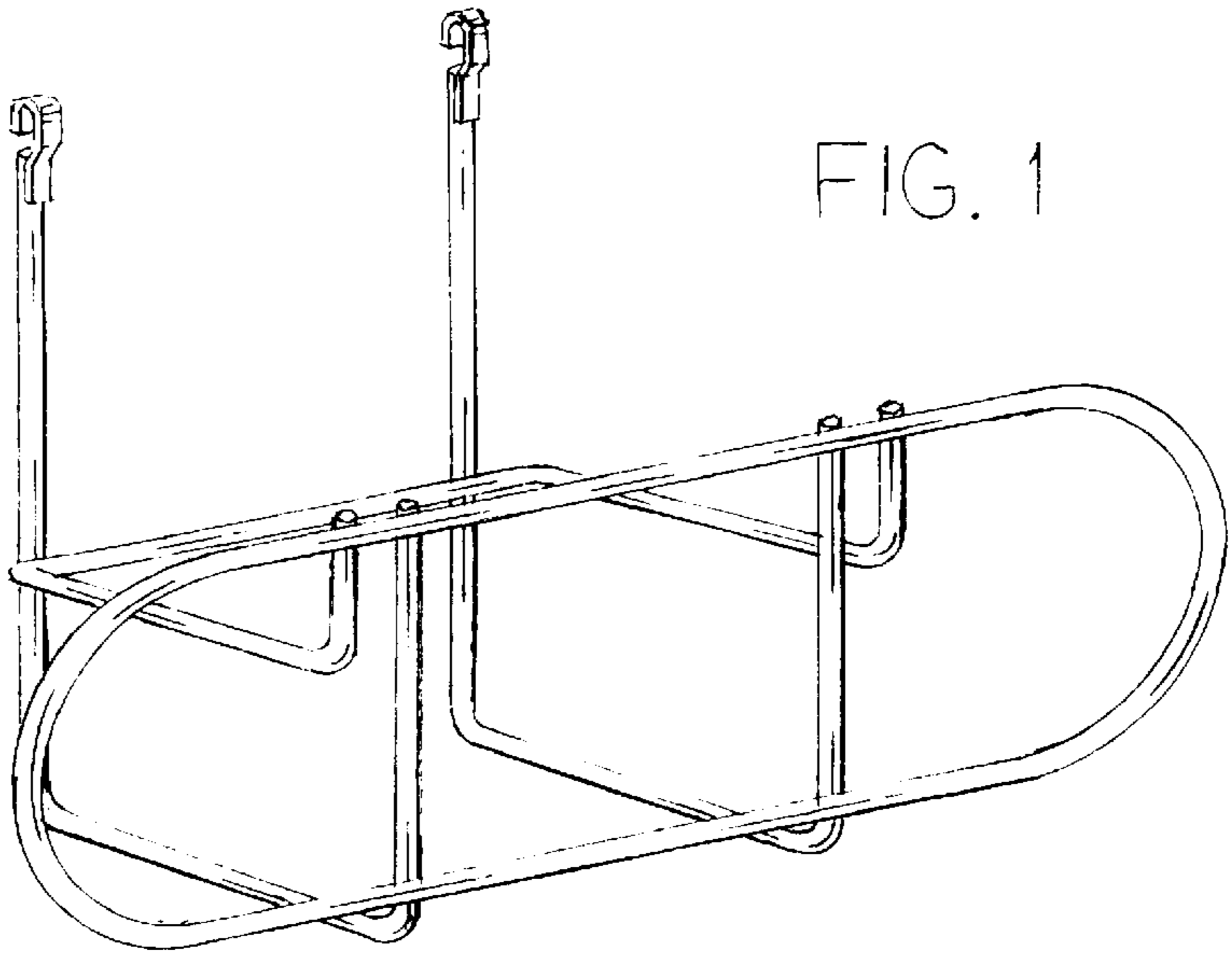
The ornamental design for a extension cord rack, as shown and described.

DESCRIPTION

FIG. 1 is a top perspective view of an extension cord rack showing our new design;
FIG. 2 is a front elevational view thereof;
FIG. 3 is a top plan view thereof;
FIG. 4 is a rear elevational view thereof;
FIG. 5 is a bottom plan view thereof; and,
FIG. 6 is a left side elevational view thereof, the right side elevational view being a mirror image of the left side elevational view.

1 Claim, 2 Drawing Sheets





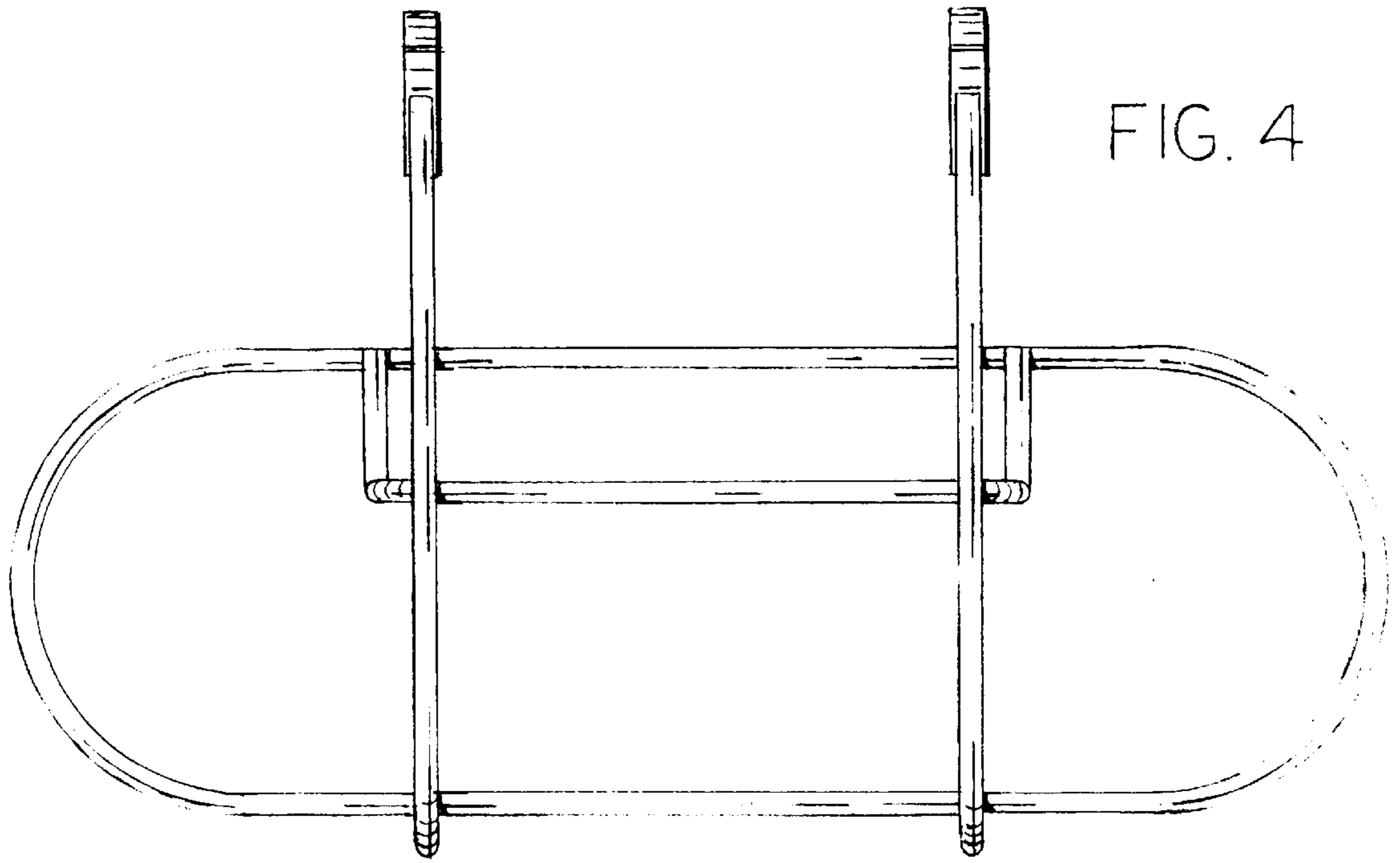


FIG. 4

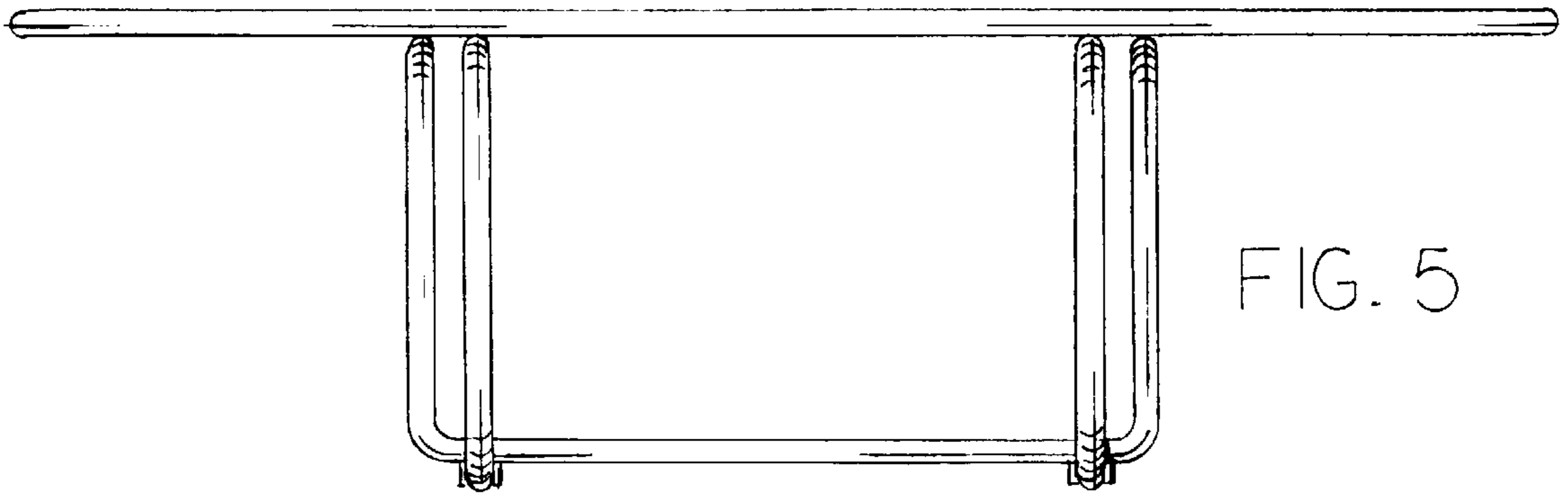


FIG. 5

FIG. 6

