



US00D415951S

United States Patent [19] Kraine

[11] Patent Number: **Des. 415,951**

[45] Date of Patent: **** Nov. 2, 1999**

[54] TIE DOWN ANCHOR

5,456,443 10/1995 Taaffe 248/551

[75] Inventor: **Ronald J. Kraine**, Brecksville, Ohio

Primary Examiner—Holly Baynham
Attorney, Agent, or Firm—Fay, Sharpe, Fogan, Minnich, & McKee

[73] Assignee: **Highland Group Corporation**, Solon, Ohio

[**] Term: **14 Years**

[57] **CLAIM**

The ornamental design for a tie down anchor, as shown.

[21] Appl. No.: **29/096,282**

DESCRIPTION

[22] Filed: **Nov. 9, 1998**

[51] **LOC (6) Cl.** **08-05**

[52] **U.S. Cl.** **D8/354**

[58] **Field of Search** D8/354, 382; 248/551, 248/499

FIG. 1 is a front elevational view of a tie down anchor formed in accordance with the present invention, the other front elevational view being an identical, mirror-image view;

FIG. 2 is a top plan view thereof;

FIG. 3 is a bottom plan view thereof, with elements not included in the invention shown in phantom;

FIG. 4 is a side elevational view thereof, the other side elevational view being an identical, mirror-image view; and,

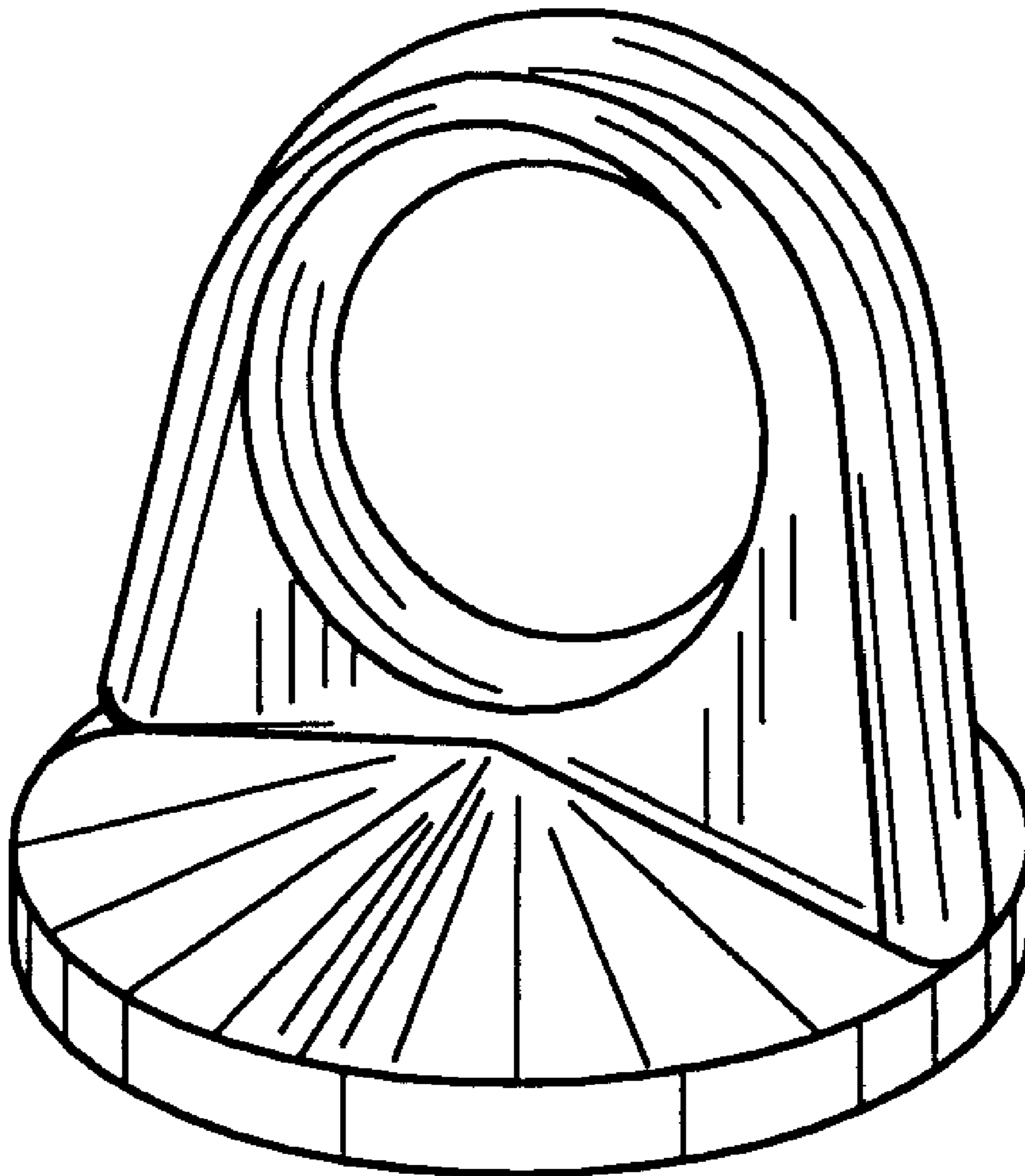
FIG. 5 is a perspective view thereof.

[56] **References Cited**

U.S. PATENT DOCUMENTS

D. 309,251	7/1990	Palmer	D8/354
4,090,314	5/1978	Mason	248/499 X
5,320,193	6/1994	Bongiovanni et al.	248/499 X

1 Claim, 1 Drawing Sheet



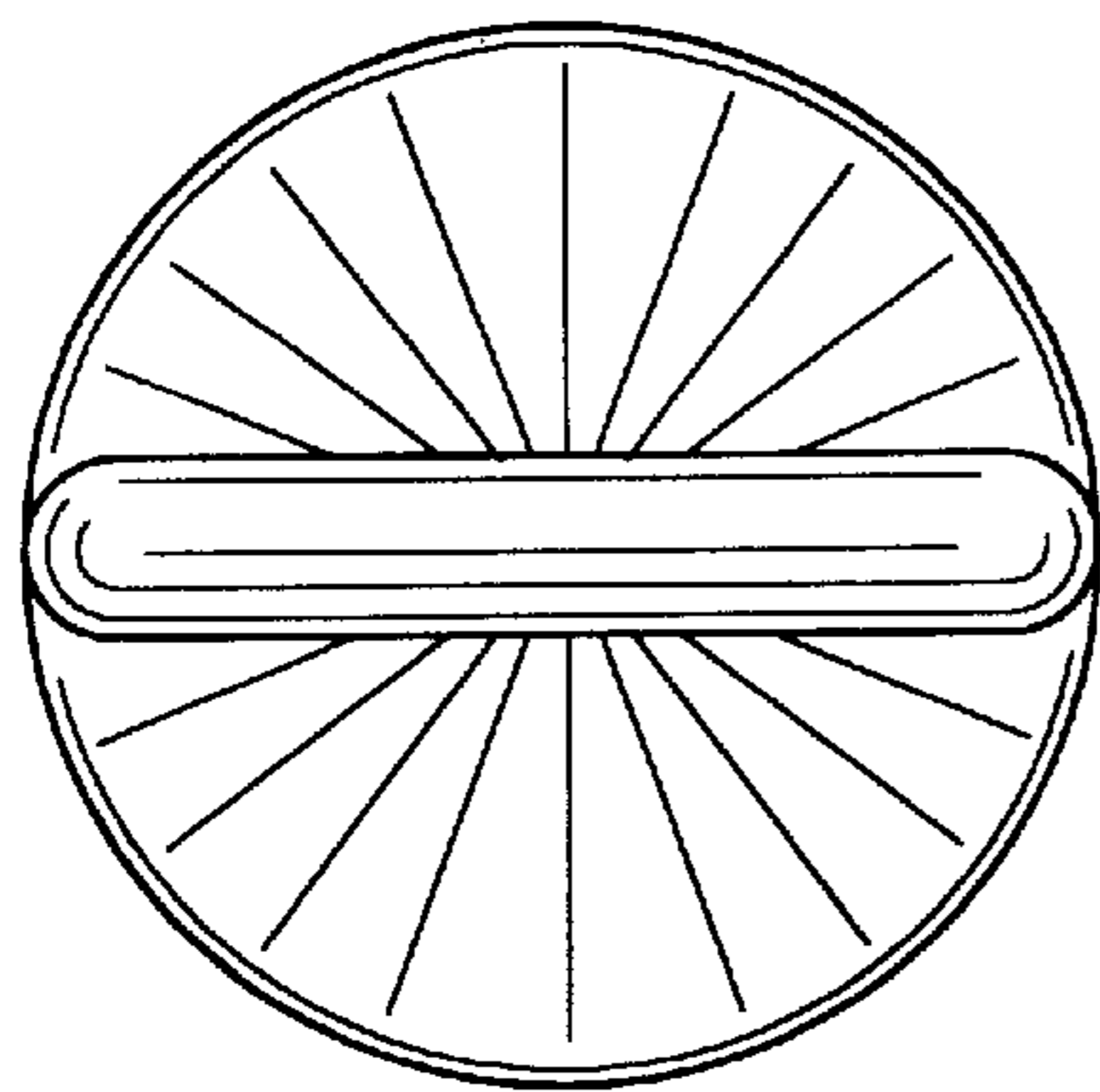


FIG. 2

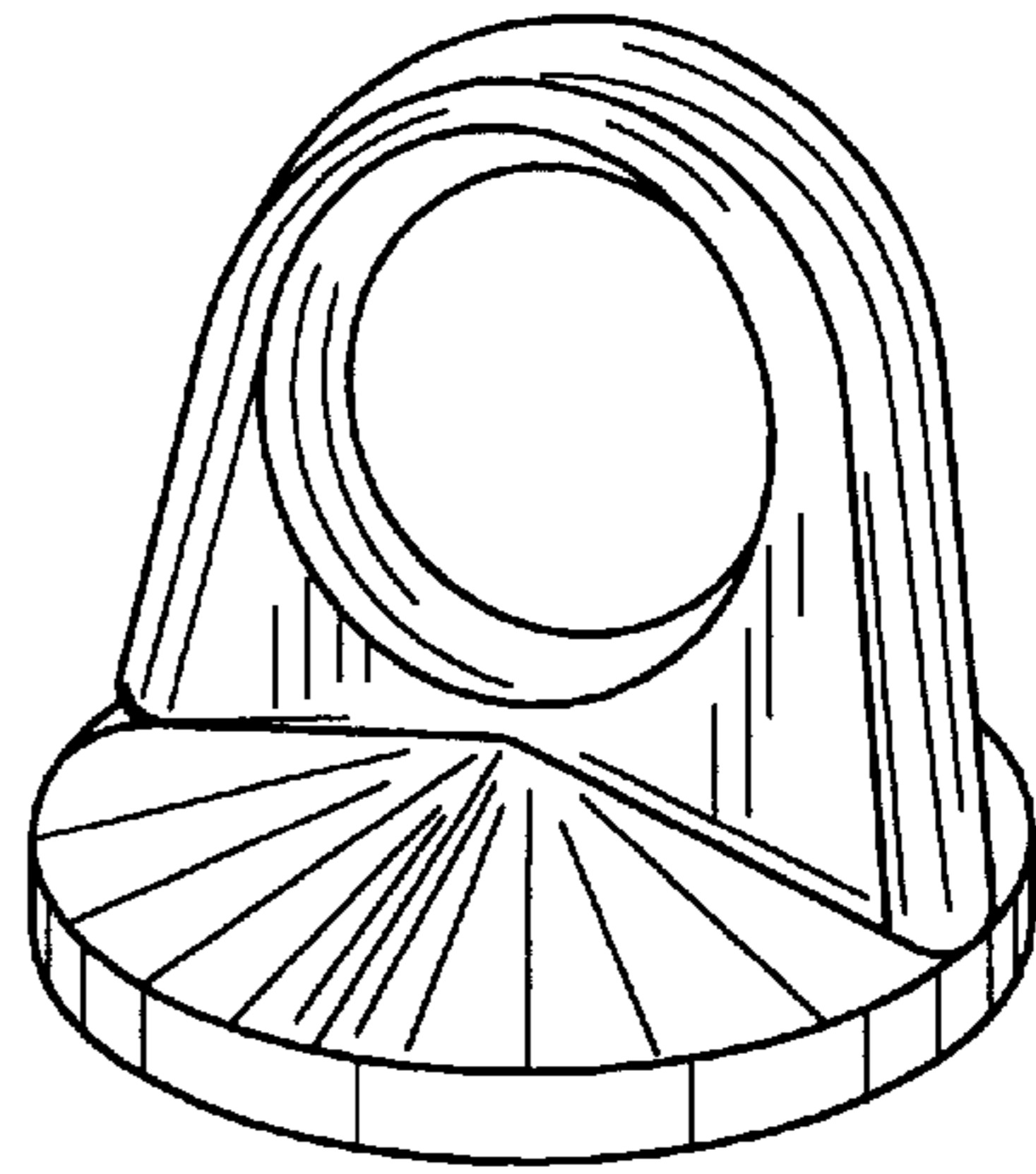


FIG. 5

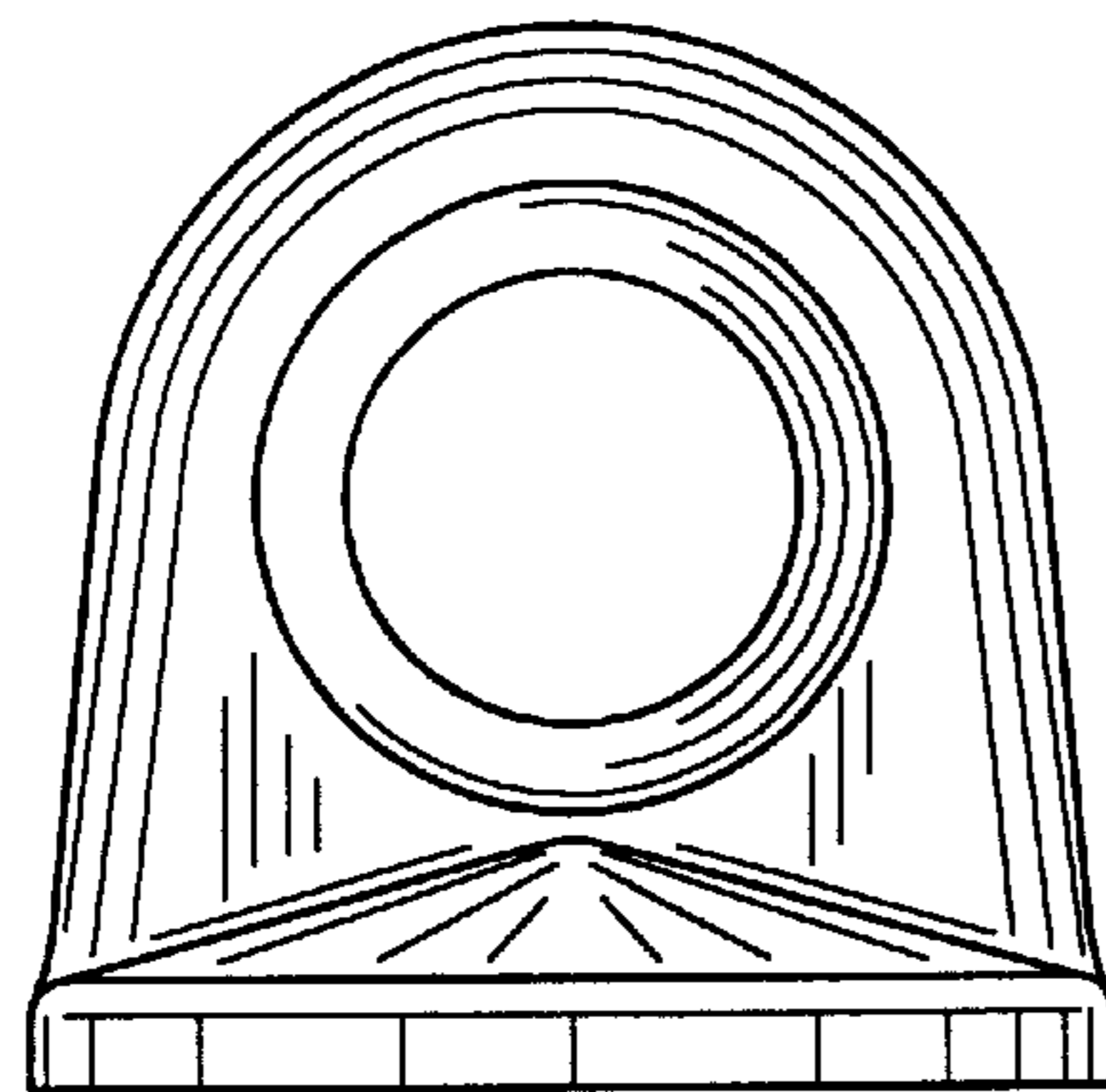


FIG. 1

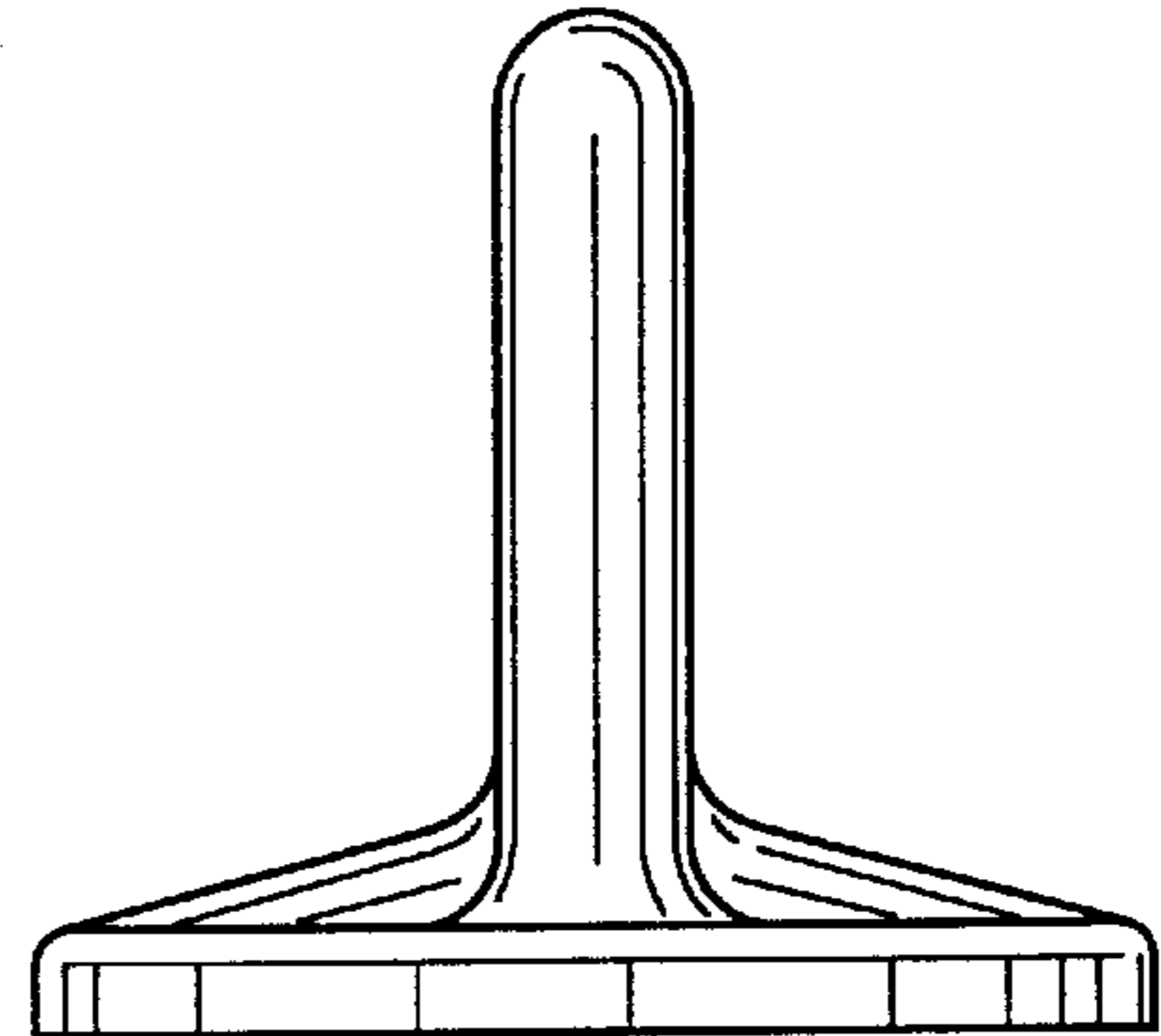


FIG. 4

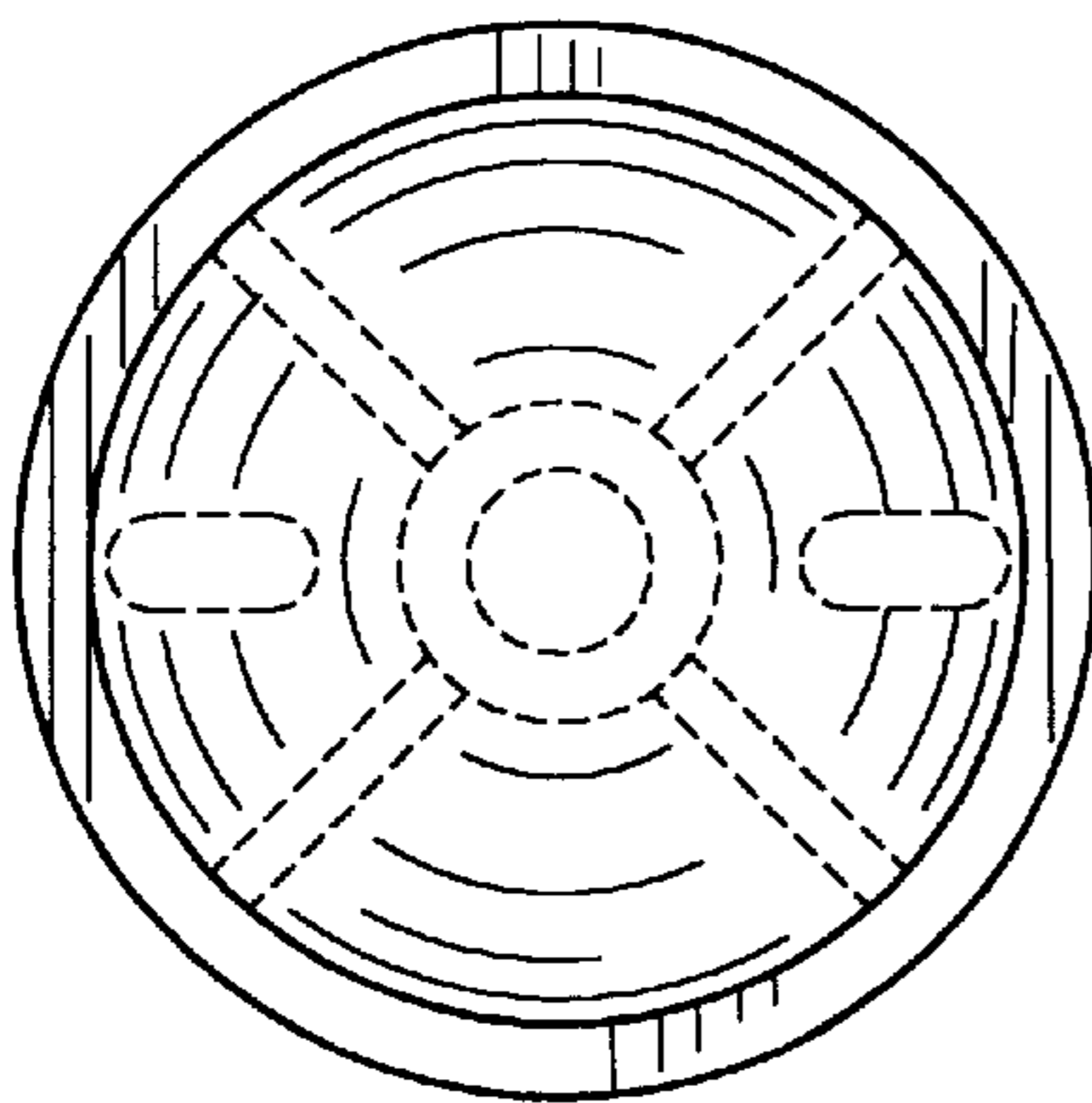


FIG. 3