



US00D415949S

United States Patent [19]

[11] **Patent Number: Des. 415,949**

Reed

[45] **Date of Patent: ** Nov. 2, 1999**

[54] **LOCKOUT HASP**

MSC Industrial Supply Co. 1997/1998 Catalog, 5 pages: cover and pp. 2513–2516 (1997/1998).

[76] Inventor: **Terry L. Reed**, 805 W. Rollin, Edgerton, Wis. 53534

Primary Examiner—Susan J. Lucas
Assistant Examiner—Jennifer Rivard
Attorney, Agent, or Firm—Kinney & Lange, P.A.

[**] Term: **14 Years**

[21] Appl. No.: **29/094,407**

[57] **CLAIM**

[22] Filed: **Oct. 1, 1998**

The ornamental design for a lockout hasp, as shown and described.

[51] **LOC (6) Cl. 08-07**

[52] **U.S. Cl. D8/333**

[58] **Field of Search** 70/2, 14, 29, 23, 70/24; 292/281, 285; D8/330, 331, 336, 339, 333, 343

DESCRIPTION

[56] **References Cited**

U.S. PATENT DOCUMENTS

D. 332,043	12/1992	Linhart	D8/333
1,233,145	7/1917	Thomas	70/29
5,582,042	12/1996	Mordick	70/14
5,743,116	4/1998	Suster	70/14
5,881,582	3/1999	Monaco	70/14

FIG. 1 is a perspective view of the lockout hasp as seen from the front and one side;

FIG. 2 is a front elevational view of the lockout hasp;

FIG. 3 is a side elevational view of the lockout hasp as seen from right to left of FIG. 2;

FIG. 4 is a bottom plan view of the lockout hasp;

FIG. 5 is a rear elevational view of the lockout hasp;

FIG. 6 is a side elevational view of the lockout as seen from side opposite that shown in FIG. 3;

FIG. 7 is a top plan view of the lockout hasp; and,

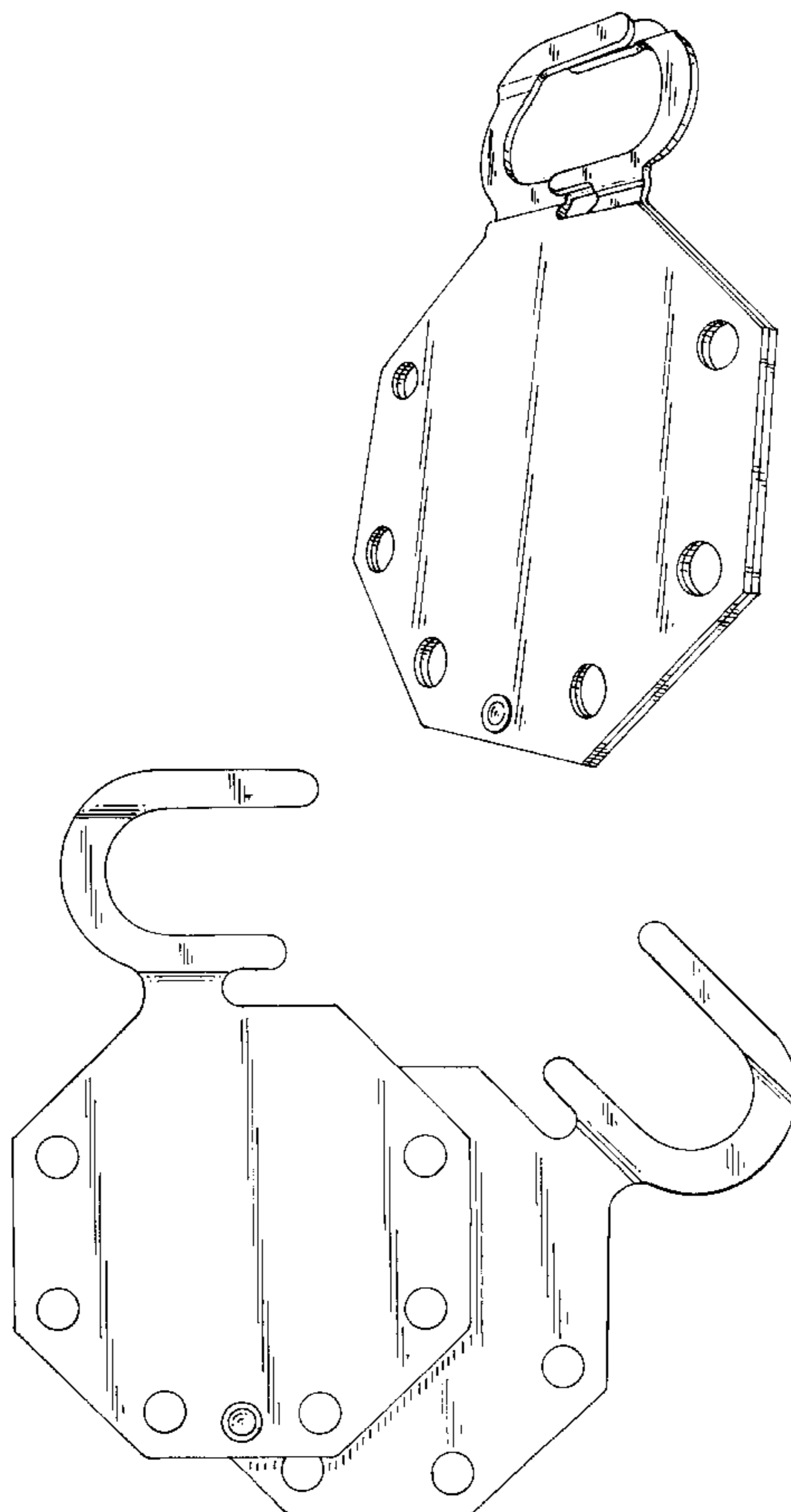
FIG. 8 is a front elevational view of the lockout hasp in an open position.

OTHER PUBLICATIONS

McMaster–Carr Supply Company Catalog 104, 3 pages: cover and pp. 2411–2412 (Jan. 1998).

J&L Industrial Supply 1998 Catalog, 3 pages: cover and pp. 846T–847T (Jan. 1998).

1 Claim, 4 Drawing Sheets



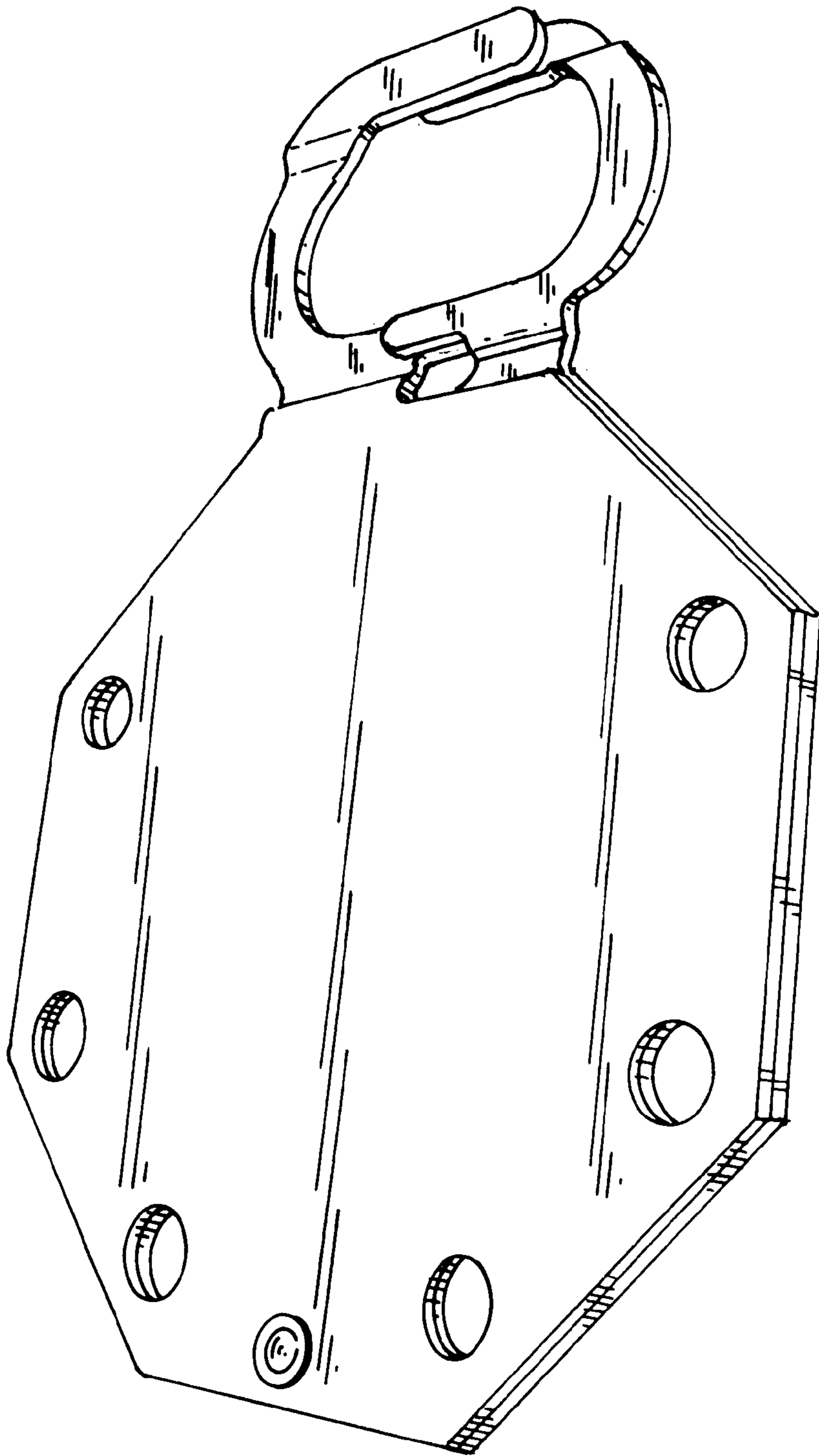


Fig. 1

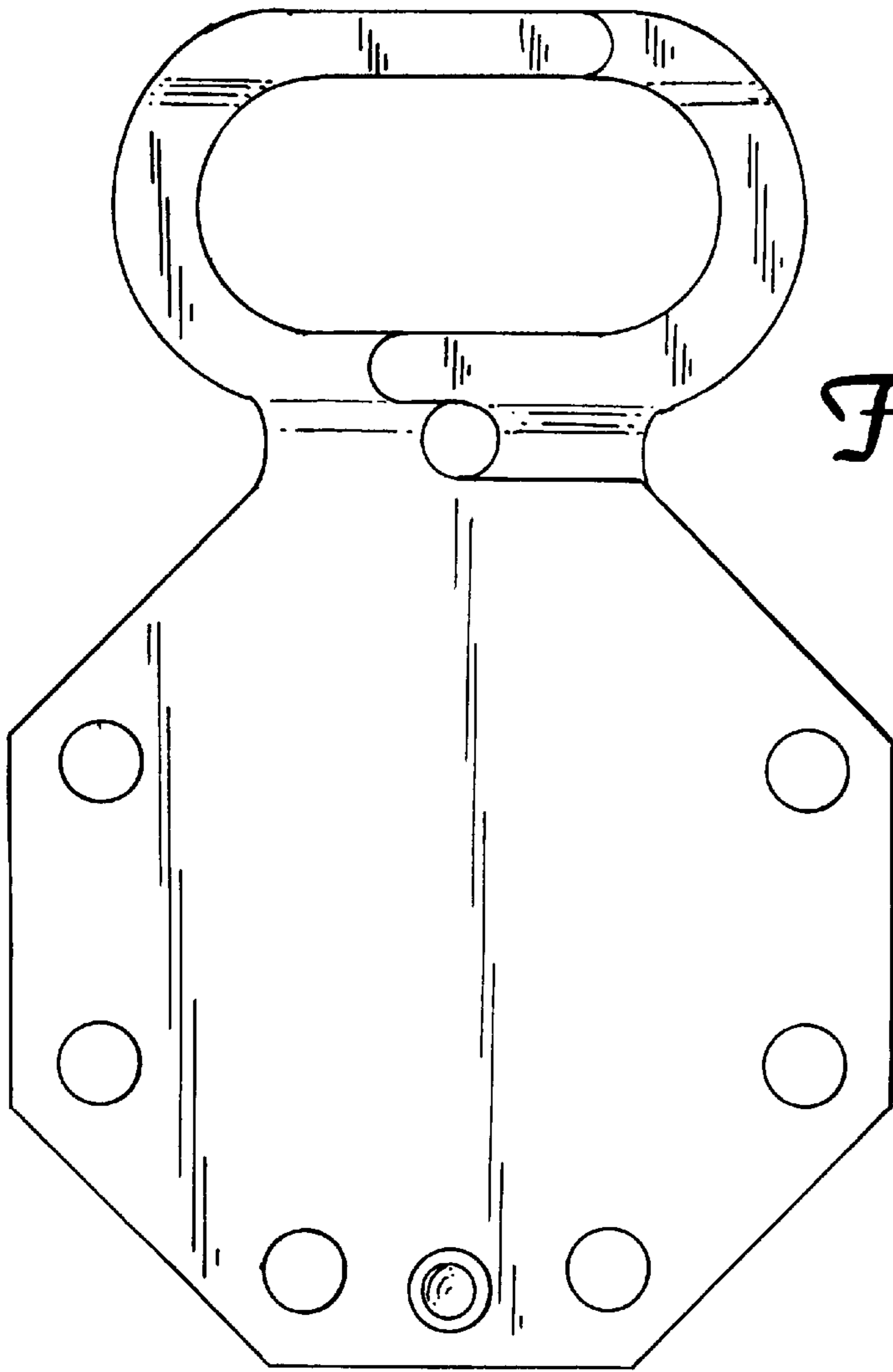


Fig. 2

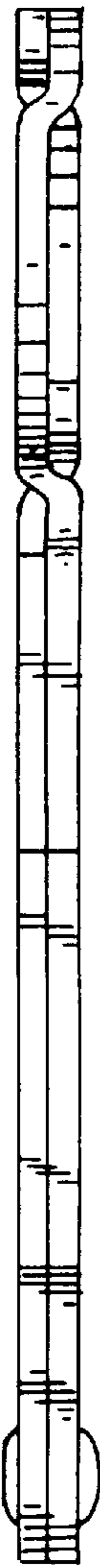


Fig. 3



Fig. 4

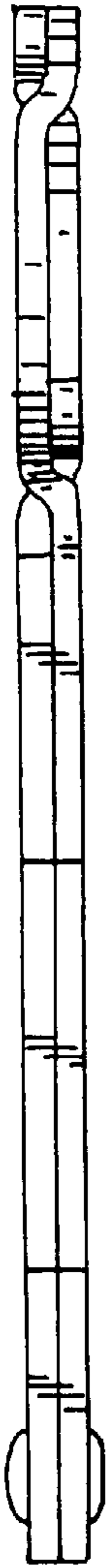


Fig. 6

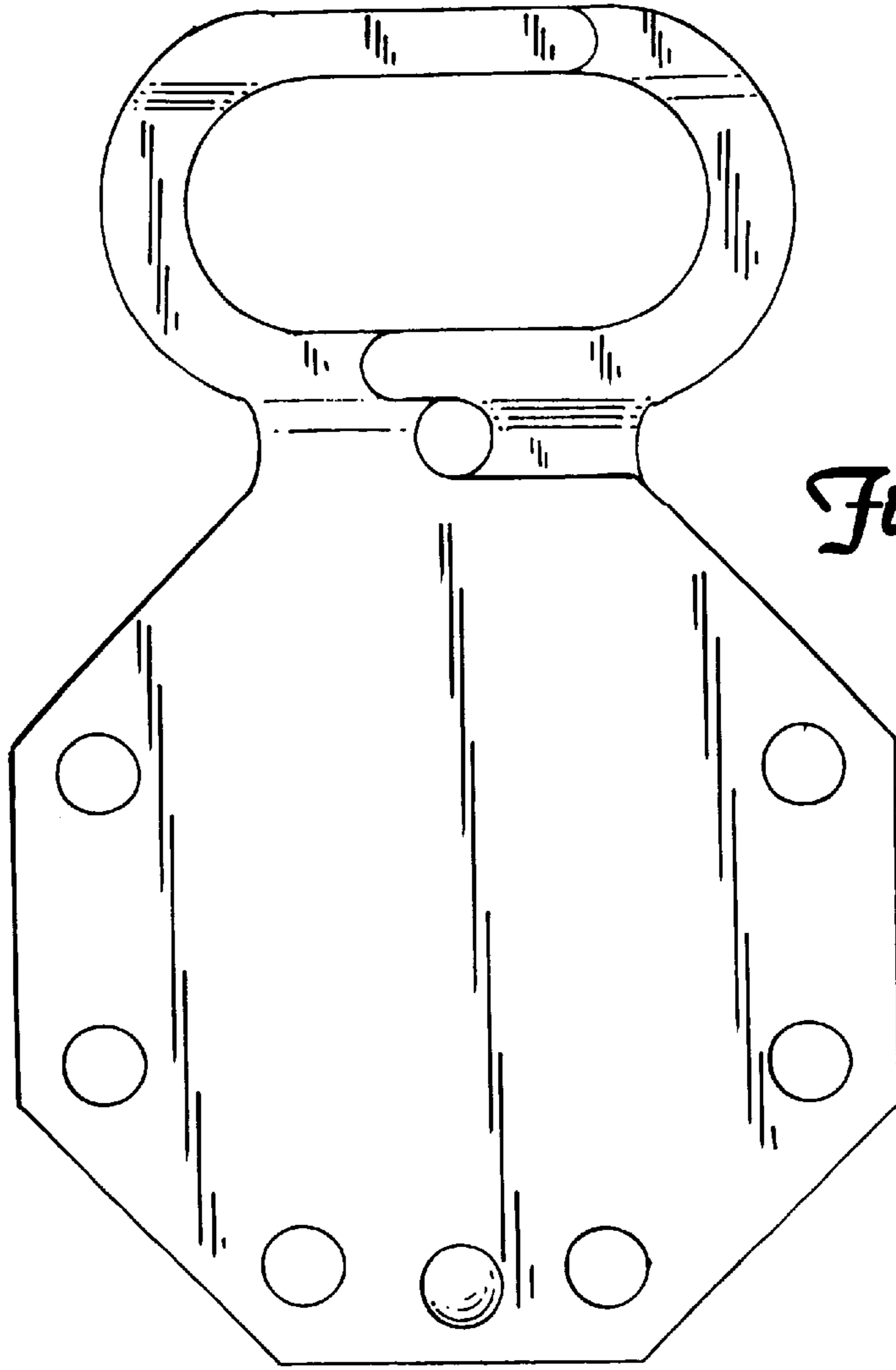


Fig. 5



Fig. 7

Fig. 8

