



US00D415947S

United States Patent [19]
May

[11] **Patent Number: Des. 415,947**

[45] **Date of Patent: ** Nov. 2, 1999**

[54] **DOORKNOB**

D. 231,315 4/1974 James D8/305

[76] Inventor: **William May**, 3701 Rice Blvd.,
Houston, Tex. 77005

OTHER PUBLICATIONS

Texas A&M University Collegiate Licensing Art, undated.
The Texas Aggie, Cover Page, Oct. 1989, vol. 70, No. 6.

[**] Term: **14 Years**

Primary Examiner—B. J. Bullock
Attorney, Agent, or Firm—Conley, Rose & Tayon, P.C.

[21] Appl. No.: **29/097,633**

[22] Filed: **Dec. 10, 1998**

[57] **CLAIM**

The ornamental design for a doorknob, as shown.

[51] **LOC (6) Cl. 08-06**

[52] **U.S. Cl. D8/305; D8/310; D11/107**

DESCRIPTION

[58] **Field of Search D8/300, 305, 310;**
D11/107, 31, 224; 16/110 R, 121

FIG. 1 is a front view of the doorknob.
FIG. 2 is a lower side view of the doorknob.
FIG. 3 is a right side view of the doorknob.
FIG. 4 is a left side view the doorknob.
FIG. 5 is a top side view of the doorknob; and,
FIG. 6 is a back view of the doorknob.

[56] **References Cited**

U.S. PATENT DOCUMENTS

D. 53,868	9/1919	Stump	D11/107
D. 137,133	1/1944	Hoover	D11/107
D. 145,236	7/1946	Sutherlin	D11/107

1 Claim, 3 Drawing Sheets

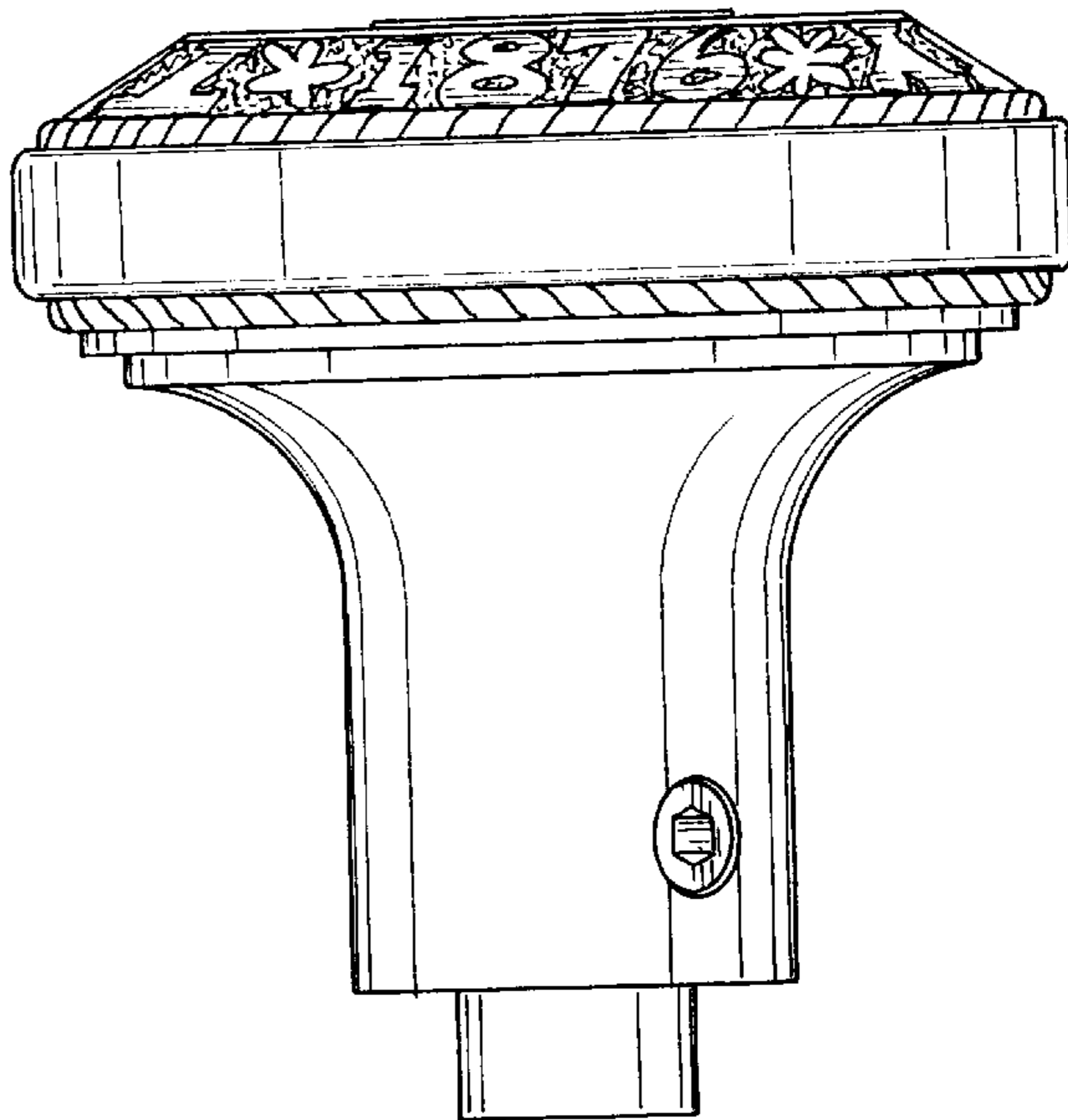


FIG. 1

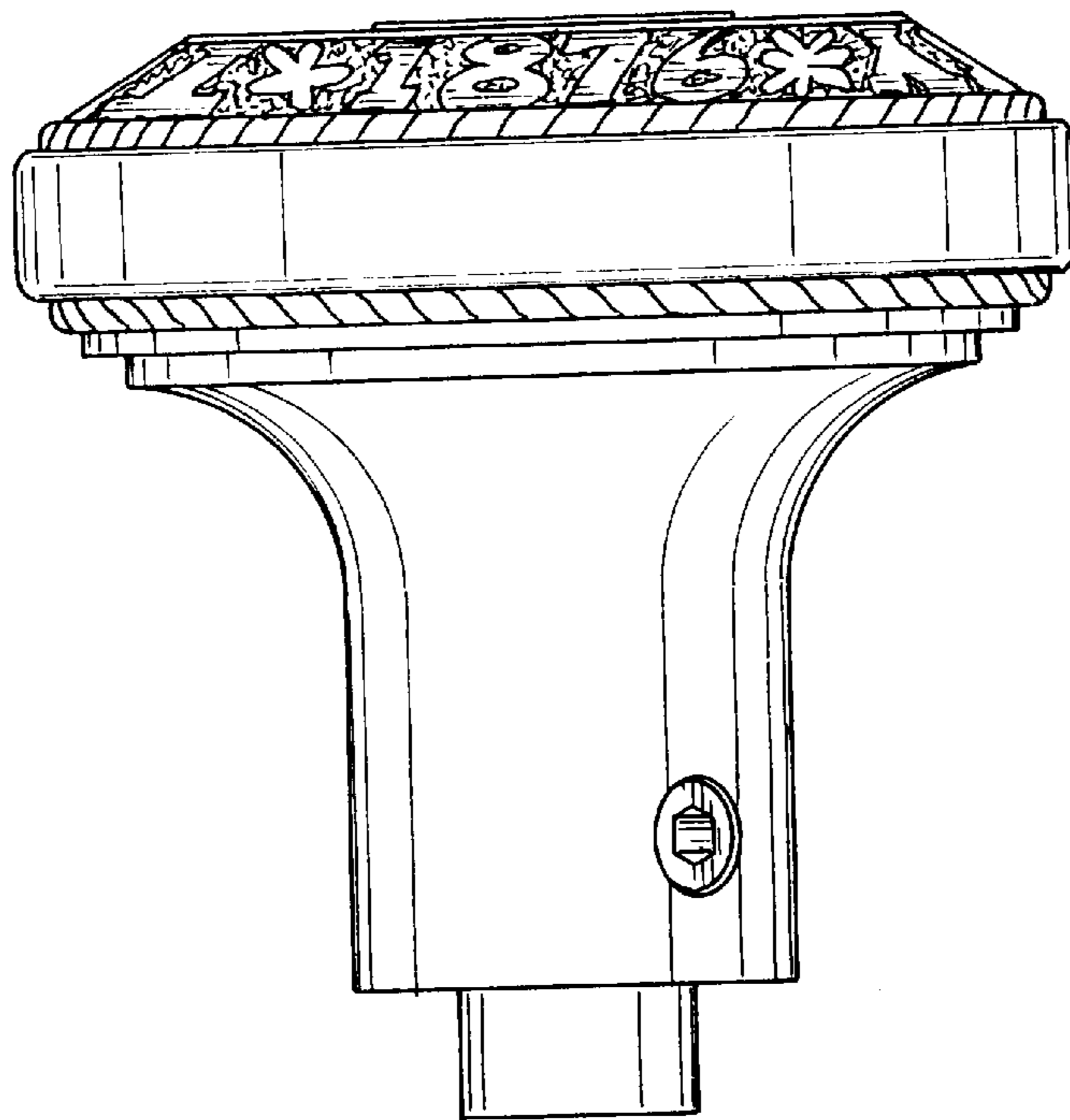


FIG. 2

FIG. 3

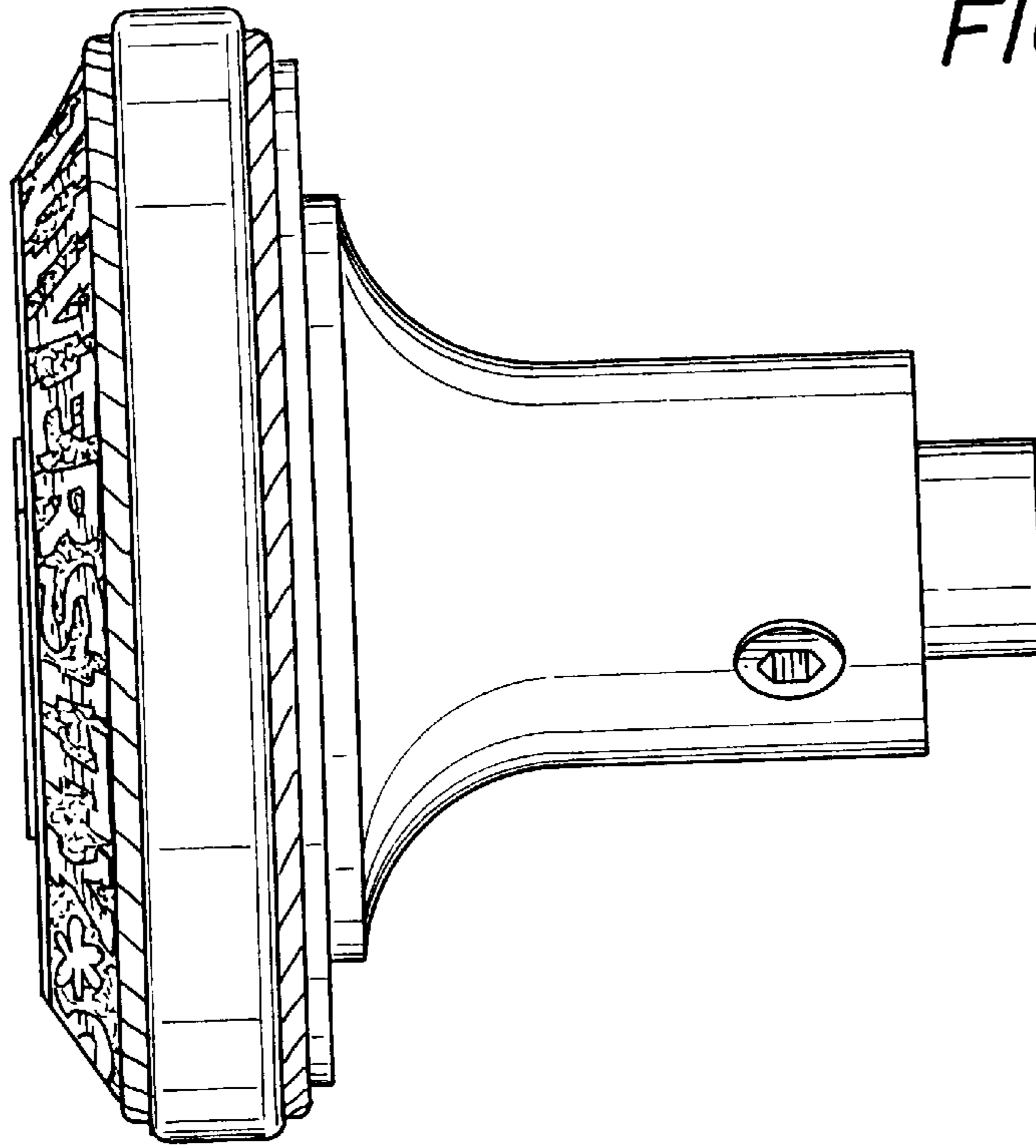
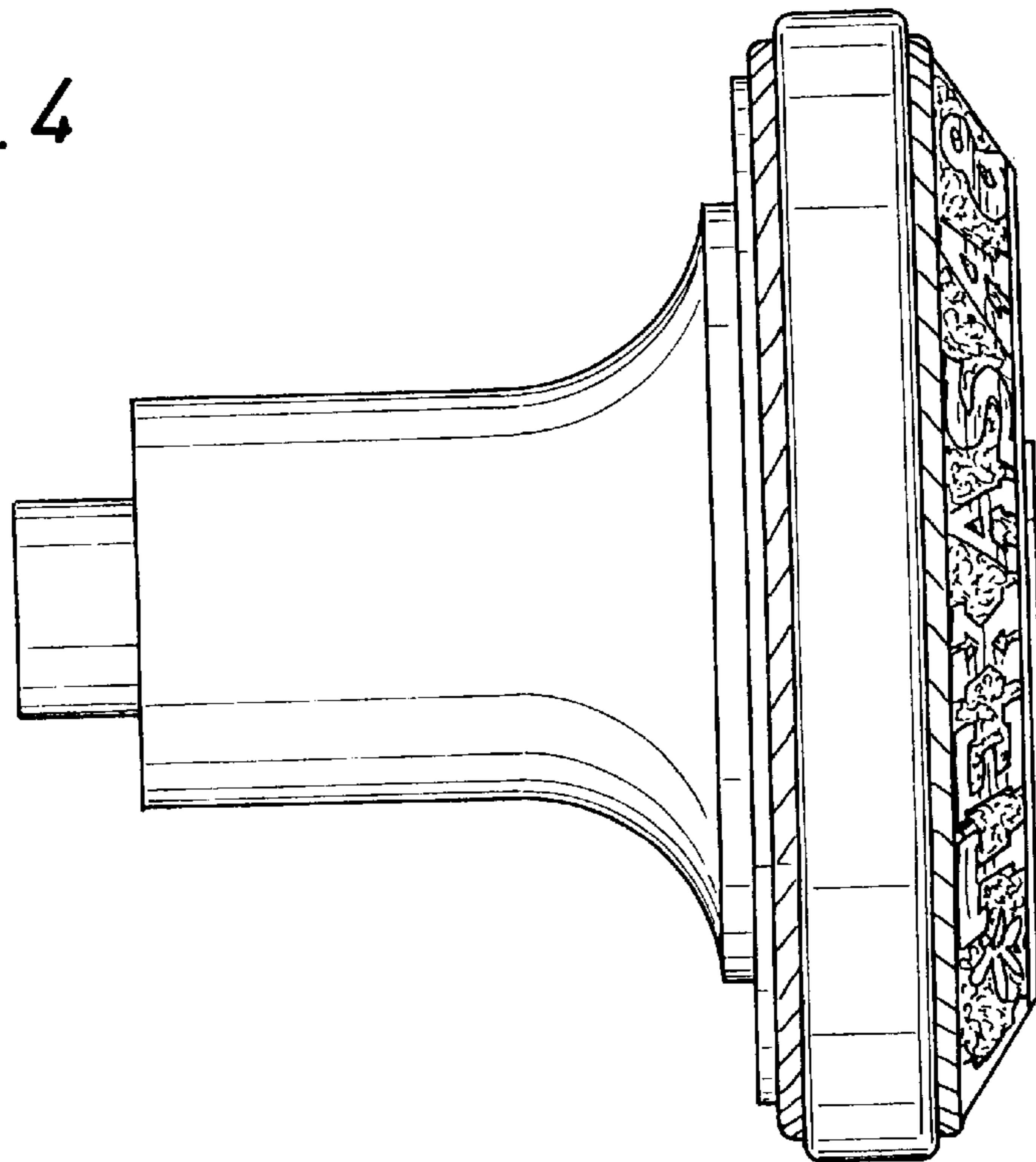


FIG. 4



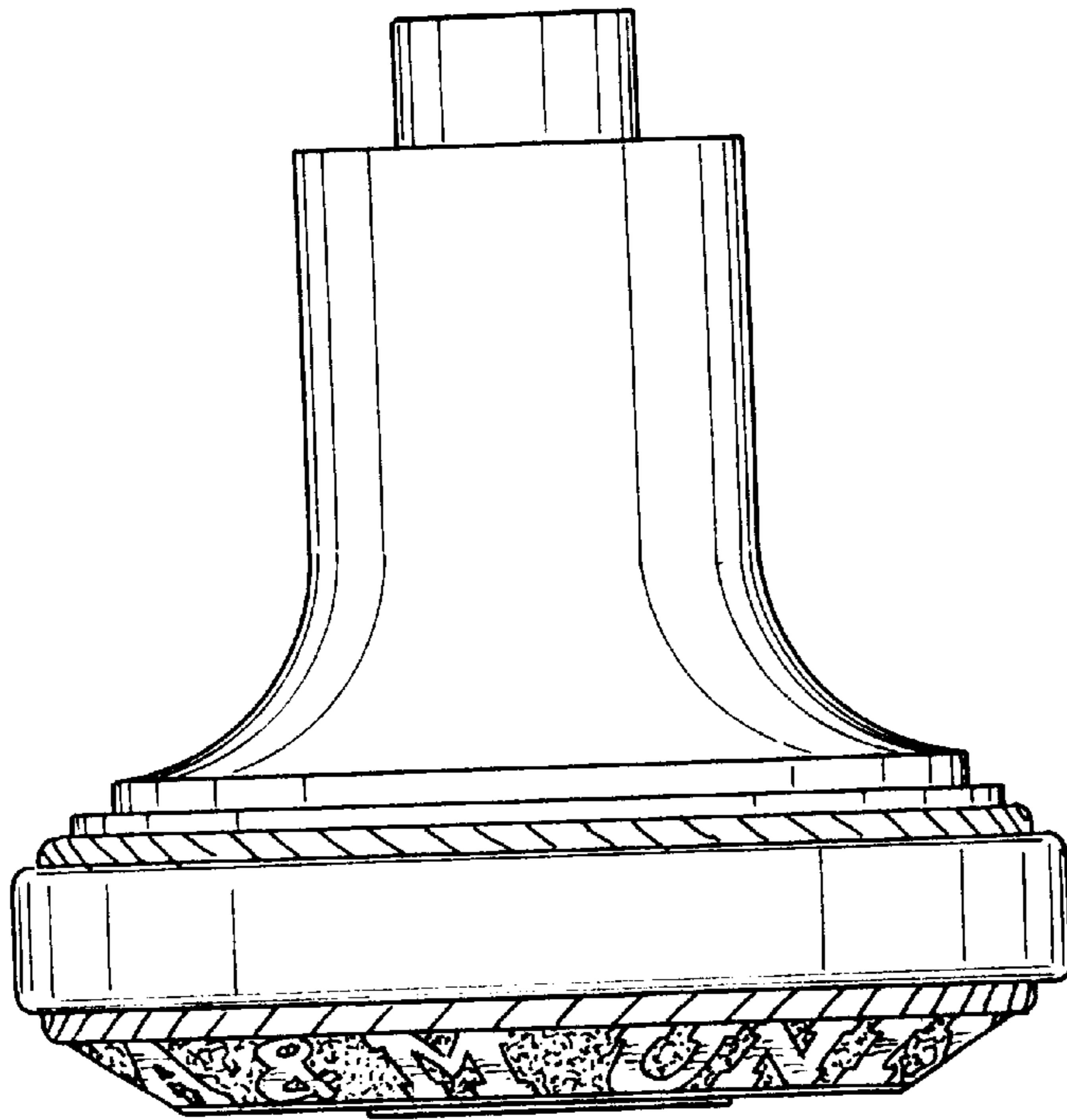


FIG. 5

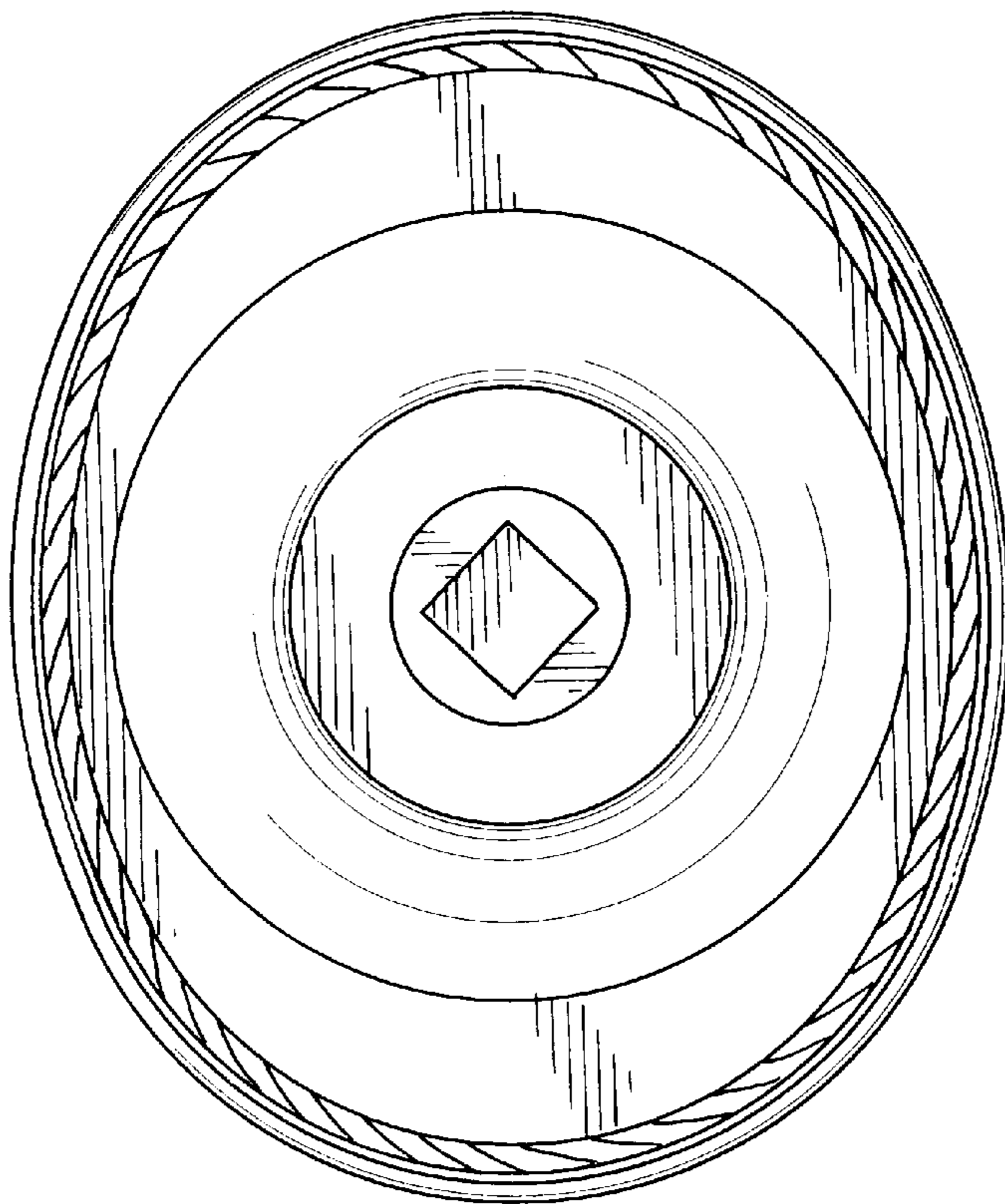


FIG. 6