



US00D415946S

United States Patent [19]

Tsai

[11] Patent Number: **Des. 415,946**

[45] Date of Patent: **** Nov. 2, 1999**

[54] **TOOL**

4,384,499 5/1983 Shockley 81/440
5,803,584 9/1998 Chung 81/440

[76] Inventor: **An Tsai**, P.O. Box 63-99, Taichung, Taiwan, 406

Primary Examiner—Philip S. Hyder

[**] Term: **14 Years**

[57] **CLAIM**

The ornamental design for a tool, as shown and described.

[21] Appl. No.: **29/098,348**

[22] Filed: **Dec. 28, 1998**

DESCRIPTION

[51] **LOC (6) Cl.** **08-04**

FIG. 1 is a perspective view of a tool showing my new design;

[52] **U.S. Cl.** **D8/107**; D8/86; D8/105

FIG. 2 is a front elevational view thereof;

[58] **Field of Search** D8/83, 86, 107,
D8/14, 105; 81/436, 437, 438, 439, 440;
7/167, 165

FIG. 3 is a rear elevational view thereof;

FIG. 4 is a top plan view thereof;

FIG. 5 is a bottom plan view thereof;

FIG. 6 is a left side elevational view thereof;

FIG. 7 is a right side elevational view thereof; and,

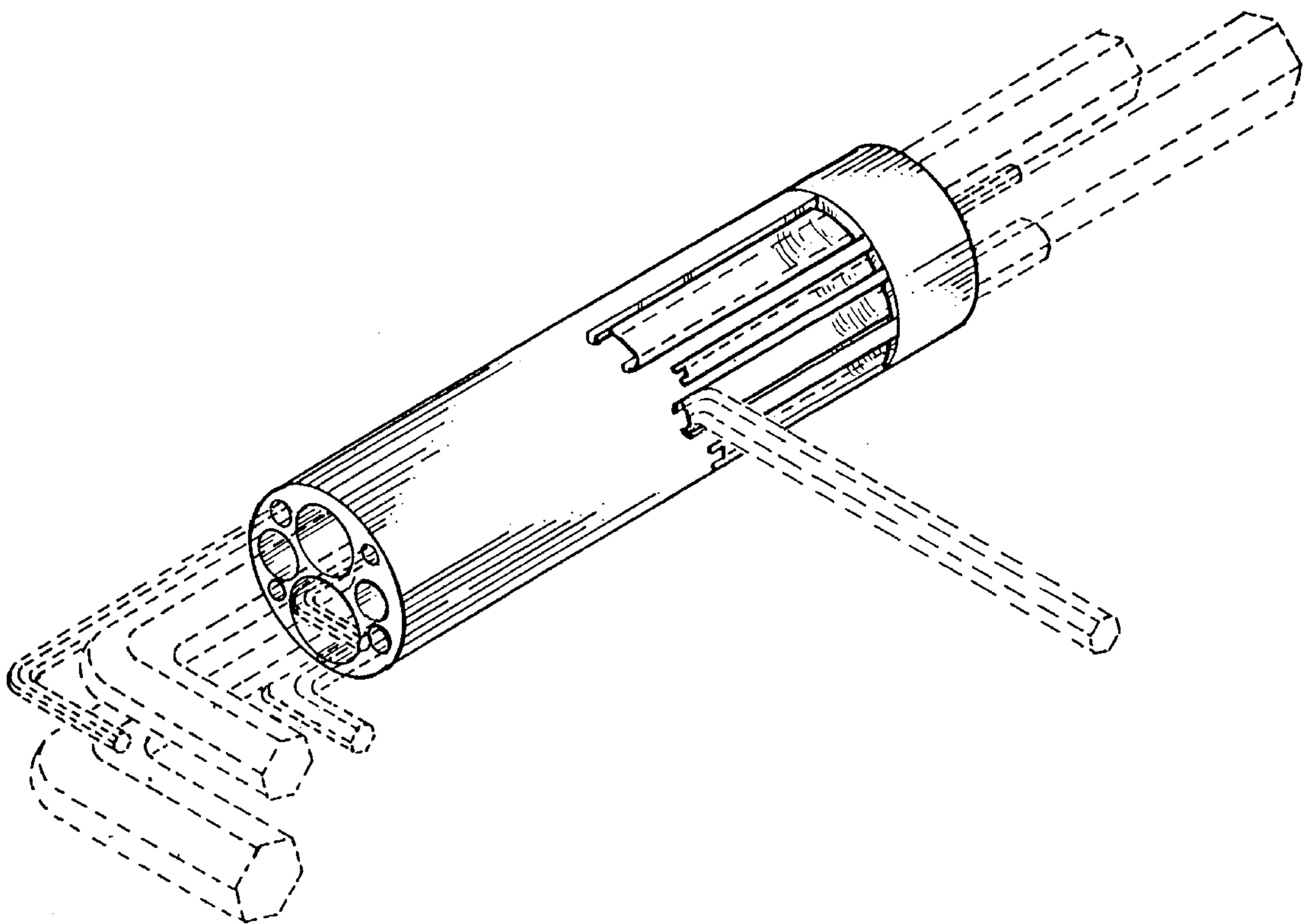
FIG. 8 is a perspective view thereof, the screw drivers depicted by means of broken lines being for illustrative purposes only and forming no part of the claimed design.

[56] **References Cited**

U.S. PATENT DOCUMENTS

D. 332,211	1/1993	Scott, III	D8/105
4,010,663	3/1977	Rydberg	81/440
4,043,230	8/1977	Scrivens	81/439
4,327,790	5/1982	Stevens et al.	81/440

1 Claim, 4 Drawing Sheets



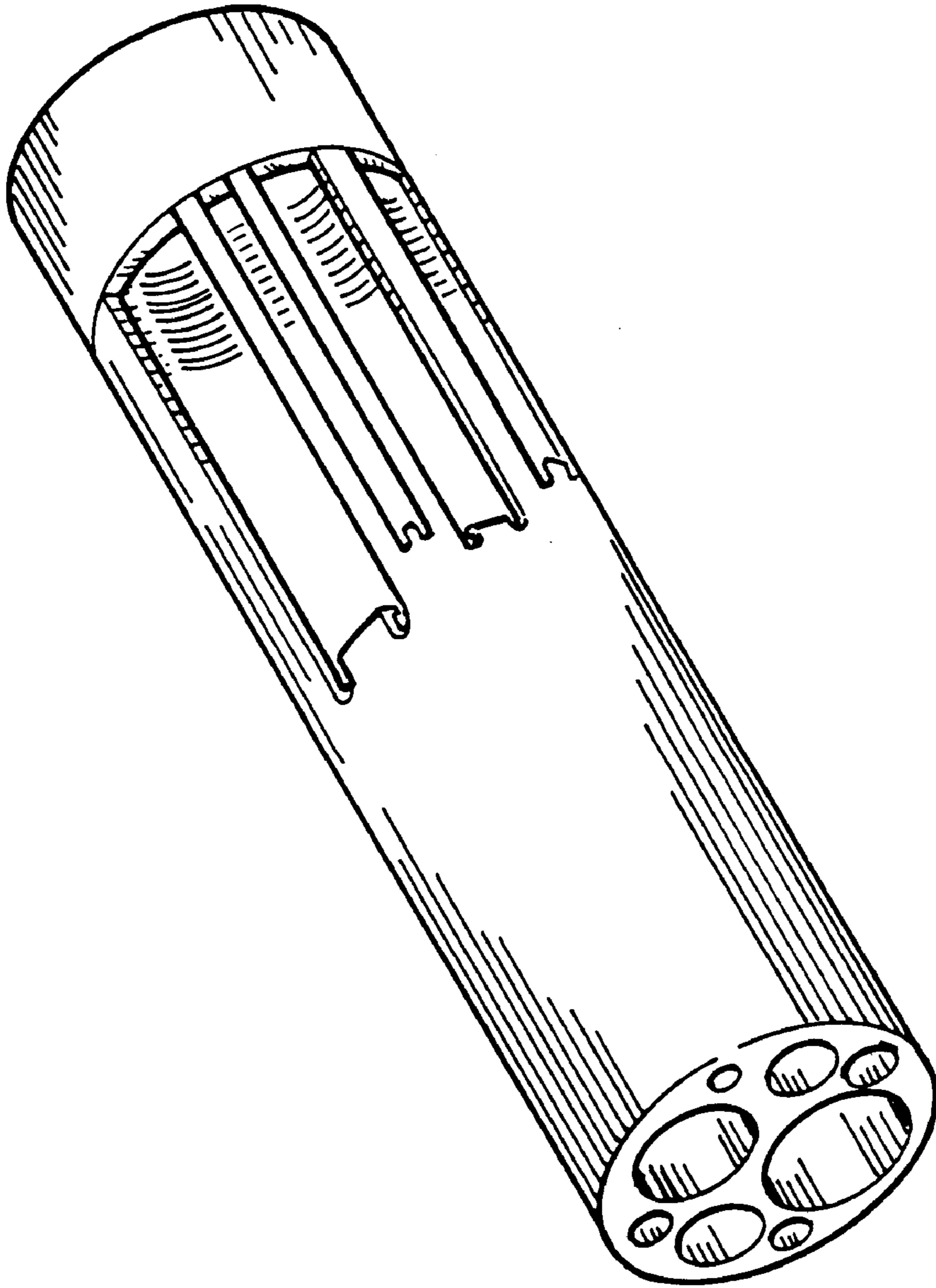


FIG. 1

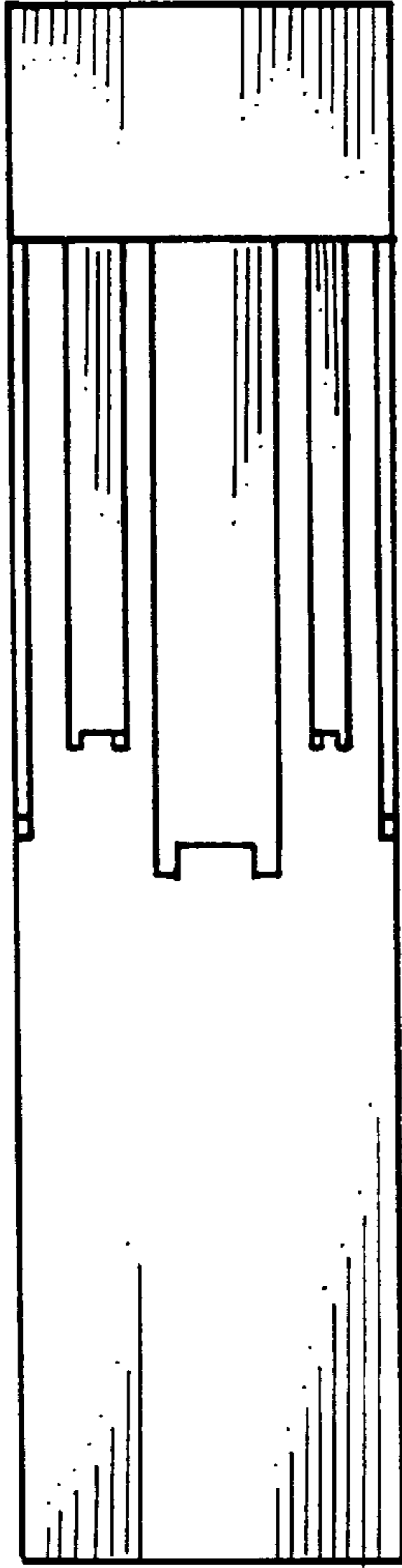


FIG. 2

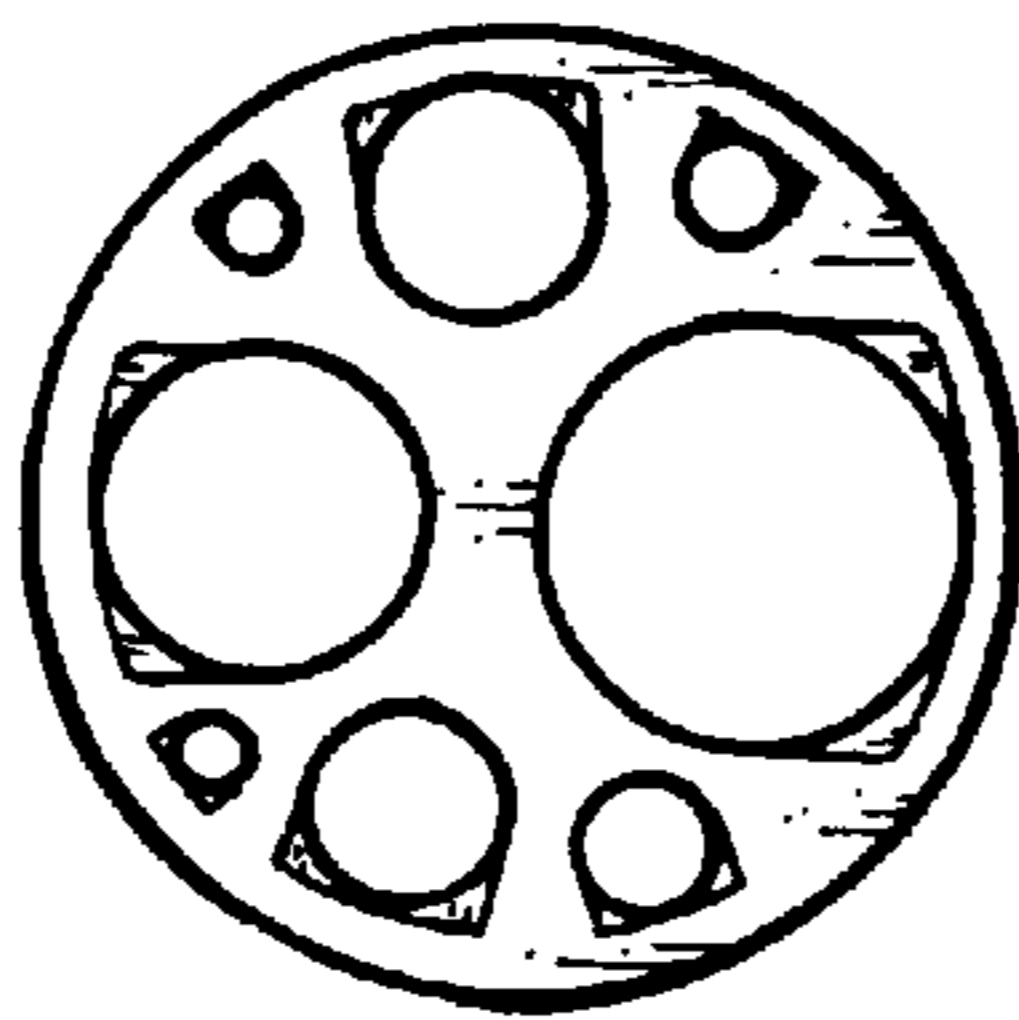


FIG. 7

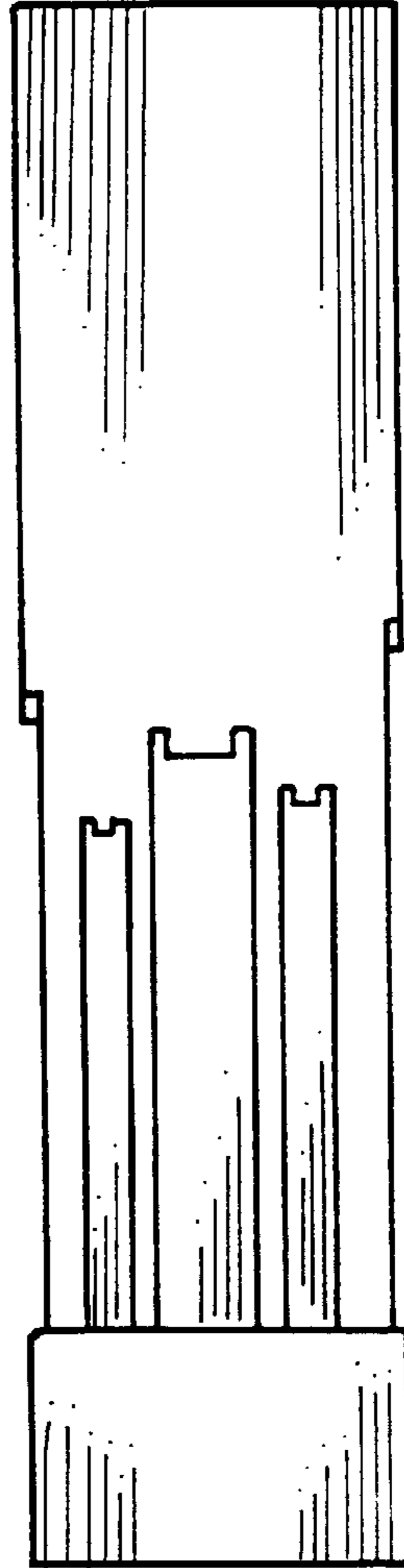


FIG. 3

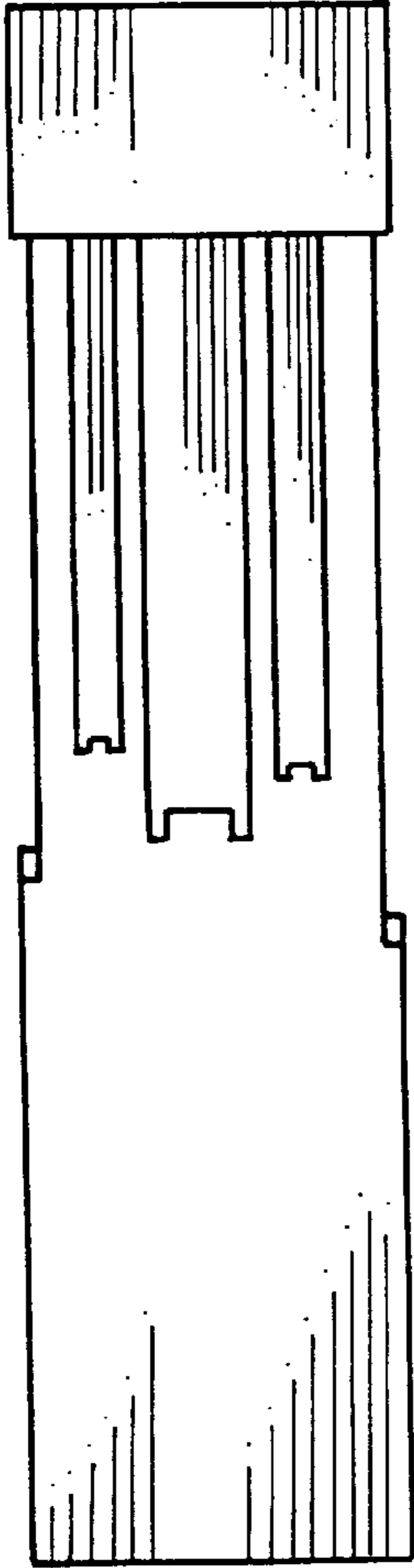


FIG. 4

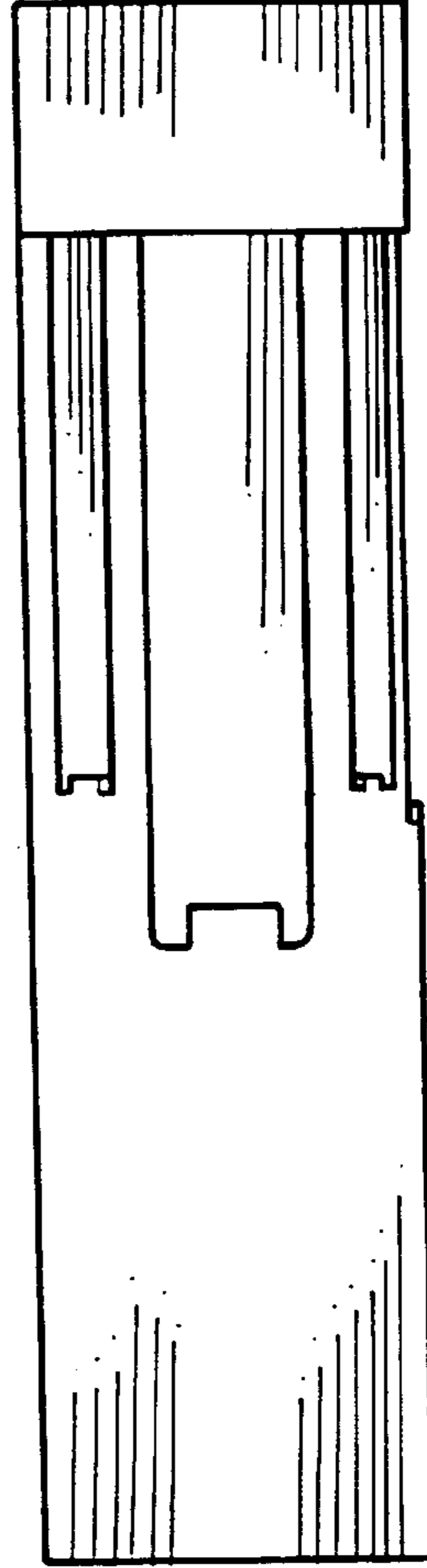


FIG. 5

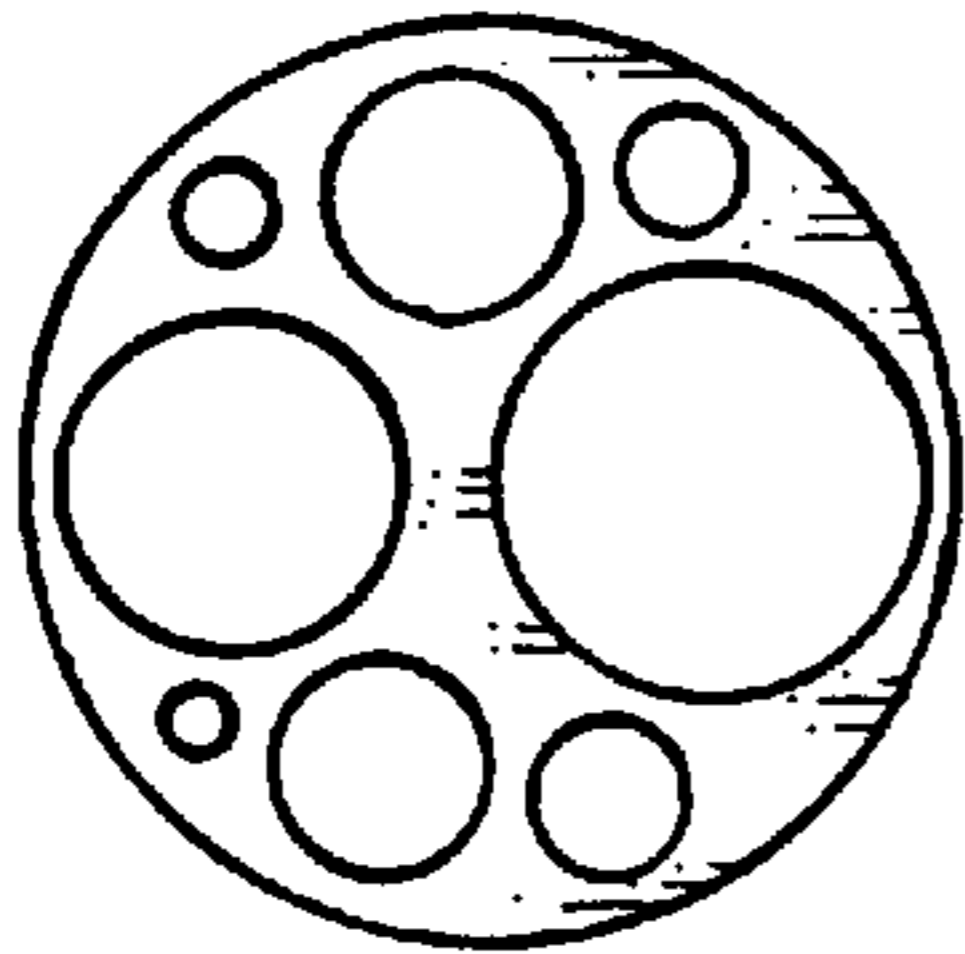


FIG. 6

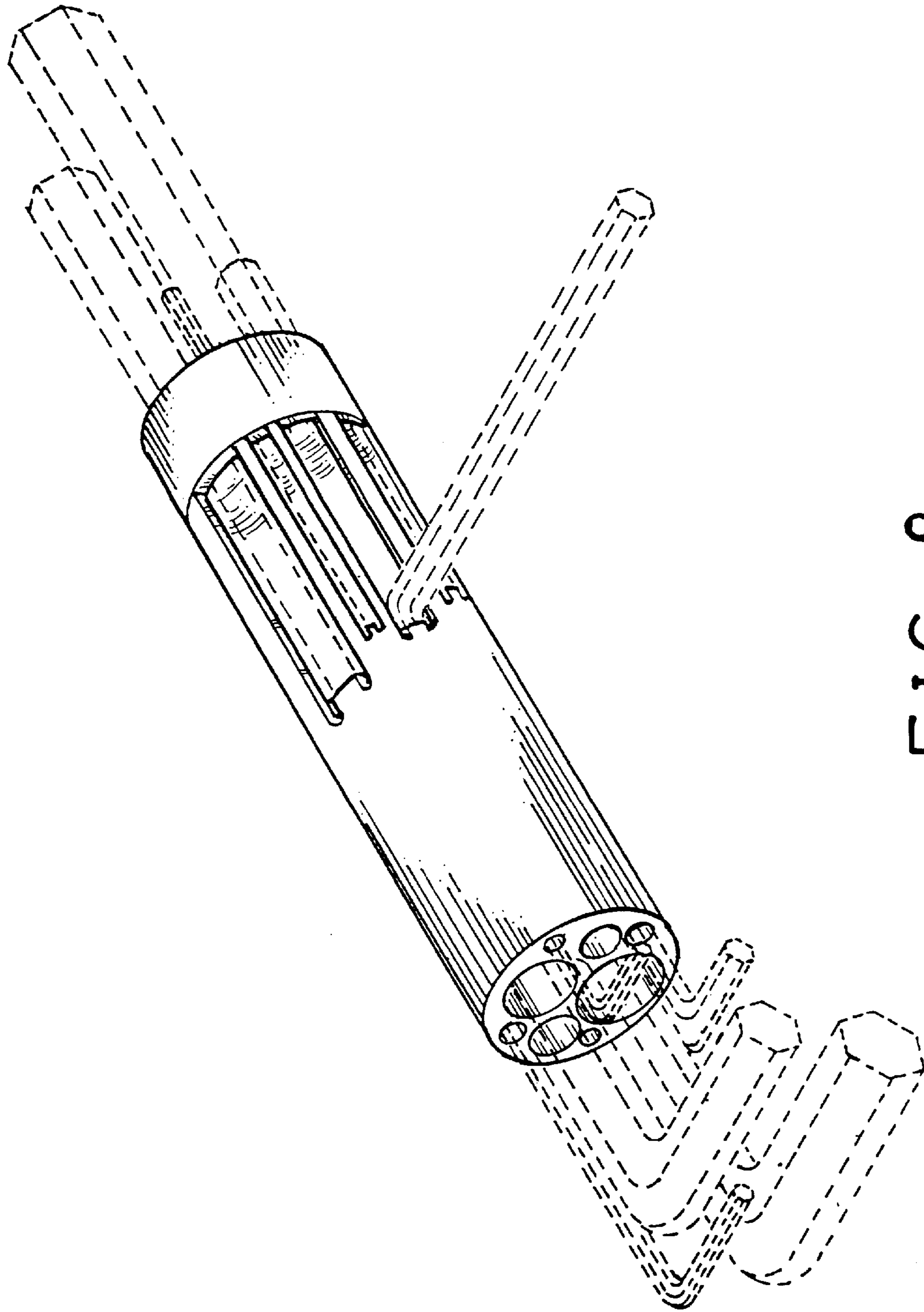


FIG. 8