



US00D415944S

# United States Patent [19] Chung

[11] **Patent Number: Des. 415,944**

[45] **Date of Patent: \*\* Nov. 2, 1999**

[54] **HAND TOOL**

4,815,346 3/1989 Littlehorn ..... 81/440  
5,803,584 9/1998 Cheng ..... 81/440

[76] Inventor: **Chih-Wen Chung**, No.21, Alley 32,  
Lane 64, Lung-Chuan St., Chung-Li  
City, Taiwan

*Primary Examiner*—Philip S. Hyder  
*Attorney, Agent, or Firm*—David & Raymond; Raymond Y.  
Chan

[\*\*] Term: **14 Years**

[57] **CLAIM**

[21] Appl. No.: **29/091,459**

The ornamental design for a hand tool, as shown.

[22] Filed: **Jul. 30, 1998**

**DESCRIPTION**

[51] **LOC (6) Cl.** ..... **08-04**

[52] **U.S. Cl.** ..... **D8/85; D8/105**

[58] **Field of Search** ..... D8/82, 83, 84,  
D8/85, 86, 87, 105; 81/436, 437, 438, 439,  
440; 362/120

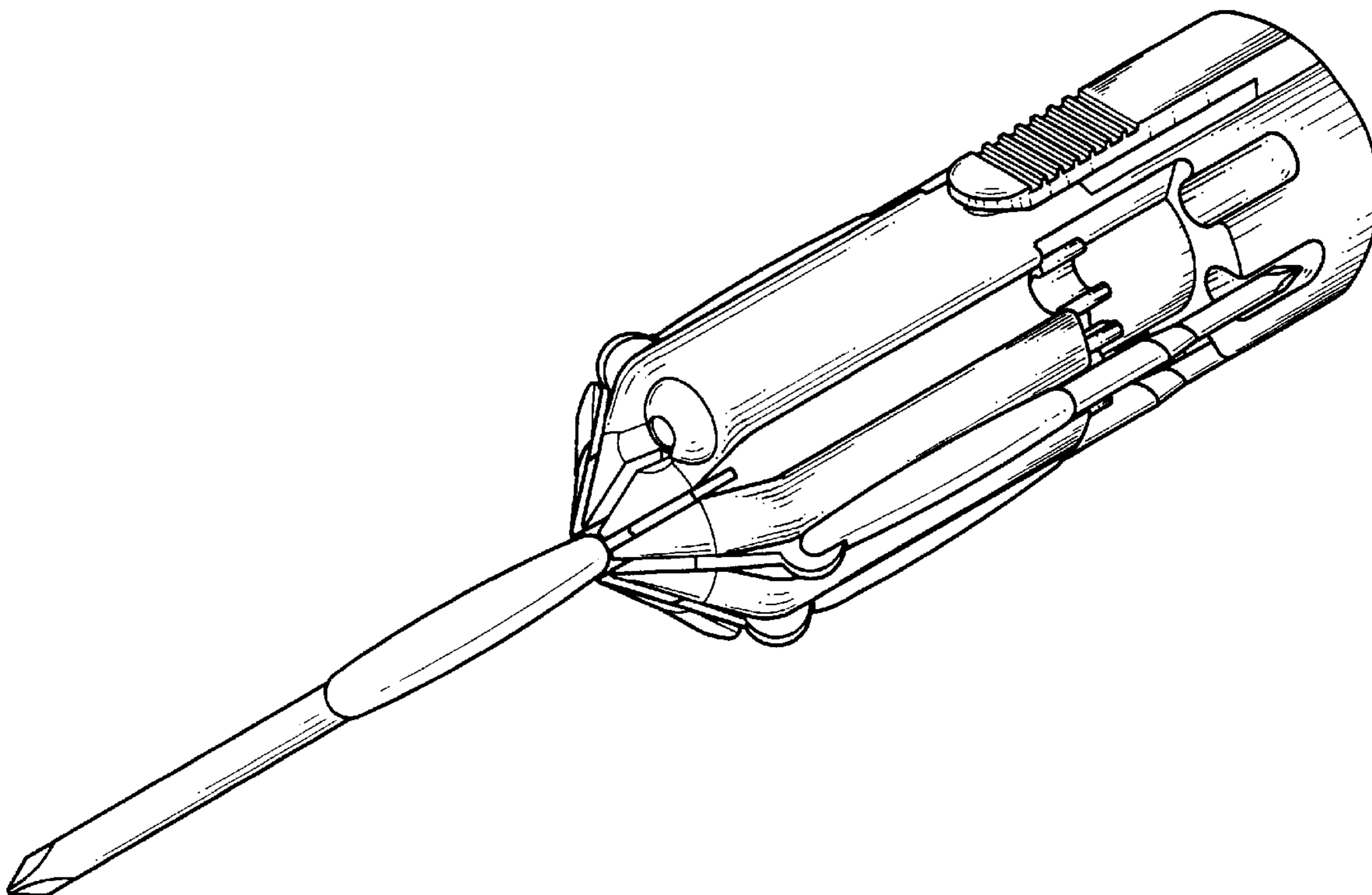
FIG. 1 is a perspective view of a hand tool showing my design;  
FIG. 2 is a front perspective view thereof;  
FIG. 3 is a rear perspective view thereof;  
FIG. 4 is a left side elevation view thereof; and  
FIG. 5 is a right side elevation view thereof.  
FIG. 6 is a top view thereof;  
FIG. 7 is a bottom view thereof; and,  
FIG. 8 is a perspective view thereof, wherein one of the blades has been rotated to the operational position.

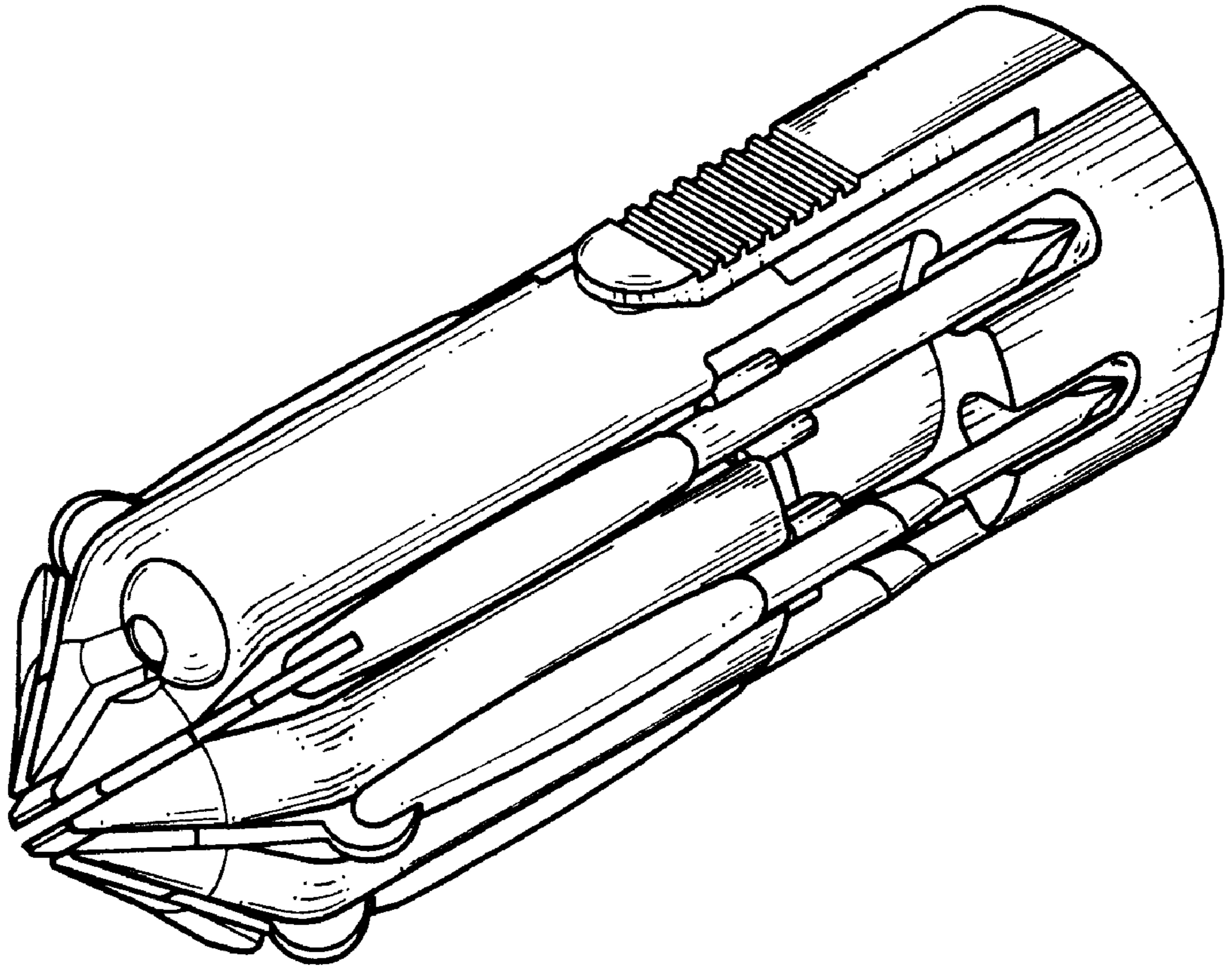
[56] **References Cited**

**U.S. PATENT DOCUMENTS**

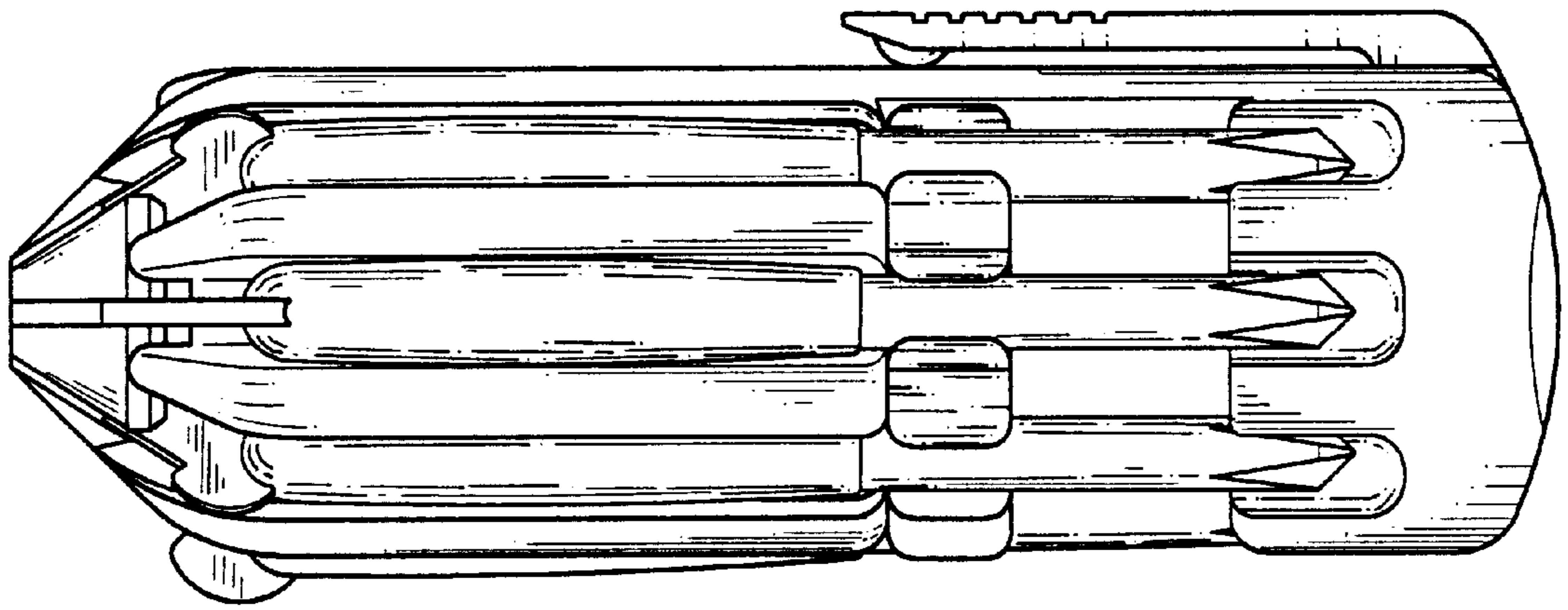
4,010,663 3/1977 Rydberg ..... 81/440  
4,327,790 5/1982 Stevens et al. .... 81/439  
4,440,048 4/1984 Stevens et al. .... 81/440  
4,476,751 10/1984 Mishima ..... 81/440

**1 Claim, 5 Drawing Sheets**

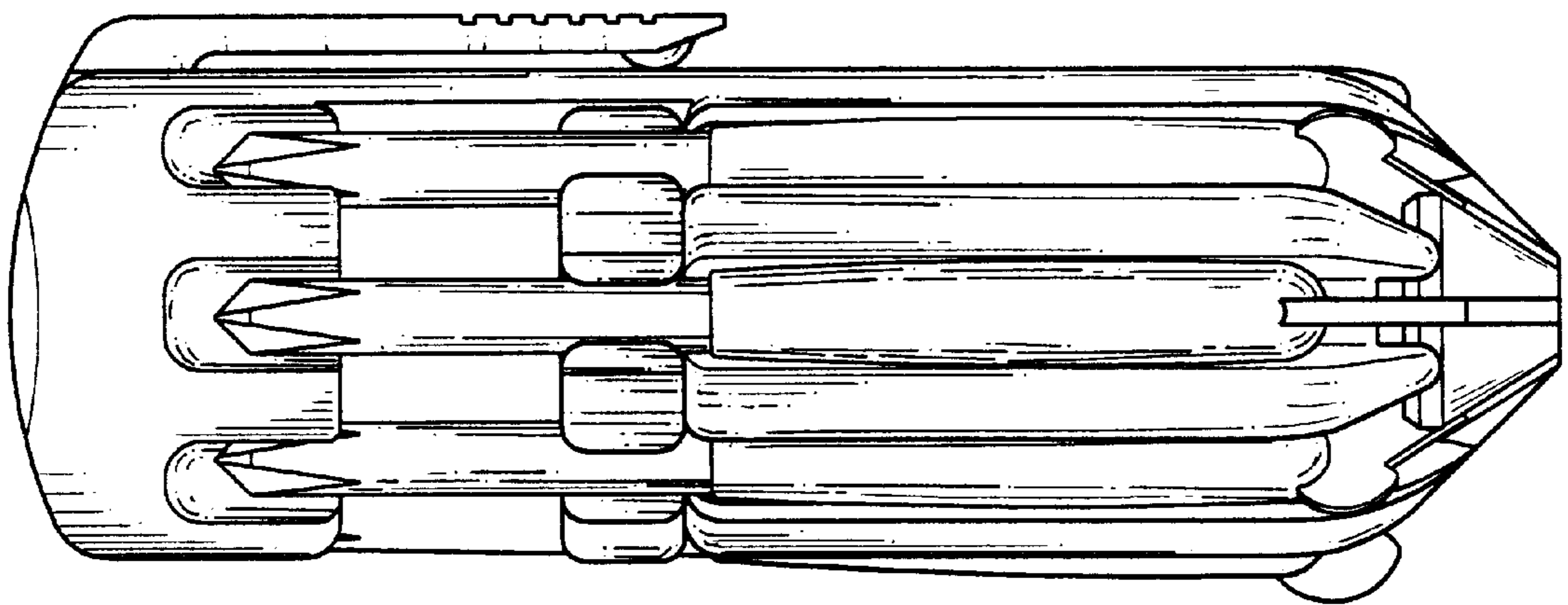




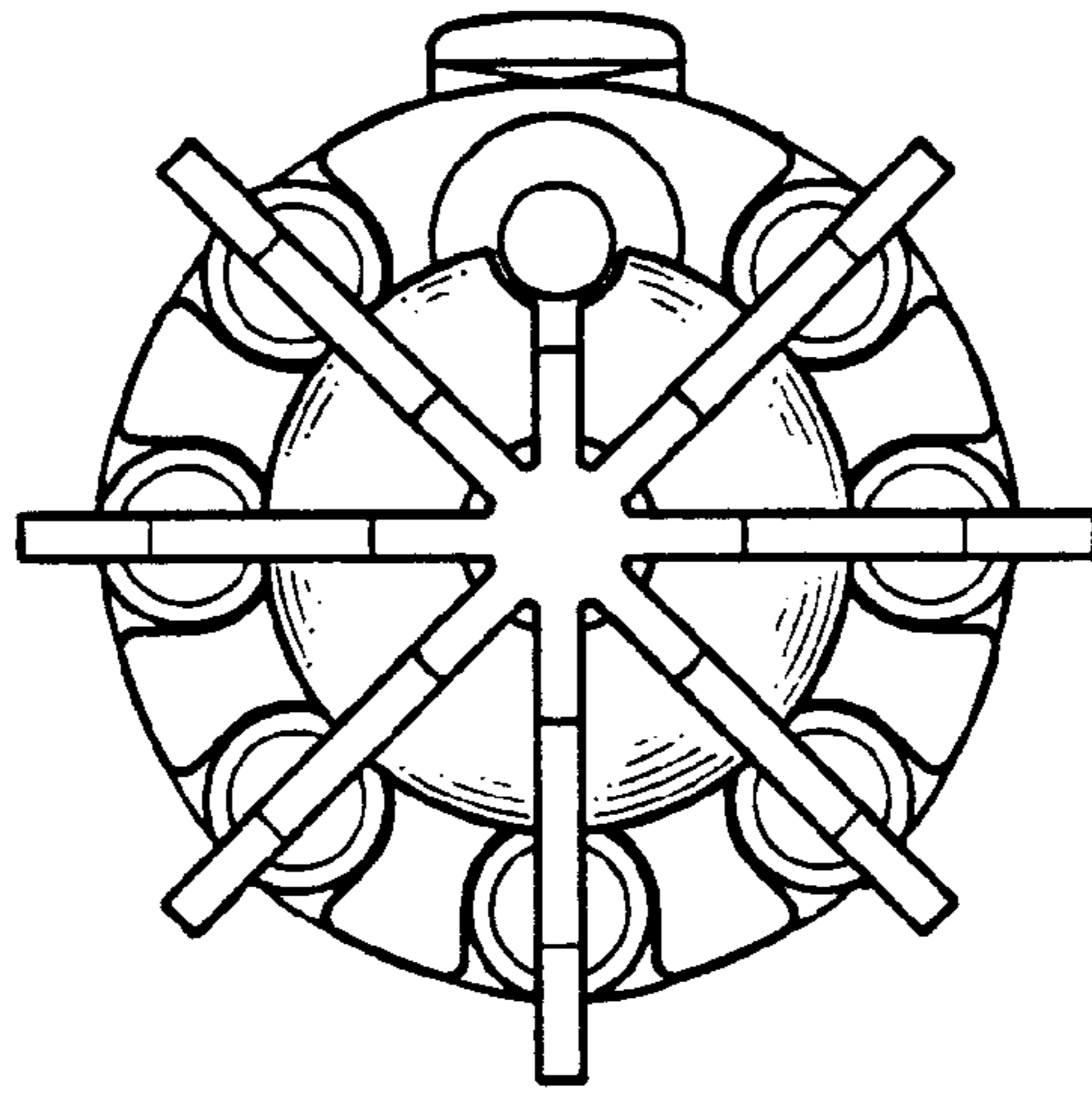
*FIG. 1*



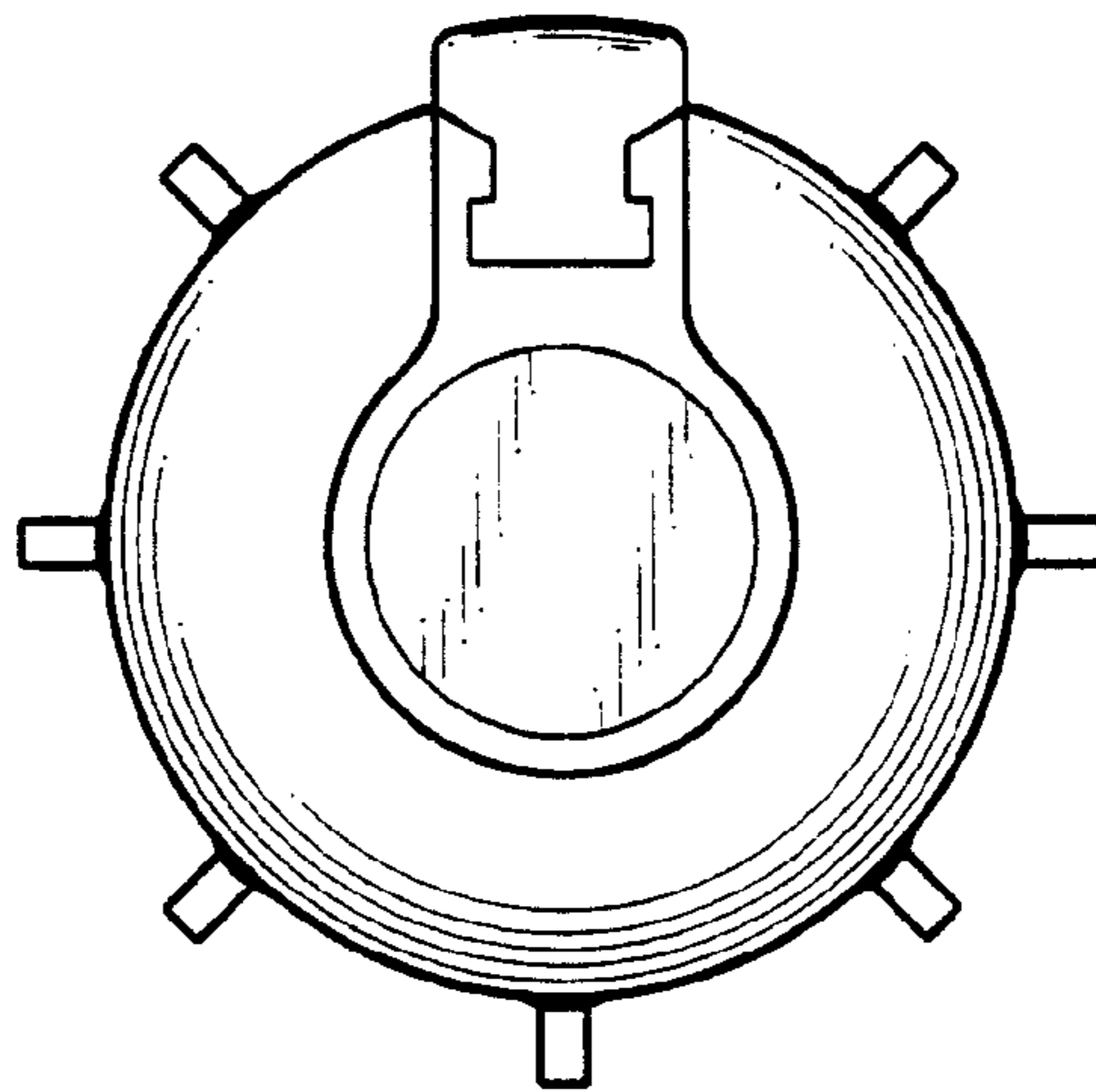
*FIG. 2*



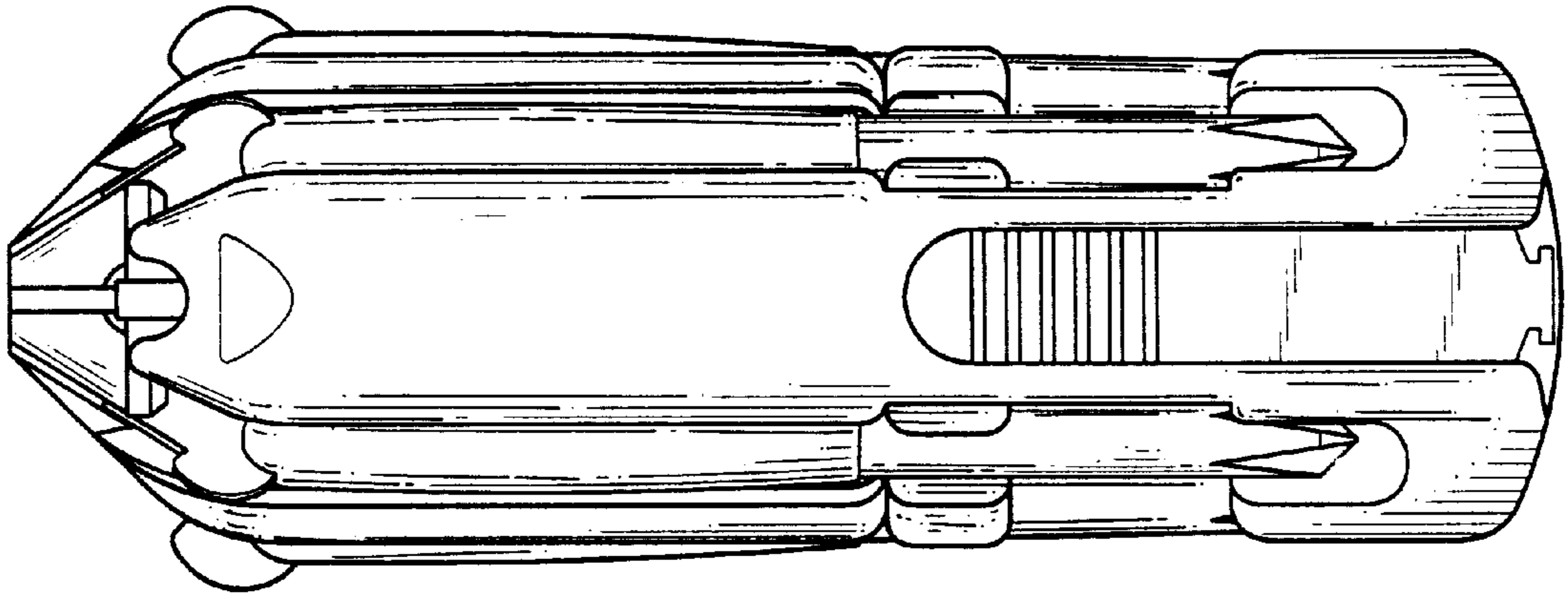
*FIG. 3*



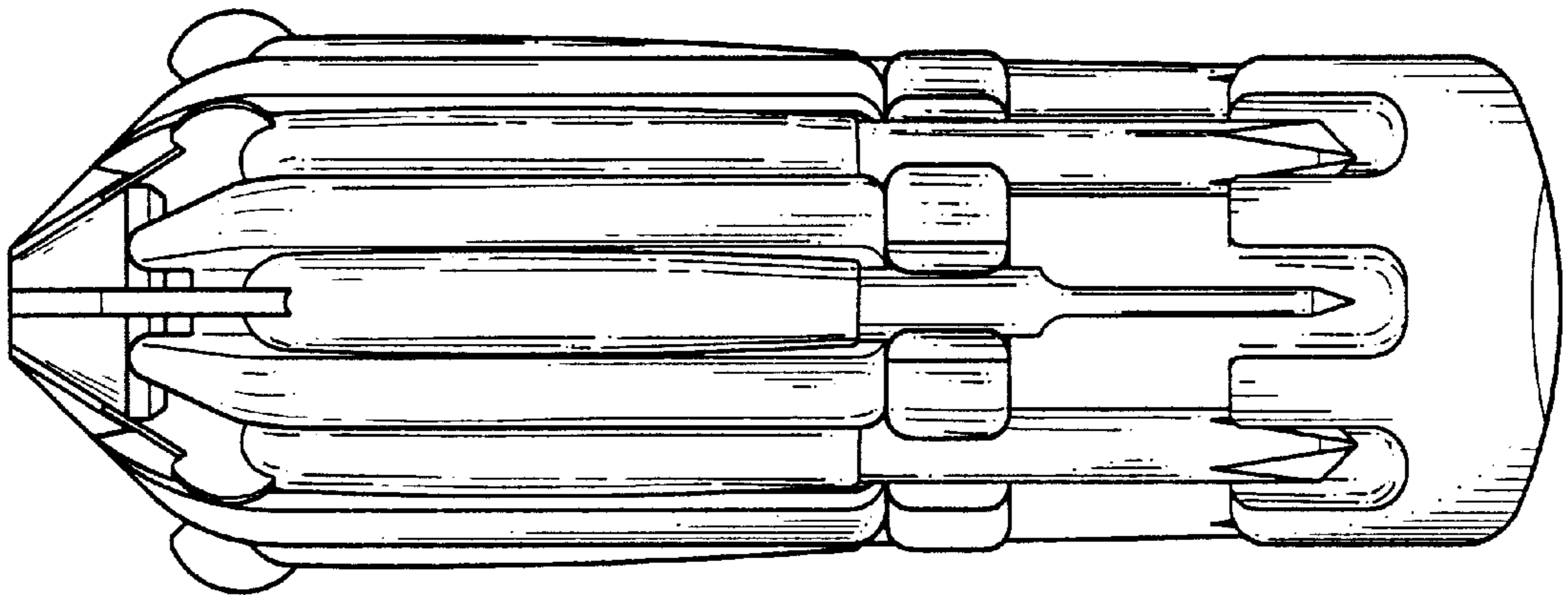
*FIG. 4*



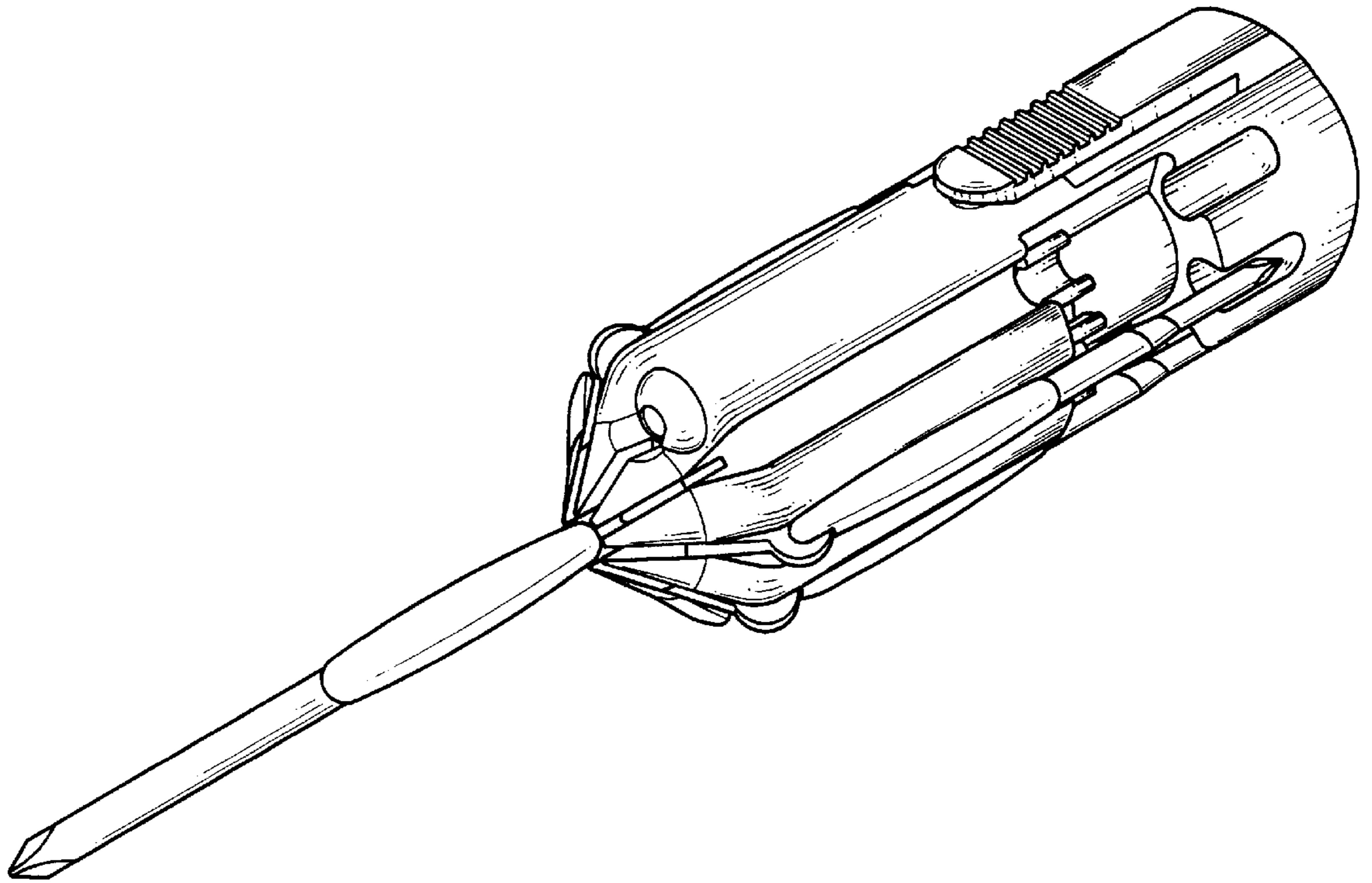
*FIG. 5*



*FIG. 6*



*FIG. 7*



*FIG. 8*