



US00D415942S

# United States Patent [19]

[11] **Patent Number: Des. 415,942**

**Shibata et al.**

[45] **Date of Patent: \*\* Nov. 2, 1999**

[54] **MITER SAW**

D. 388,442	12/1997	Shibata et al. ....	D15/133
D. 399,219	10/1998	Chang .....	D15/133
5,297,463	3/1994	O'Banion et al. ....	83/468.3
5,829,333	11/1998	Itsov .	

[75] Inventors: **Yoshinori Shibata; Hisashi Higuchi; Junichi Masuda**, all of Anjo, Japan

[73] Assignee: **Makita Corporation**, Aichi-ken, Japan

[\*\*] Term: **14 Years**

[21] Appl. No.: **29/099,904**

[22] Filed: **Jan. 29, 1999**

### [30] Foreign Application Priority Data

Jul. 31, 1998 [JP] Japan ..... 10-22090

[51] **LOC (6) Cl.** ..... **08-03**

[52] **U.S. Cl.** ..... **D8/66; D15/133**

[58] **Field of Search** ..... D8/61, 66-69; D15/133; 30/377-378, 388-391; 83/471.1-471.3, 397, 468.3, 477, 481

### [56] References Cited

#### U.S. PATENT DOCUMENTS

D. 345,743	4/1994	Garcia .....	D15/133
D. 374,803	10/1996	Terpstra et al. ....	D8/66
D. 383,472	9/1997	Higuchi et al. ....	D15/133
D. 383,765	9/1997	Kani et al. ....	D15/133

#### FOREIGN PATENT DOCUMENTS

872777 7/1993 Japan .

*Primary Examiner*—Nelson C. Holtje

*Attorney, Agent, or Firm*—Dennison, Meserole, Scheiner & Schultz

### [57] CLAIM

The ornamental design for a miter saw, as shown and described.

### DESCRIPTION

FIG. 1 is a perspective view of a miter saw showing our new design;

FIG. 2 is a front elevation view thereof;

FIG. 3 is a rear elevation view thereof;

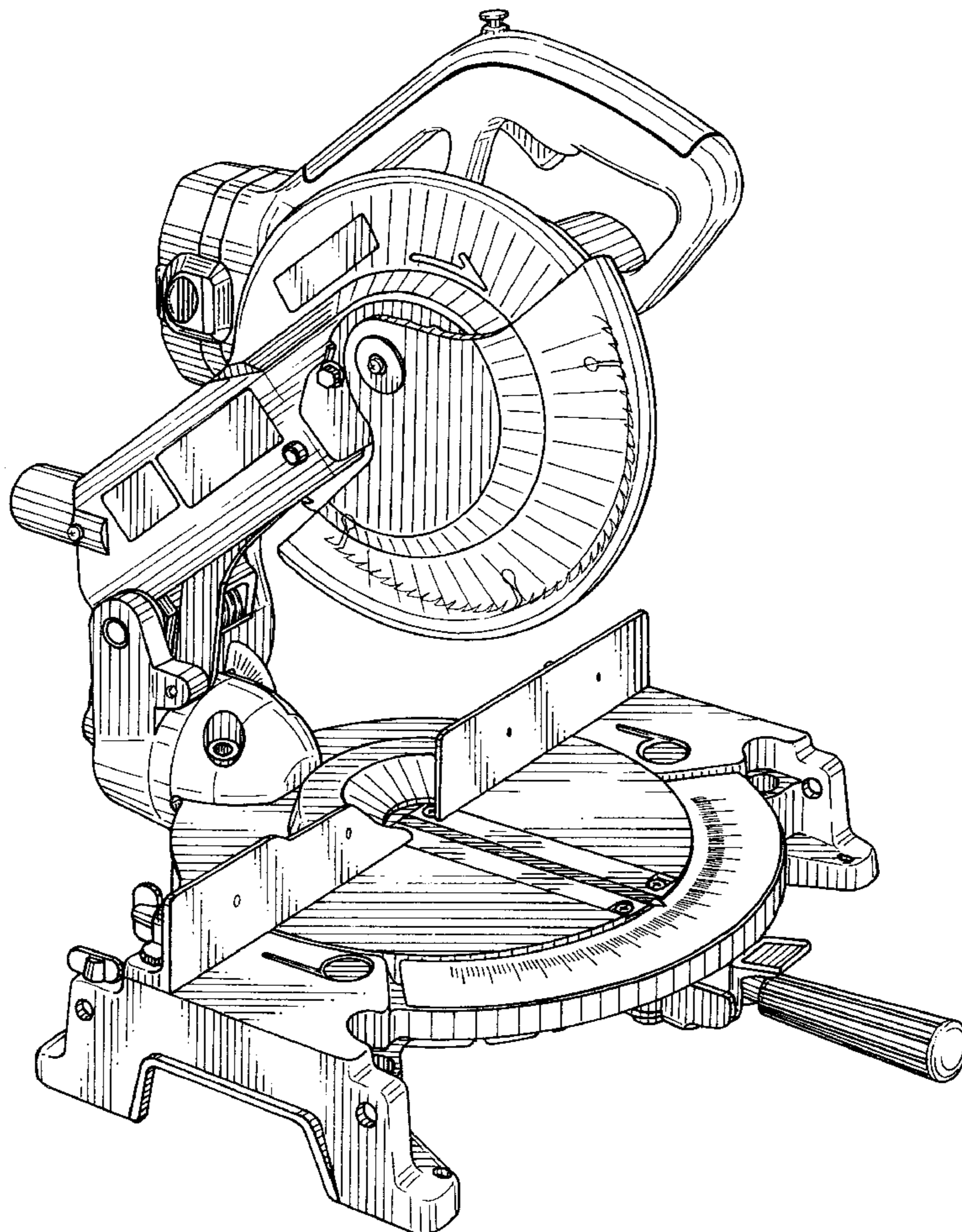
FIG. 4 is a left side elevation view thereof;

FIG. 5 is a right side elevation view thereof;

FIG. 6 is a top plan view thereof; and,

FIG. 7 is a bottom view thereof.

**1 Claim, 7 Drawing Sheets**



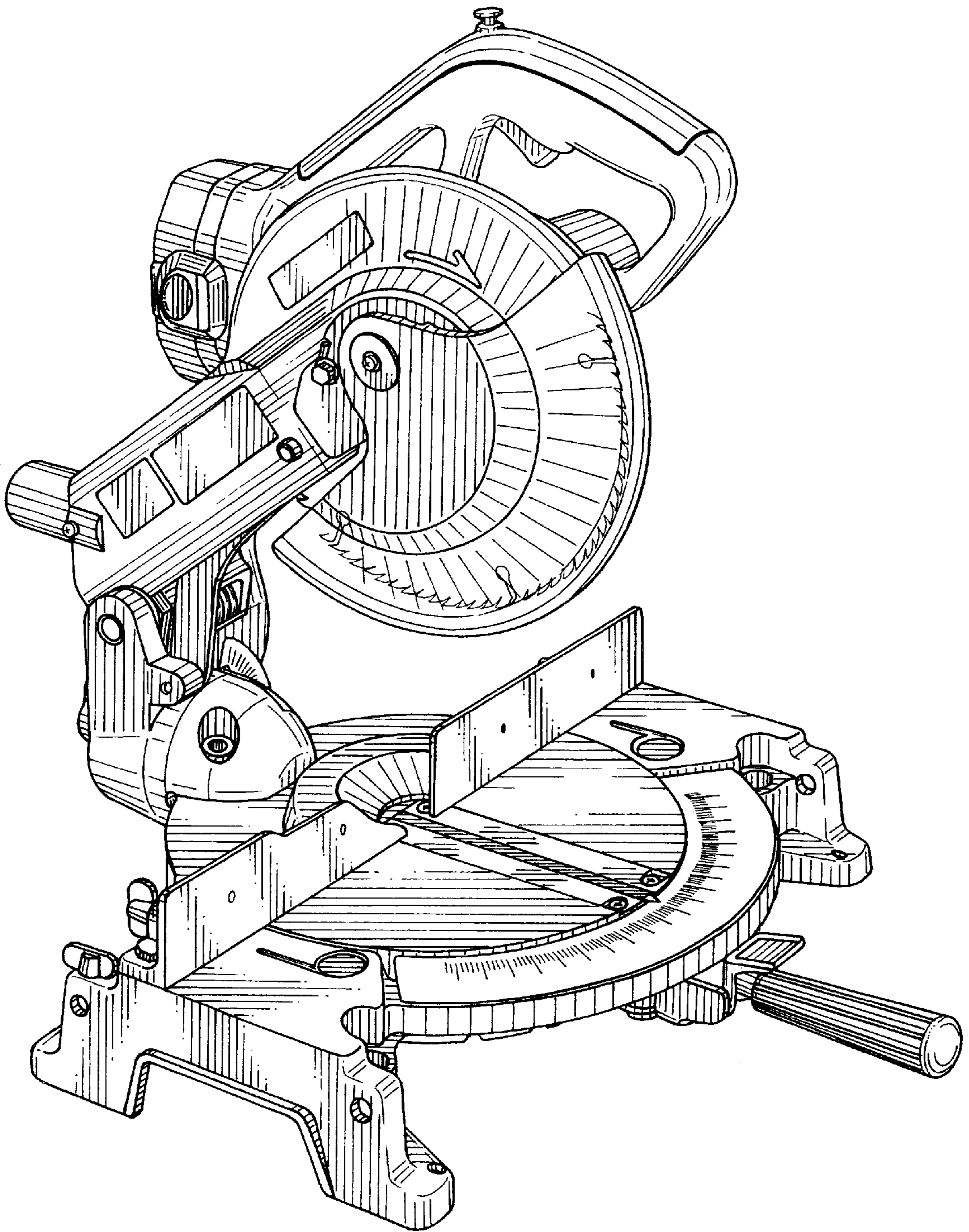


FIG. 1

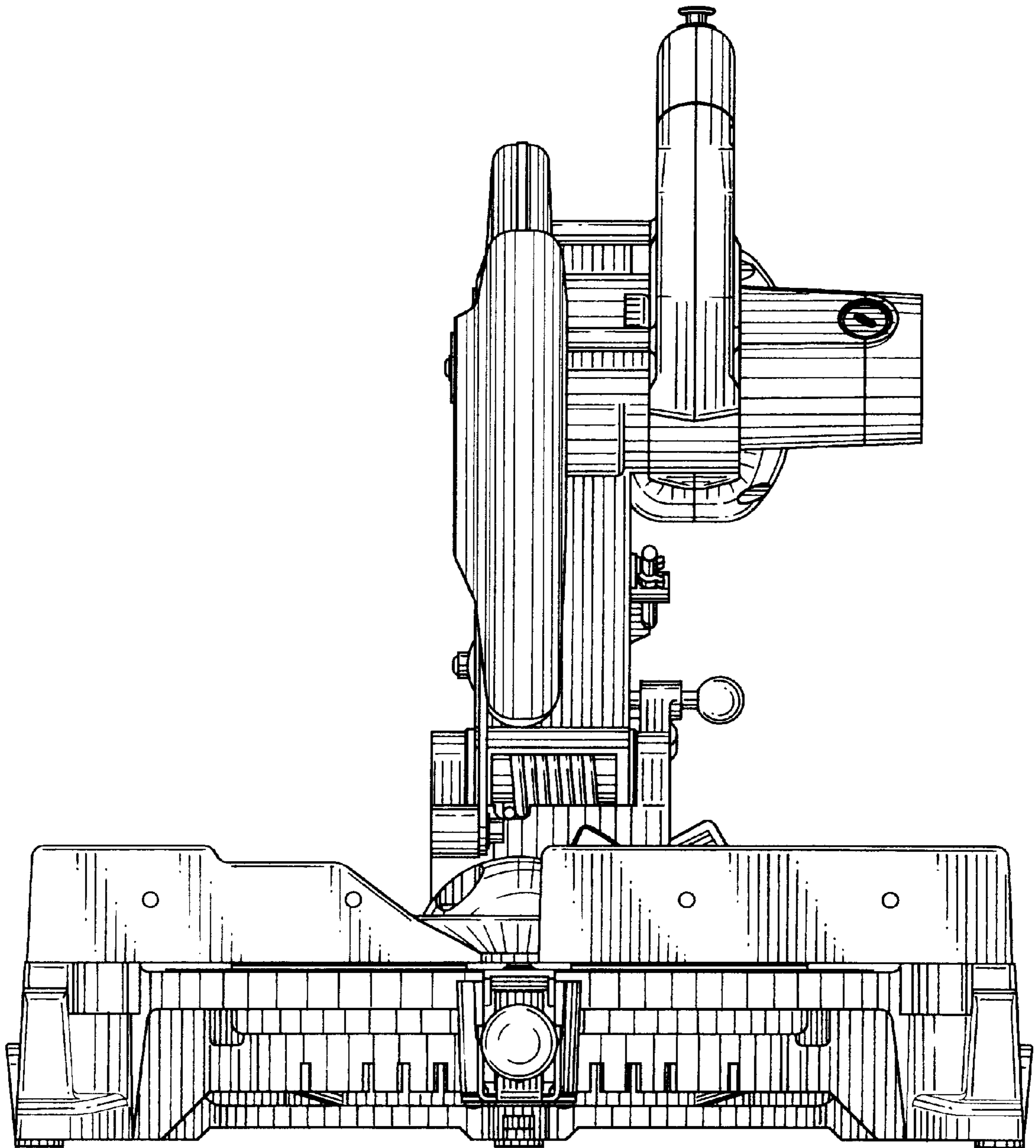


FIG. 2

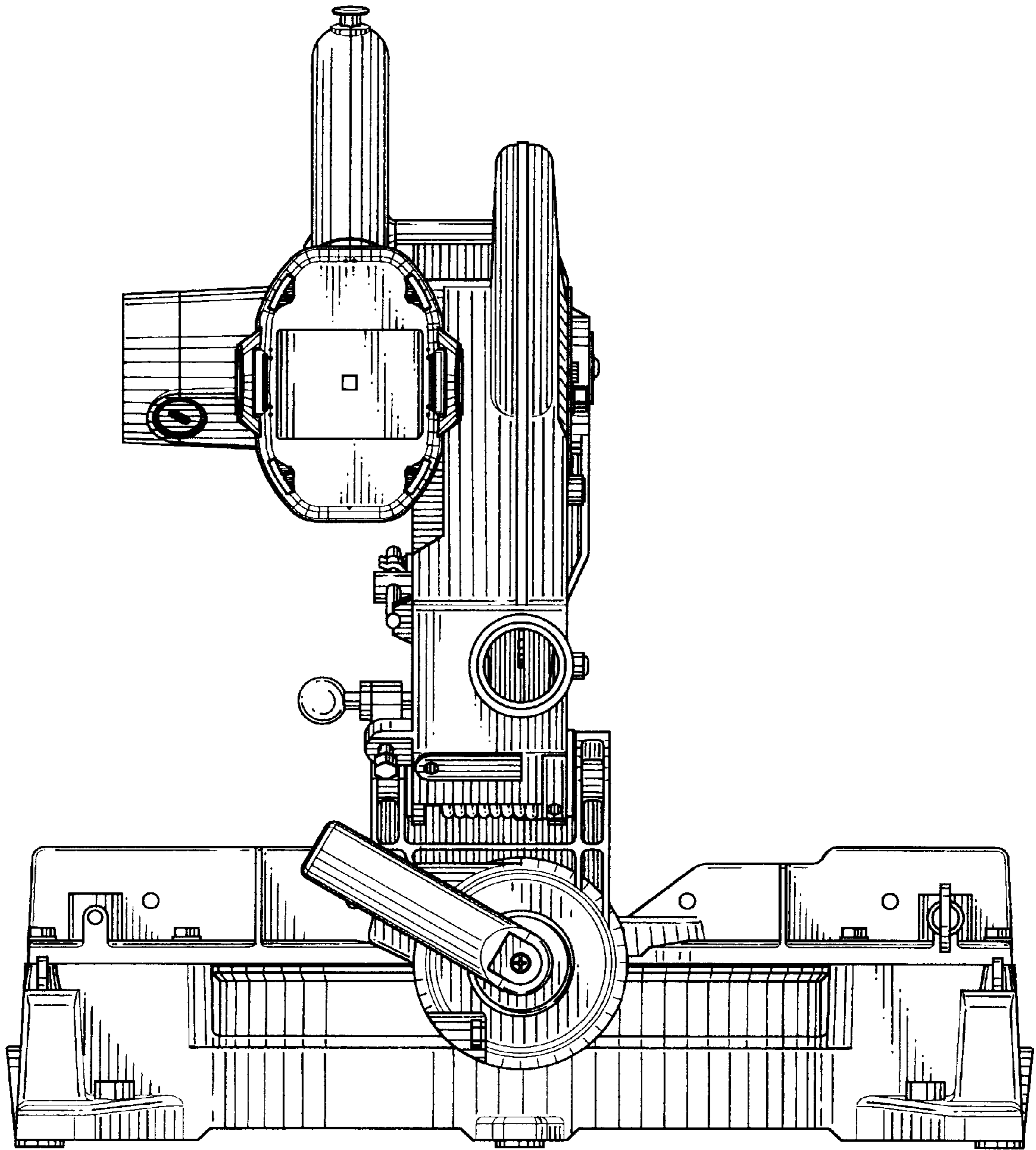


FIG. 3

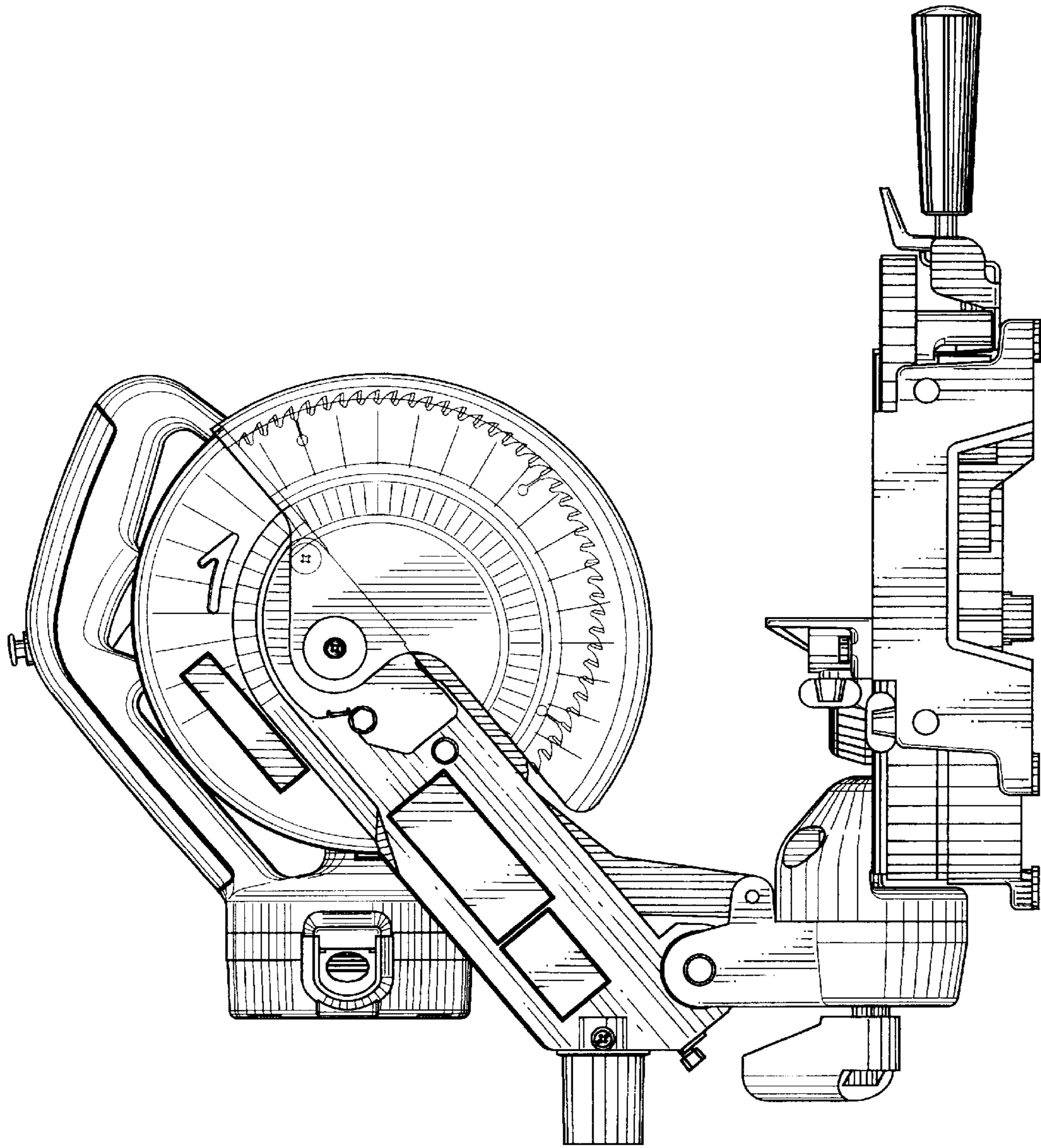


FIG. 4

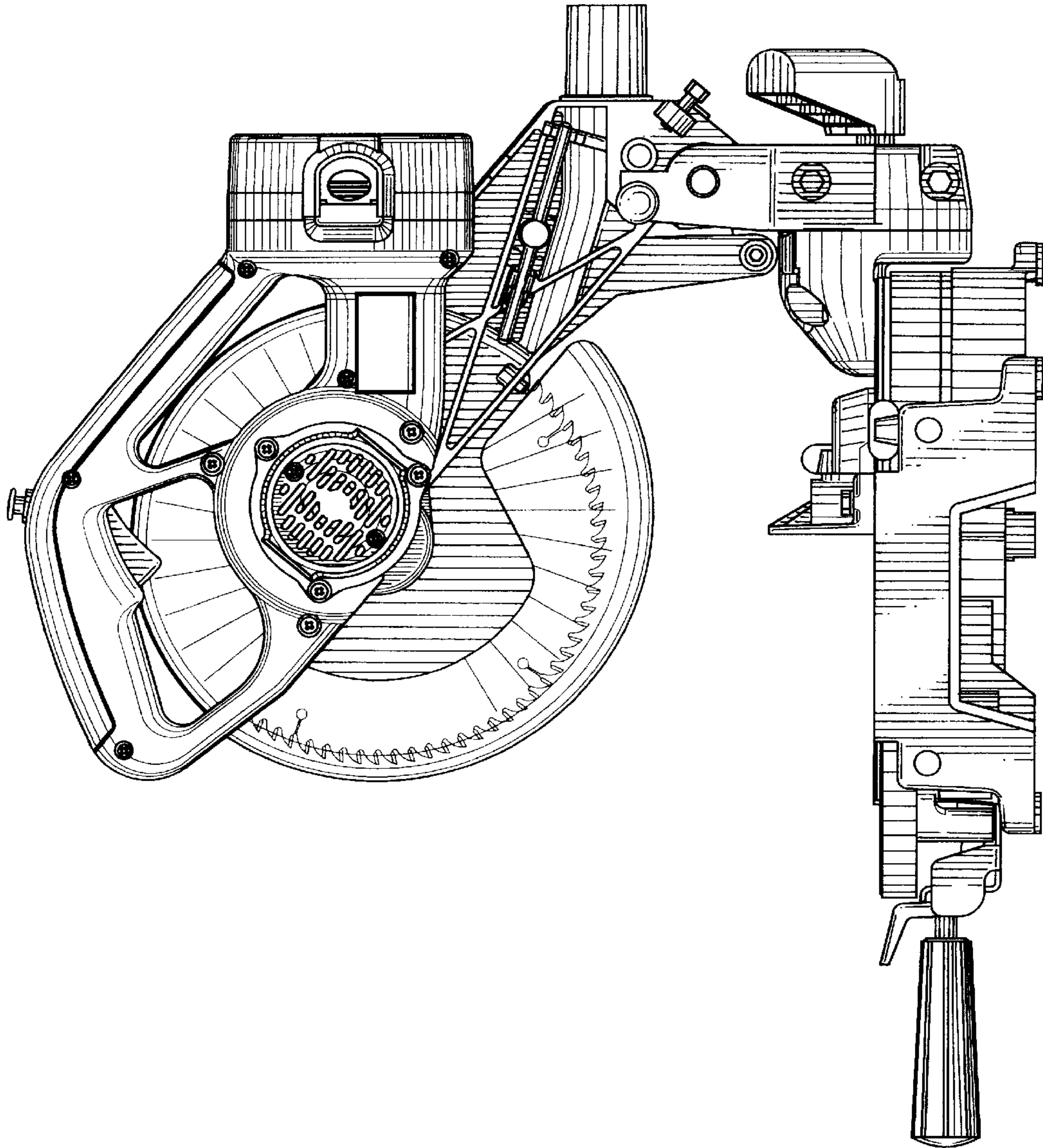


FIG. 5

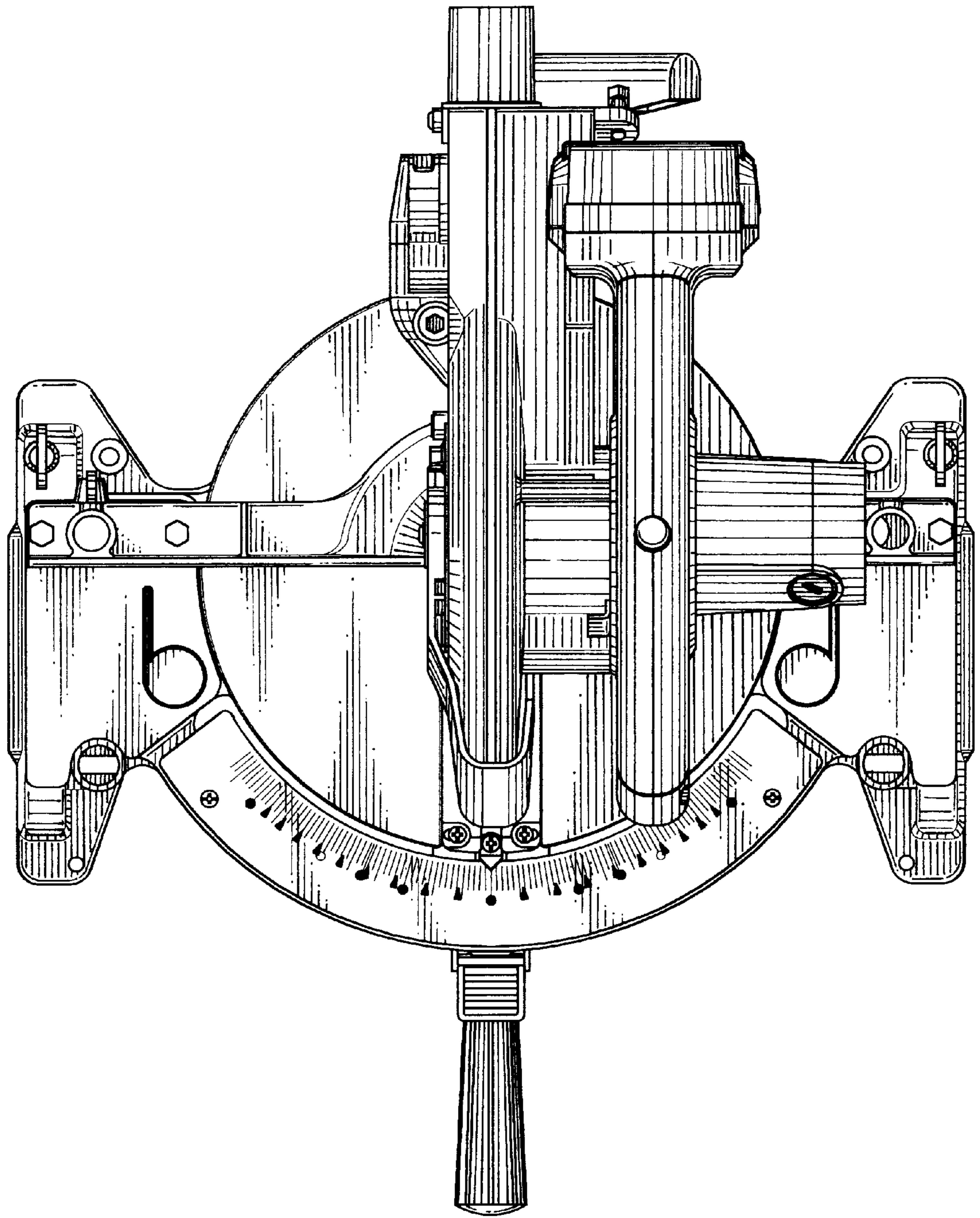


FIG. 6

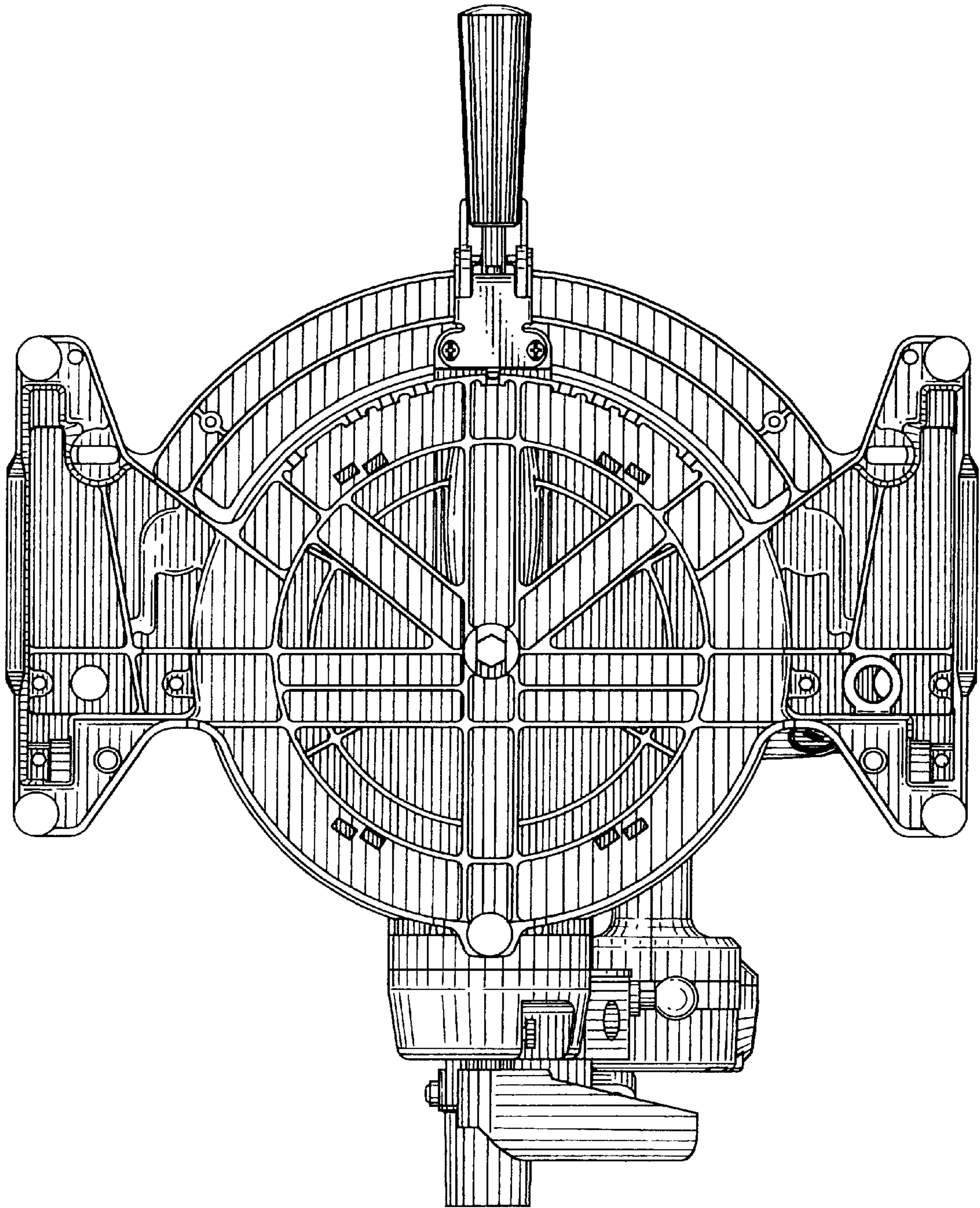


FIG. 7