



US00D415940S

United States Patent [19] Hollingsworth

[11] **Patent Number: Des. 415,940**

[45] **Date of Patent: ** Nov. 2, 1999**

[54] **WIRE AND CABLE STRIPPER**

4,951,393 8/1990 Wallace 81/9.4
5,469,762 11/1995 Krampe 81/9.4

[76] Inventor: **Elmont E Hollingsworth**, 12100
Wander La., Austin, Tex. 78750

Primary Examiner—James Gandy
Assistant Examiner—Reid Hecker

[**] Term: **14 Years**

[57] **CLAIM**

[21] Appl. No.: **29/094,250**

The ornamental design for a wire and cable stripper, as shown.

[22] Filed: **Sep. 29, 1998**

DESCRIPTION

[51] **LOC (6) Cl.** **08-05**

[52] **U.S. Cl.** **D8/56**

[58] **Field of Search** D8/14, 51, 52,
D8/56, 98; 81/9.4

FIG. 1 is a top plan view of a wire and cable stripper of my new design;

FIG. 2 is a front elevation view, the rear being a mirror image thereof;

FIG. 3 is a bottom plan view;

FIG. 4 is a left elevation view; and,

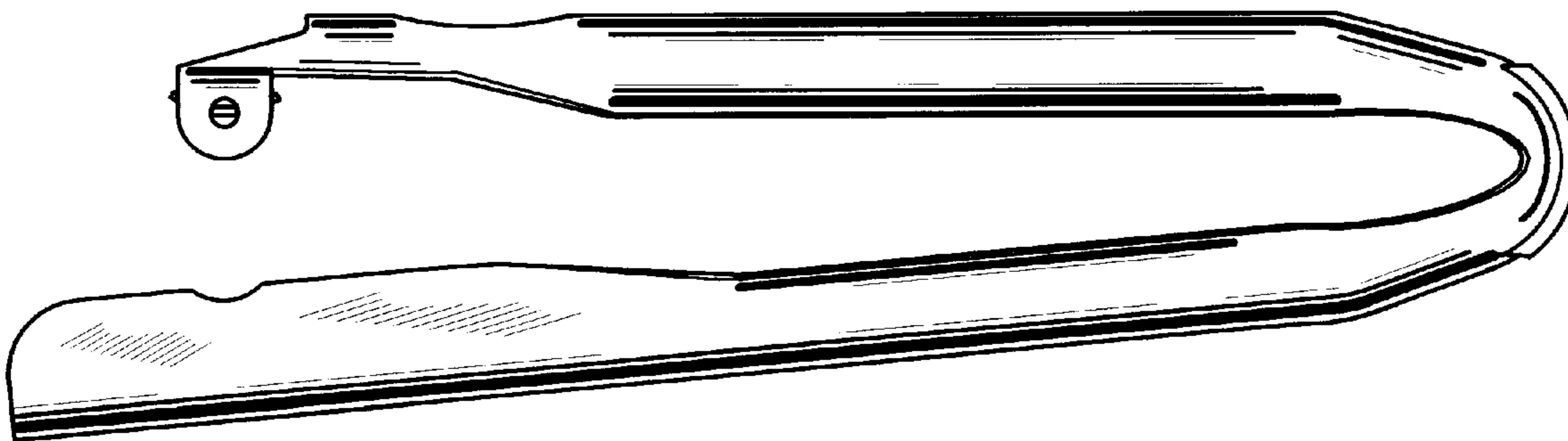
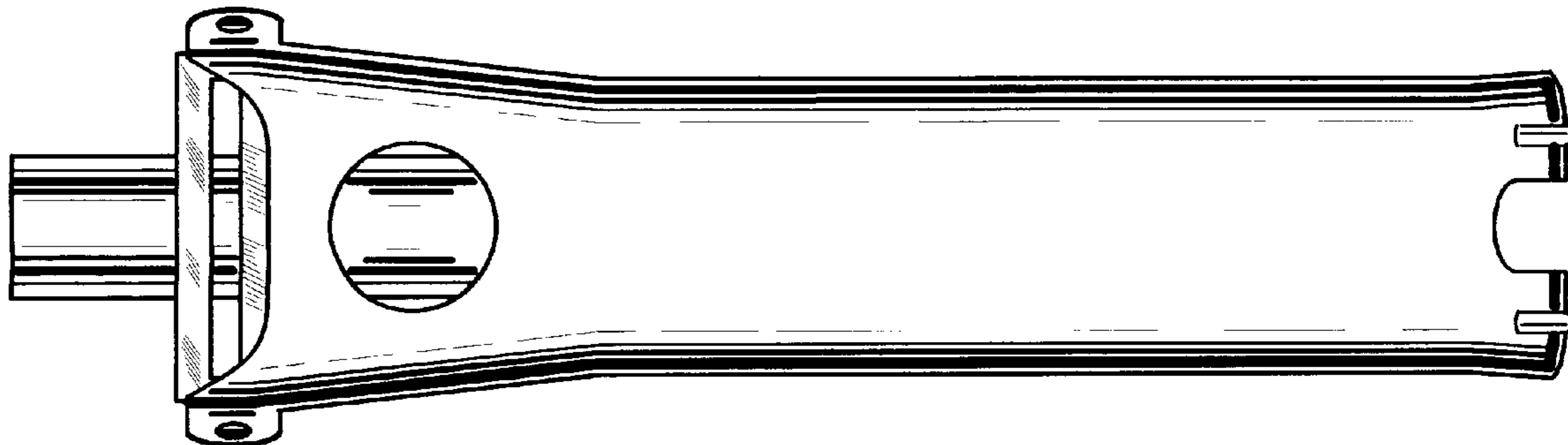
FIG. 5 is a right elevation view.

[56] **References Cited**

U.S. PATENT DOCUMENTS

D. 152,374 1/1949 Score D8/56
1,065,679 6/1913 Gregson et al. 81/9.4

1 Claim, 1 Drawing Sheet



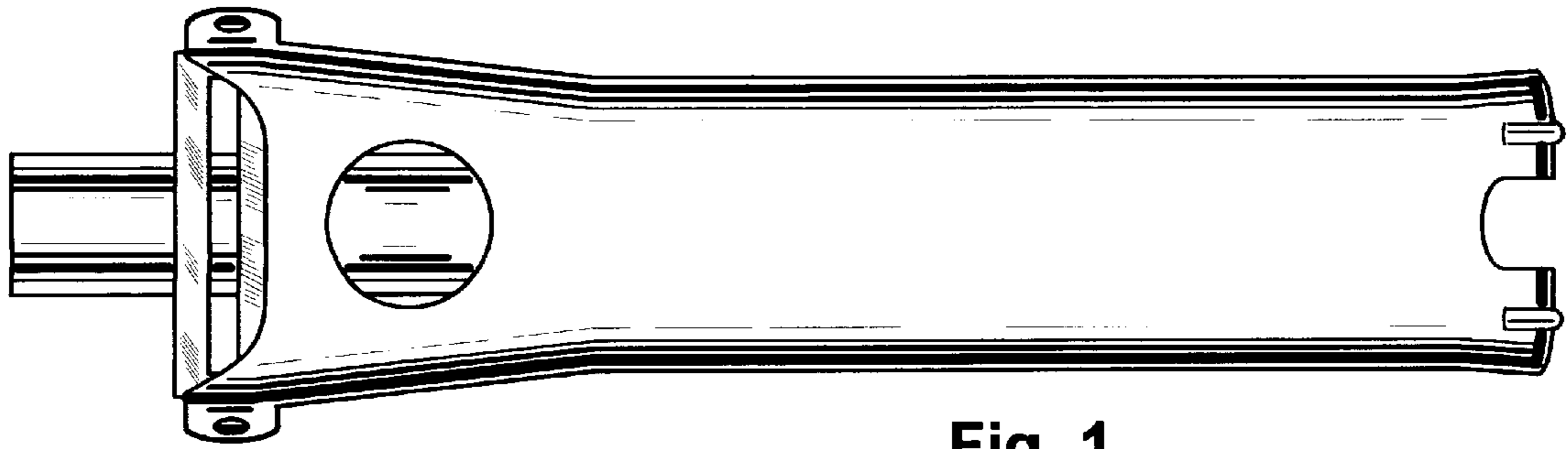


Fig. 1

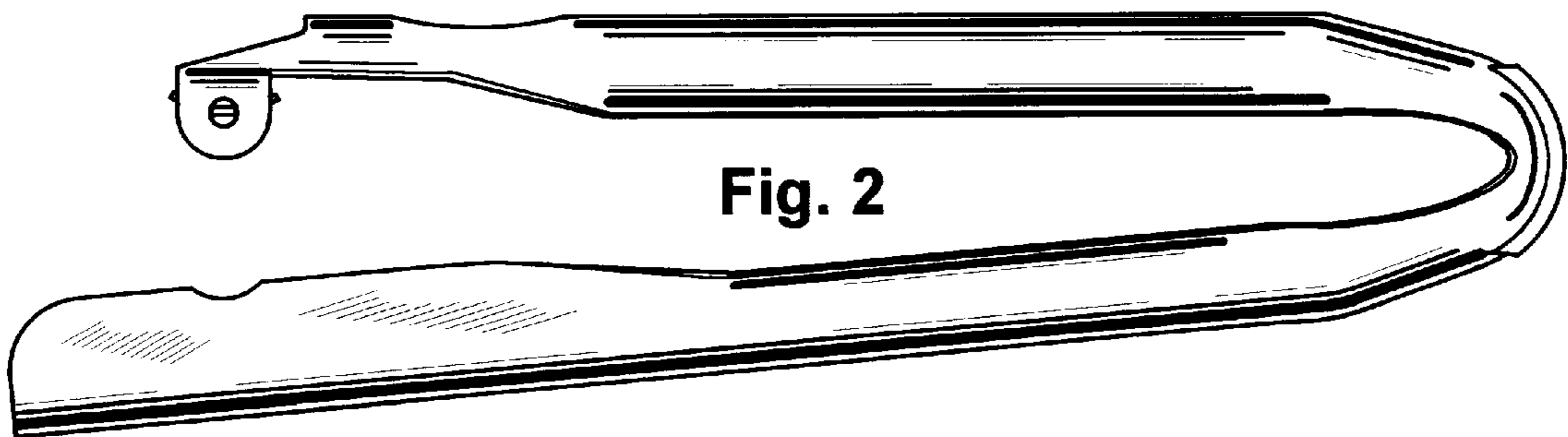


Fig. 2

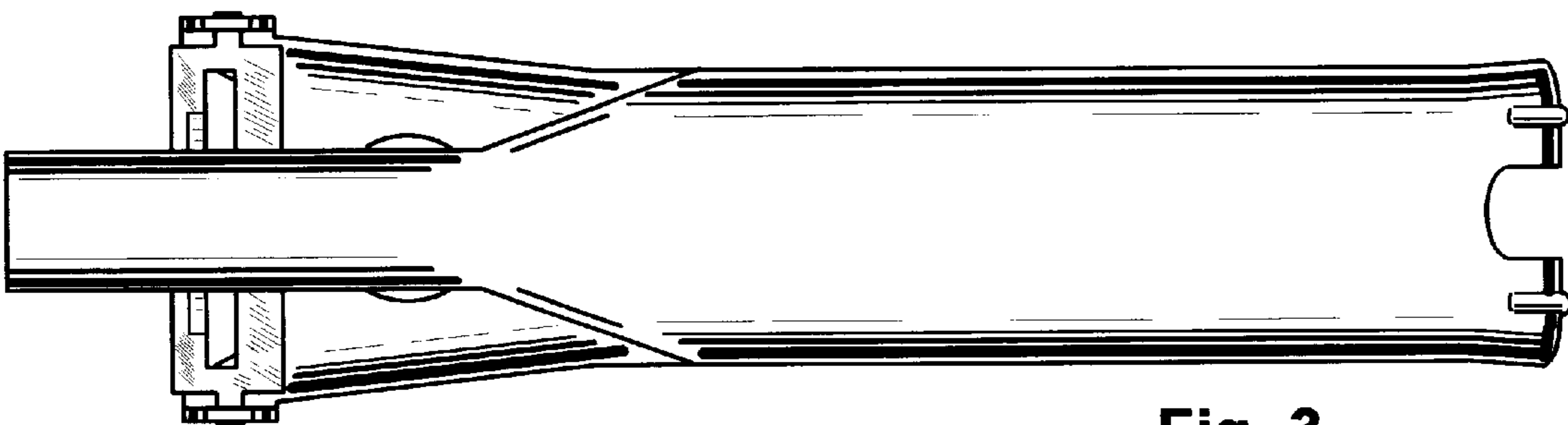


Fig. 3

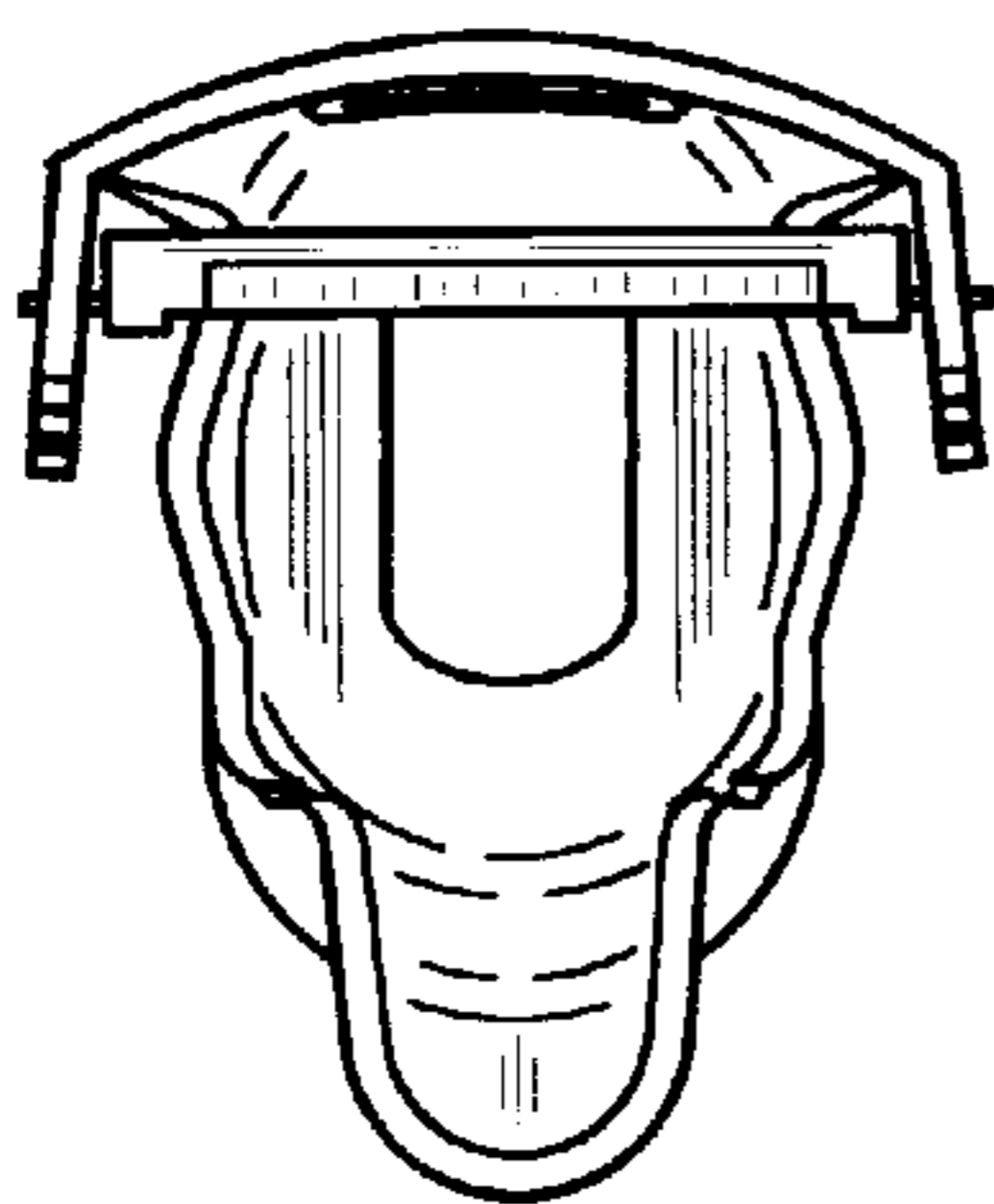


Fig. 4

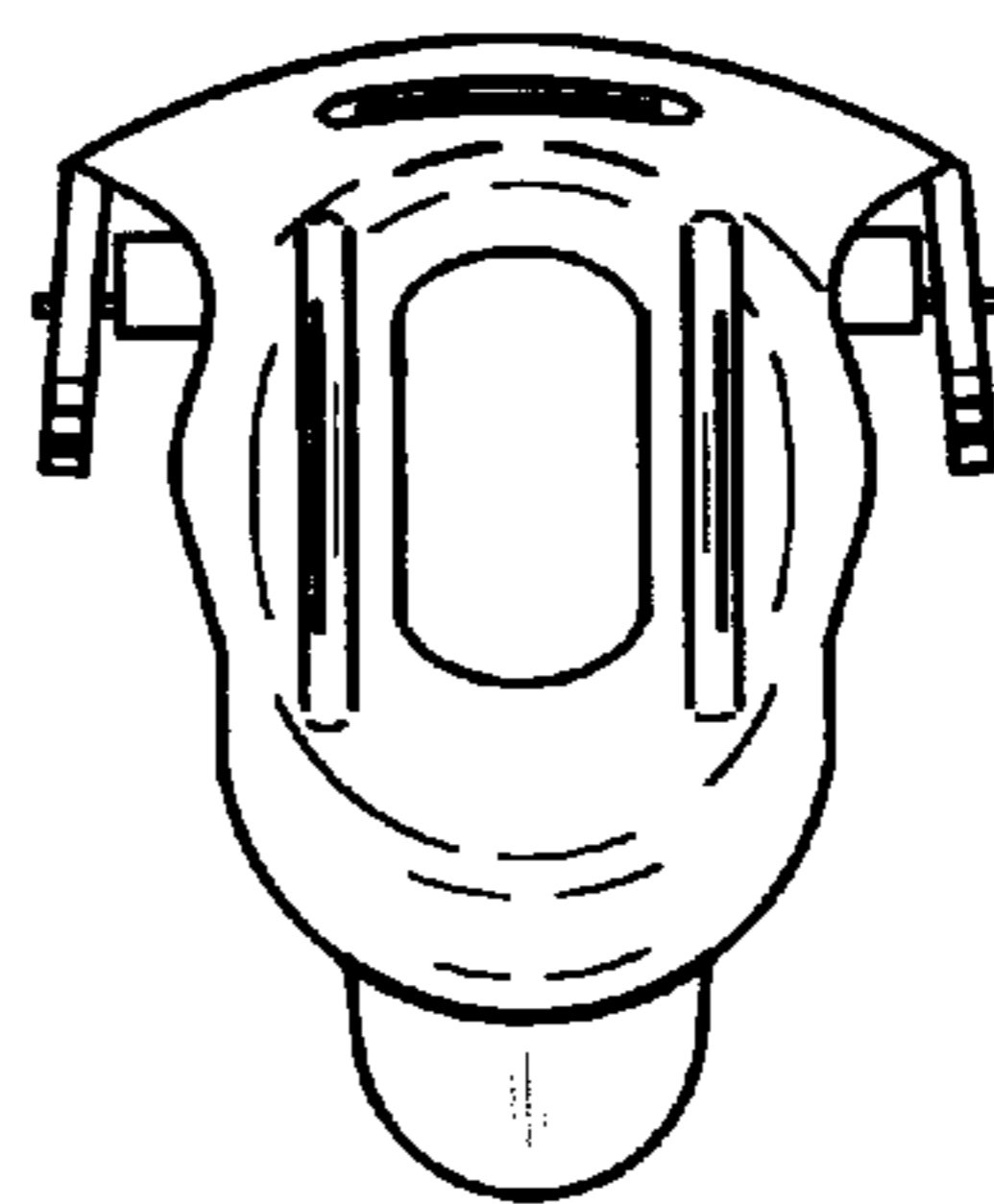


Fig. 5