



US00D415938S

**United States Patent** [19]  
**Blaise**

[11] **Patent Number: Des. 415,938**

[45] **Date of Patent: \*\* Nov. 2, 1999**

[54] **MANUAL GRATER**

4,588,136 5/1986 Homma ..... 241/95

[75] Inventor: **Nicolas Blaise**, Caen, France

*Primary Examiner*—Terry A. Wallace  
*Attorney, Agent, or Firm*—Young & Thompson

[73] Assignee: **Moulinex S.A.**, Paris, France

[\*\*] Term: **14 Years**

[57] **CLAIM**

[21] Appl. No.: **29/091,146**

The ornamental design for a manual grater, as shown and described.

[22] Filed: **Jul. 23, 1998**

**DESCRIPTION**

[30] **Foreign Application Priority Data**

Apr. 3, 1998 [FR] France ..... 98 2175

FIG. 1 is a top and side perspective view of a manual grater showing my new design;

[51] **LOC (6) Cl.** ..... **07-04**

FIG. 2 is a side elevational view thereof;

[52] **U.S. Cl.** ..... **D7/678; D7/679**

FIG. 3 is a side elevational view thereof from the left of FIG. 2, the side opposite that shown in FIG. 3 being the mirror image;

[58] **Field of Search** ..... D7/678, 679, 372, D7/373, 381; 241/93, 95, 168, 169, 169.1

FIG. 4 is a side elevational view thereof from the side opposite that shown in FIG. 2;

[56] **References Cited**

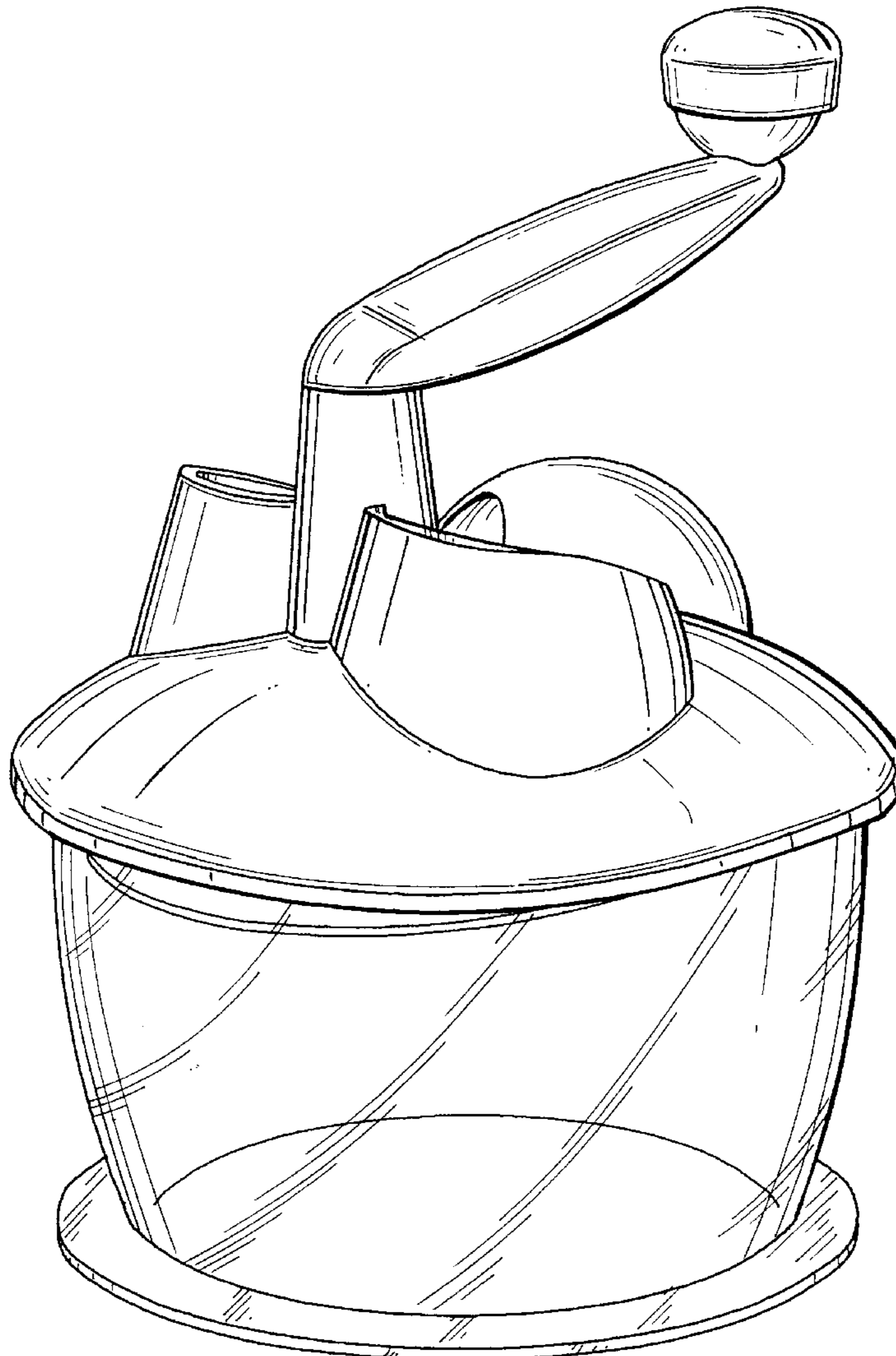
**U.S. PATENT DOCUMENTS**

4,311,283 1/1982 Bounds ..... 241/95

FIG. 5 is a top plan view thereof; and,

FIG. 6 is a bottom plan view thereof.

**1 Claim, 5 Drawing Sheets**



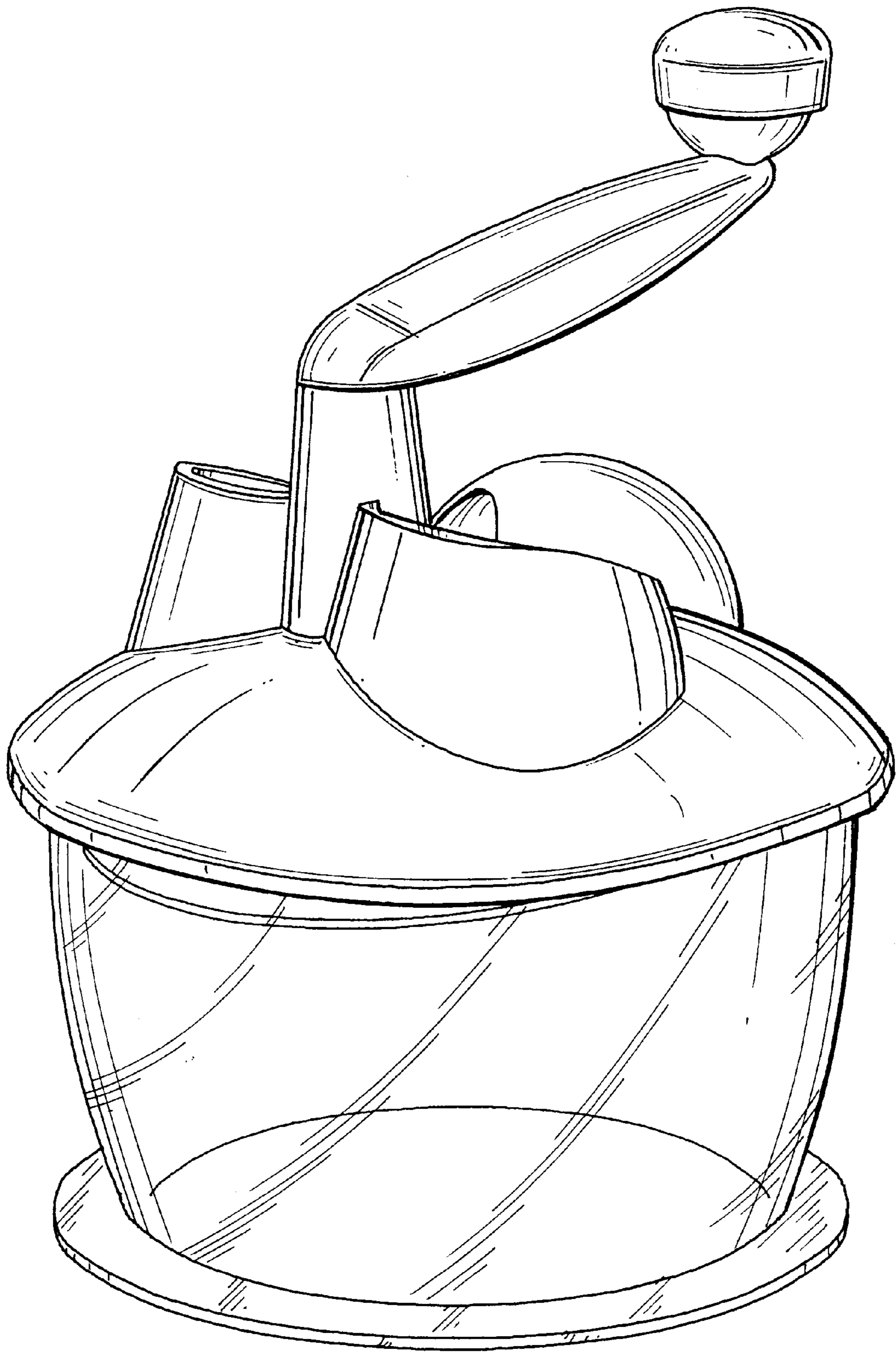


FIG. 1

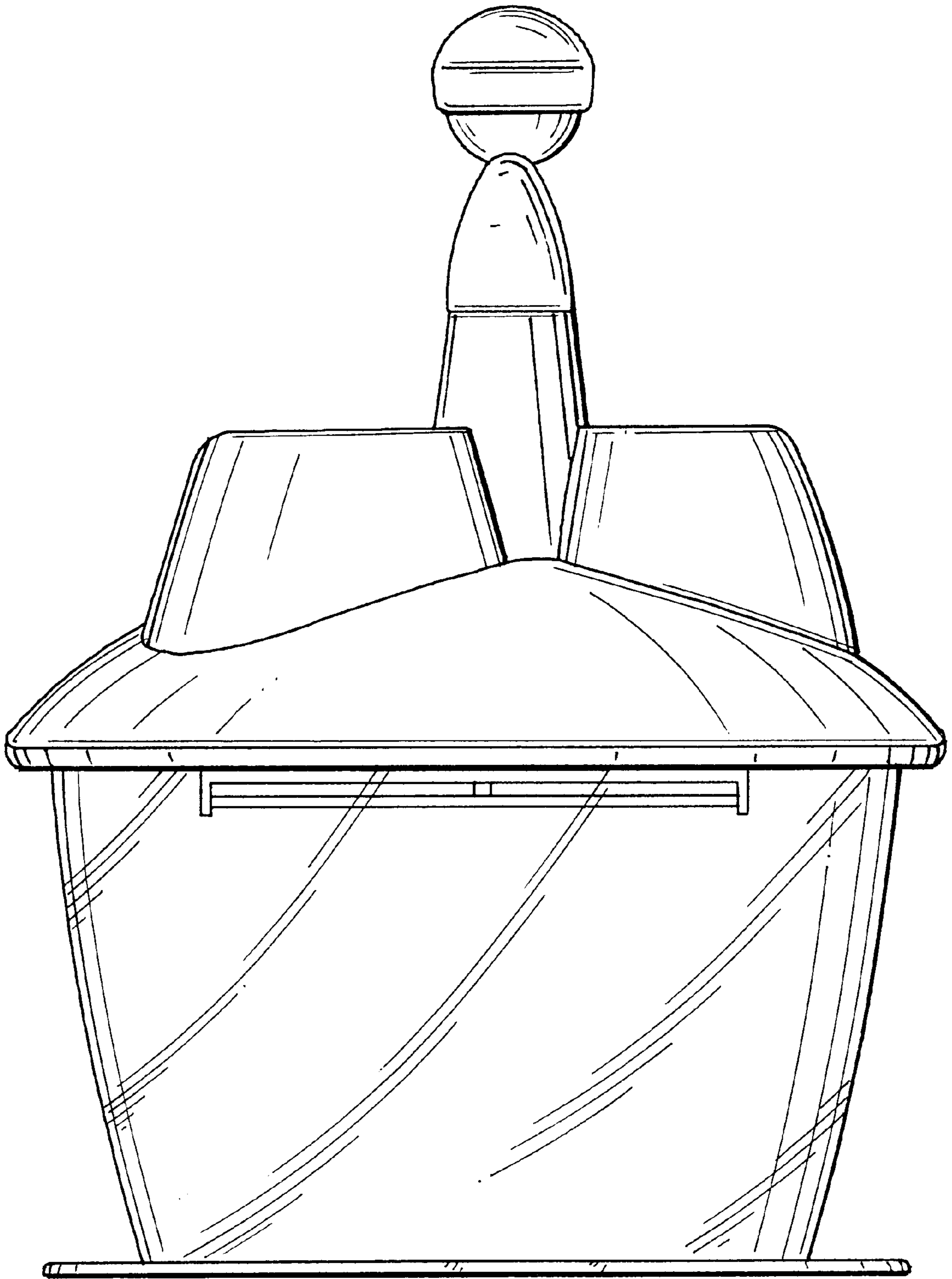


FIG. 2

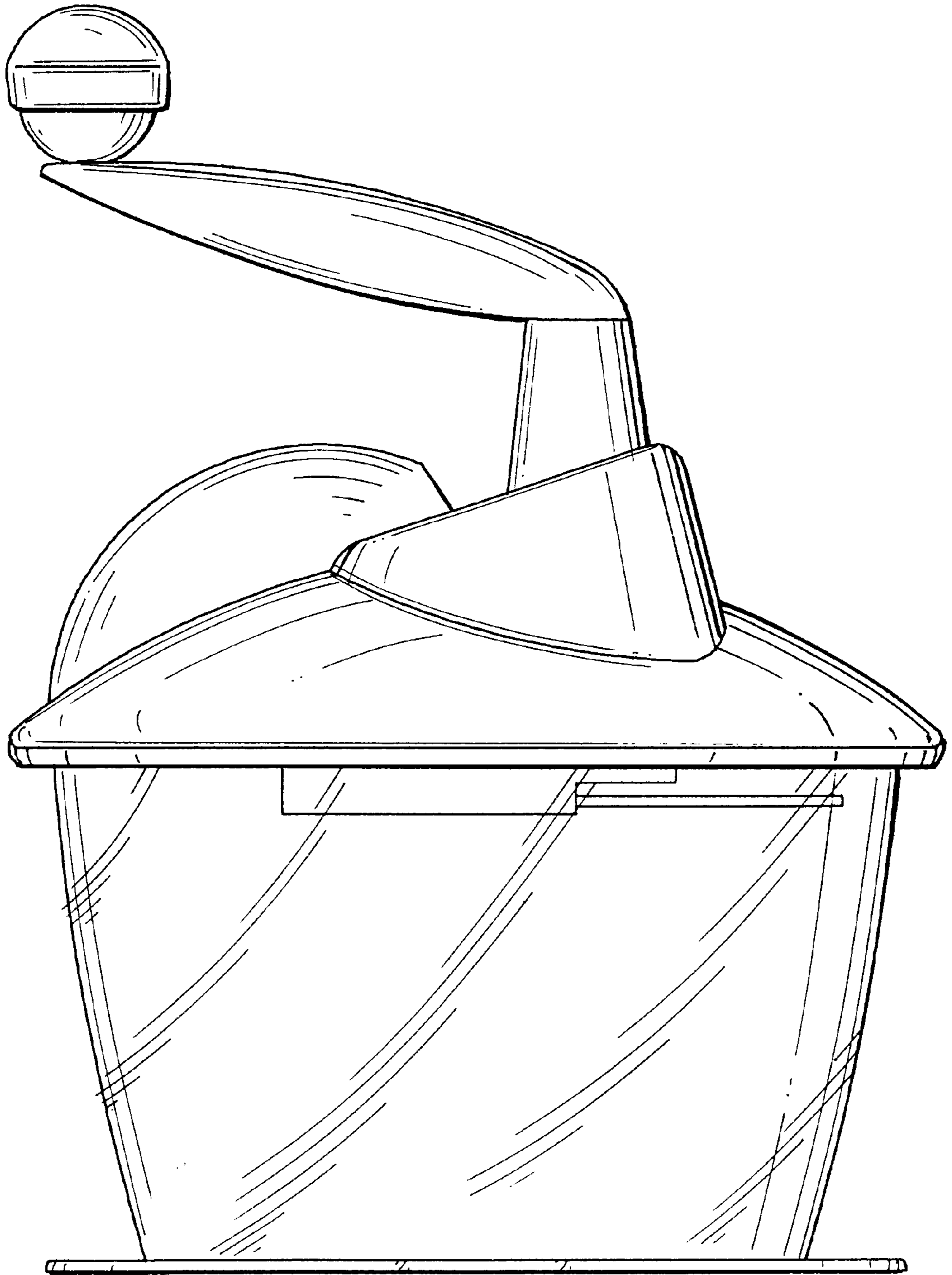


FIG. 3

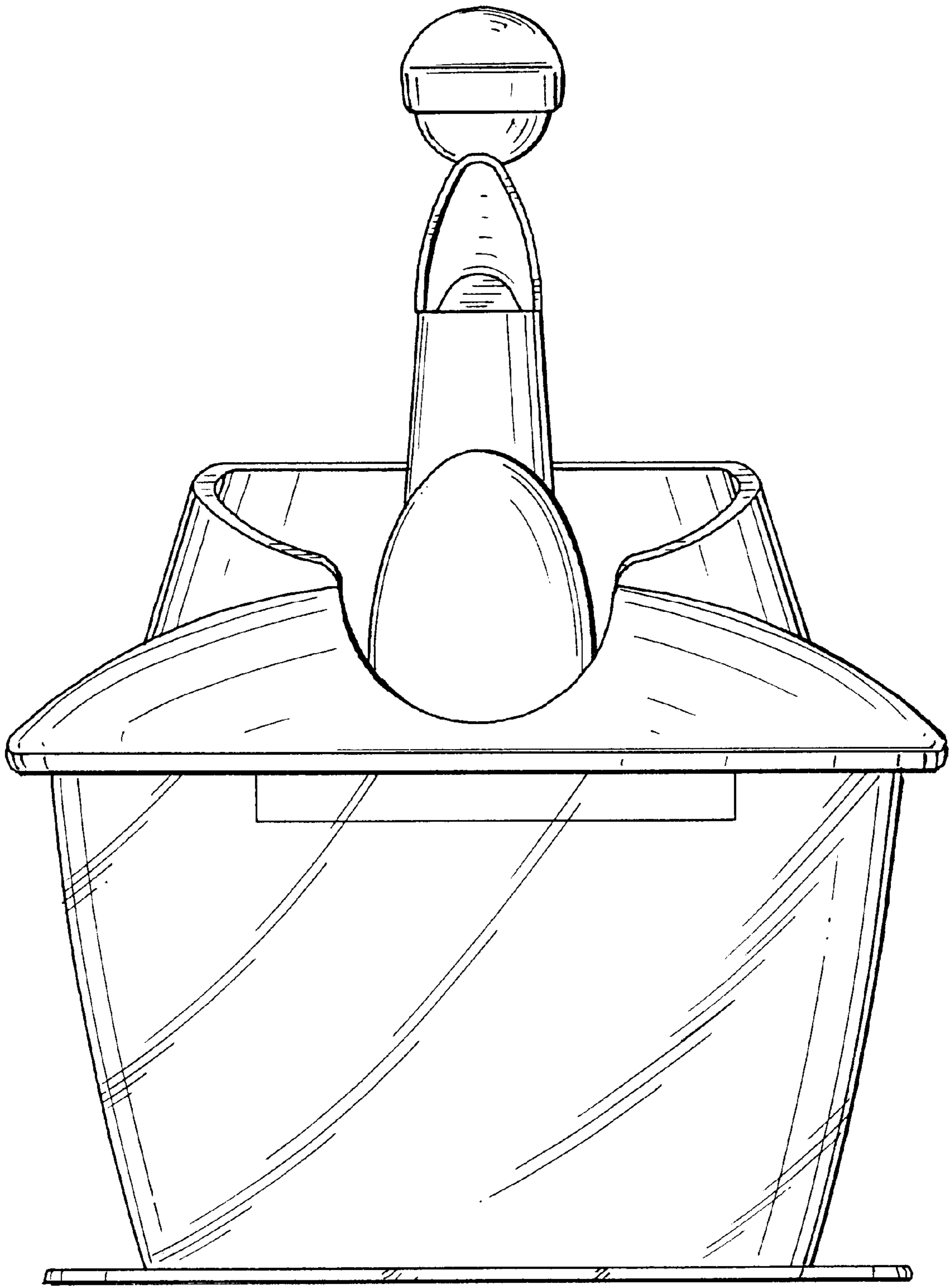


FIG. 4

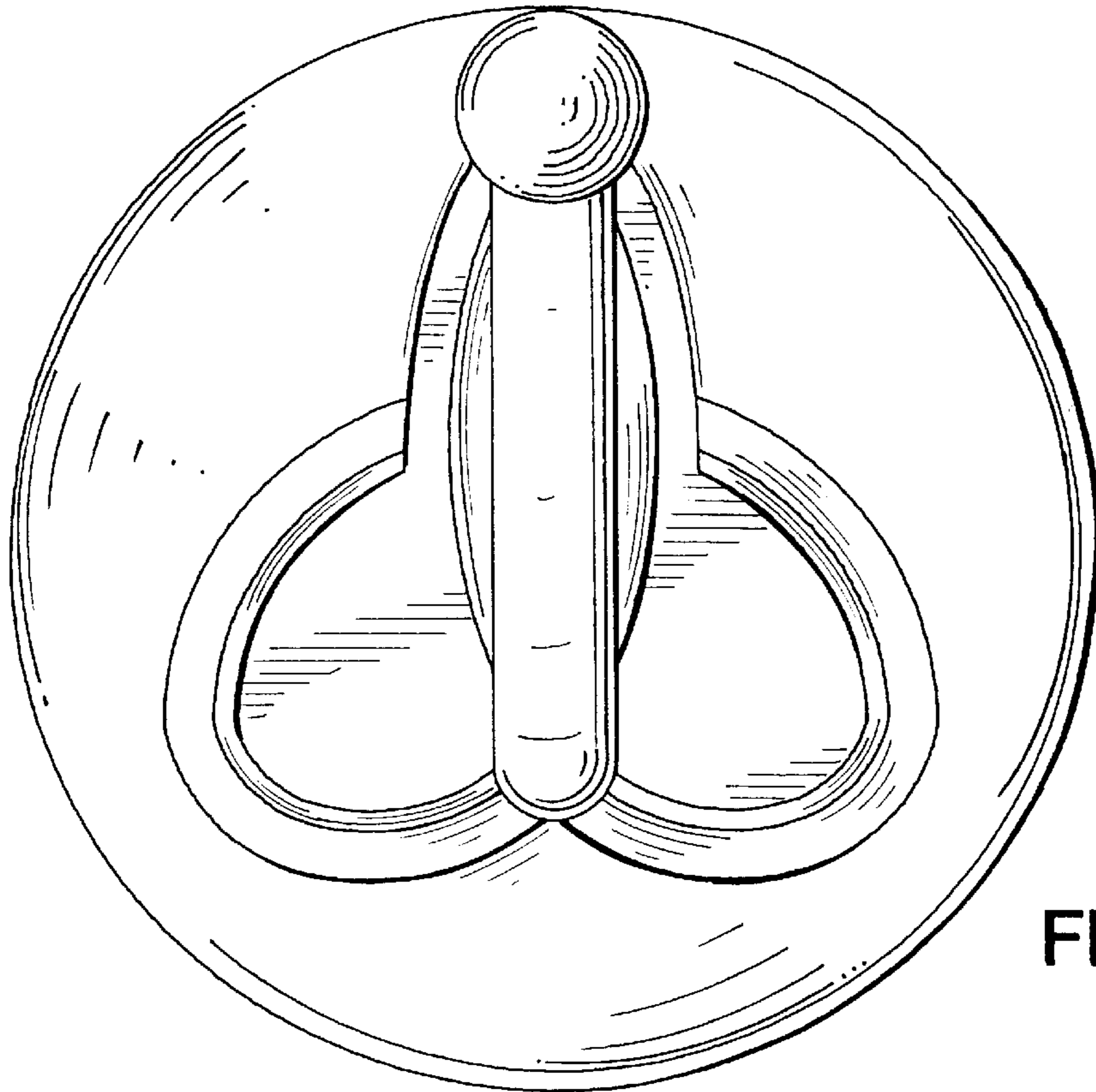


FIG. 5

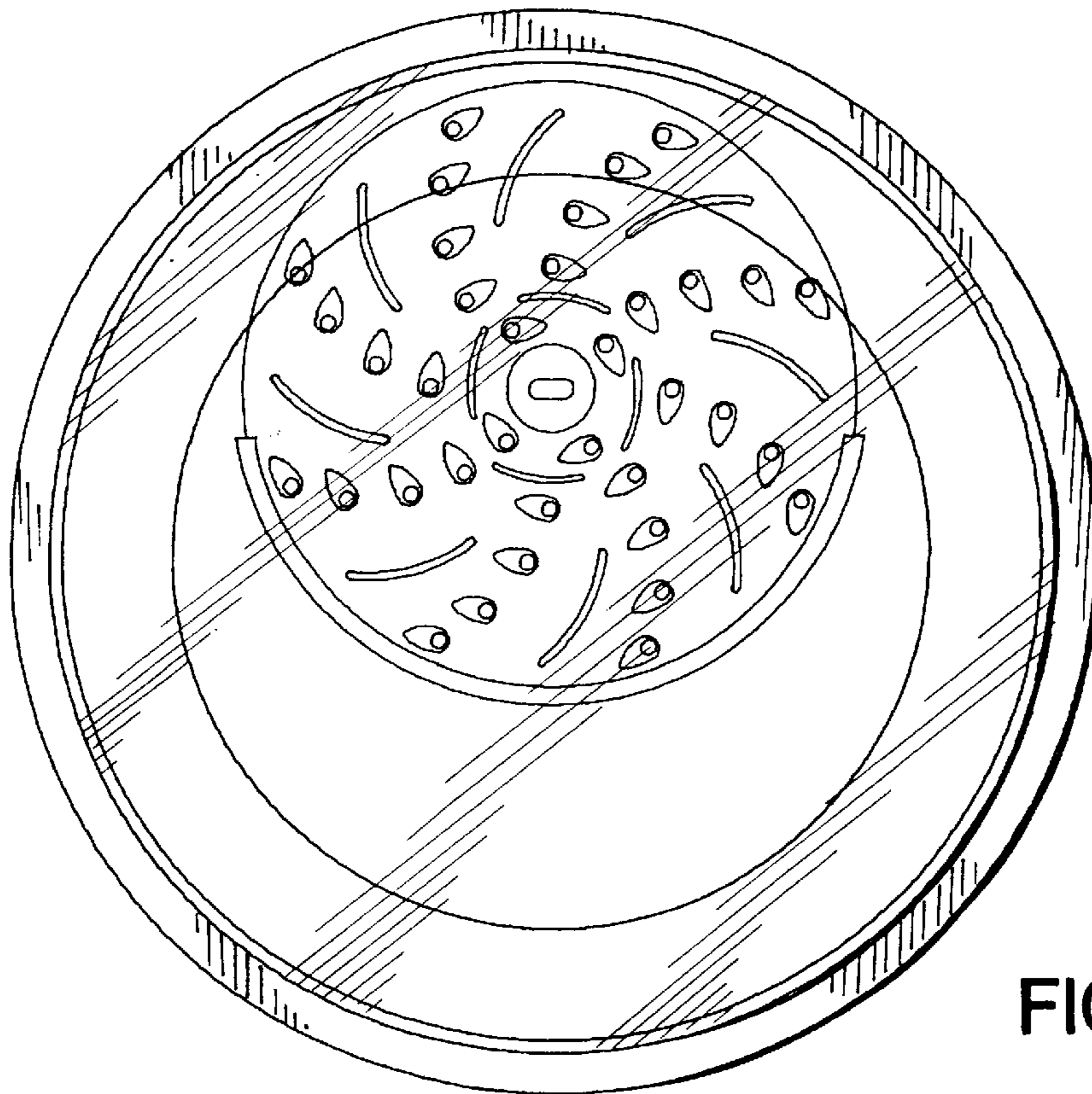


FIG. 6