



US00D415931S

United States Patent [19]
Richmond

[11] **Patent Number: Des. 415,931**

[45] **Date of Patent: ** Nov. 2, 1999**

[54] **DISH**

[75] **Inventor: Colin B. Richmond**, Vernon Center,
N.Y.

[73] **Assignee: Oneida Ltd.**, Oneida, N.Y.

[**] **Term: 14 Years**

[21] **Appl. No.: 29/097,315**

[22] **Filed: Dec. 3, 1998**

[51] **LOC (6) Cl. 07-01**

[52] **U.S. Cl. D7/558; D7/561; D7/562**

[58] **Field of Search D7/584, 558, 568,
D7/570, 585, 586, 560, 561, 562, 563,
565; 220/574**

[56] **References Cited**

U.S. PATENT DOCUMENTS

D. 16,633 4/1886 Gerard D7/562
D. 24,875 11/1895 Richardson D7/562

D. 46,694 11/1914 Sanford D7/562
D. 114,182 4/1939 Heisey D7/565
D. 154,216 6/1949 Reifsnyder D7/584 X
D. 174,830 5/1955 Nowak D7/558
D. 194,621 2/1963 Bennett D7/558
D. 210,230 2/1968 Alvarez D7/558
D. 246,220 11/1977 Benes D7/558
D. 287,560 1/1987 Thrush D7/562
D. 293,993 2/1988 Durand D7/562

Primary Examiner—M. N. Pandozzi
Attorney, Agent, or Firm—Wall Marjama Bilinski & Burr

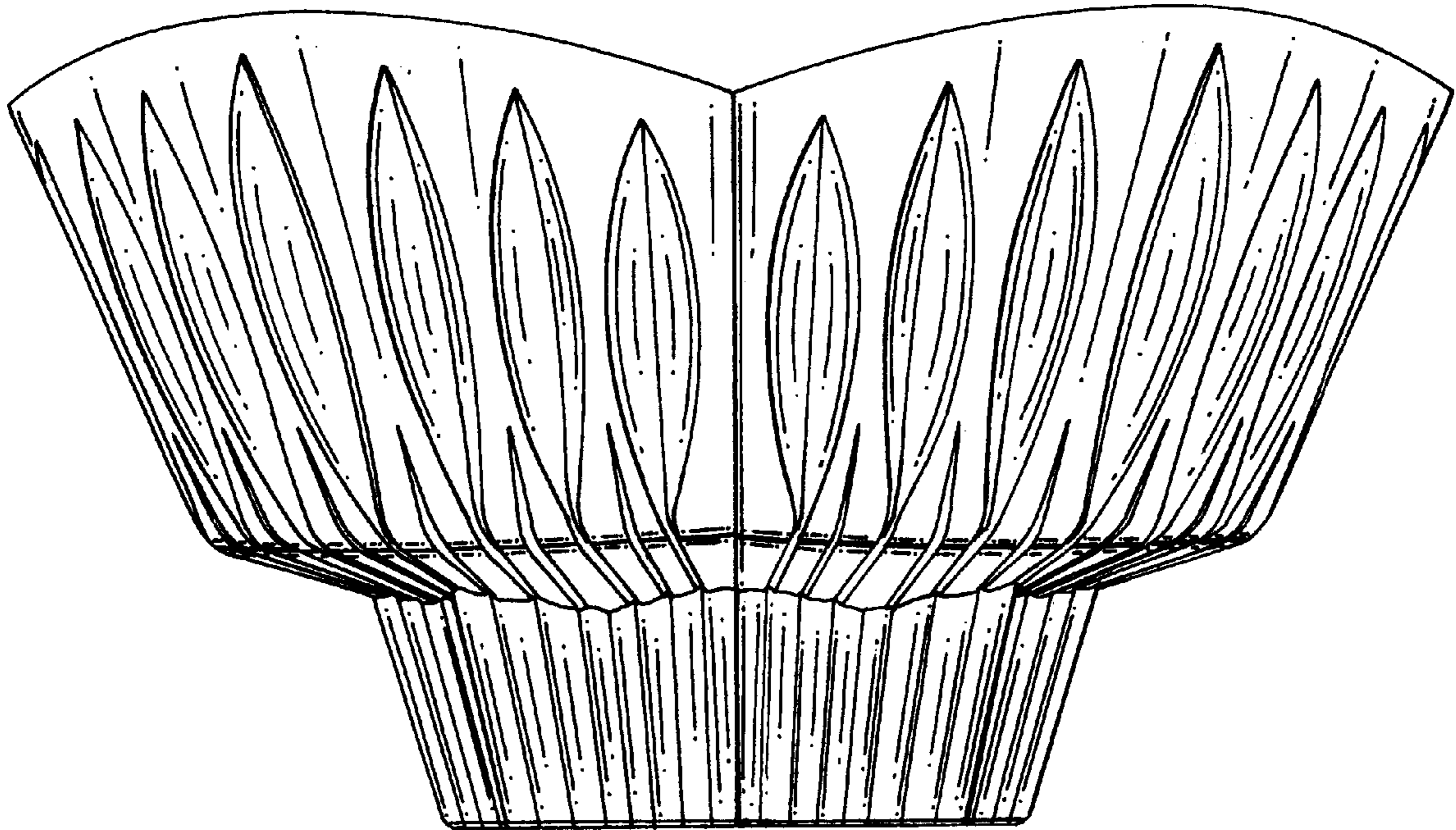
[57] **CLAIM**

The ornamental design for a dish, as shown and described.

DESCRIPTION

FIG. 1 is a front elevation of the dish illustrating my new design with the right side view, the left side view and the rear elevation all being mirror images thereof; FIG. 2 is a top view thereof; and, FIG. 3 is a bottom view thereof.

1 Claim, 2 Drawing Sheets



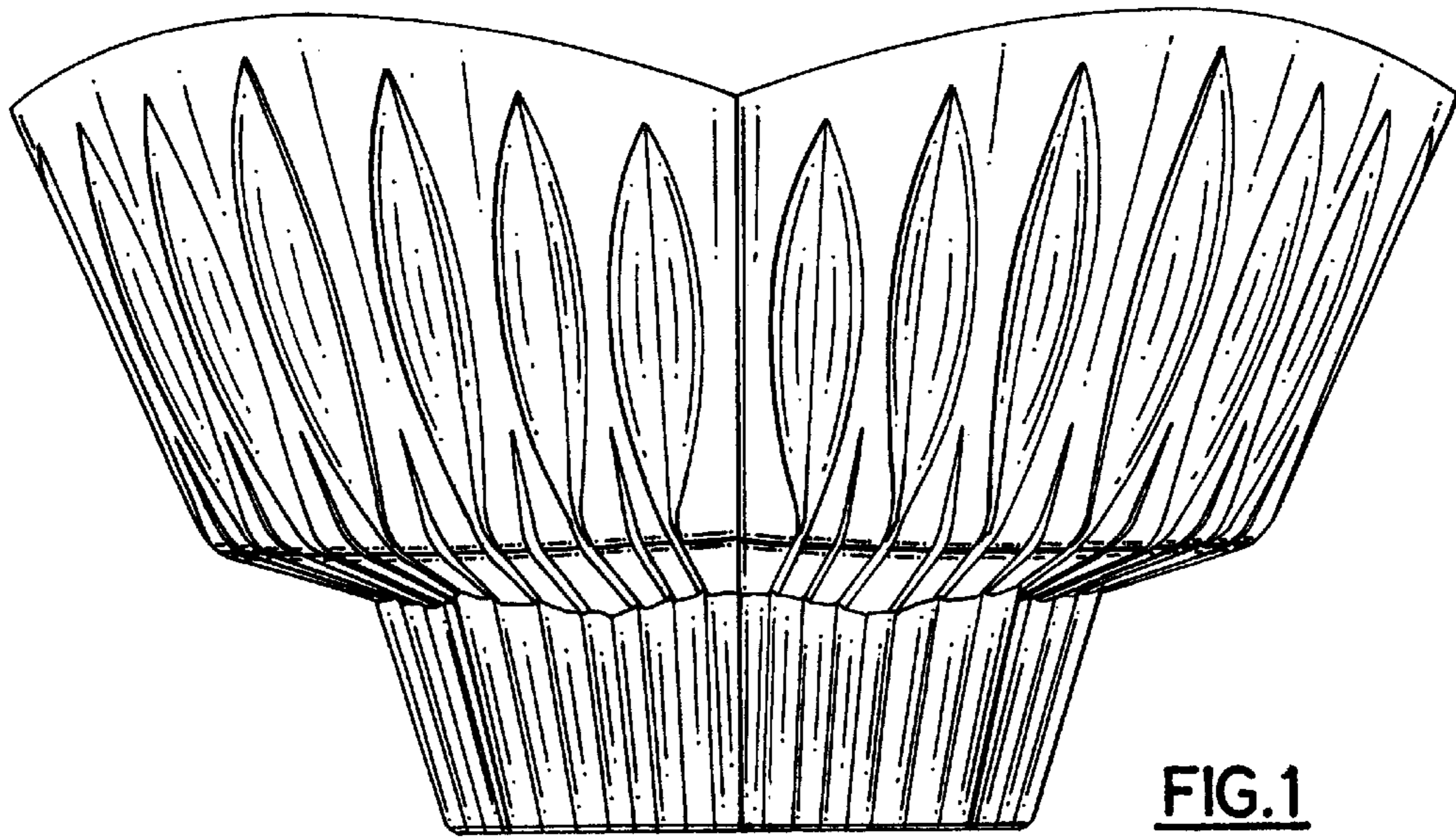


FIG. 1

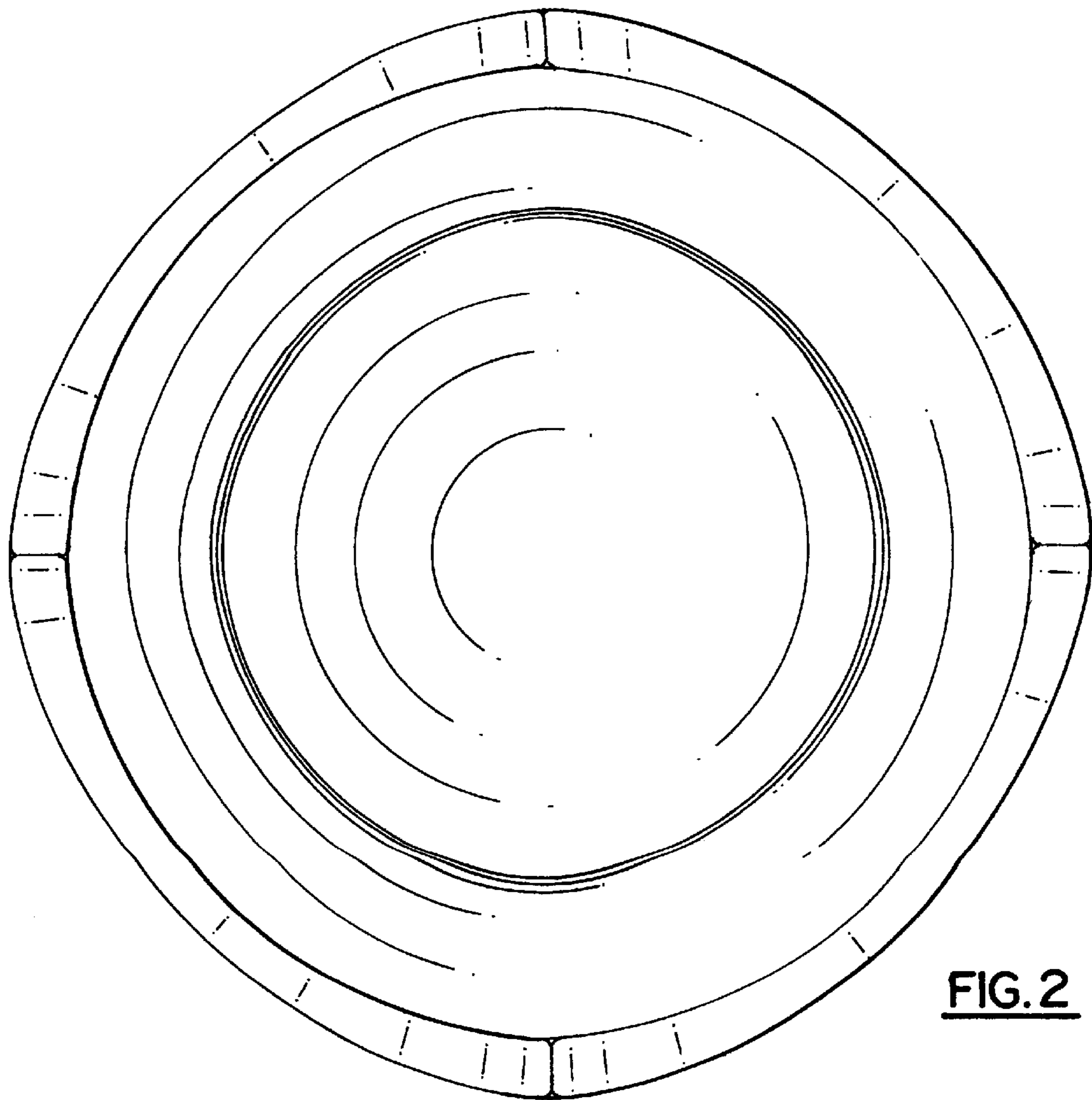


FIG. 2

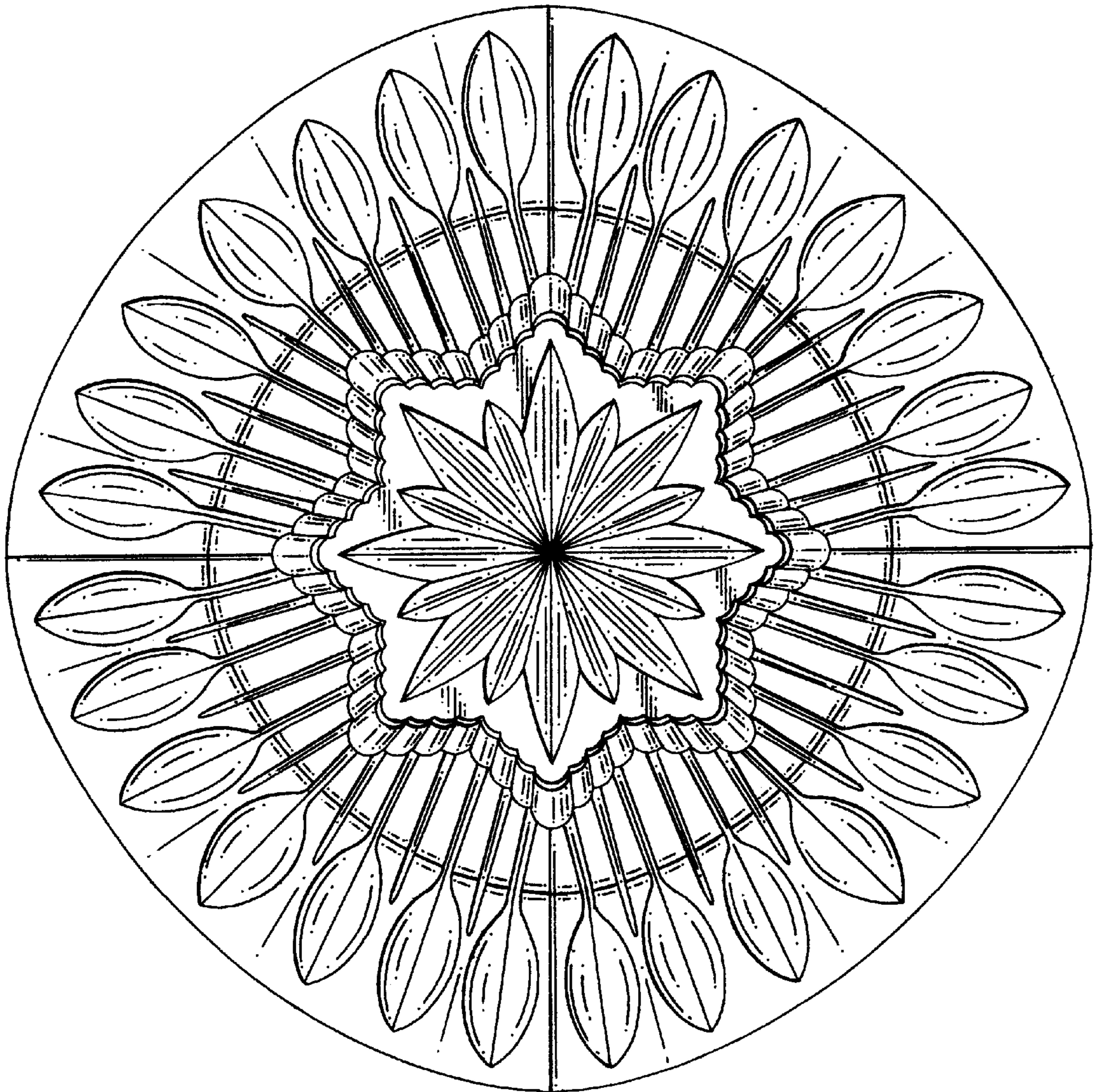


FIG.3