



US00D415925S

# United States Patent [19] Pai

[11] **Patent Number: Des. 415,925**

[45] **Date of Patent: \*\* Nov. 2, 1999**

[54] **BARBECUE GRILL**

[76] Inventor: **Jui-Yen Pai**, No. 617, Sec. 4,  
Chunghwa Rd., Hsinchu City, Taiwan

[\*\*] Term: **14 Years**

[21] Appl. No.: **29/081,914**

[22] Filed: **Jan. 12, 1998**

[51] **LOC (6) Cl. .... 07-02**

[52] **U.S. Cl. .... D7/337**

[58] **Field of Search** ..... D7/332-388, 402-404,  
D7/409; 126/25 R, 25 A, 25 AA, 26-27,  
29-30, 9 R, 41 R, 40, 50, 245, 38; 99/482

[56] **References Cited**

**U.S. PATENT DOCUMENTS**

D. 282,619 2/1986 Fitzgerald et al. .... D7/332  
D. 283,391 4/1986 McNiel ..... D7/332  
D. 302,641 8/1989 Elmburg ..... D7/332

D. 370,380 6/1996 McGourthy, Jr. et al. .... D7/337  
4,627,408 12/1986 Schlosser ..... 126/41 R  
5,499,573 3/1996 Lin ..... 99/337  
5,832,915 2/1997 Skidmore et al. .... 126/9 R

*Primary Examiner*—Ruth McInroy  
*Attorney, Agent, or Firm*—Patterson & Keough, P.A.

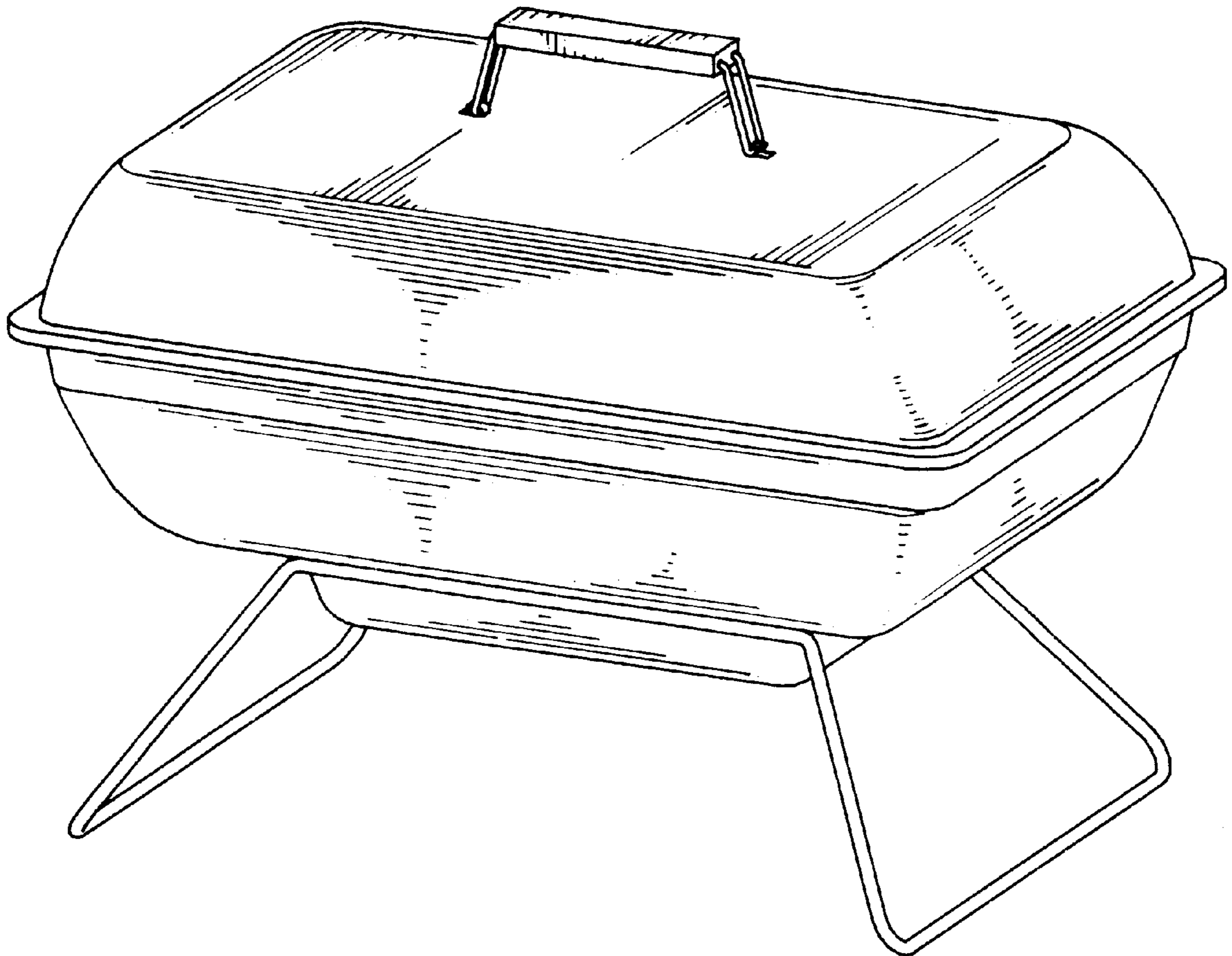
[57] **CLAIM**

The ornamental design for a barbecue grill, as shown.

**DESCRIPTION**

FIG. 1 is a perspective view from the front-right-top side of a barbecue grill showing my design; FIG. 2 is a front elevational view thereof; FIG. 3 is a rear elevational view thereof; FIG. 4 is a left side elevational view thereof; FIG. 5 is a right side elevational view thereof; FIG. 6 is a top plan view thereof; and, FIG. 7 is a bottom plan view thereof.

**1 Claim, 4 Drawing Sheets**



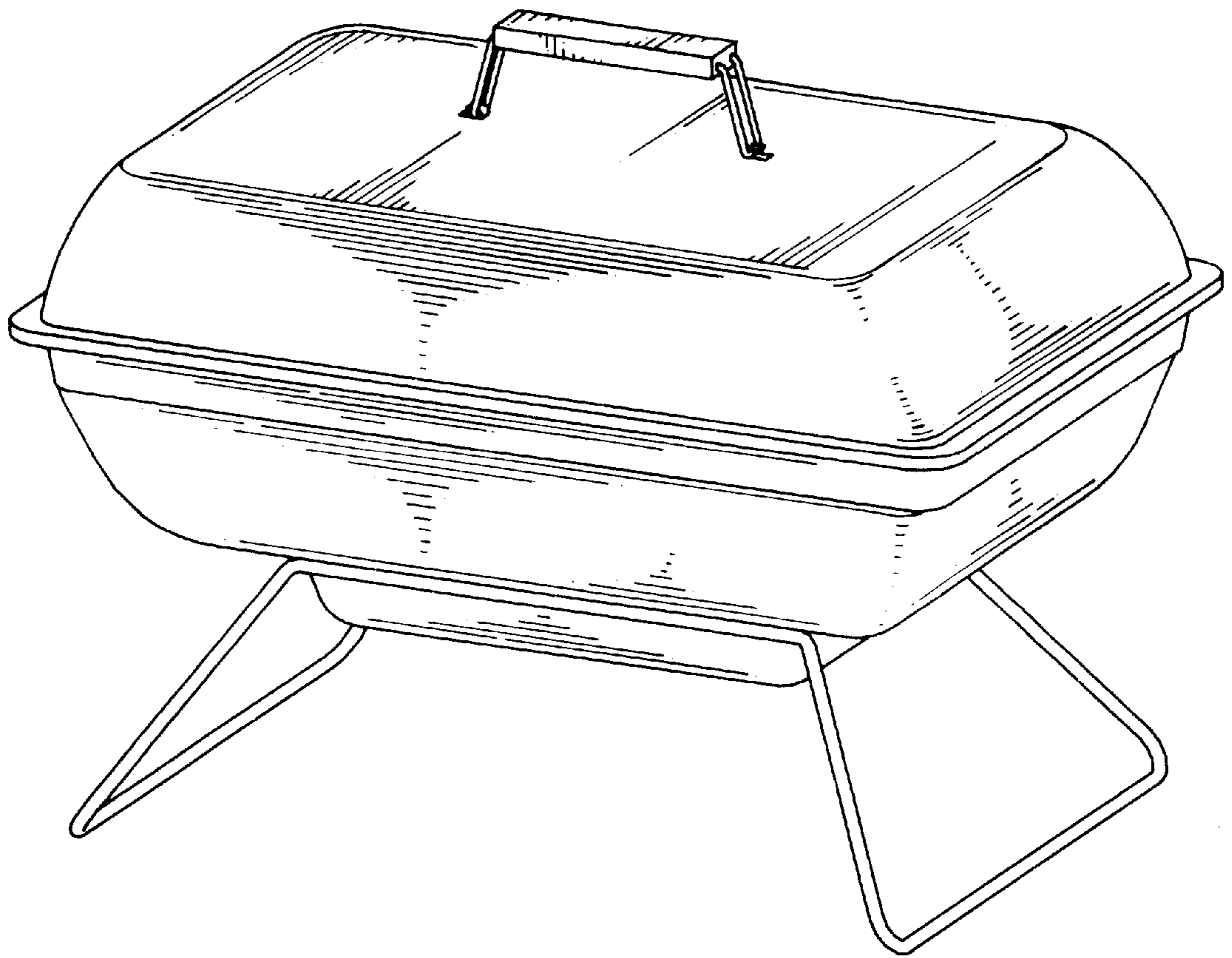


FIG. 1

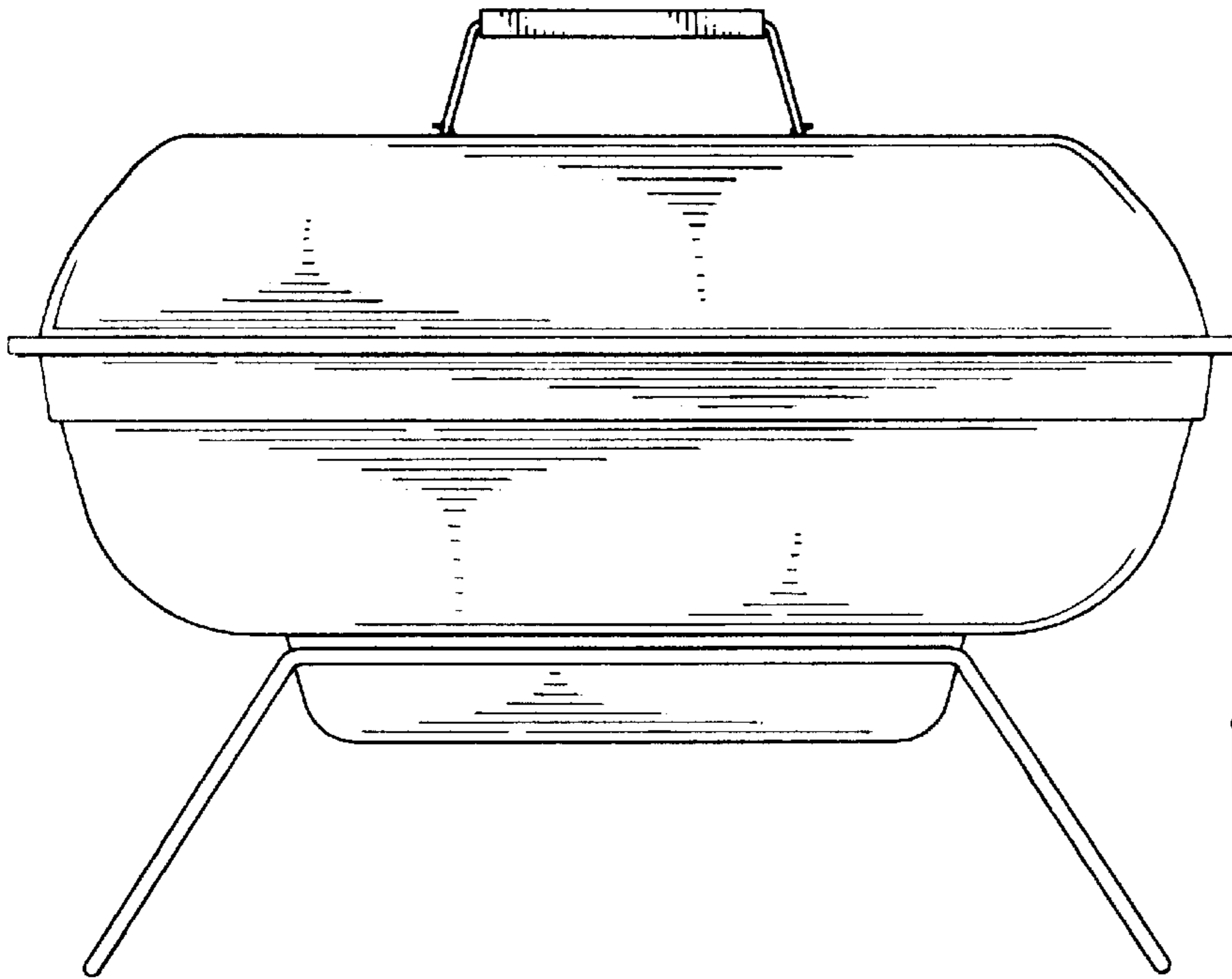


FIG. 2

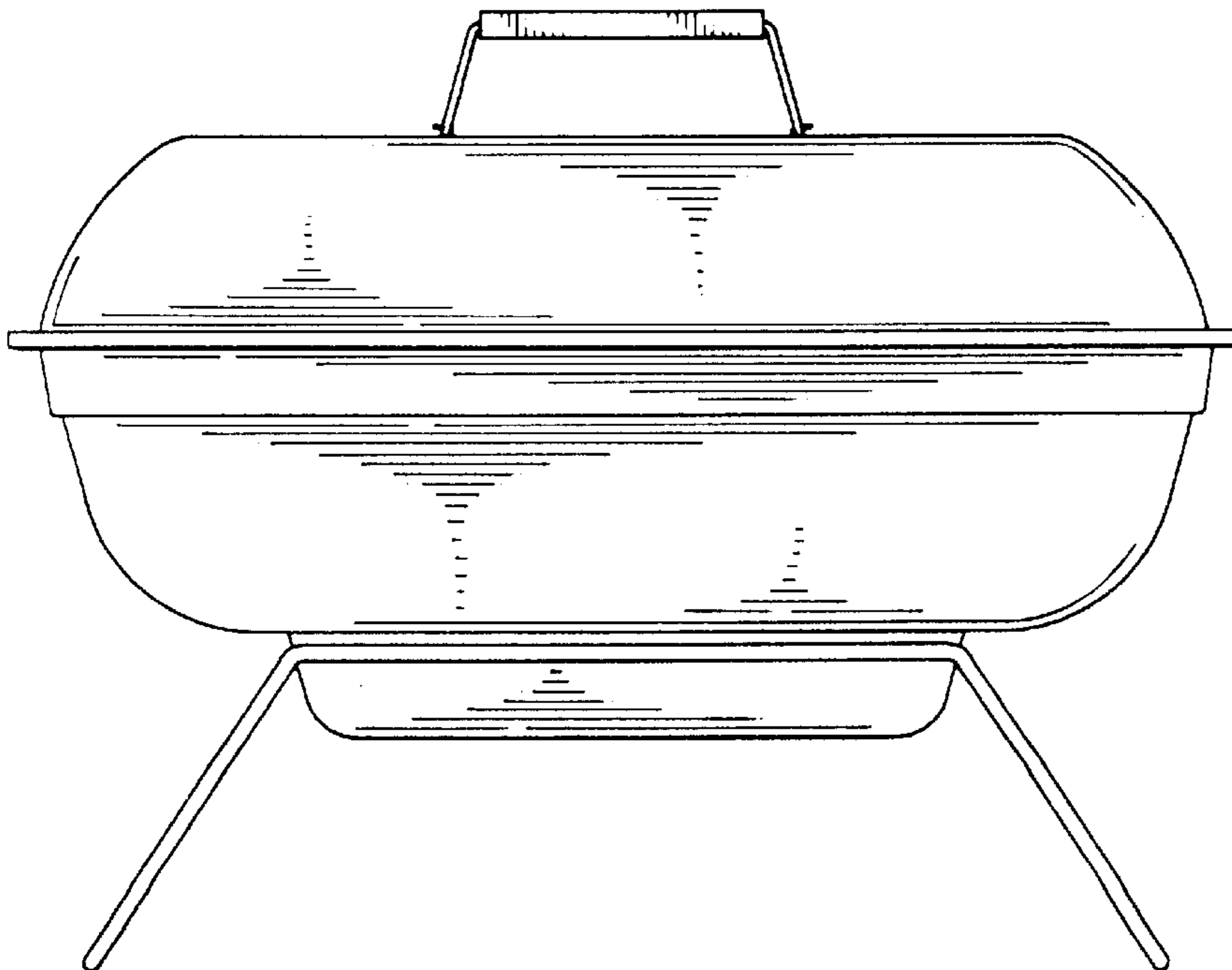


FIG. 3

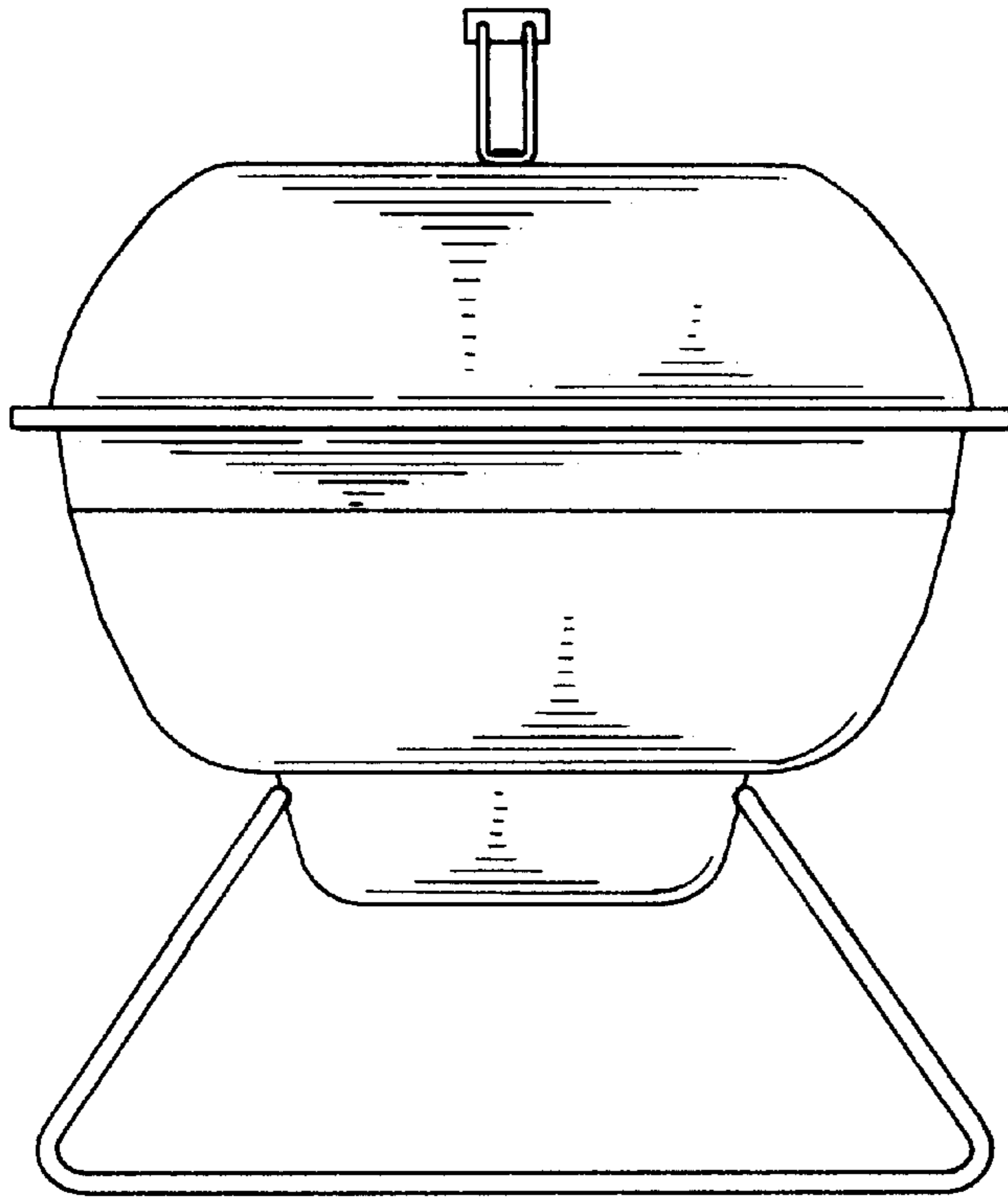


FIG. 4

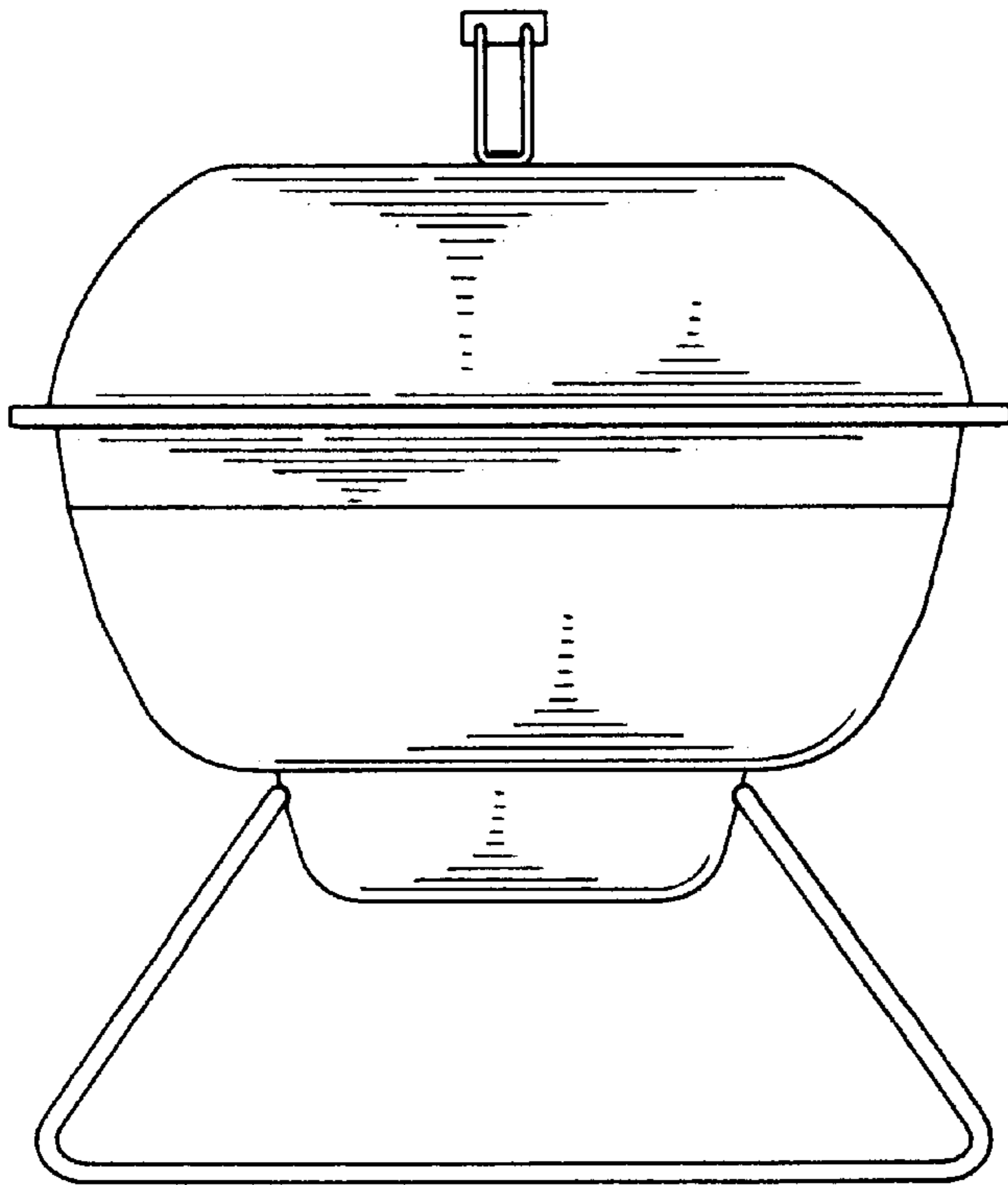


FIG. 5

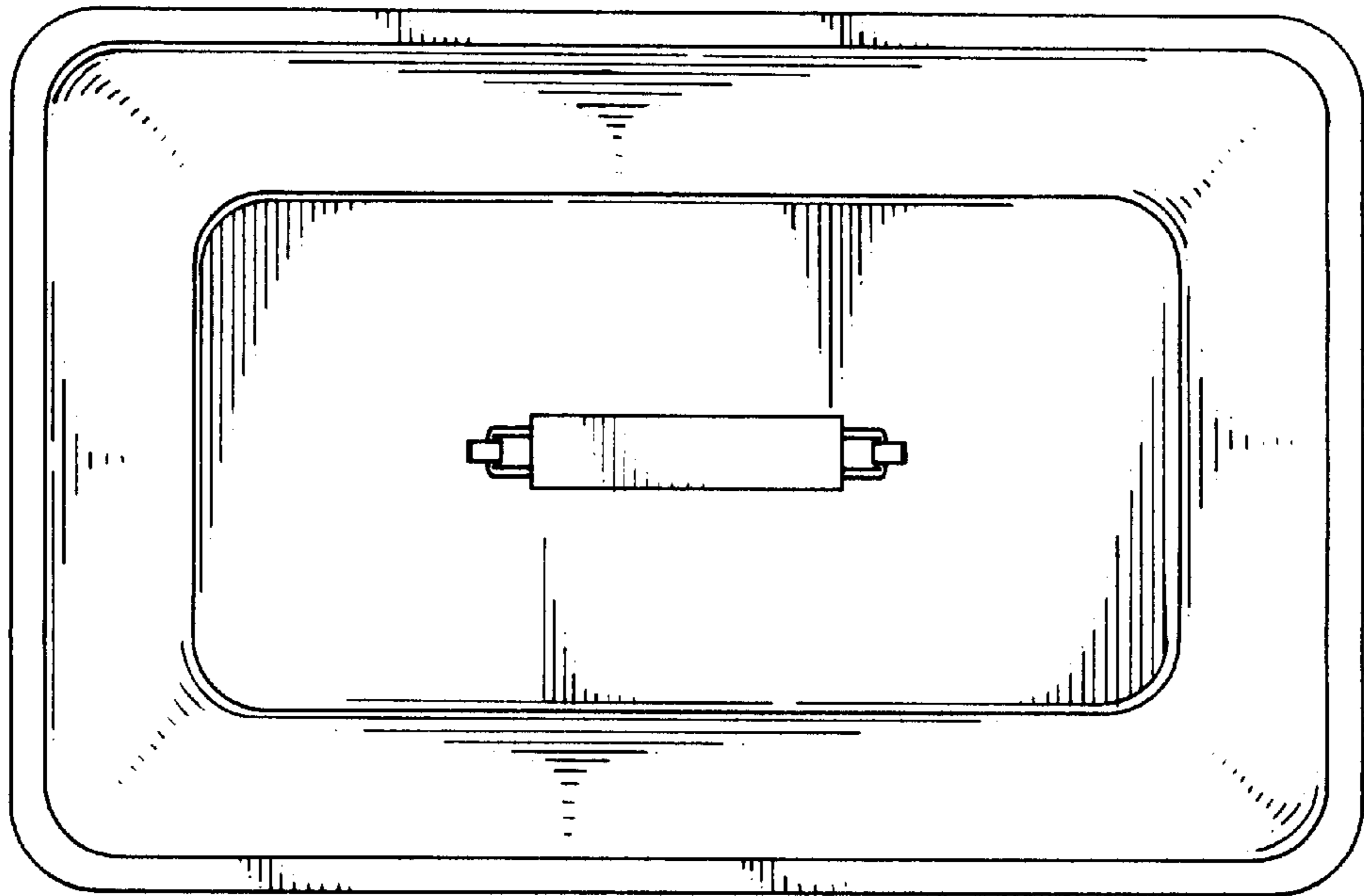


FIG. 6

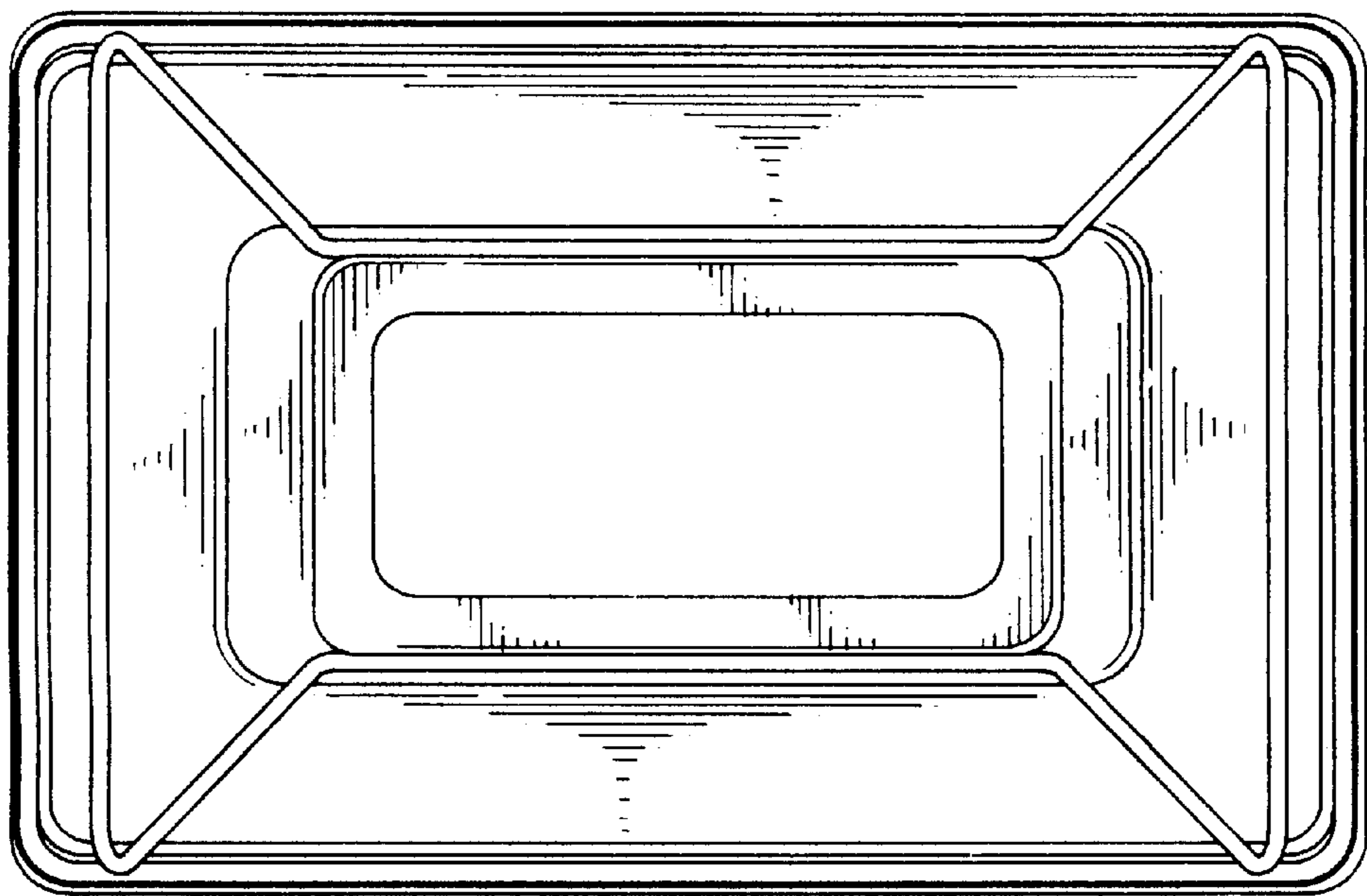


FIG. 7