



US00D415924S

United States Patent [19] Powel

[11] **Patent Number: Des. 415,924**

[45] **Date of Patent: ** Nov. 2, 1999**

[54] **TOASTER**

[75] Inventor: **Dick Powel**, London, United Kingdom

[73] Assignee: **SEB**, Selongey, France

[**] Term: **14 Years**

[21] Appl. No.: **29/072,802**

[22] Filed: **Jun. 30, 1997**

[30] **Foreign Application Priority Data**

Dec. 30, 1996 [FR] France 96 7360

[51] **LOC (6) Cl.** **07-02**

[52] **U.S. Cl.** **D7/330**

[58] **Field of Search** D7/323, 328-330,
D7/390; 99/372, 385, 389

[56] **References Cited**

U.S. PATENT DOCUMENTS

D. 124,059 12/1940 Christenson, Jr. et al. D7/330

D. 148,936	3/1948	Laylon	D7/330
D. 161,265	12/1950	Jepson	D7/330
D. 177,503	4/1956	Hunt	D7/330
D. 185,076	5/1959	Ernest et al.	D7/330
D. 362,992	10/1995	Alessi Anghini et al.	D7/330
5,802,957	9/1998	Wanat et al.	99/327

Primary Examiner—Caron D. Veynar
Attorney, Agent, or Firm—Pillsbury Madison & Sutro

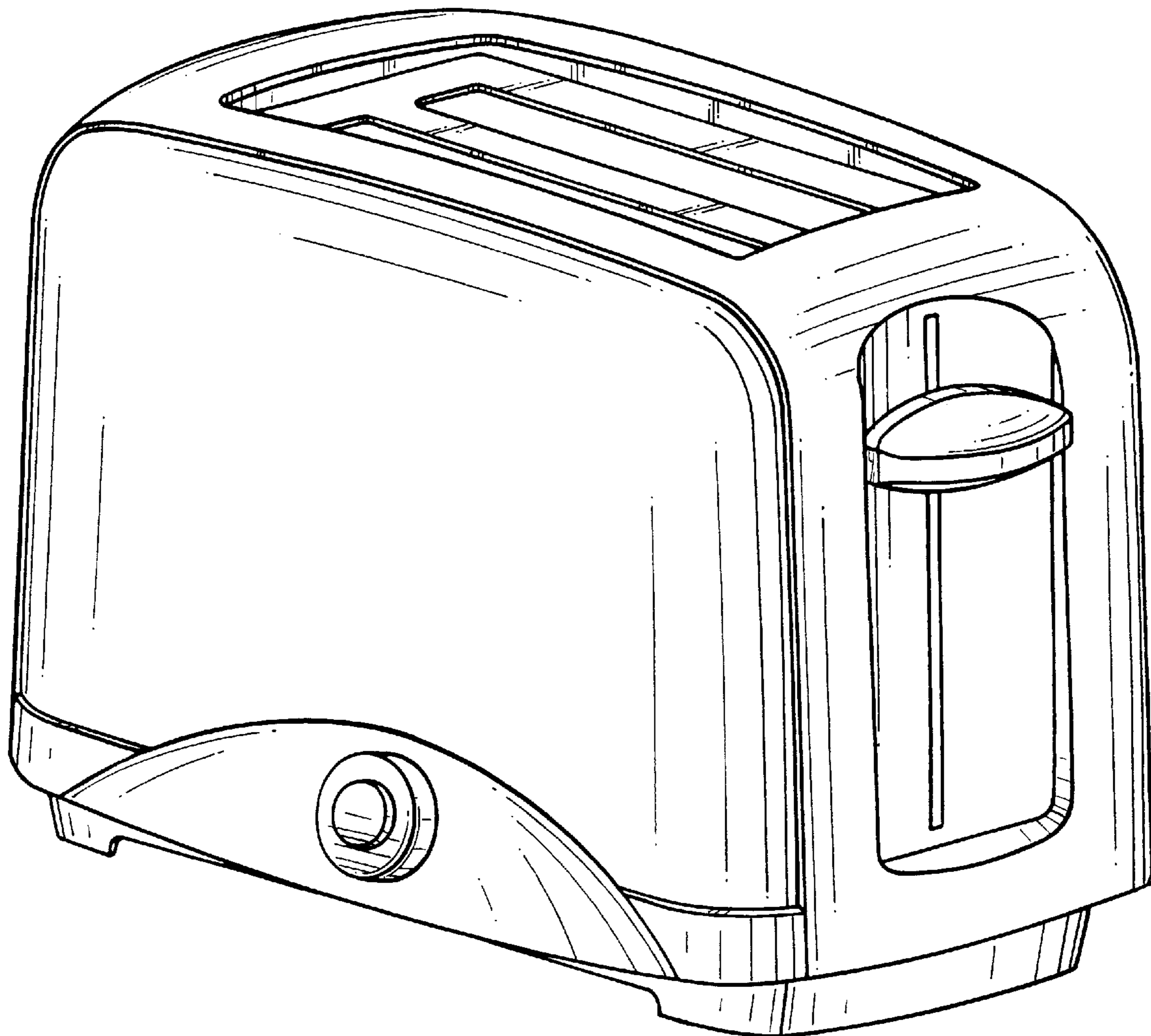
[57] **CLAIM**

The ornamental design for a toaster, as shown.

DESCRIPTION

FIG. 1 is a front elevational view of a toaster showing my new design;
FIG. 2 is a rear elevational view thereof;
FIG. 3 is a right side elevational view thereof;
FIG. 4 is a left side elevational view thereof;
FIG. 5 is a top plan view thereof; and,
FIG. 6 is a perspective view thereof.

1 Claim, 5 Drawing Sheets



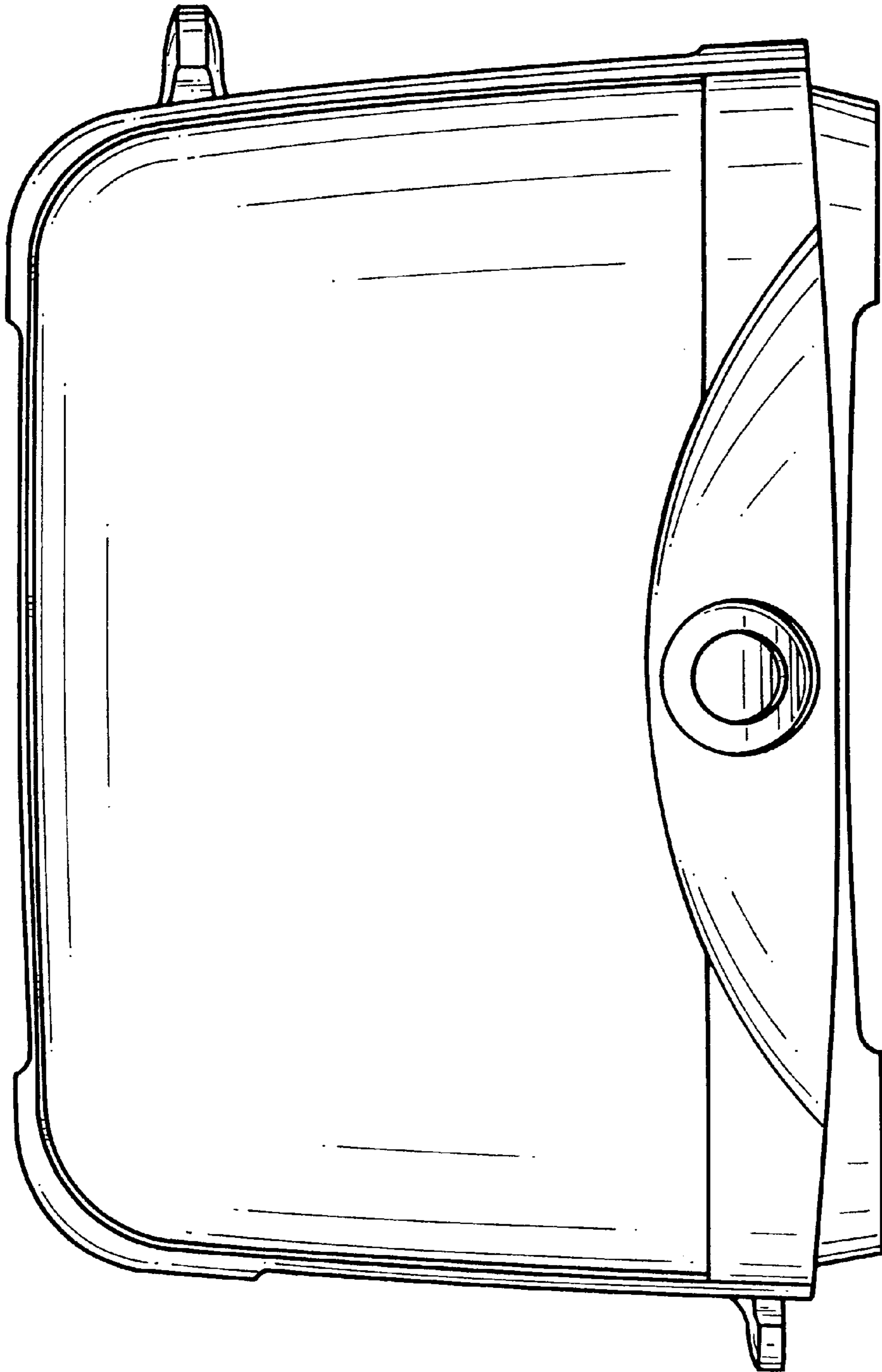


FIG. 1

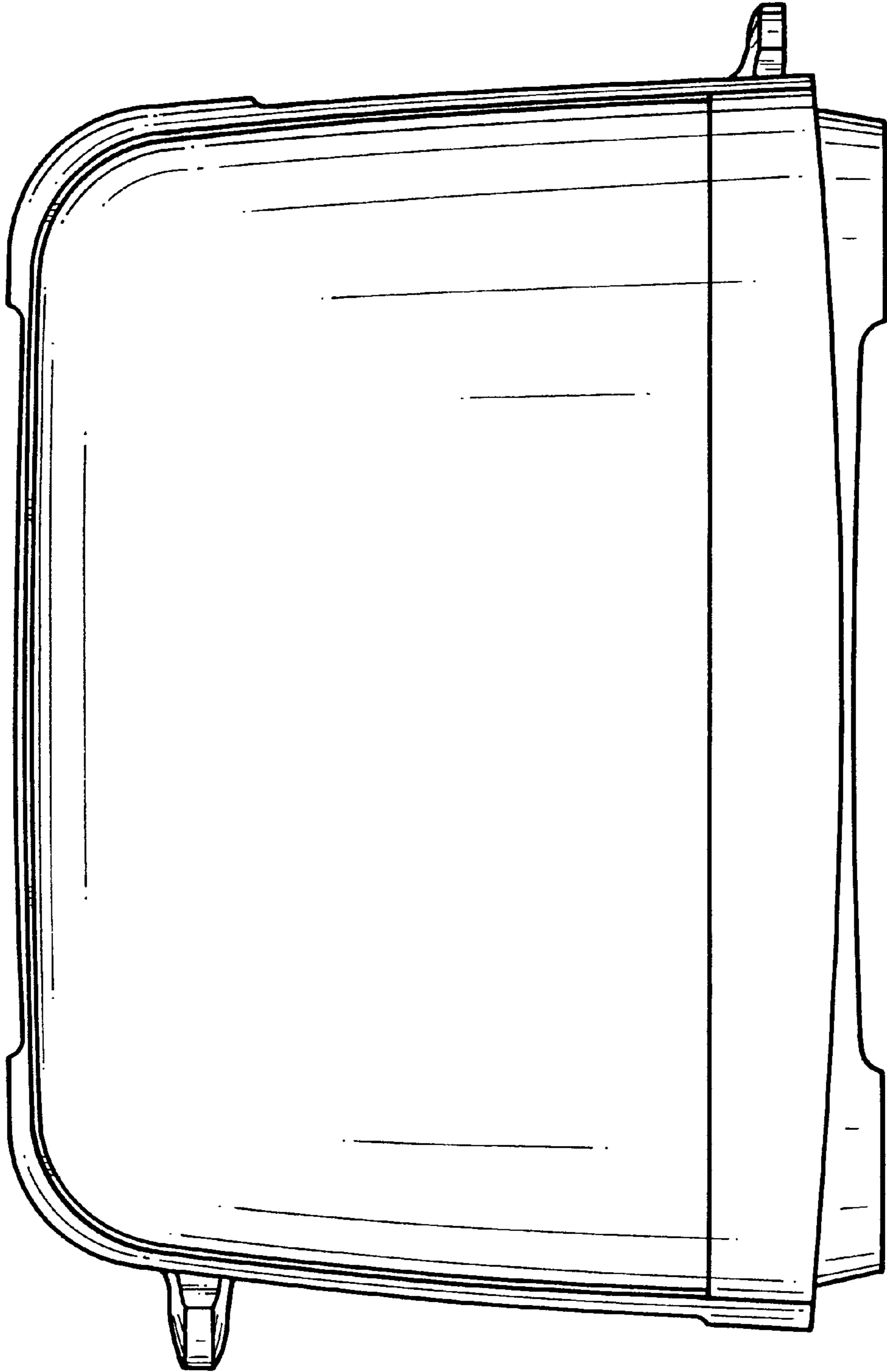


FIG. 2

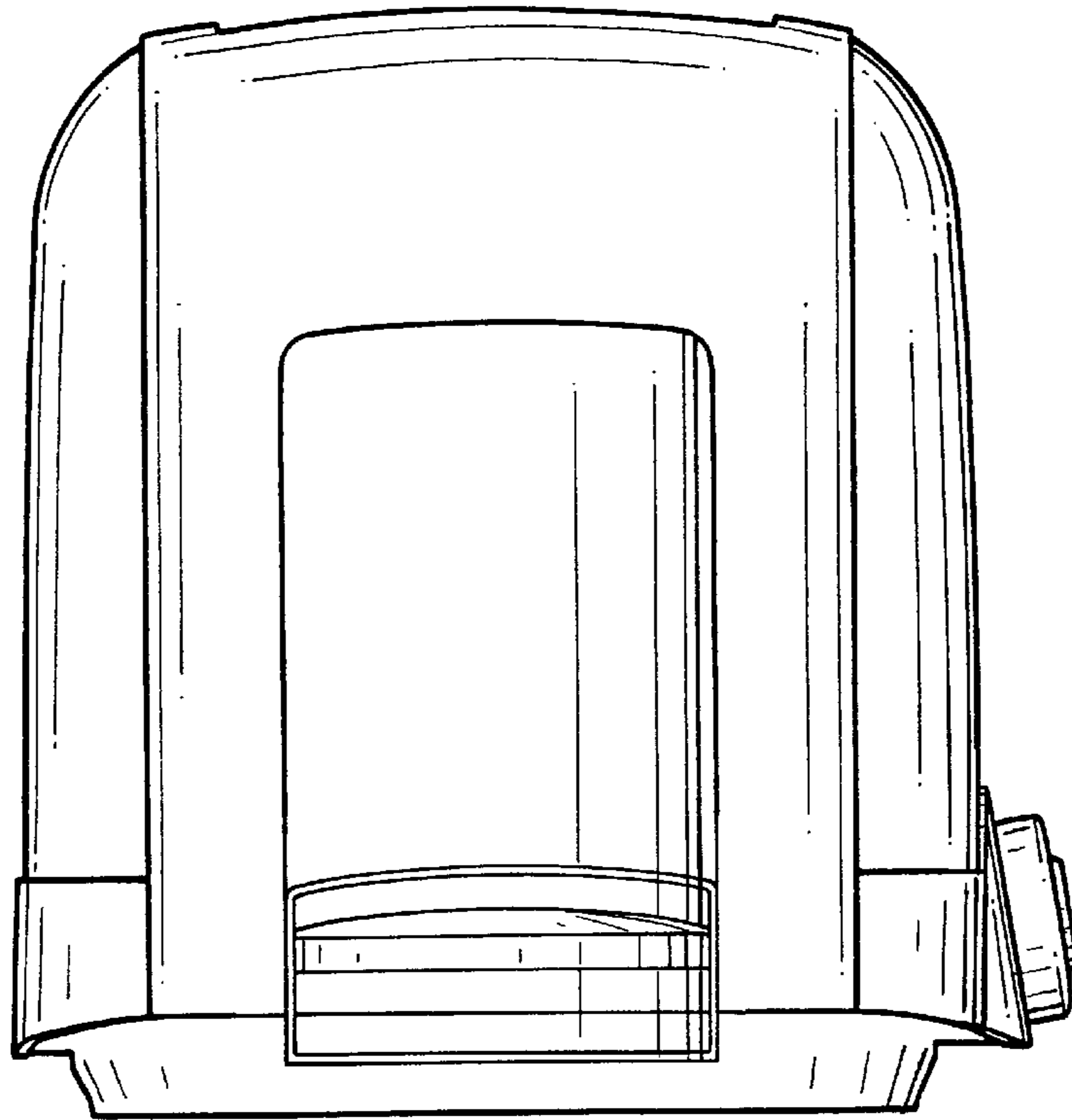


FIG. 4

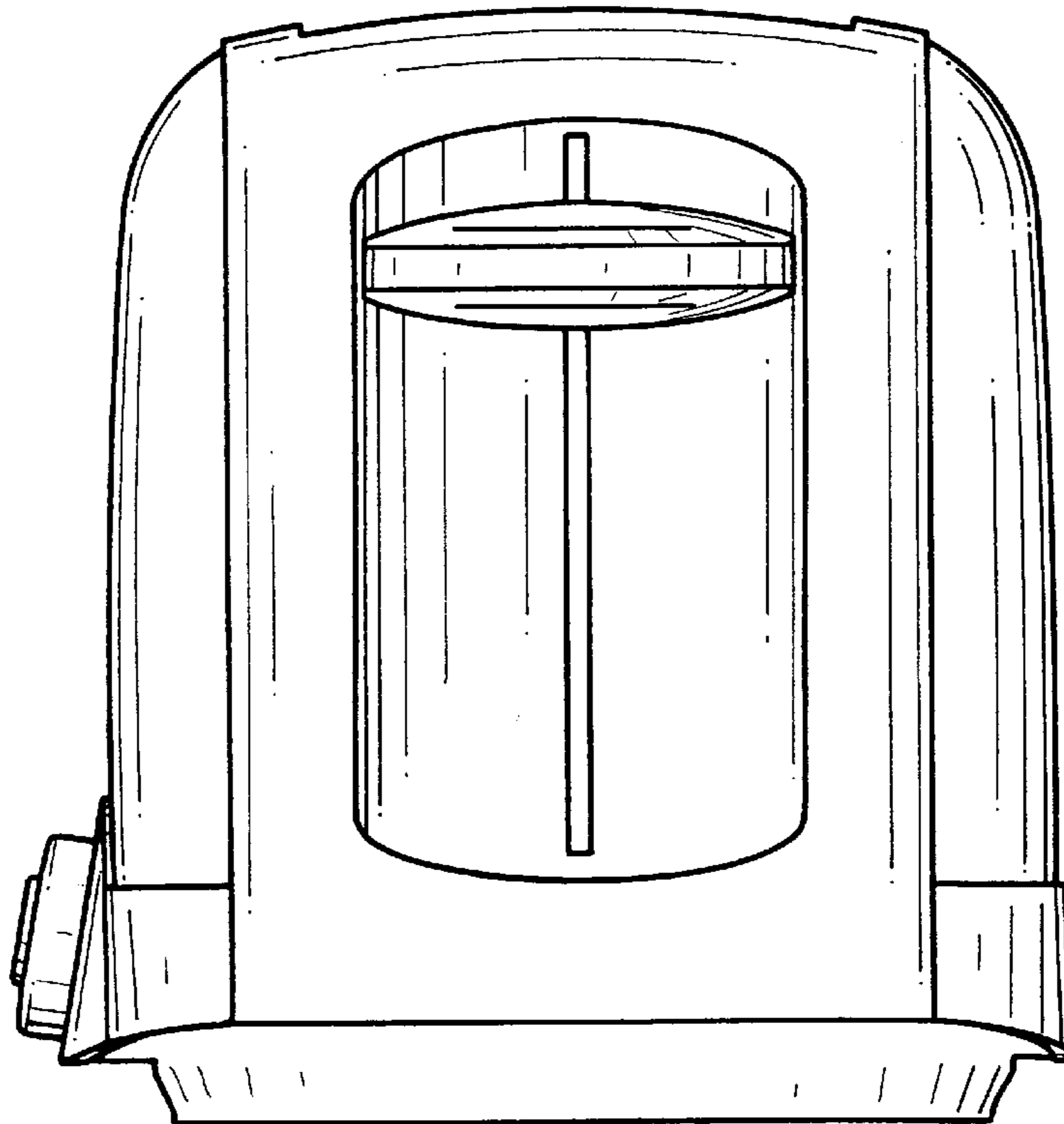


FIG. 3

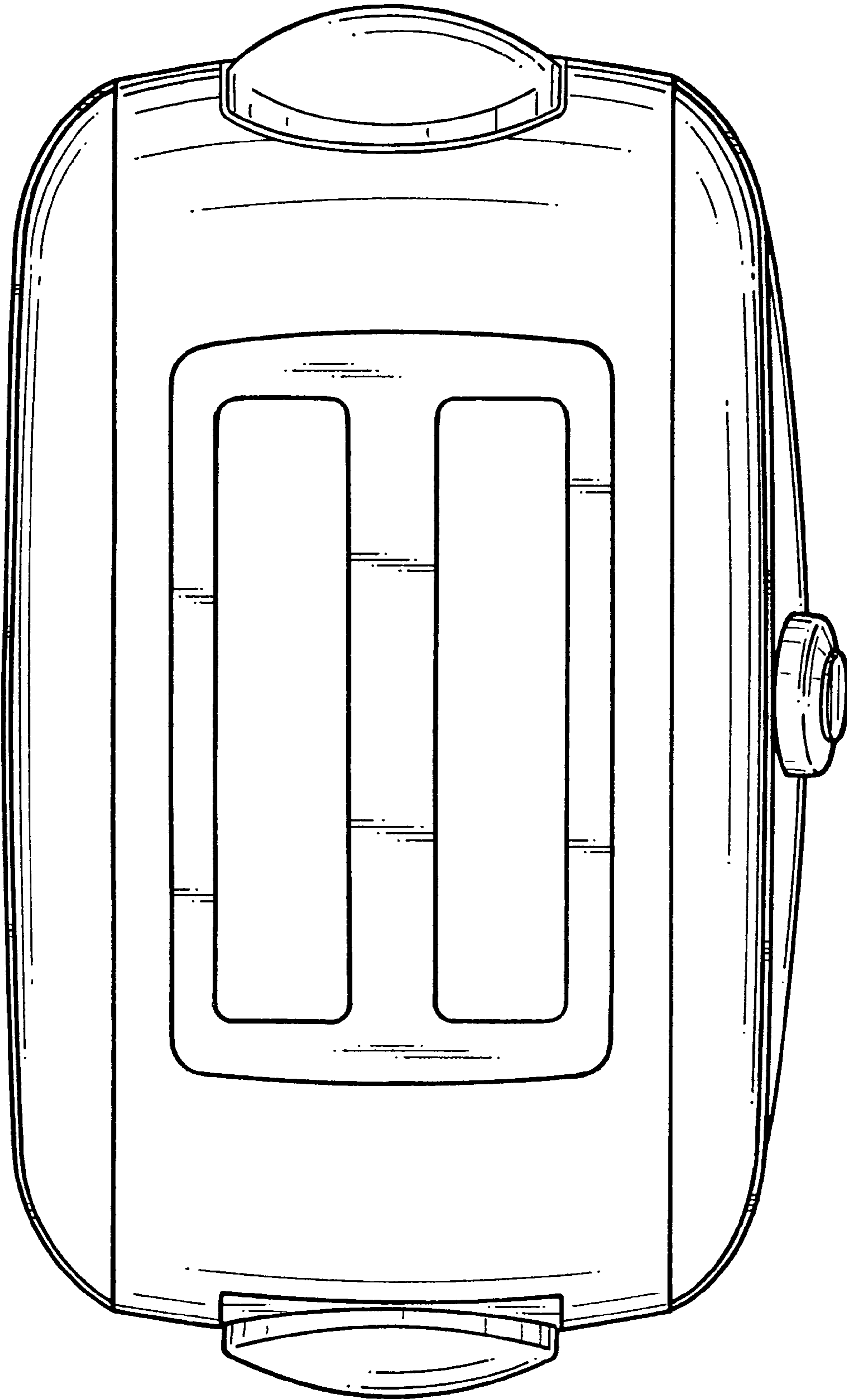


FIG. 5

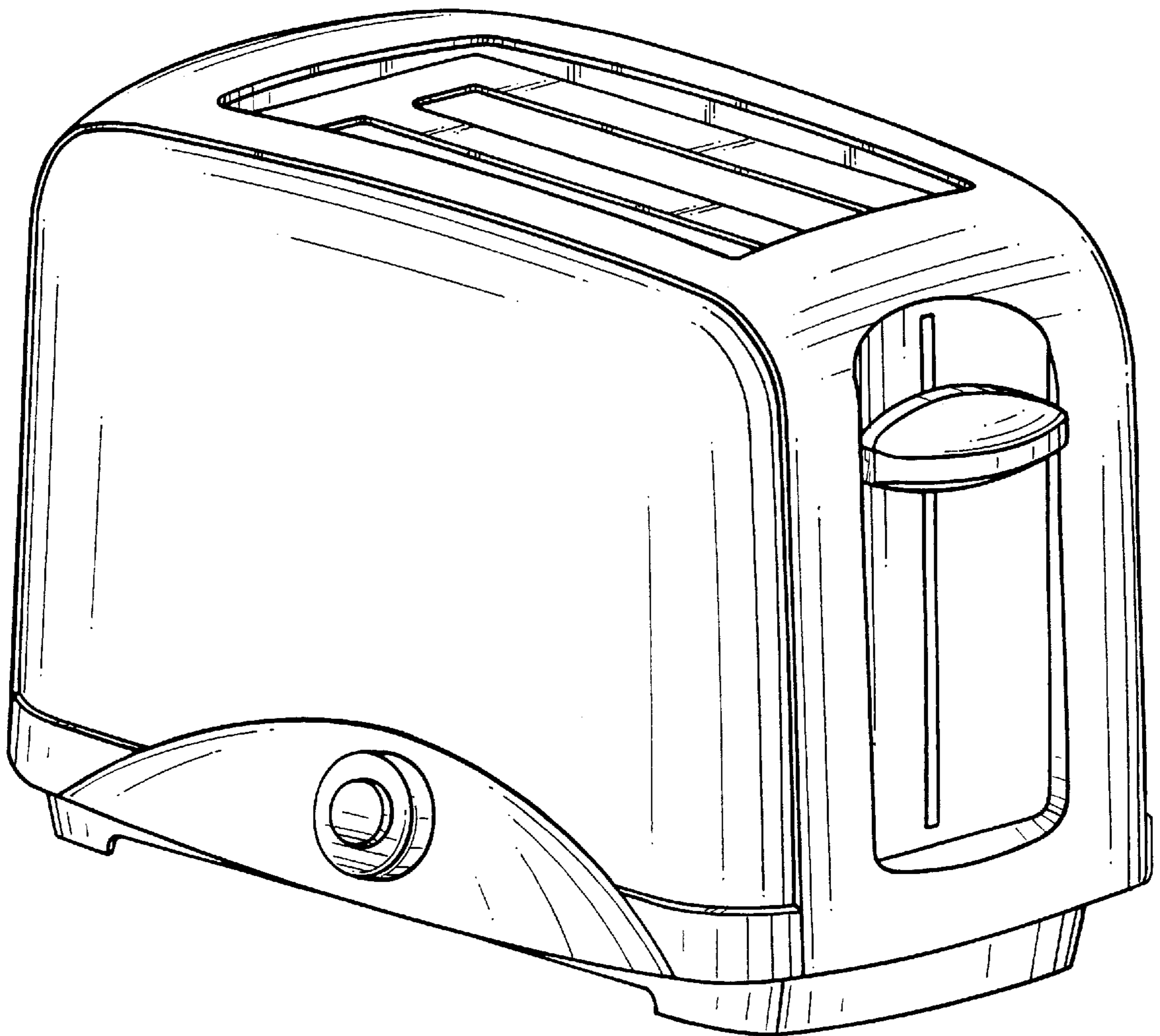


FIG. 6