



US00D415923S

United States Patent [19]

Hermansson

[11] Patent Number: Des. 415,923

[45] Date of Patent: ** Nov. 2, 1999

[54] **COOKING GRILL**

[76] Inventor: **A. E. Hermansson**, 1330 Stanbury Road, Oakville, Ontario, Canada, L6L 2J4

[**] Term: **14 Years**

[21] Appl. No.: **29/084,443**

[22] Filed: **Mar. 2, 1998**

[51] **LOC (6) Cl.** **07-02**

[52] **U.S. Cl.** **D7/323; D7/339; D7/362**

[58] **Field of Search** D7/332-337, 339-341, D7/347-348, 402-405, 352, 353, 350, 357, 323; 126/9 R, 25 R, 25 A-25 AA, 26, 29-30, 38, 39 E, 39 L, 40, 41 R, 51; 99/419-420, 421 R, 421 H, 443 R-443 C, 422, 425, 444, 446, 349, 372, 379, 385-391, 334

[56] **References Cited**

U.S. PATENT DOCUMENTS

Re. 34,671	7/1994	Long	99/386
D. 266,306	9/1982	Ansel	D7/352
D. 295,251	4/1988	Veniat	D7/328
D. 301,671	6/1989	Asten	D7/352
D. 317,842	7/1991	Boucher	D7/352
D. 369,269	4/1996	Fresno	D7/352
D. 379,051	5/1997	Jacquemin	D7/352
880,498	3/1908	Bates	99/377
1,722,127	7/1929	Burke	99/379
2,009,791	7/1935	Shroyer	99/377

2,632,379	3/1953	Kudo	99/375
2,719,903	10/1955	Oertli	219/521 X
3,312,161	4/1967	Nanna	99/377
3,520,249	7/1970	Miller, Jr.	99/357
3,776,124	12/1973	Morley	99/335
4,364,308	12/1982	John et al.	99/351
4,483,239	11/1984	Mueller et al.	99/340
4,484,516	11/1984	Bimman	99/349
4,690,044	9/1987	Verkler	99/372 X
4,976,194	12/1990	Kelterborn et al.	99/328
5,095,814	3/1992	Ott et al.	99/391
5,193,439	3/1993	Finesman et al.	99/327
5,363,748	11/1994	Boehm et al.	99/372
5,473,976	12/1995	Hermansson	99/349
5,755,150	5/1998	Matsumoto et al.	99/334
5,802,958	9/1998	Hermansson	99/349

Primary Examiner—Ruth McInroy

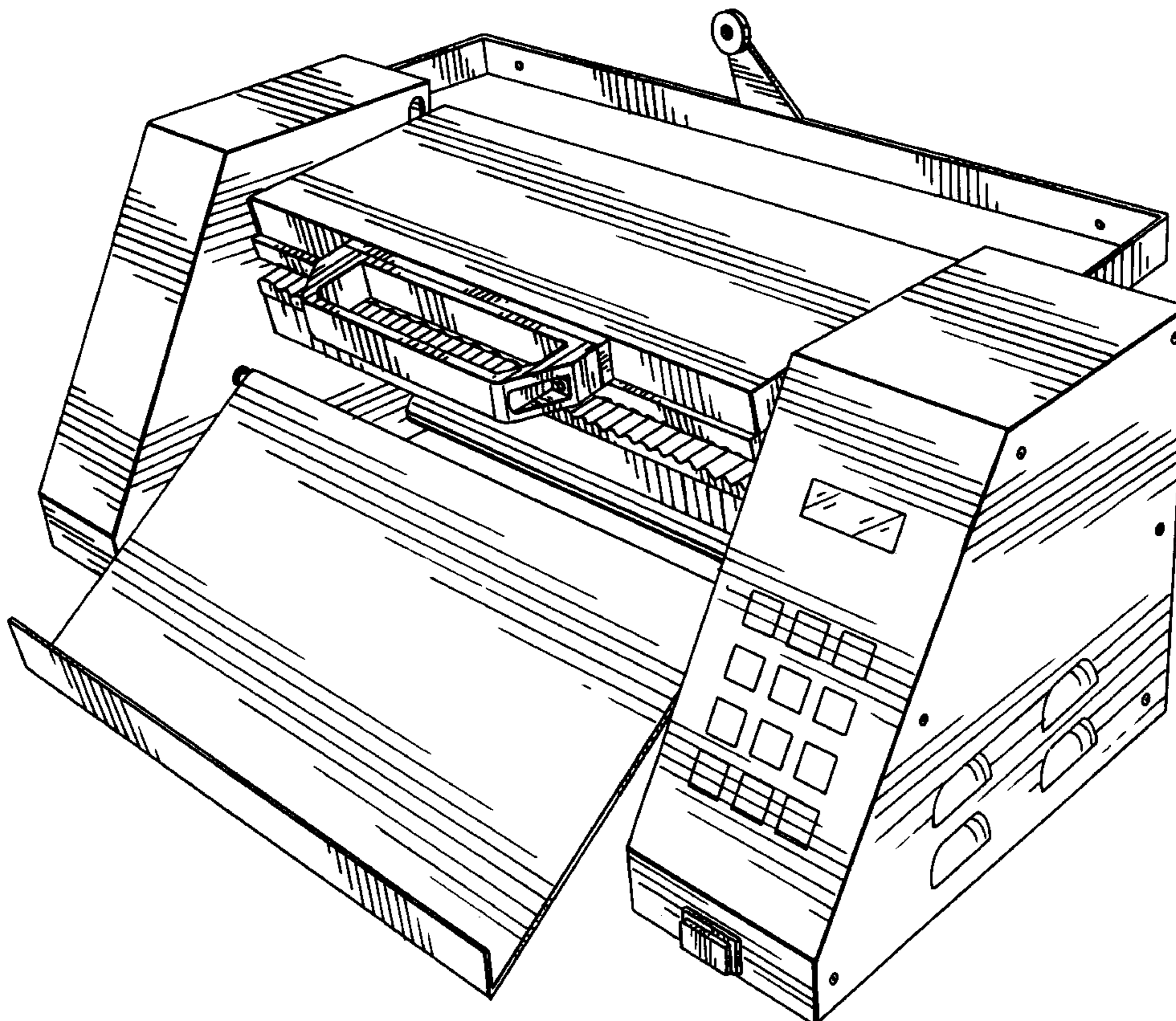
[57] **CLAIM**

The ornamental design for a cooking grill, as described and shown.

DESCRIPTION

FIG. 1 is a front and side perspective view of a cooking grill showing my new design;
FIG. 2 is a front elevation view thereof;
FIG. 3 is a top plan view thereof;
FIG. 4 is a left side elevation view thereof;
FIG. 5 is a right side elevation view thereof; and,
FIG. 6 is a rear elevation view thereof.

1 Claim, 4 Drawing Sheets



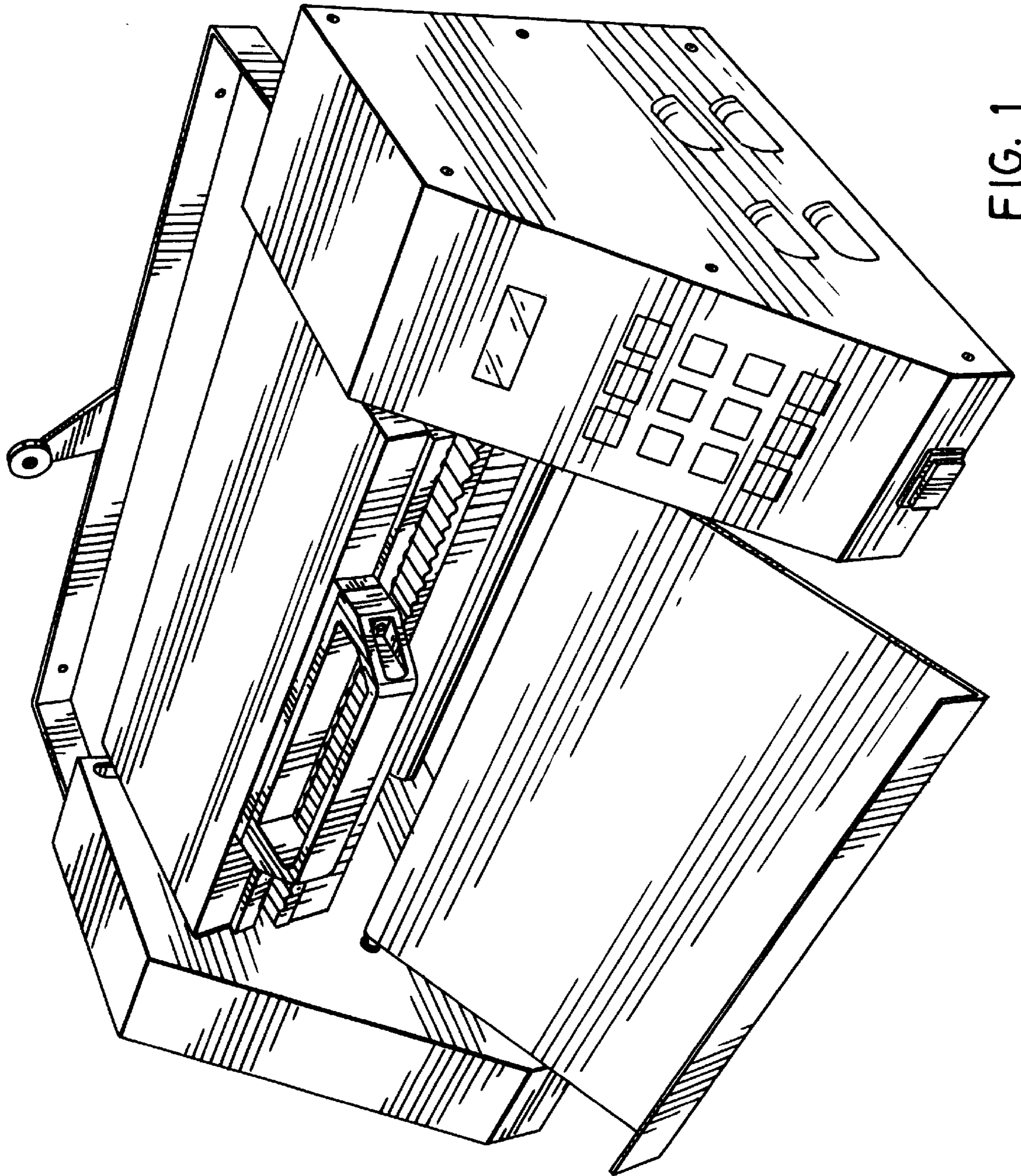


FIG. 1

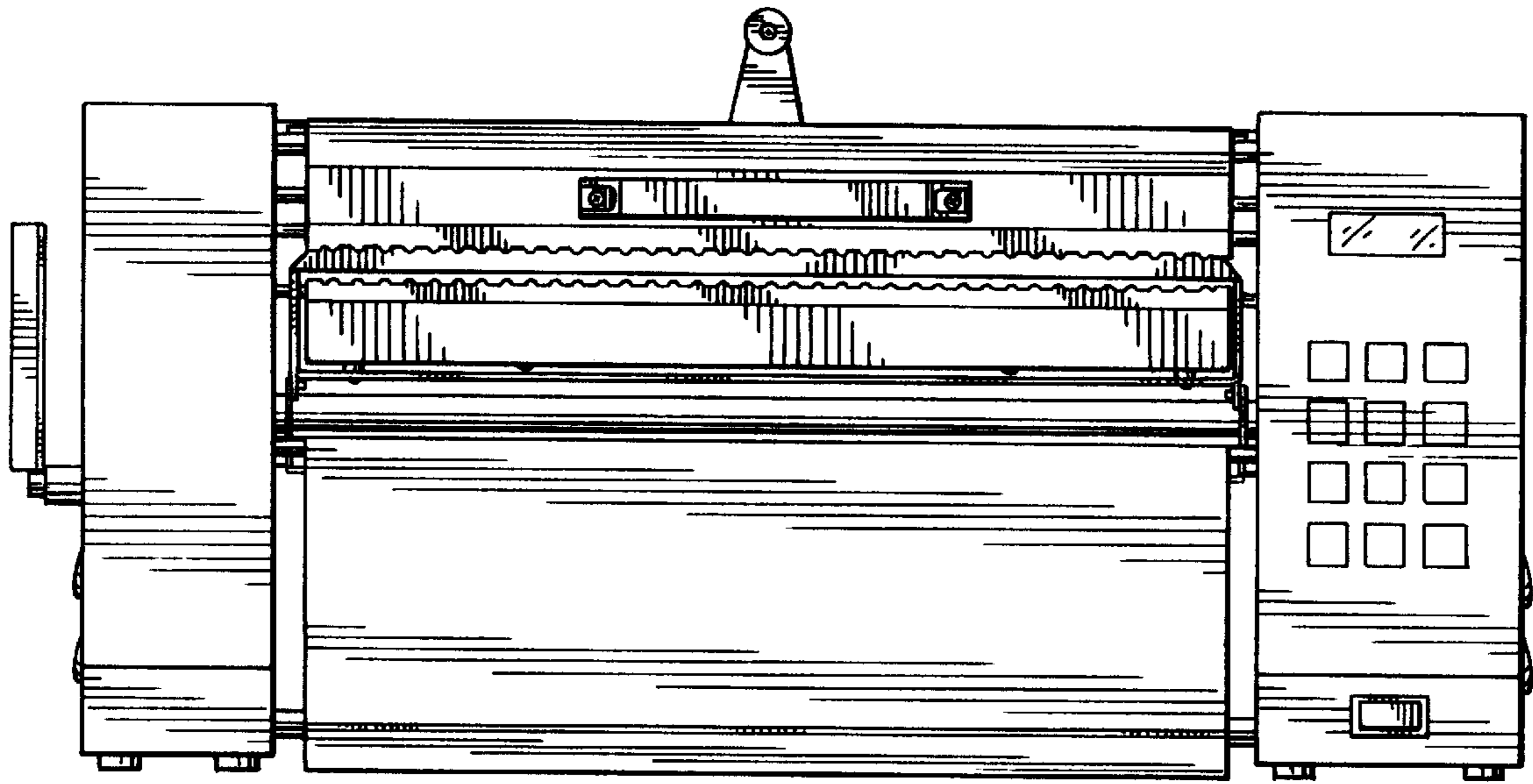


FIG. 2

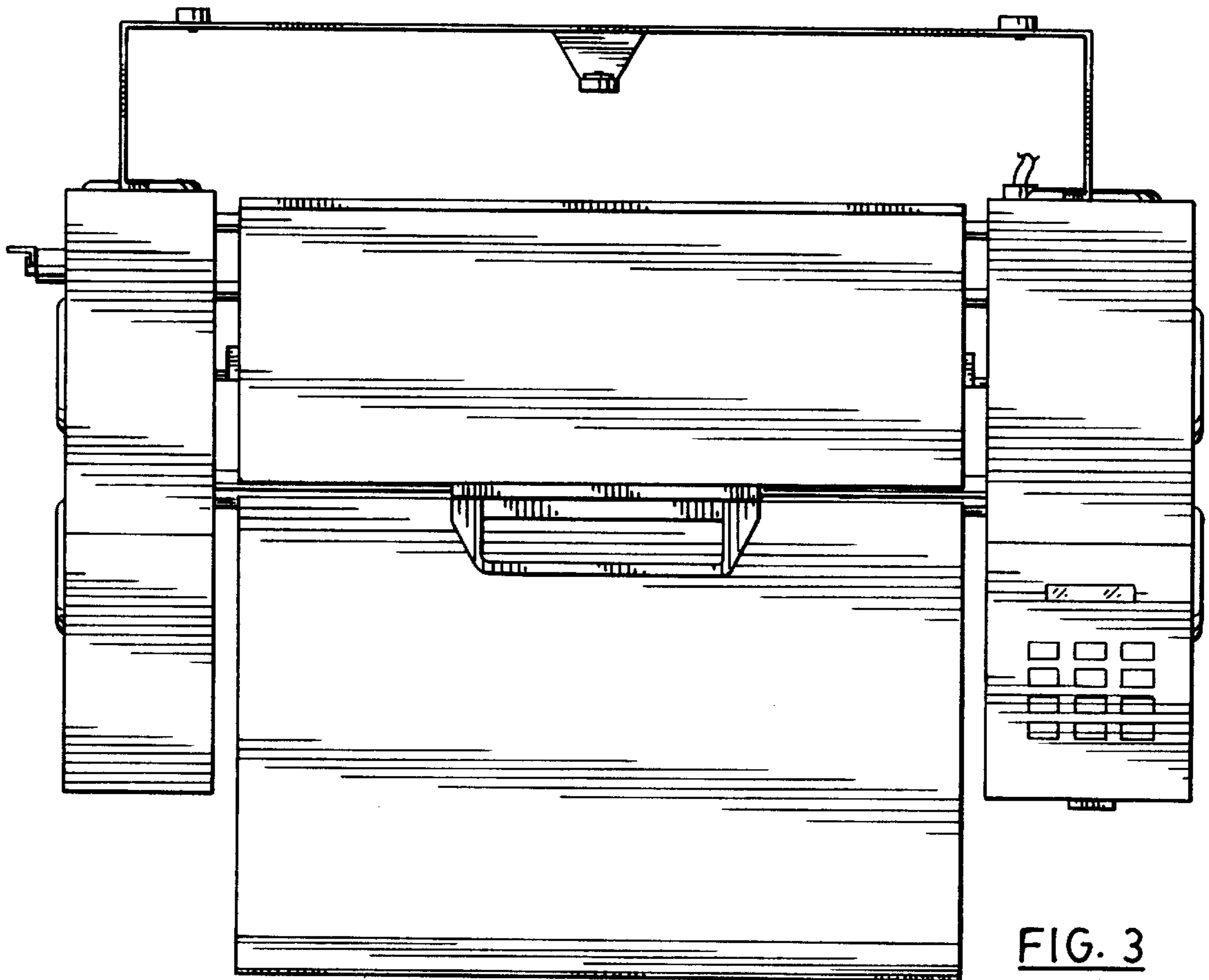


FIG. 3

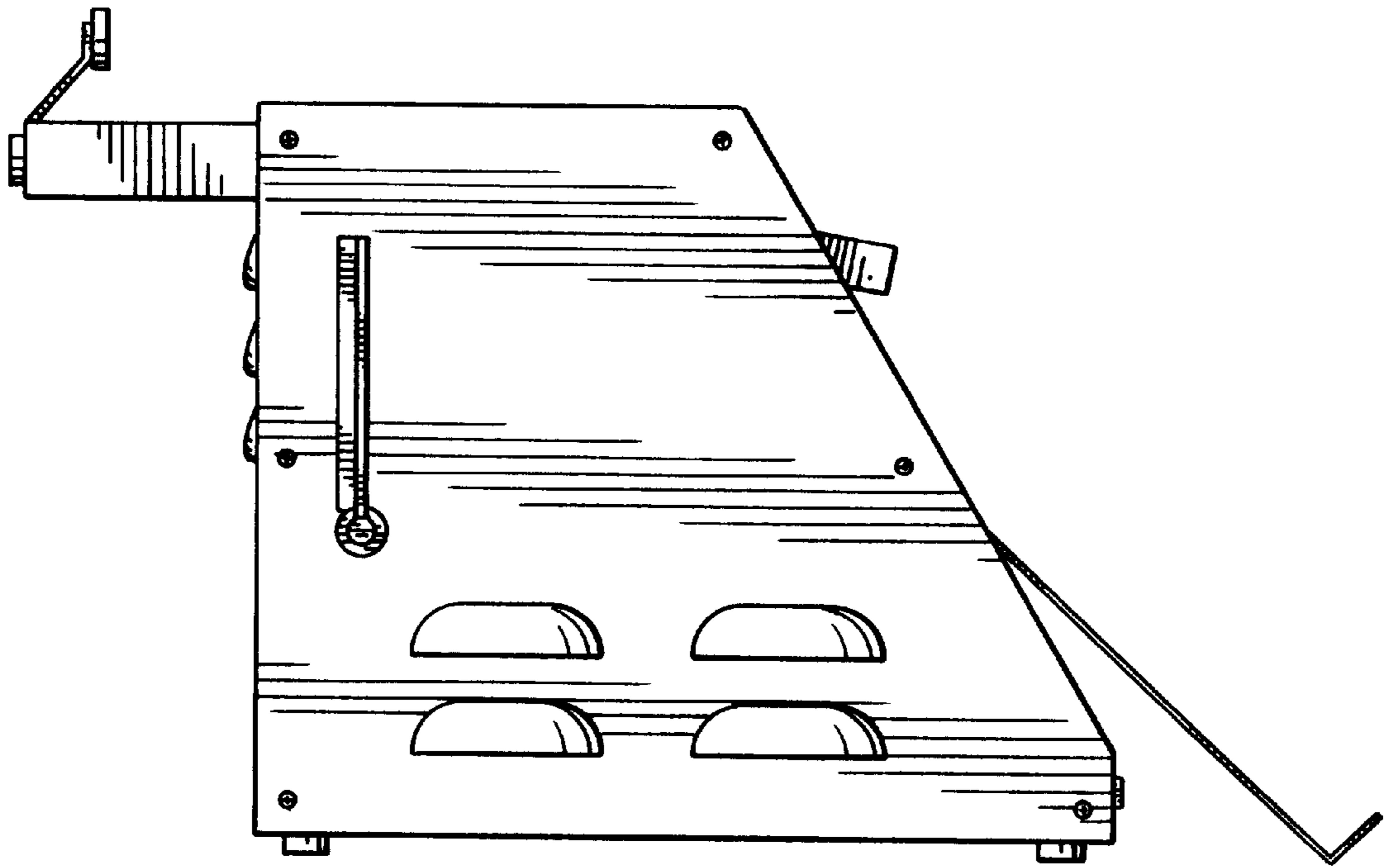


FIG. 4

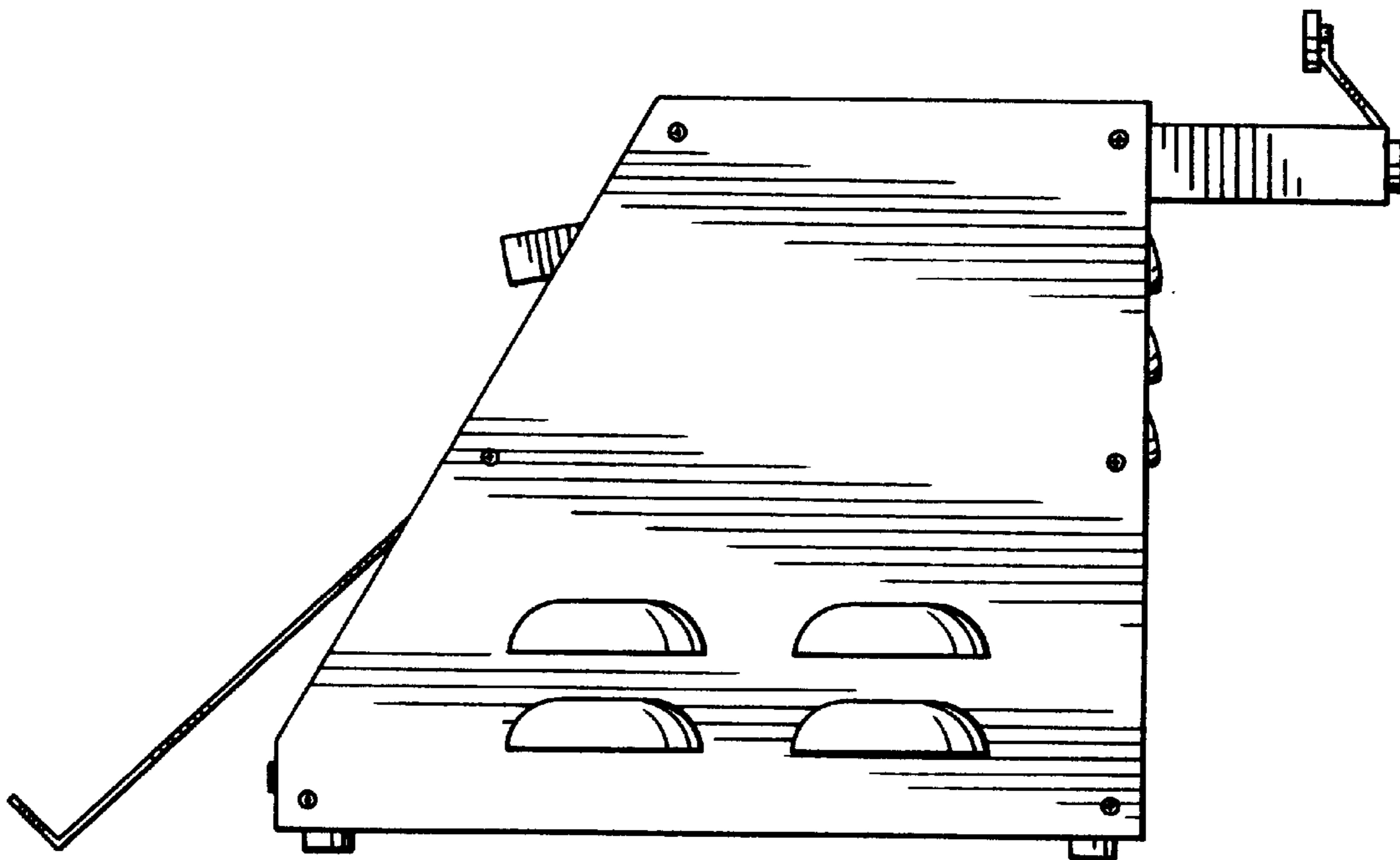


FIG. 5

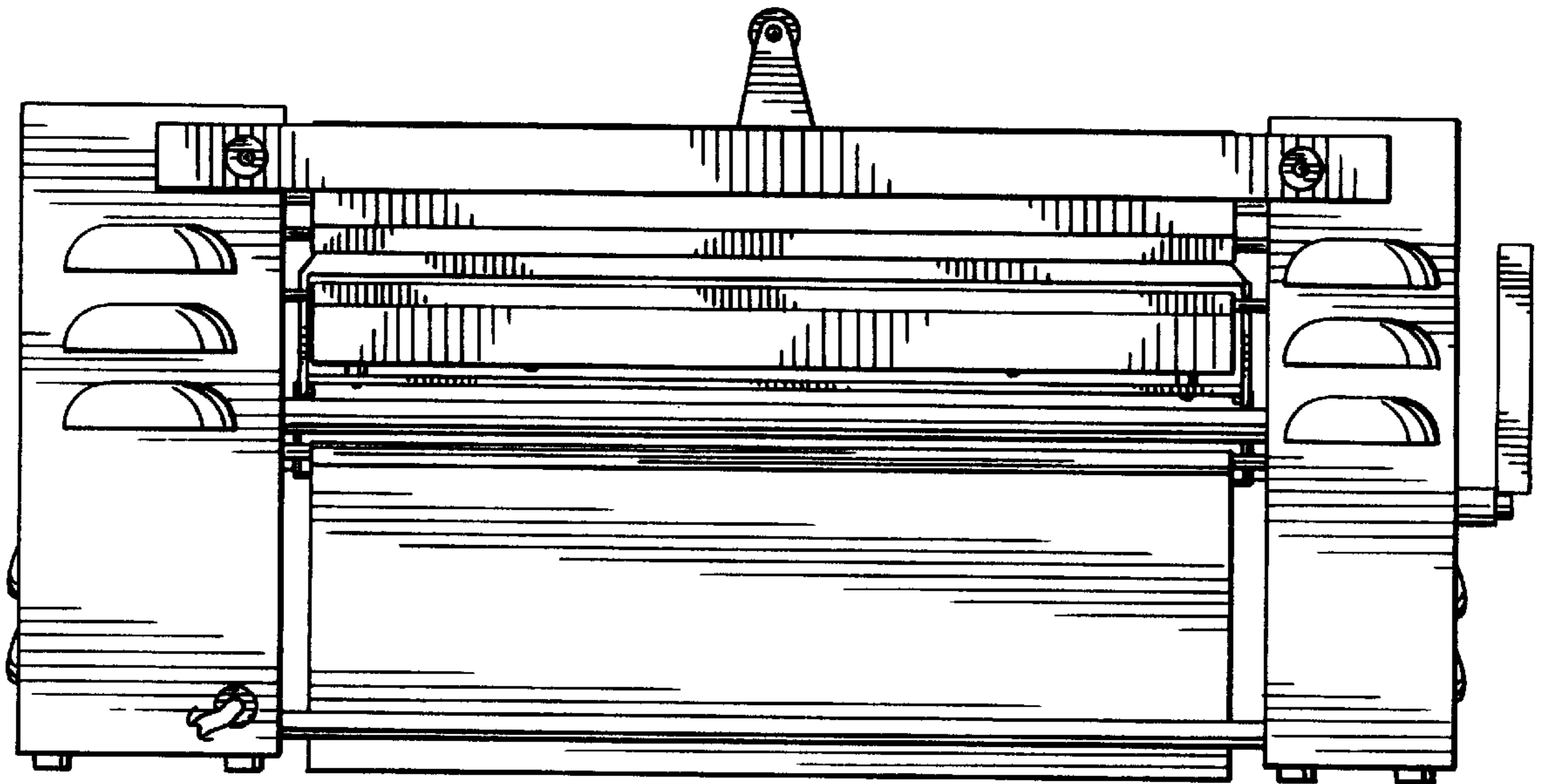


FIG. 6