



US00D415916S

United States Patent [19]

[11] **Patent Number: Des. 415,916**

Hofman et al.

[45] **Date of Patent: ** *Nov. 2, 1999**

[54] **SHOWER CADDY**

[75] Inventors: **James A. Hofman**, Hockessin, Del.;
David L. Walker, Chester, Pa.

[73] Assignee: **Zenith Products Corporation**, New Castle, Del.

[*] Notice: This patent is subject to a terminal disclaimer.

[**] Term: **14 Years**

[21] Appl. No.: **29/092,553**

[22] Filed: **Aug. 21, 1998**

[51] **LOC (6) Cl.** **07-07**

[52] **U.S. Cl.** **D6/525**

[58] **Field of Search** D6/524, 525, 566;
211/86.01, 106, 181.1; 248/108, 109, 175,
176

[56] **References Cited**

U.S. PATENT DOCUMENTS

D. 340,604 10/1993 Conaway et al. D6/525

D. 370,809 6/1996 Munoz et al. D6/525
D. 371,031 6/1996 Munoz et al. D6/525
D. 395,773 7/1998 Hofman D6/525
D. 397,567 9/1998 Hofman D6/525
3,789,996 2/1974 Stroh 211/181.1 X

Primary Examiner—Brian N. Vinson
Attorney, Agent, or Firm—Edgar A. Zarins; Leon E. Redman; Myron B. Kapustij

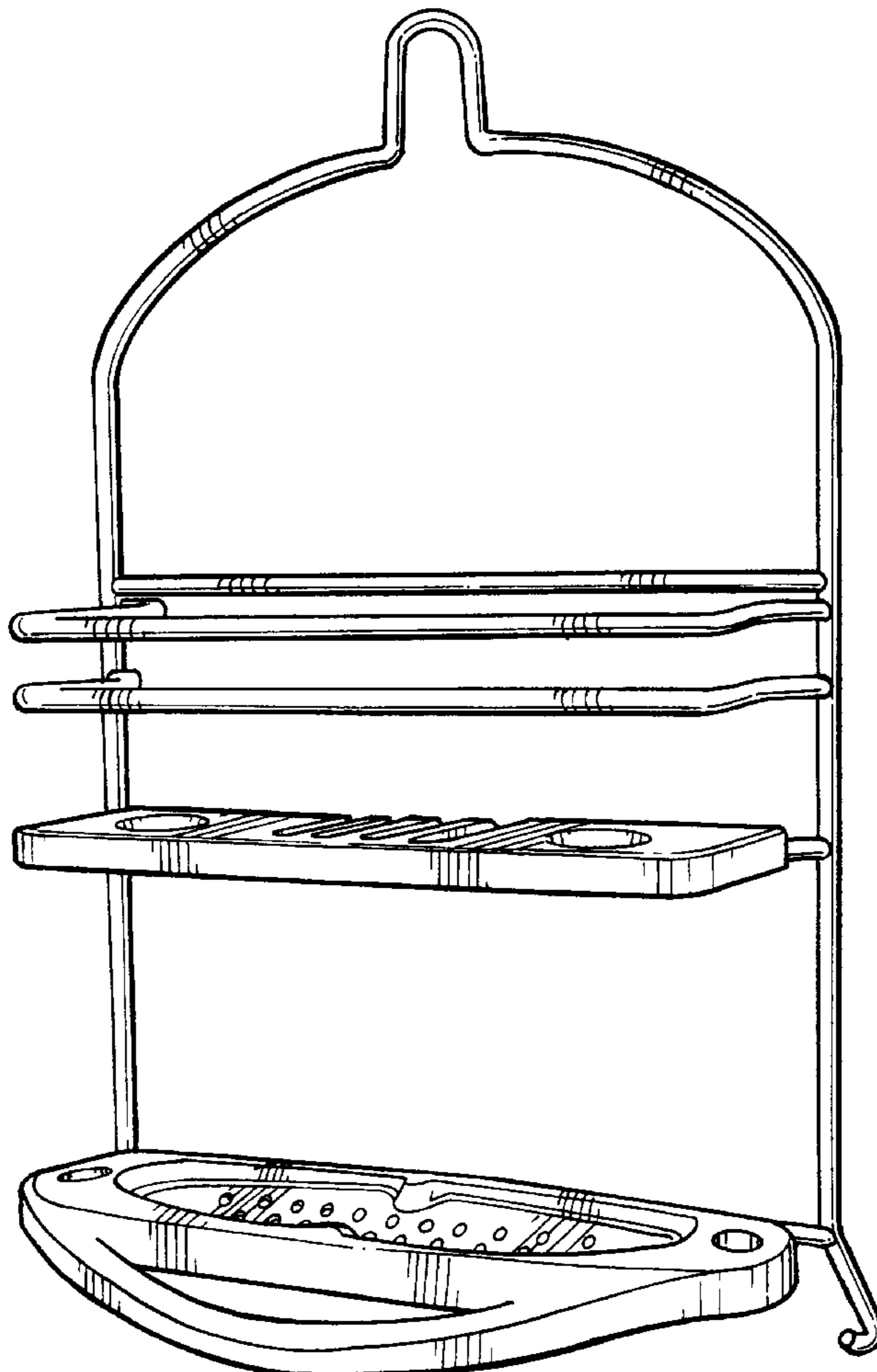
[57] **CLAIM**

The ornamental design for a shower caddy, as shown and described.

DESCRIPTION

FIG. 1 is a perspective view of a shower caddy showing our new design;
FIG. 2 is a front elevational view thereof;
FIG. 3 is a left side view thereof, the opposite side being a mirror image of the side shown;
FIG. 4 is top plan view thereof; and,
FIG. 5 is a bottom plan view thereof.

1 Claim, 3 Drawing Sheets



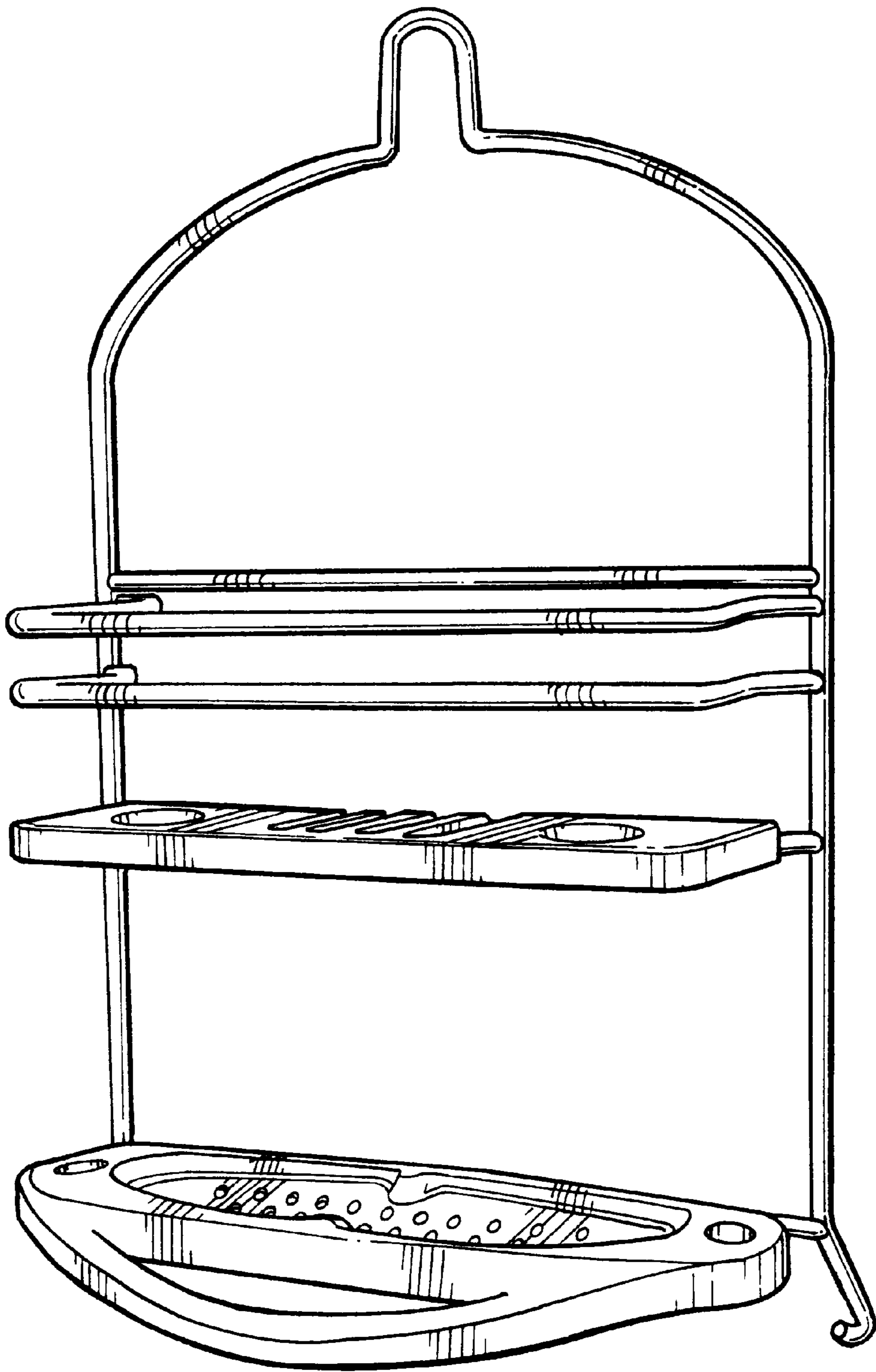


Fig-1

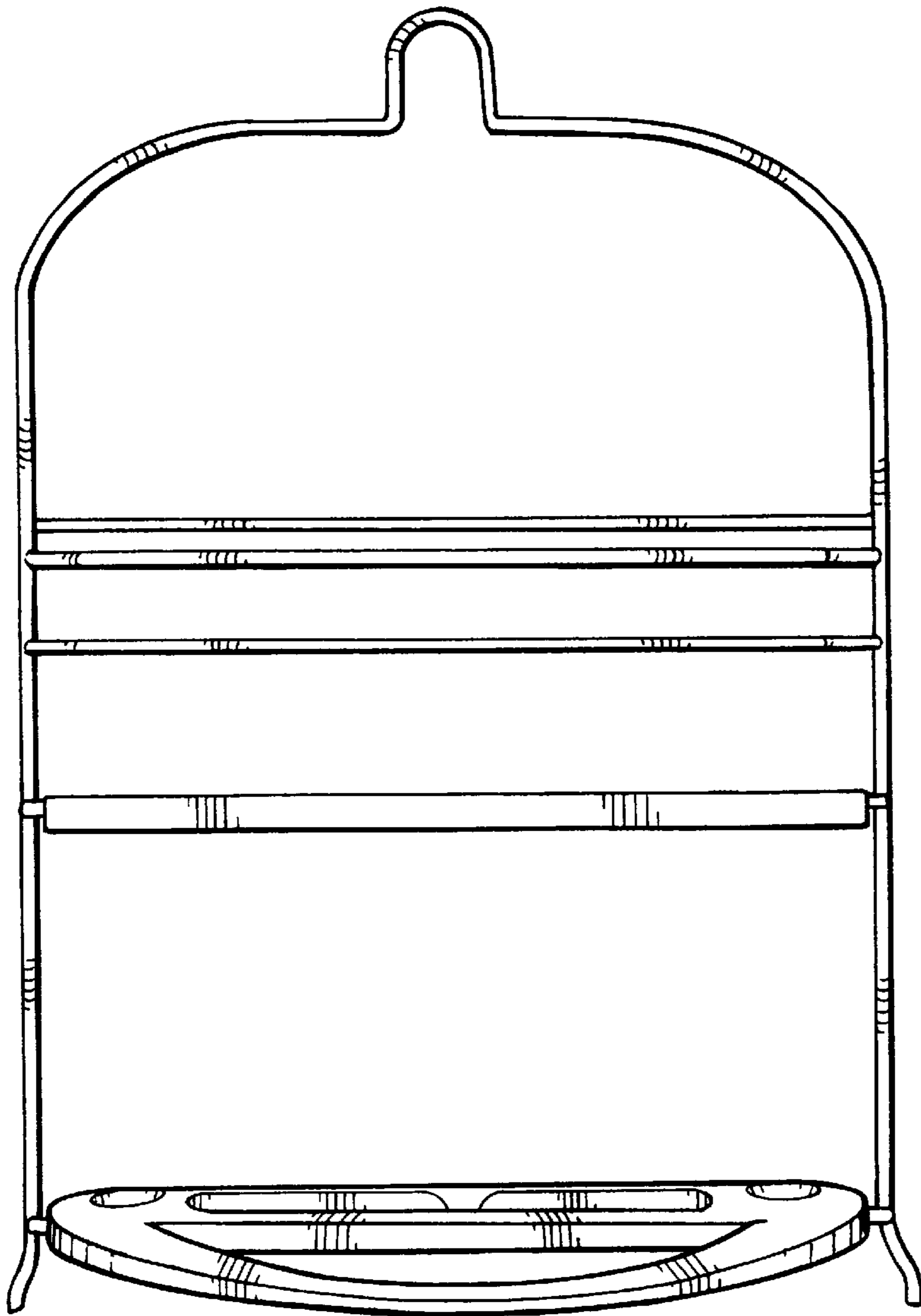


Fig-2

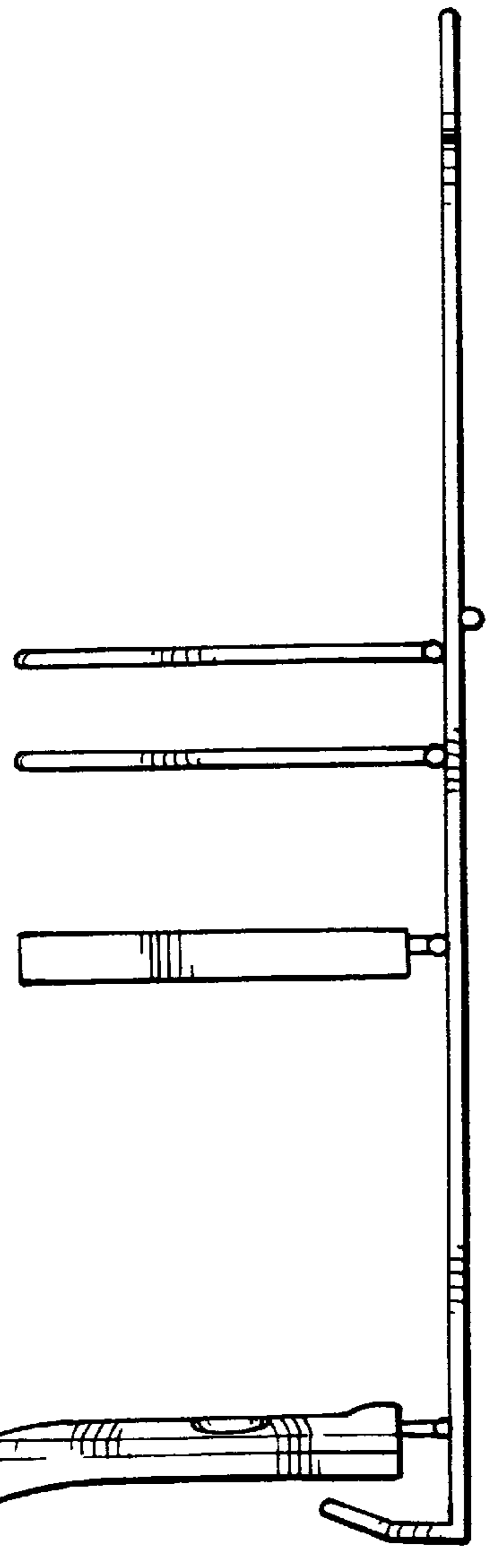


Fig-3

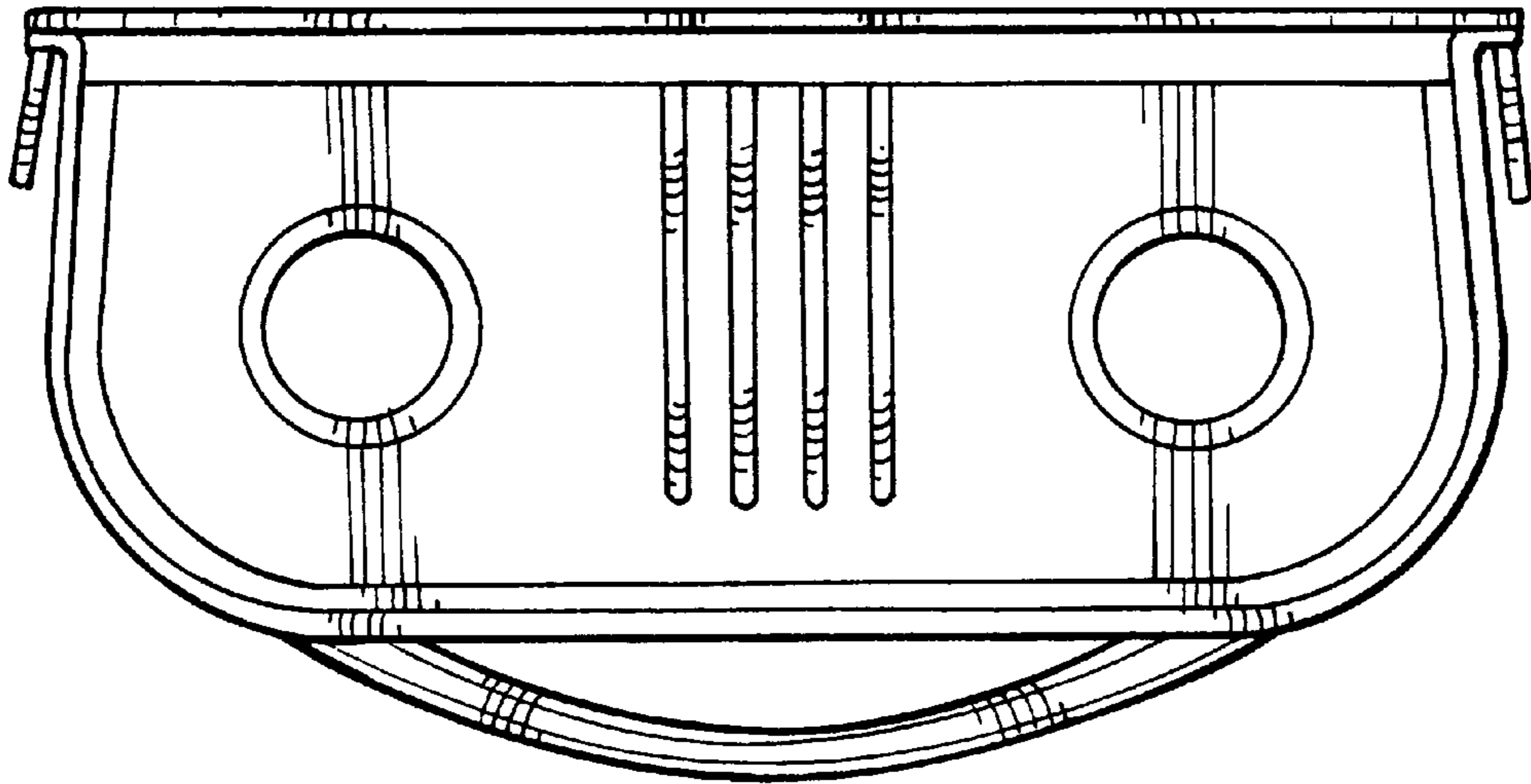


Fig-4

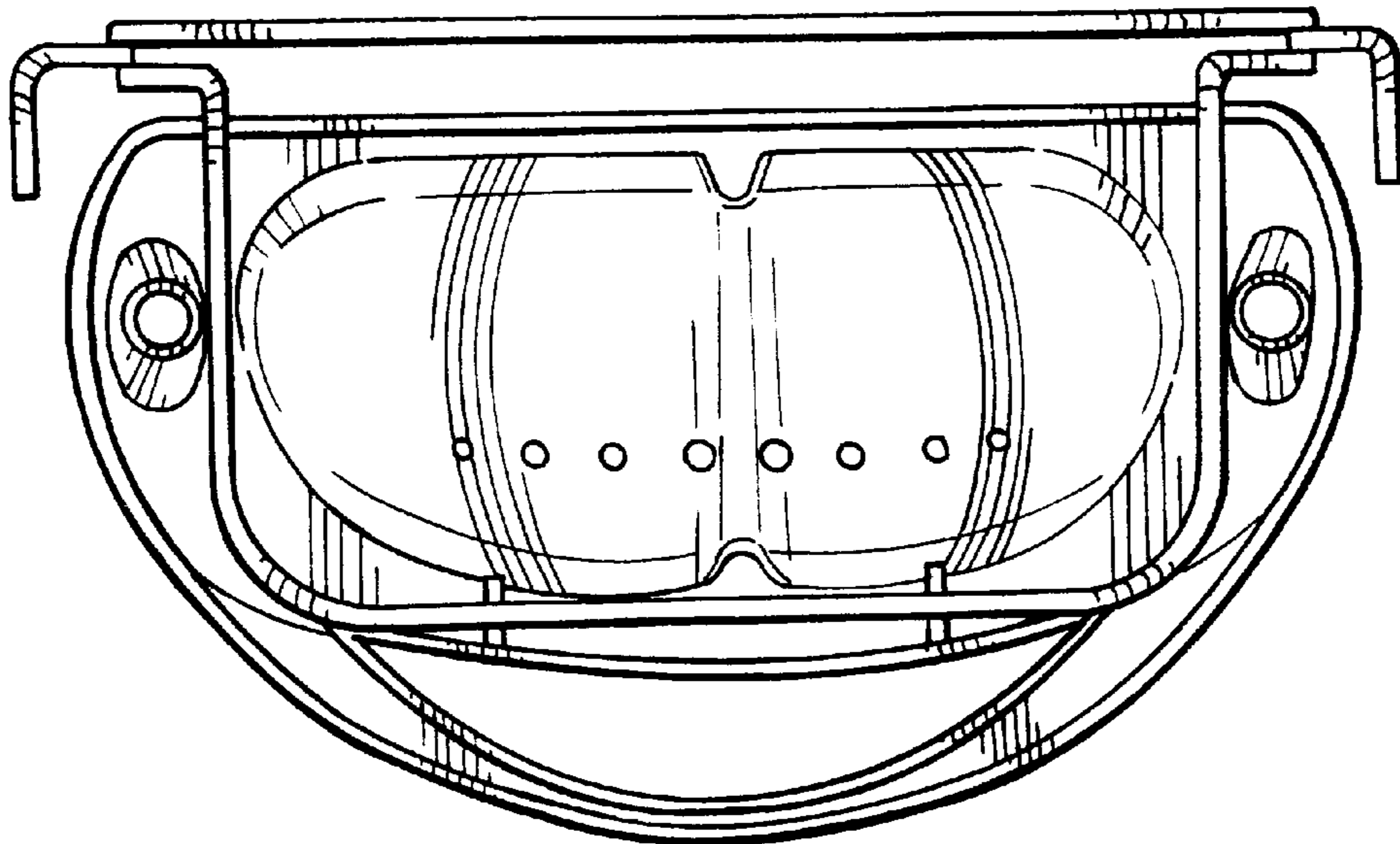


Fig-5