



US00D415915S

# United States Patent [19] Camilleri et al.

[11] **Patent Number: Des. 415,915**  
[45] **Date of Patent: \*\* Nov. 2, 1999**

[54] **PAPER TOWEL RACK**  
[75] Inventors: **Charles F. Camilleri**, St. Louis, Mo.;  
**Stanley T. Gresens**, Charlestown, Mass.  
[73] Assignee: **Newell Operating Company**, Freeport,  
Ill.  
[\*\*] Term: **14 Years**

634,908	10/1899	Perry .....	211/106
736,442	8/1903	Pratt .....	211/106
2,271,941	2/1942	Kemmitt .....	211/90 X
4,511,047	4/1985	Elinsky .....	211/90
4,597,616	7/1986	Trubiano .....	211/181 X
4,685,575	8/1987	Kulbersh .....	211/90
4,830,200	5/1989	Zambano et al. ....	211/181 X
5,405,026	4/1995	Lee et al. ....	211/106 X
5,437,380	8/1995	Paey et al. ....	211/181 X
5,588,543	12/1996	Finger .....	211/90

[21] Appl. No.: **29/087,481**  
[22] Filed: **May 4, 1998**

### Related U.S. Application Data

[63] Continuation of application No. 08/923,827, Sep. 4, 1997, abandoned, which is a continuation of application No. 08/661,928, Jun. 11, 1996, abandoned.

[51] **LOC (6) Cl.** ..... **07-07**  
[52] **U.S. Cl.** ..... **D6/522; D6/513**  
[58] **Field of Search** ..... **D6/512-514, 522, 510; 206/557; 211/13.1, 30, 31, 34, 35, 42, 71, 86-88, 90, 106, 126.1, 126.9, 134, 181.1; D3/304, 306, 315**

### References Cited

#### U.S. PATENT DOCUMENTS

D. 242,888	1/1977	Mazie et al. ....	D6/566 X
318,252	5/1885	Holmes .....	211/90 X
D. 322,378	12/1991	Colman .....	D6/566
D. 328,993	9/1992	Rosenthal .....	D6/566
D. 392,488	3/1998	Emery et al. ....	D6/566
D. 407,930	4/1999	Camilleri et al. ....	D6/513

### OTHER PUBLICATIONS

Closetmaid® The Storage Authority, Retail Price List, Effective May 1, 1995; pp. 19-20.  
Closetmaid® The Storage Authority, Retail Shelving and Storage; pp. 12-14.

*Primary Examiner*—Brian N. Vinson  
*Attorney, Agent, or Firm*—Foley & Lardner

### CLAIM

[57] The ornamental design for a paper towel rack, as shown and described.

### DESCRIPTION

FIG. 1 is a top perspective view of a paper towel rack showing our new design;  
FIG. 2 is a left side elevational view thereof, the right side elevational view being a mirror image of the left side elevational view shown;  
FIG. 3 is a top plan view thereof;  
FIG. 4 is a rear elevational view thereof;  
FIG. 5 is a bottom plan view thereof; and,  
FIG. 6 is a front elevational view thereof.

**1 Claim, 3 Drawing Sheets**

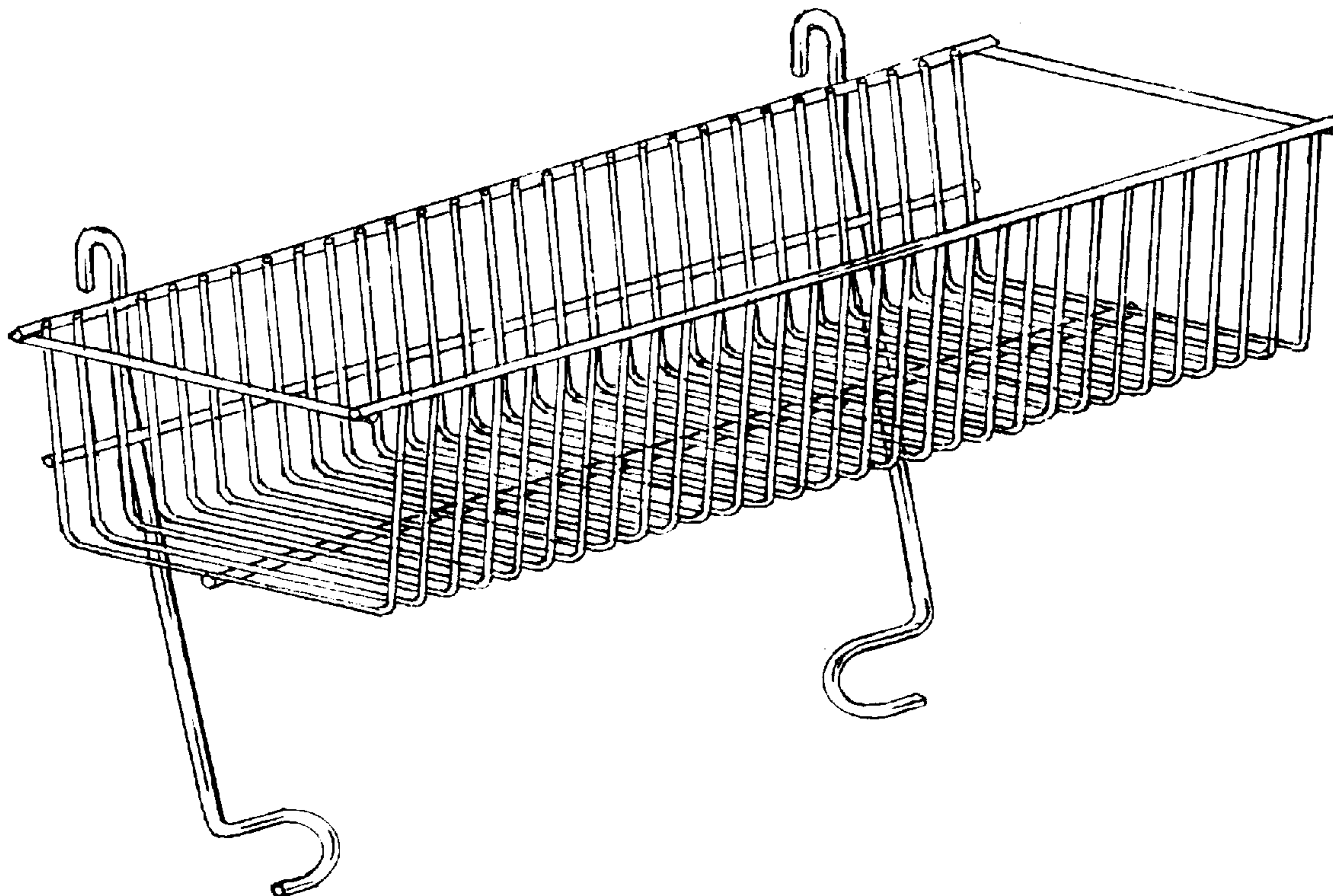


FIG. 1

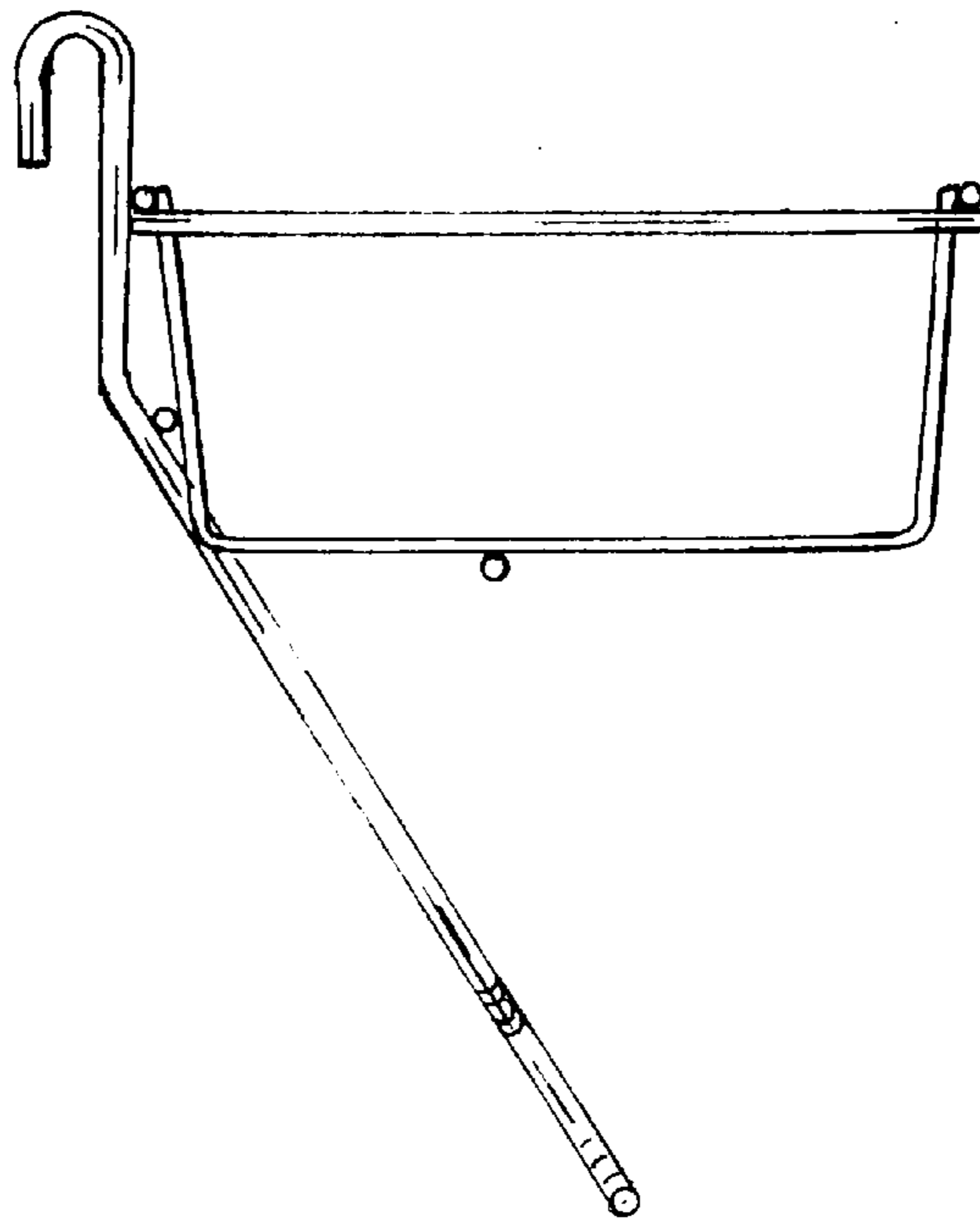
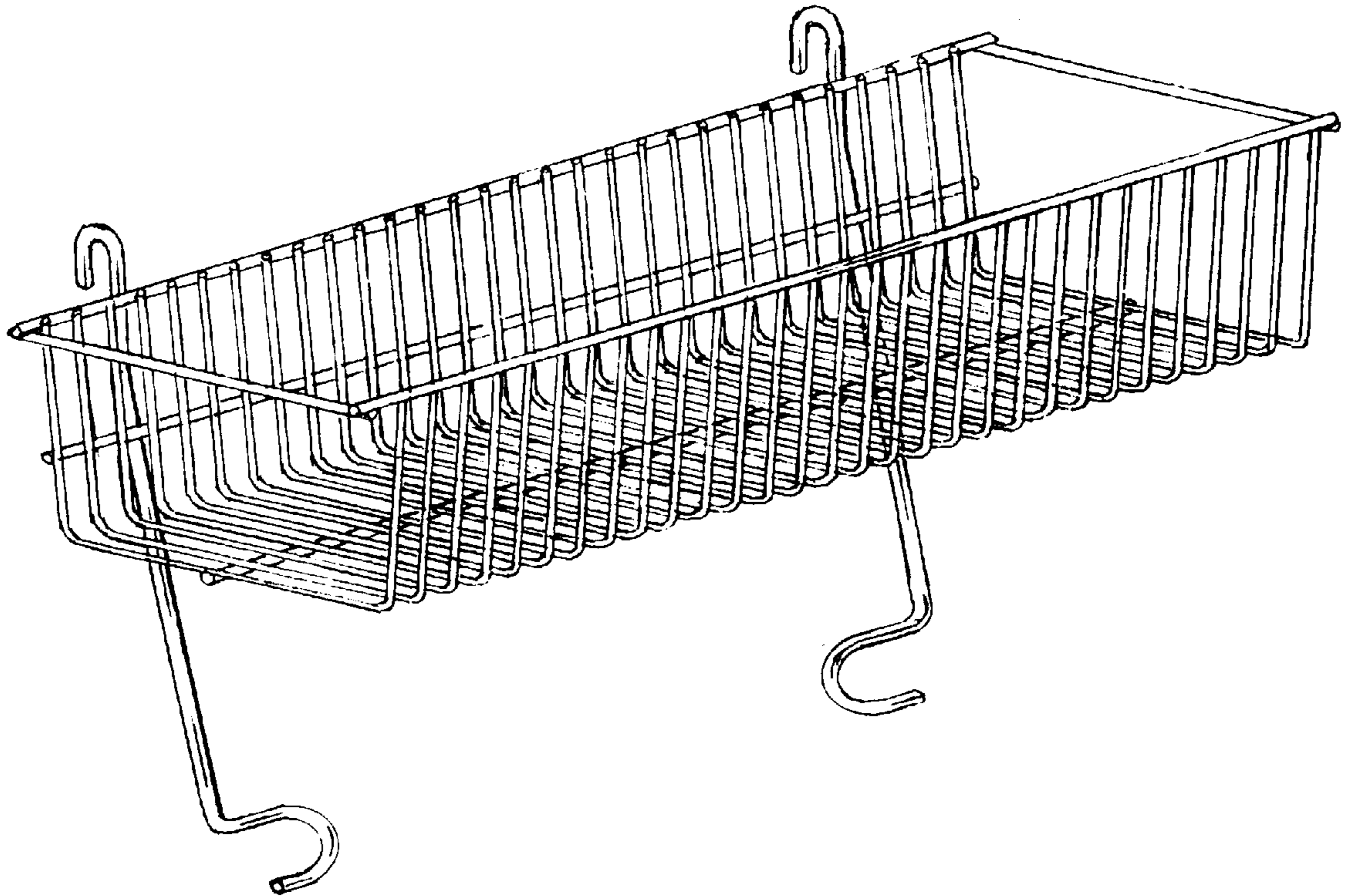


FIG. 2

FIG. 3

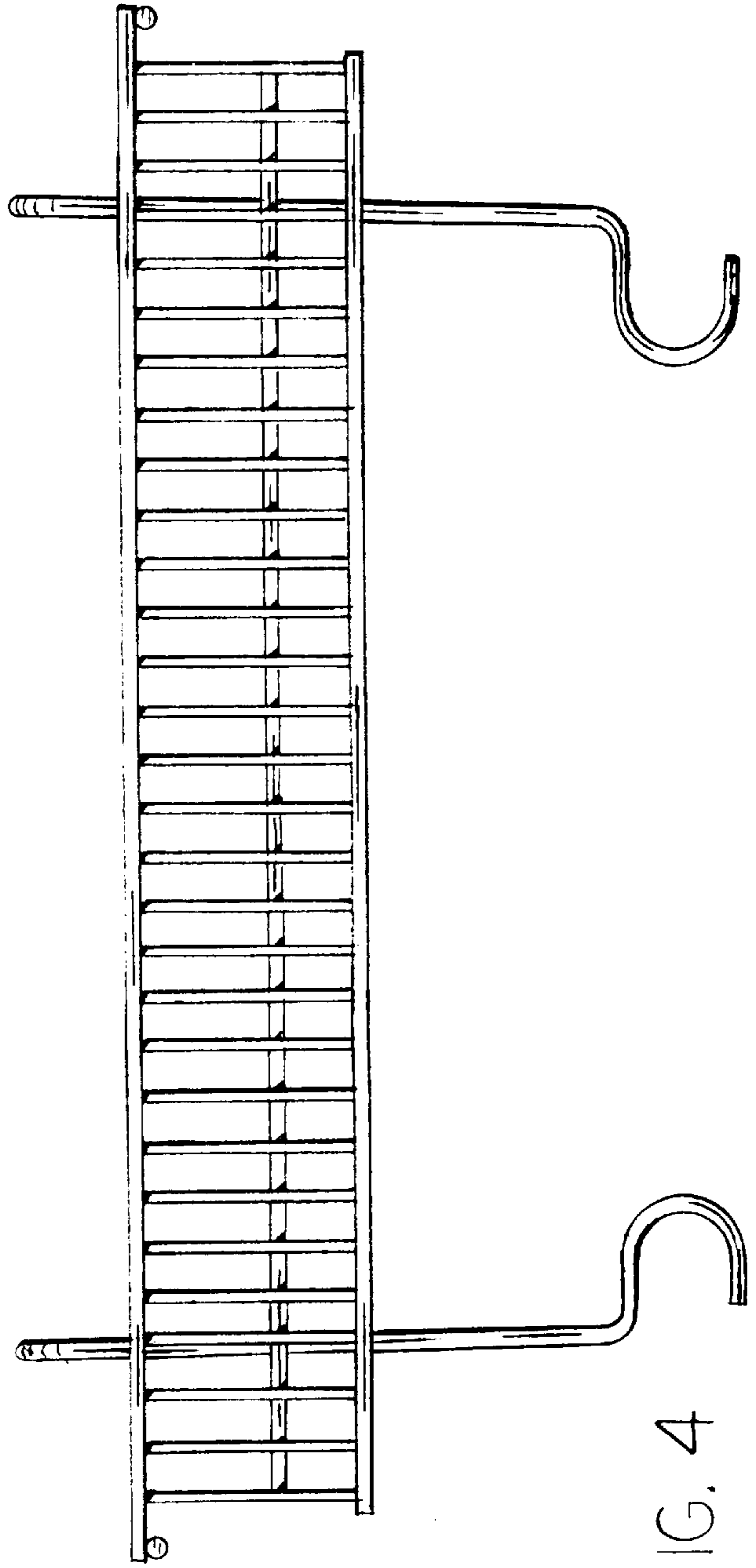
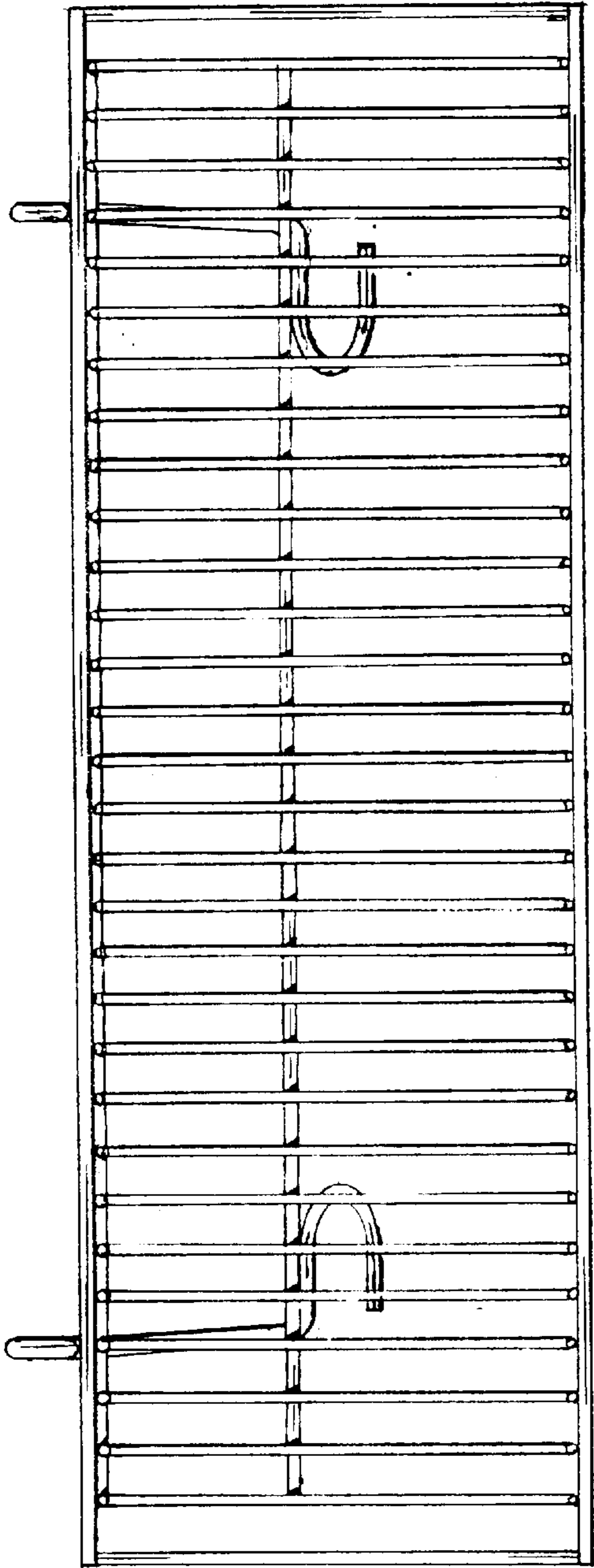


FIG. 4



FIG. 5

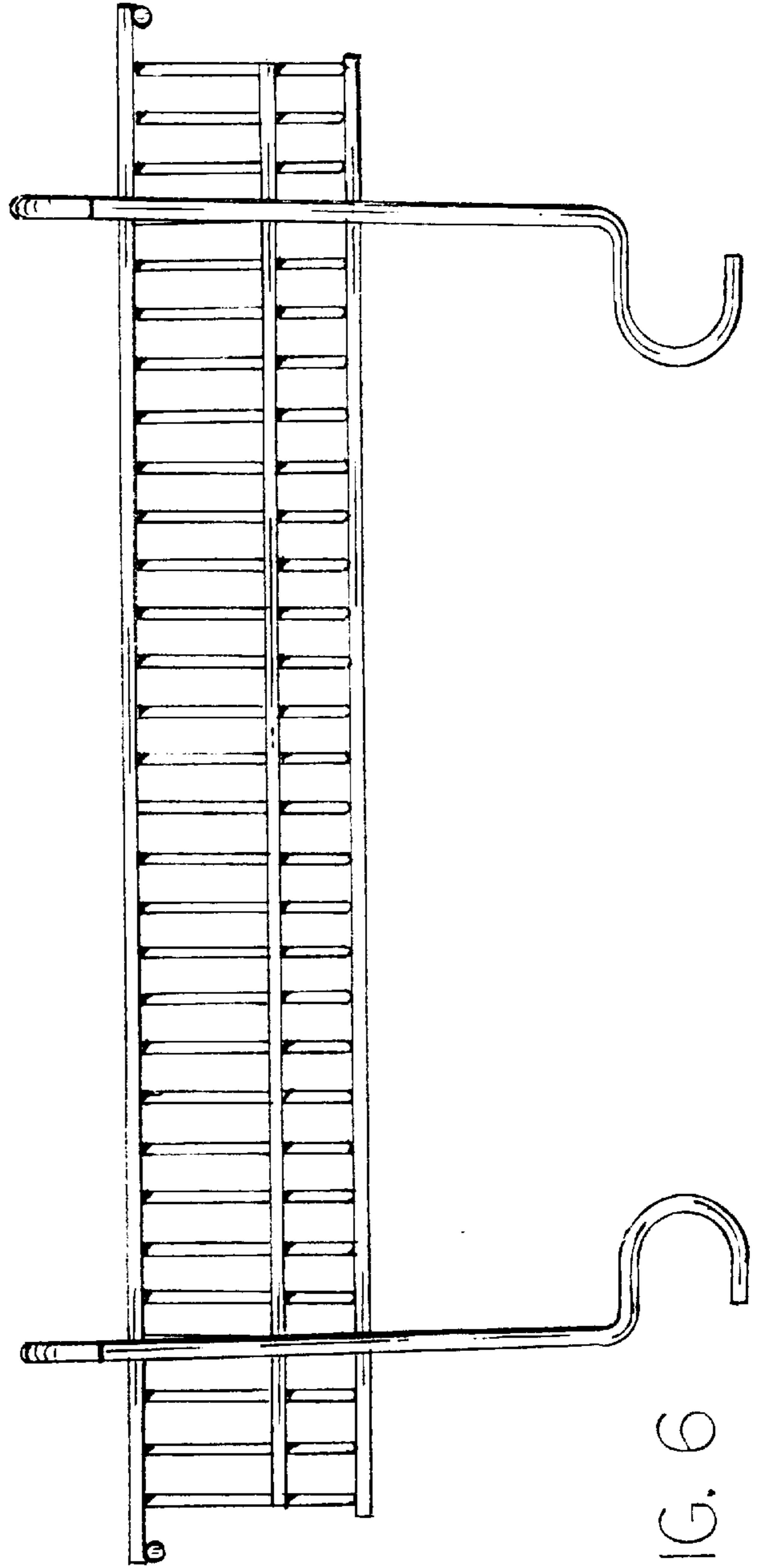
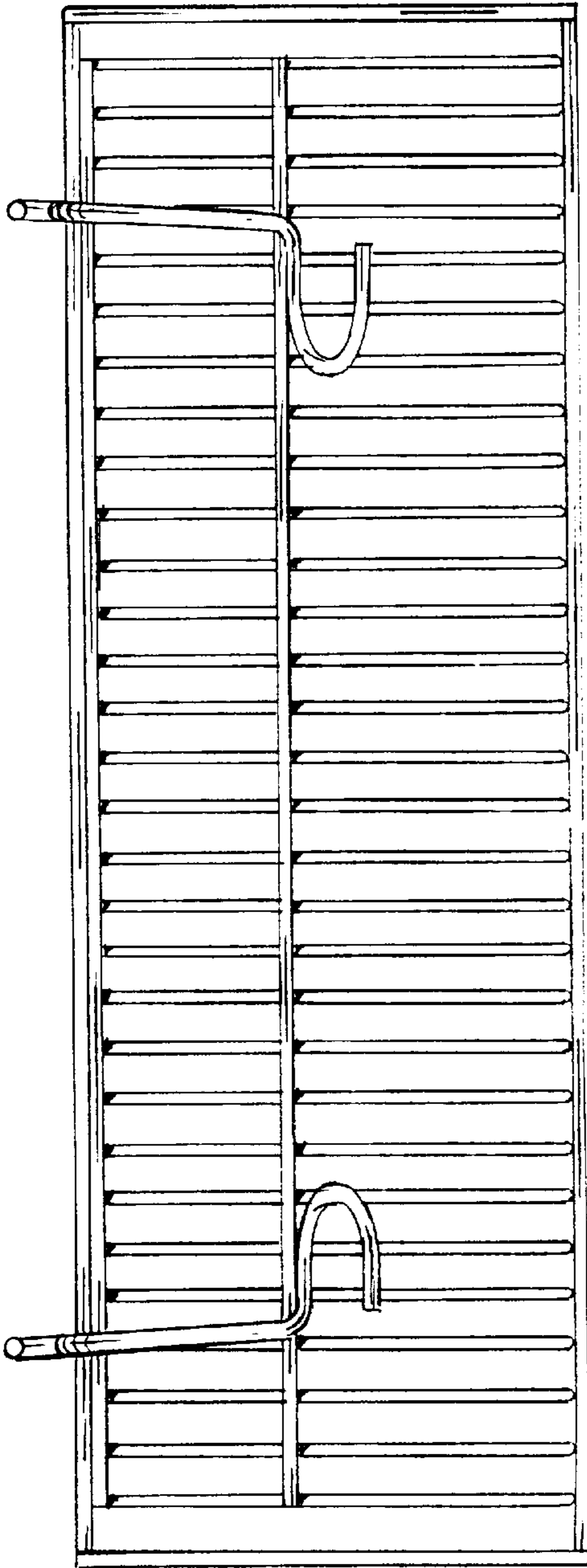


FIG. 6