



US00D415913S

United States Patent [19]

Ernst

[11] Patent Number: **Des. 415,913**

[45] Date of Patent: **** Nov. 2, 1999**

[54] **SCREWDRIVER RACK**

[76] Inventor: **Gregory R. Ernst**, 15735 SE. Bartell Rd., Boring, Oreg. 97009

[**] Term: **14 Years**

[21] Appl. No.: **29/090,963**

[22] Filed: **Jul. 21, 1998**

[51] **LOC (6) Cl.** **08-08**

[52] **U.S. Cl.** **D6/512; D6/571; D6/553**

[58] **Field of Search** D6/570, 571, 553, D6/554, 567, 569, 572, 574, 512; 206/376; 211/70.6, 60.1; 248/309.1

[56] **References Cited**

U.S. PATENT DOCUMENTS

D. 312,017	11/1990	Gould	D6/553
D. 392,489	3/1998	Ernst	D6/571
676,573	6/1901	Bowers	.	
3,822,019	7/1974	Batz	211/60.1
4,586,615	5/1986	Quitmann	211/70
5,320,223	6/1994	Allen	206/372
5,346,063	9/1994	Chow	206/376
5,505,316	4/1996	Lee	211/70.6

FOREIGN PATENT DOCUMENTS

WO 81/00352 2/1981 WIPO A47F 5/08

Primary Examiner—Kay H. Chin
Attorney, Agent, or Firm—James D. Givnan, Jr.

[57] **CLAIM**

The ornamental design for a screwdriver rack, as shown and described.

DESCRIPTION

FIG. 1 is a perspective view of a screwdriver rack showing my new design, the broken line illustration of screwdriver is for illustrative purposes only and forms no part of the claimed design.

FIG. 2 is a plan view thereof;

FIG. 3 is a side elevational view from the left hand side of FIG. 1;

FIG. 4 is a side elevational view from the right hand side of FIG. 1;

FIG. 5 is a front elevational view thereof; and,

FIG. 6 is a rear elevational view thereof.

The bottom of the screwdriver rack is plain and unornamented.

1 Claim, 1 Drawing Sheet

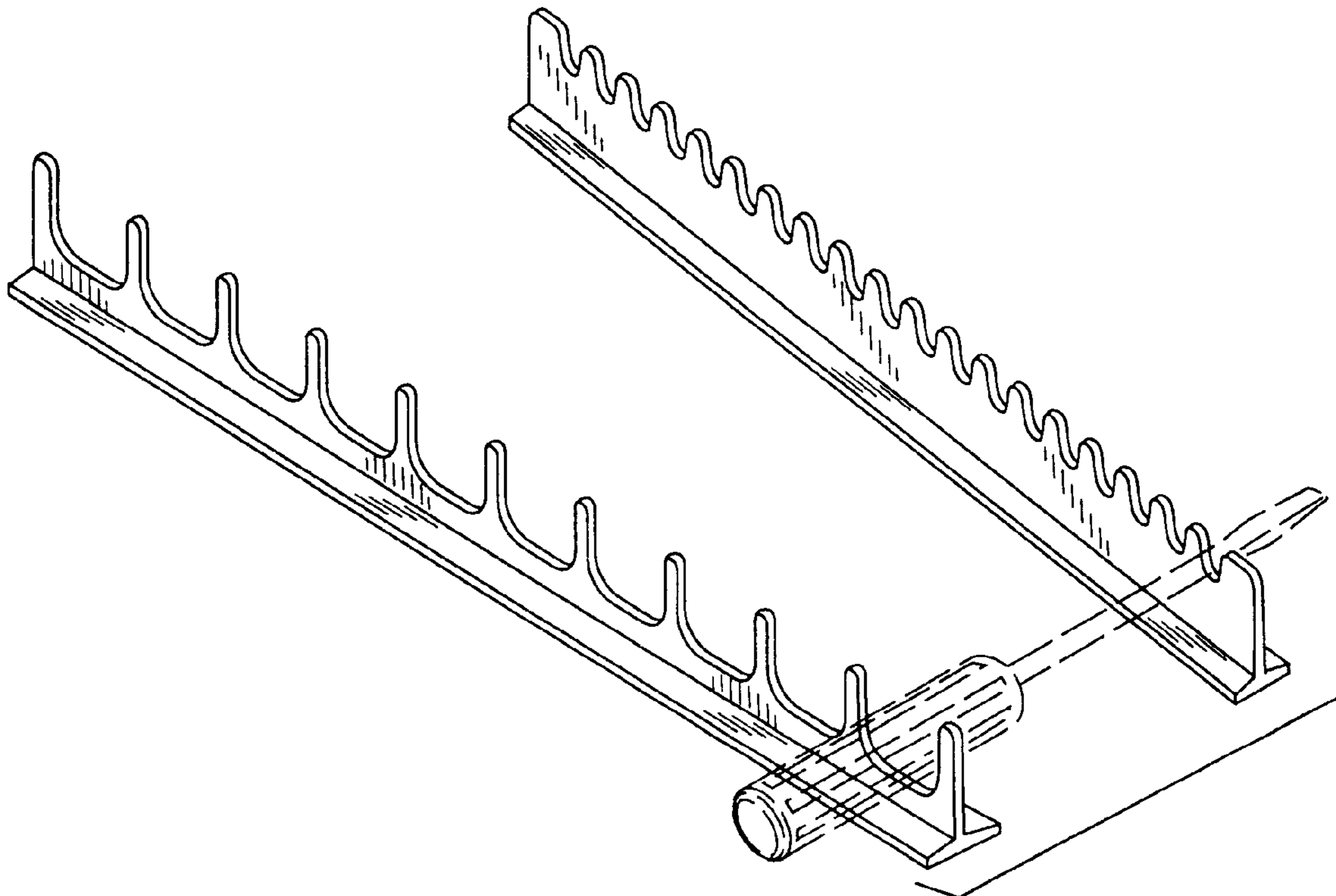


FIG. 1

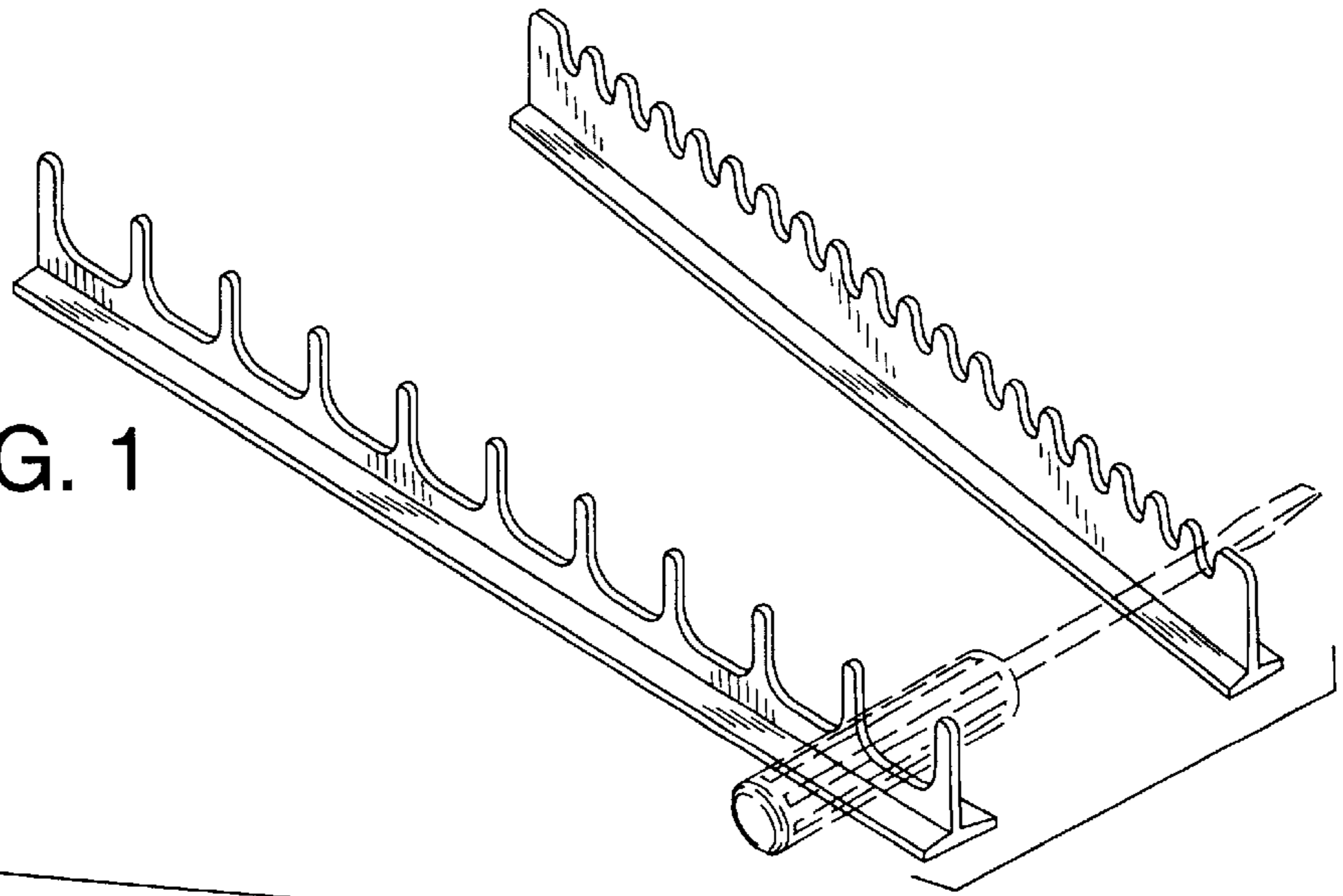


FIG. 2

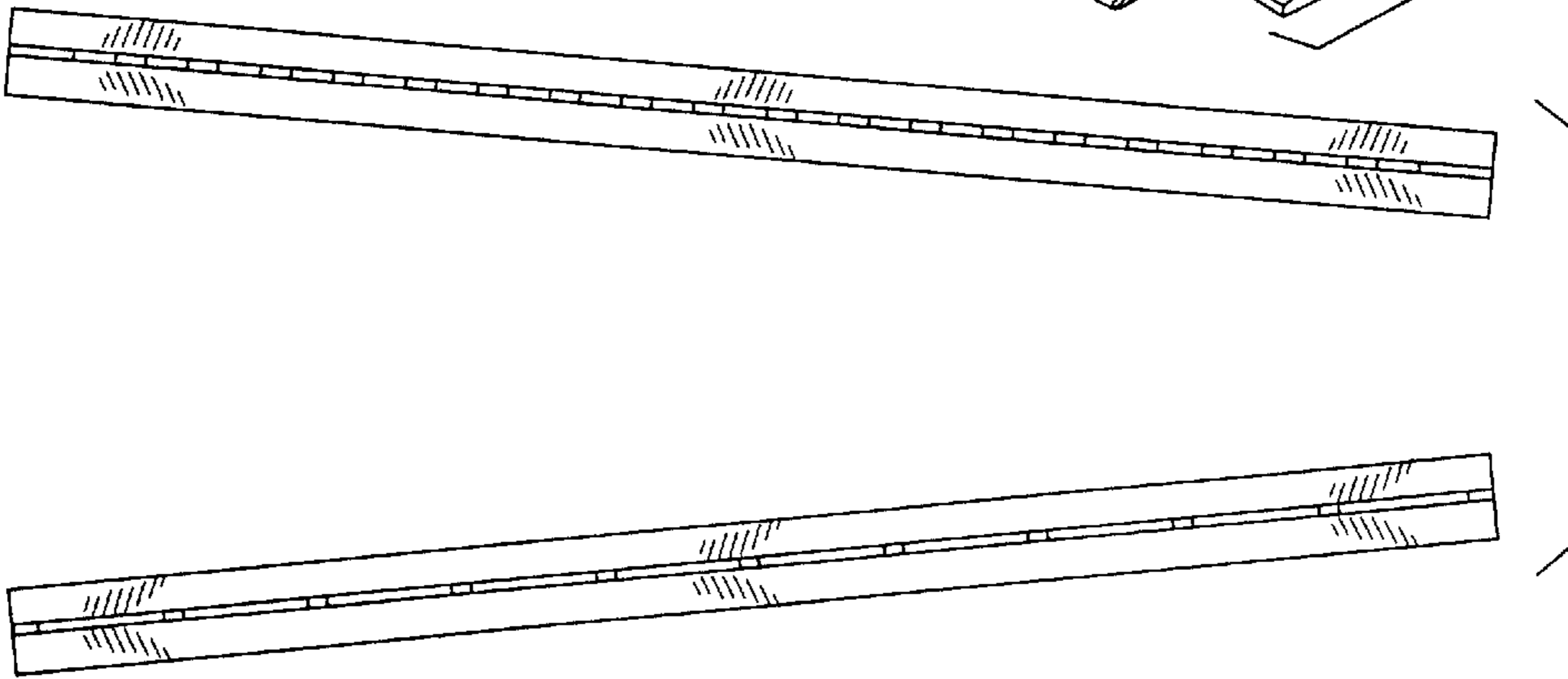


FIG. 3

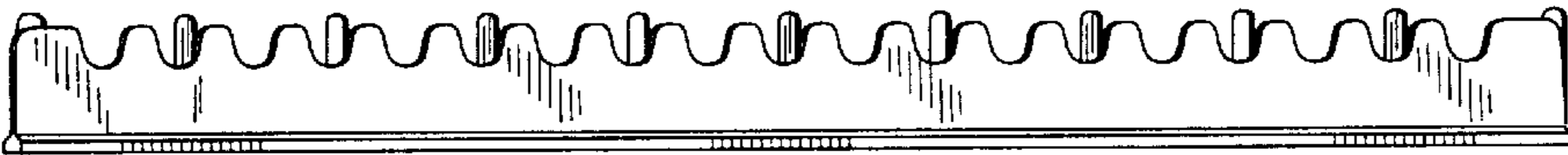


FIG. 4



FIG. 5

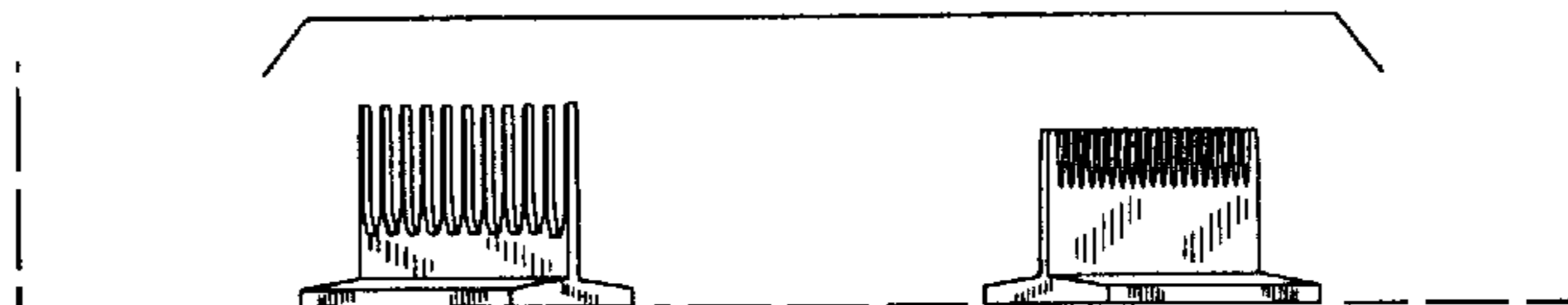


FIG. 6

