



US00D415912S

United States Patent [19]

Baumann et al.

[11] Patent Number: **Des. 415,912**

[45] Date of Patent: **** Nov. 2, 1999**

[54] CHAIR SEAT

[75] Inventors: **Stephen J. Baumann**, Oconomowoc;
Martin E. Olson Gunderson; Mark D. Dart, both of Green Bay, all of Wis.

[73] Assignee: **Krueger International, Inc.**, Green Bay, Wis.

[**] Term: **14 Years**

[21] Appl. No.: **29/097,702**

[22] Filed: **Dec. 11, 1998**

Related U.S. Application Data

[62] Division of application No. 29/067,531, Mar. 6, 1997.

[51] LOC (6) Cl. **06-06**

[52] U.S. Cl. **D6/502; D6/366**

[58] Field of Search D6/334, 364, 365,
D6/366, 367, 500, 501, 502; 297/411.2,
452.21, DIG. 1

[56] References Cited

U.S. PATENT DOCUMENTS

- D. 166,192 3/1952 Hamilton D6/366
- D. 194,458 1/1963 Pearson D6/366
- D. 218,159 7/1970 Harlang et al. D6/366
- D. 227,953 7/1973 Prizlow D6/366
- D. 243,486 3/1977 Buhk D6/366
- D. 340,589 10/1993 Chu .
- D. 345,060 3/1994 Duncan .
- D. 349,621 8/1994 Wilson .
- D. 358,064 5/1995 Larkin .

- D. 362,973 10/1995 Schultz .
- D. 368,380 4/1996 Olson et al. .
- D. 372,595 8/1996 Schultz et al. .
- D. 393,755 4/1998 Nemeth, Jr. .
- D. 395,761 7/1998 Saul .
- D. 397,557 9/1998 Feldberg .
- D. 398,464 9/1998 Cronk .
- D. 399,664 10/1998 Goodworth et al. .
- 2,942,652 6/1960 Chapman 297/DIG. 1
- 2,961,037 11/1960 Keefer 297/DIG. 1

Primary Examiner—Gary D. Watson
Attorney, Agent, or Firm—Andrus, Scales, Starke & Sawall

[57] CLAIM

The ornamental design for a chair seat, as shown and described.

DESCRIPTION

FIG. 1 is a perspective view of a chair seat showing our new design;
 FIG. 2 is a top plan view thereof;
 FIG. 3 is a front elevational view thereof;
 FIG. 4 is a rear elevational view thereof;
 FIG. 5 is a bottom plan view thereof; and,
 FIG. 6 is a left side perspective view, the right side being a mirror image thereof.
 FIGS. 2 and 6 have been shown on an enlarged scale with respect to FIG. 1.
 The broken lines shown at the bottom edge of the chair seat represent the boundary and form no part of the claimed design. All other broken lines are for illustrative purposes only and form no part of the claimed design.

1 Claim, 3 Drawing Sheets

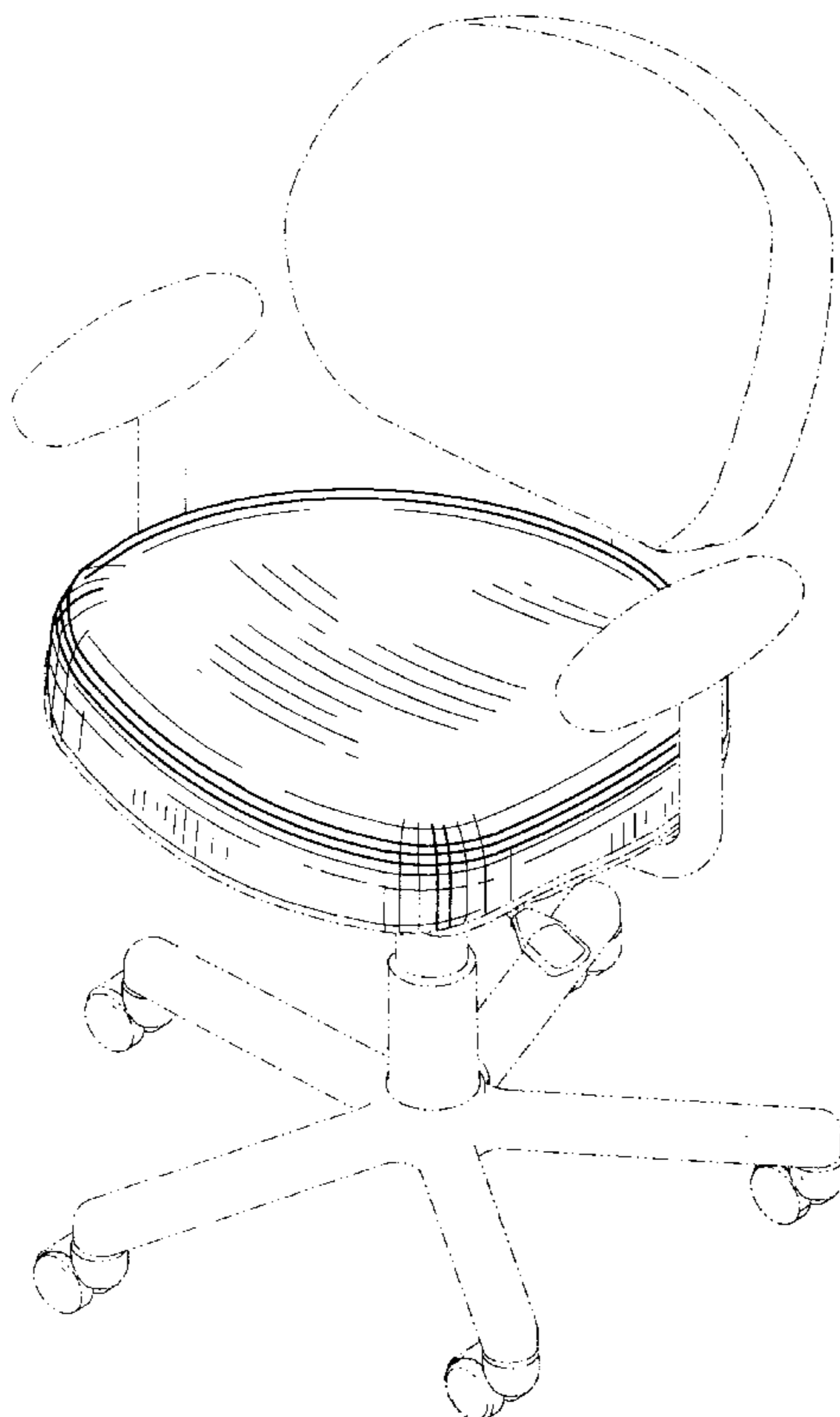


FIG. 1

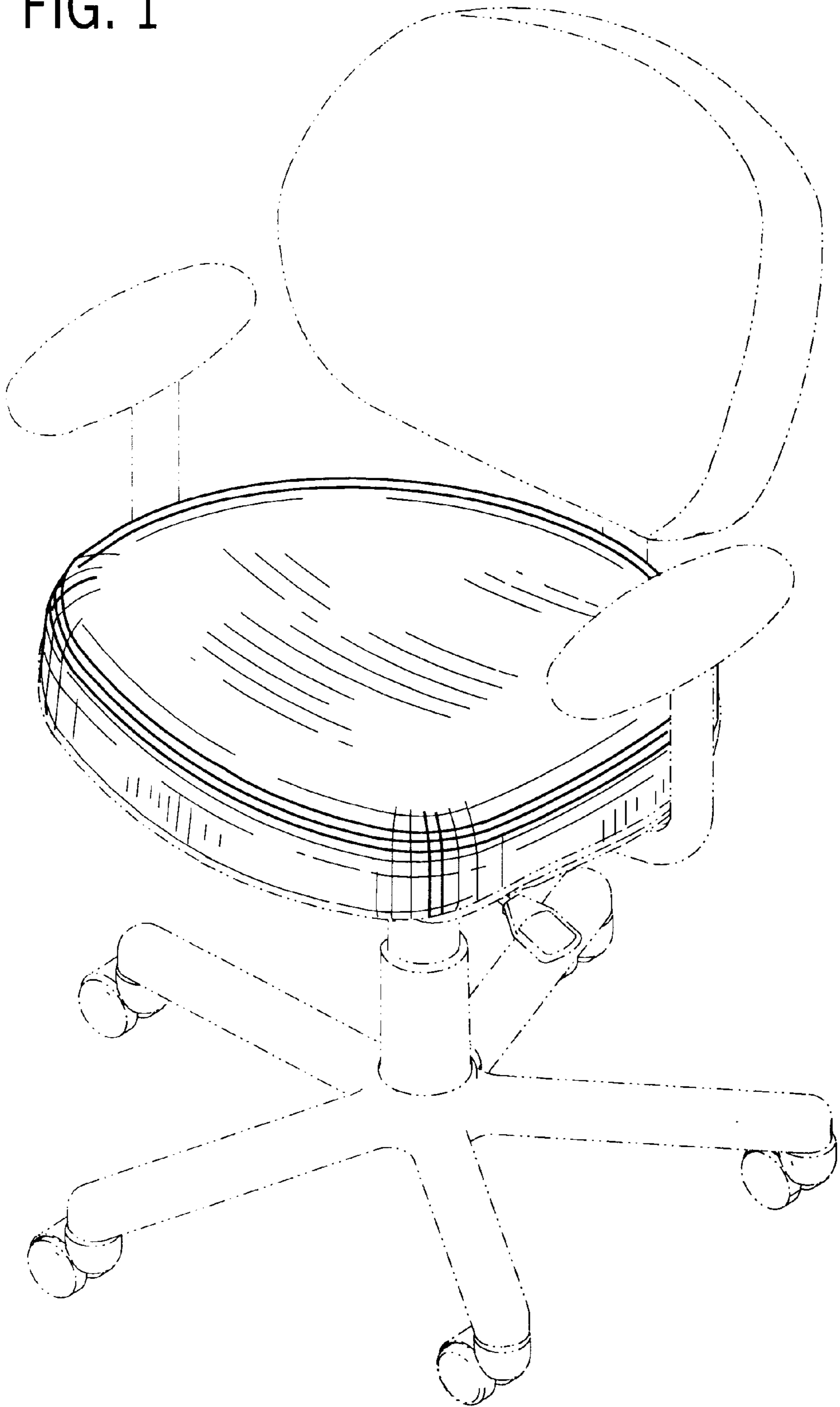


FIG. 2

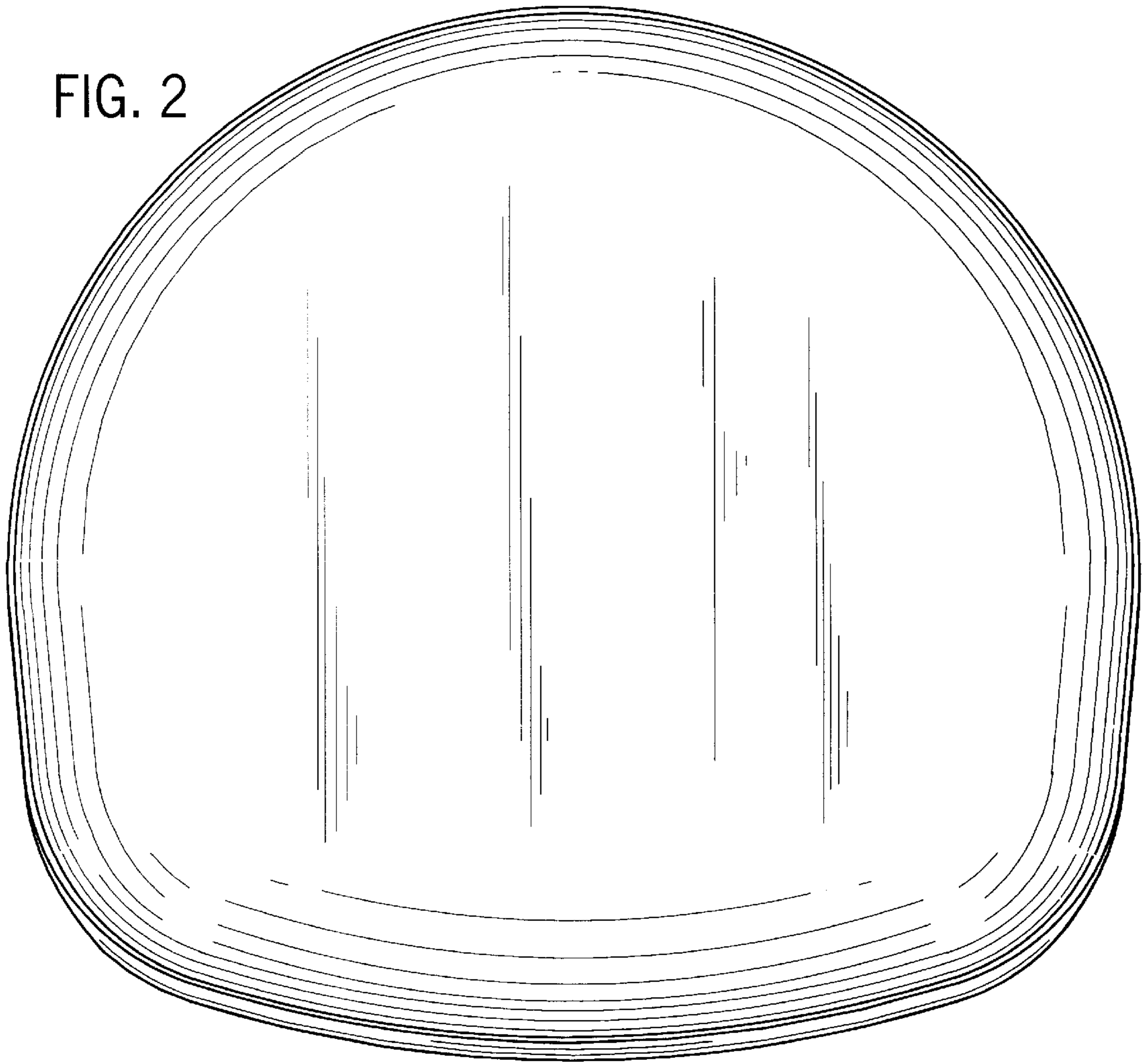


FIG. 3

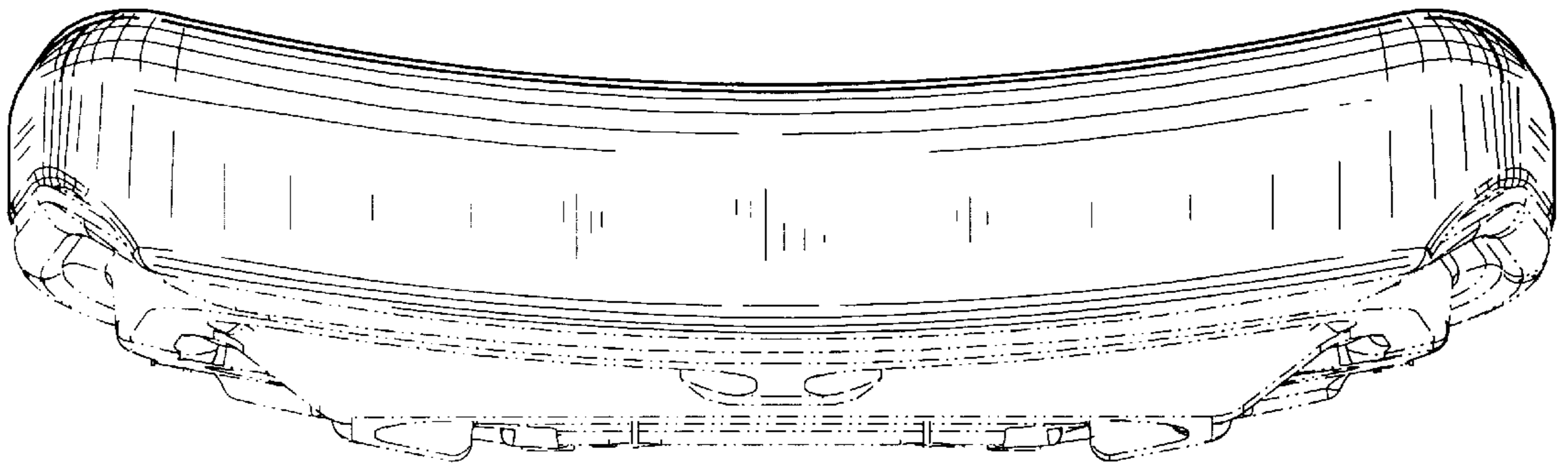


FIG. 4

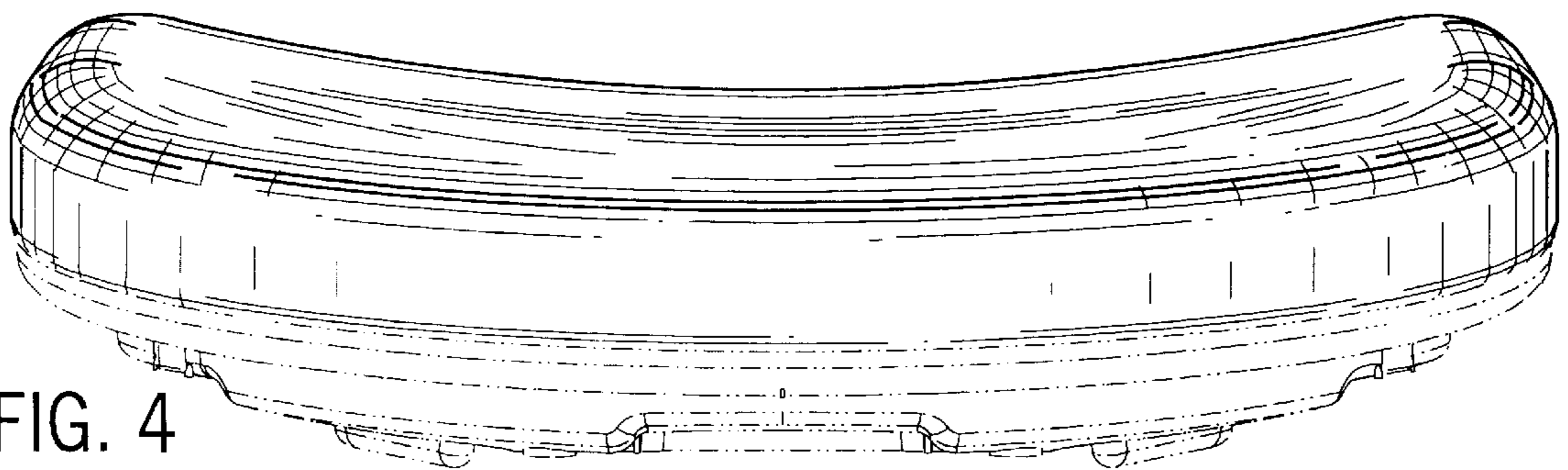


FIG. 5

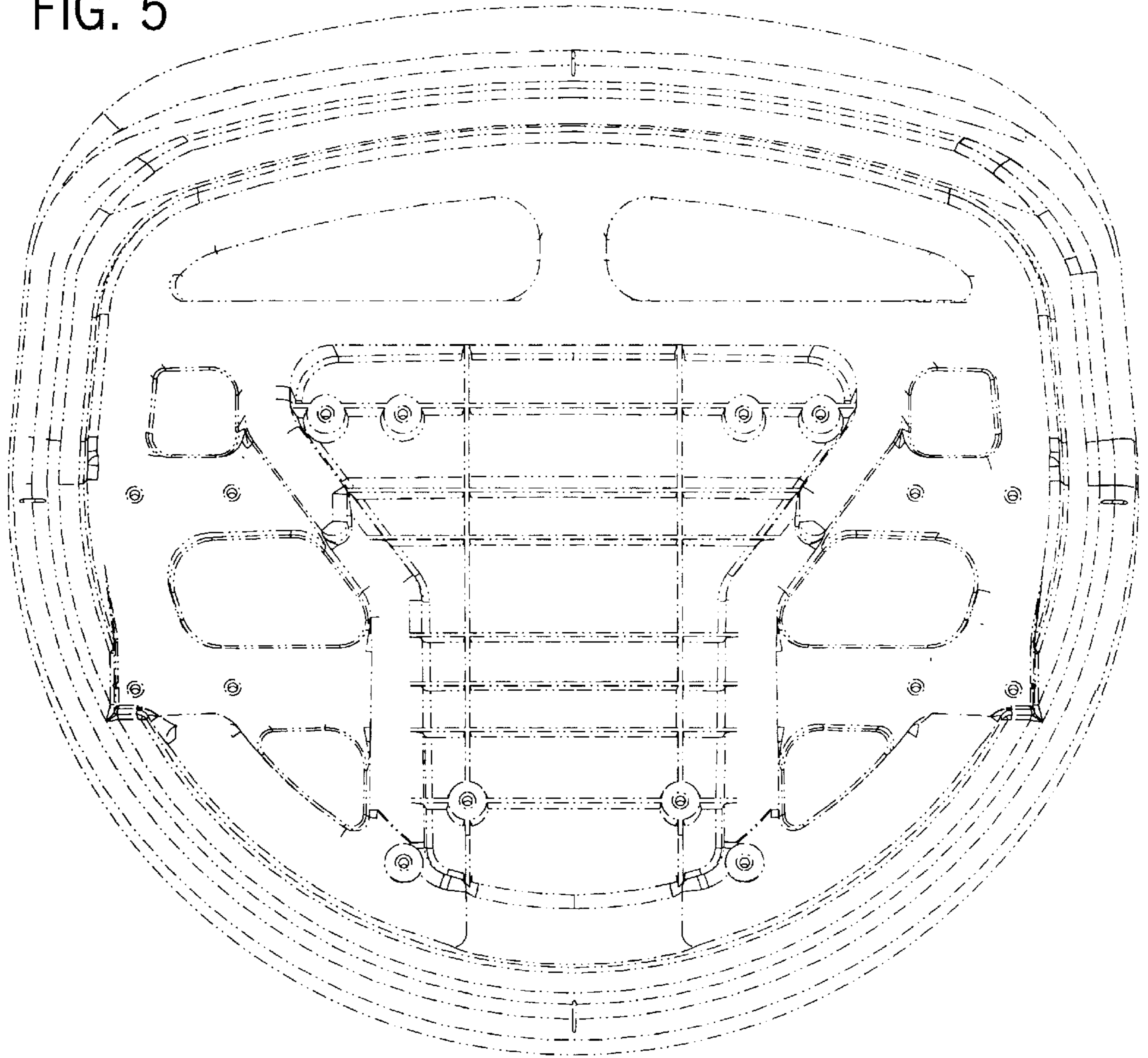


FIG. 6

