



US00D415909S

United States Patent [19] Valderen

[11] **Patent Number: Des. 415,909**

[45] **Date of Patent: ** Nov. 2, 1999**

[54] **TABLE**

[75] Inventor: **Harrie Van Valderen**, Helvoirt, Netherlands

[73] Assignee: **Van Valderen Eurotrade B.V.**, Helvoirt, Netherlands

[**] Term: **14 Years**

[21] Appl. No.: **29/098,454**

[22] Filed: **Dec. 30, 1998**

[51] **LOC (6) Cl.** **06-03**

[52] **U.S. Cl.** **D6/480**

[58] **Field of Search** D6/480-489, 495-499, D6/511, 477, 436; 108/50.12, 153.1, 155, 156, 157.1, 161; 248/188, 188.1, 188.8

[56] **References Cited**

U.S. PATENT DOCUMENTS

D. 133,624	9/1942	Hollander	D6/480
D. 273,448	4/1984	Colquhoun	D6/485
D. 286,592	11/1986	Deconinck	D6/430
D. 290,319	6/1987	Deconinck	D6/488

OTHER PUBLICATIONS

County Casual, c1996, p. 5 Taunton tables.
Smith and Hawkin, p. 32, rectangular and round tables.
Weatherend Estate Furniture, c1989, Islesboro tables at bottom.
Weatherend Estate Furniture, c1989, Islesboro table at top.

Primary Examiner—Janice E. Seeger
Attorney, Agent, or Firm—Ladas & Parry

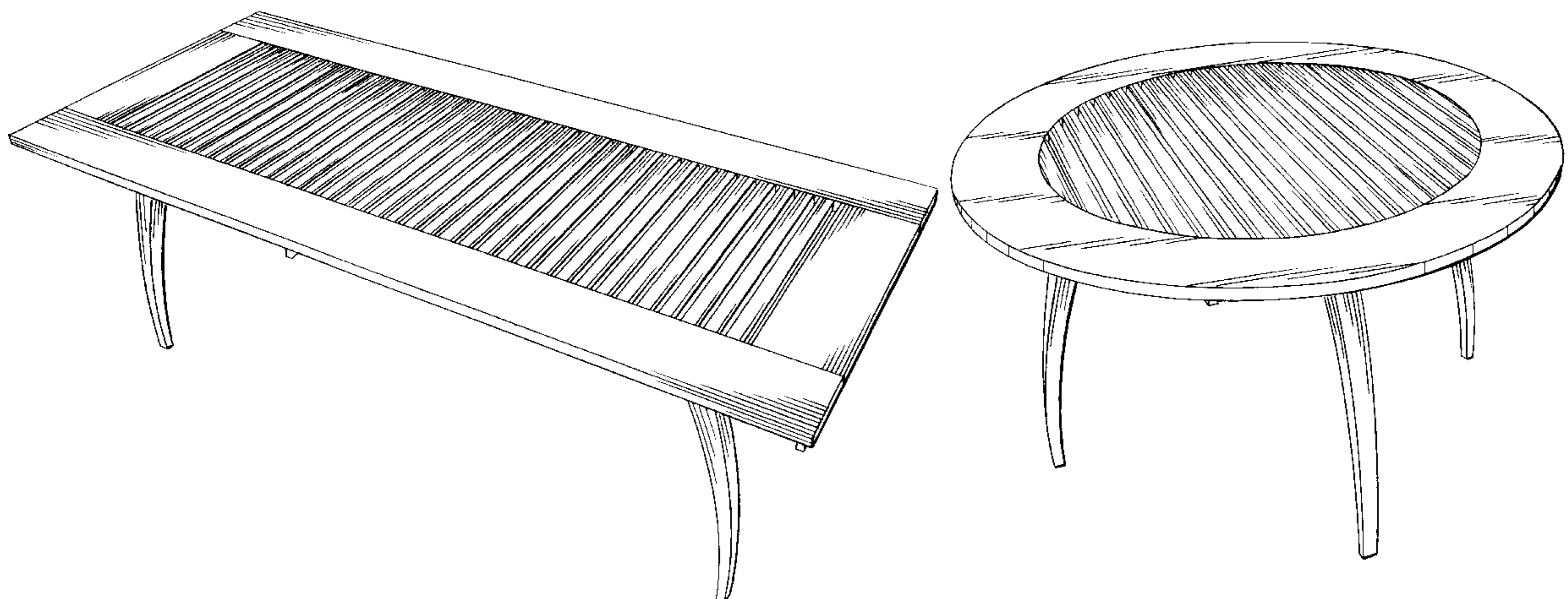
[57] **CLAIM**

The ornamental design for a table, as shown and described.

DESCRIPTION

FIG. 1 is a top, front and side perspective view of a first embodiment showing my new design;
FIG. 2 is a front, top and side perspective view of the first embodiment showing my new design;
FIG. 3 is a bottom, front and side perspective view of the first embodiment showing my new design;
FIG. 4 is a top view of the first embodiment showing my new design;
FIG. 5 is a left side elevational view of the first embodiment showing my new design (identical with a right side elevational view);
FIG. 6 is a front view of the first embodiment showing my new design (identical with a rear elevational view);
FIG. 7 is a bottom view of the first embodiment showing my new design;
FIG. 8 is a top, front and side perspective view of a second embodiment showing my new design;
FIG. 9 is a front, side and top perspective view of the second embodiment showing my new design;
FIG. 10 is a bottom, front and side perspective view of the second embodiment showing my new design;
FIG. 11 is a top view of the second embodiment showing my new design;
FIG. 12 is a front view of the second embodiment showing my new design (identical with left and right side elevational views and with a rear elevational view); and,
FIG. 13 is a bottom view of the second embodiment showing my new design.

1 Claim, 8 Drawing Sheets



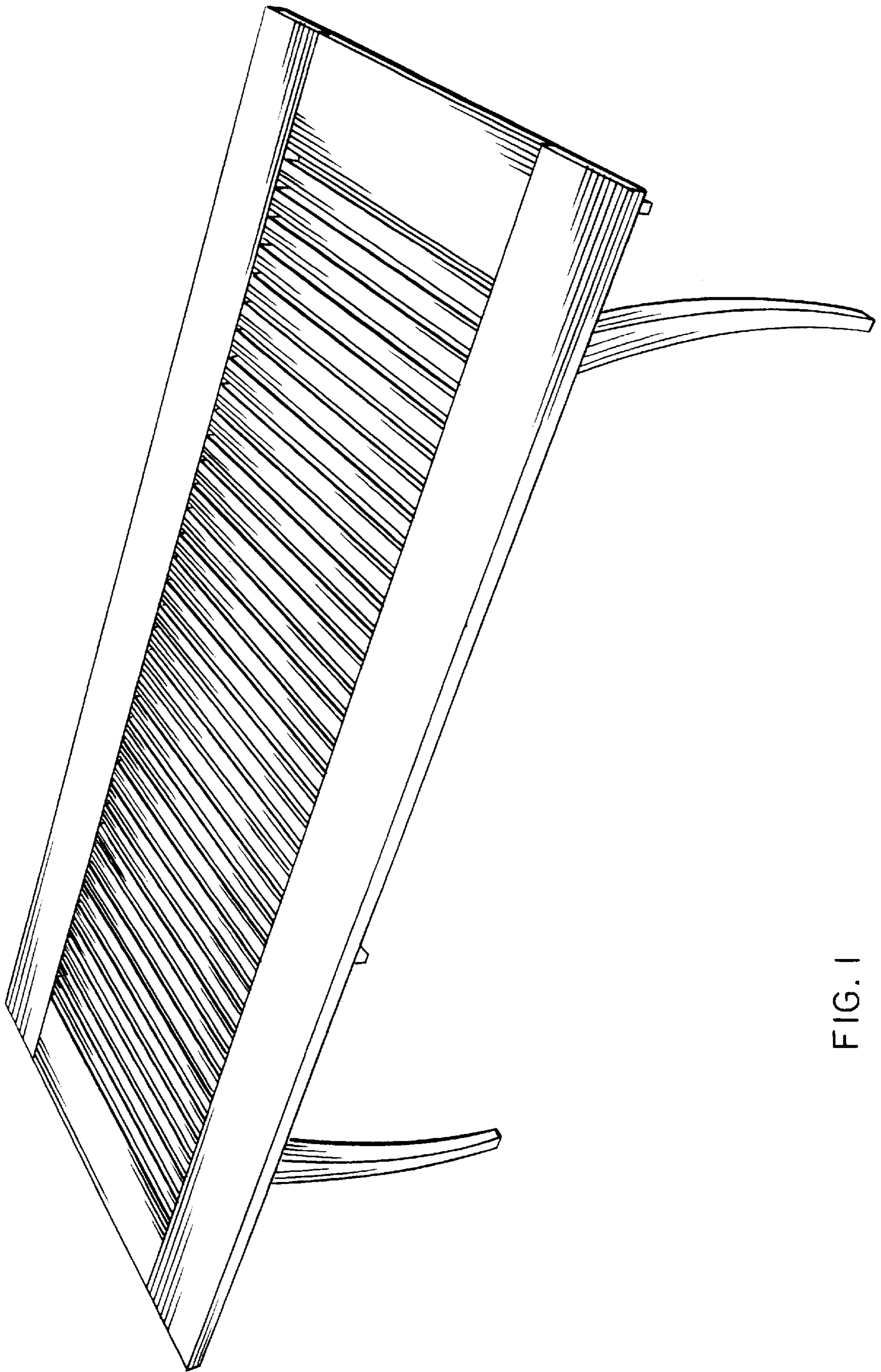


FIG. 1

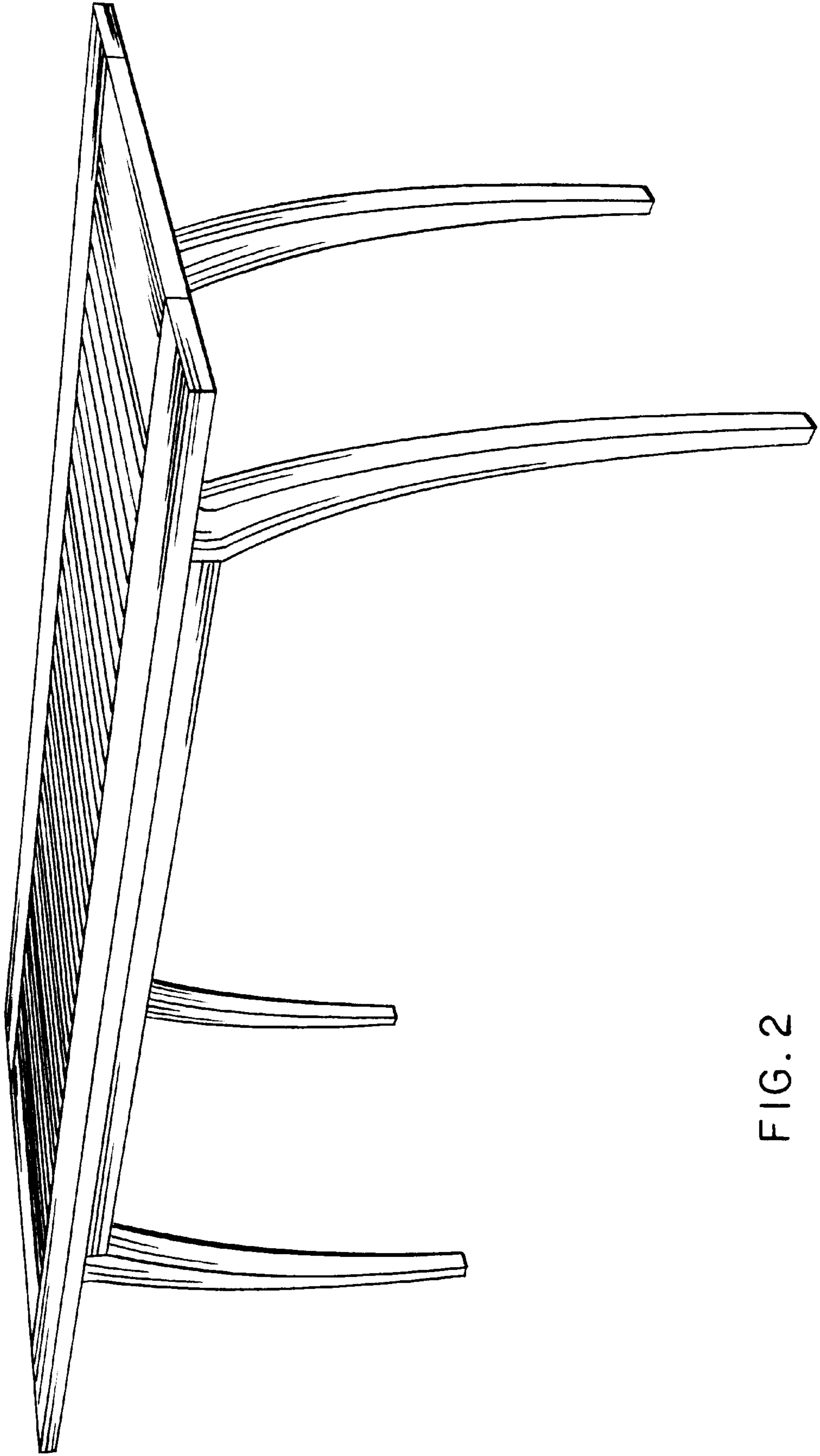


FIG. 2

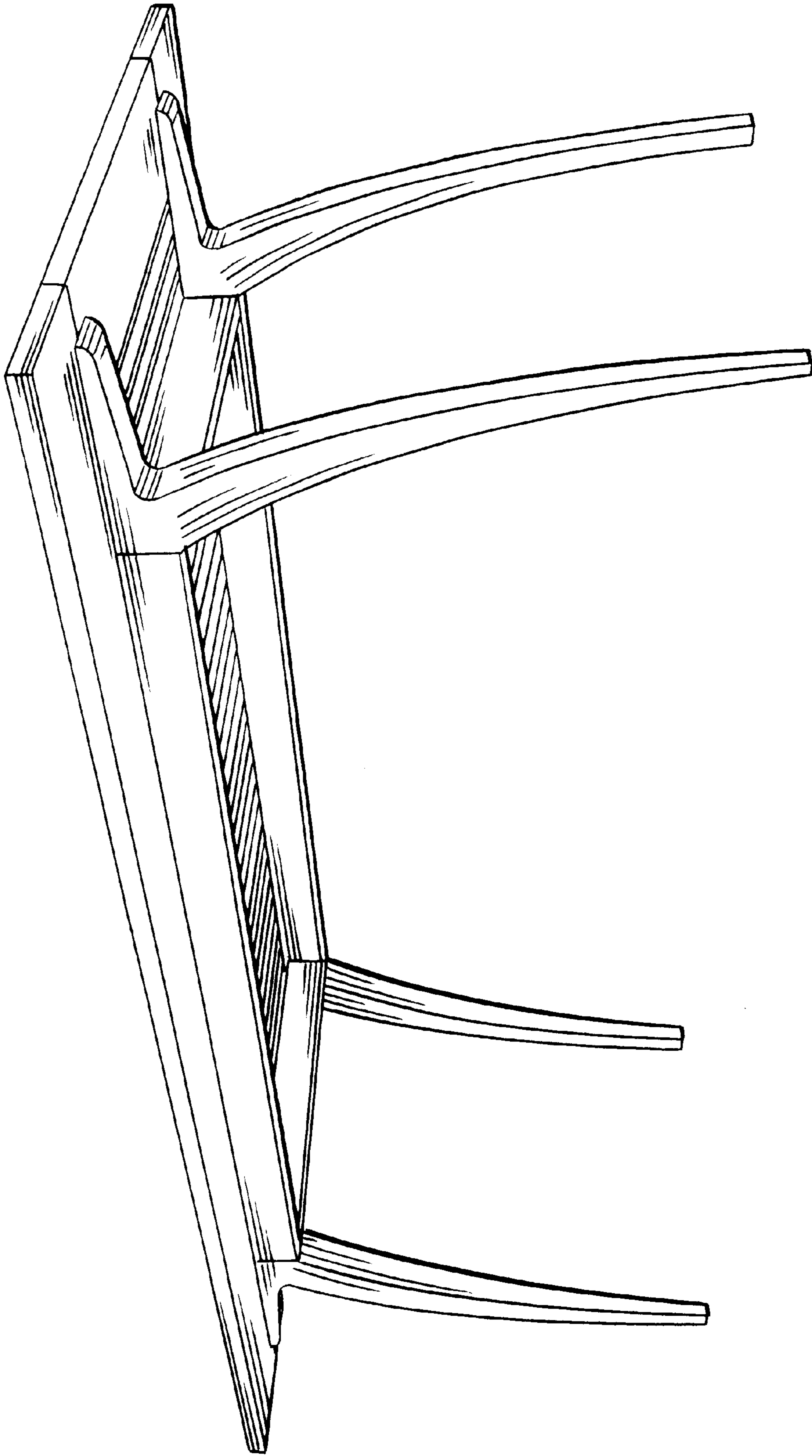


FIG. 3

FIG. 4

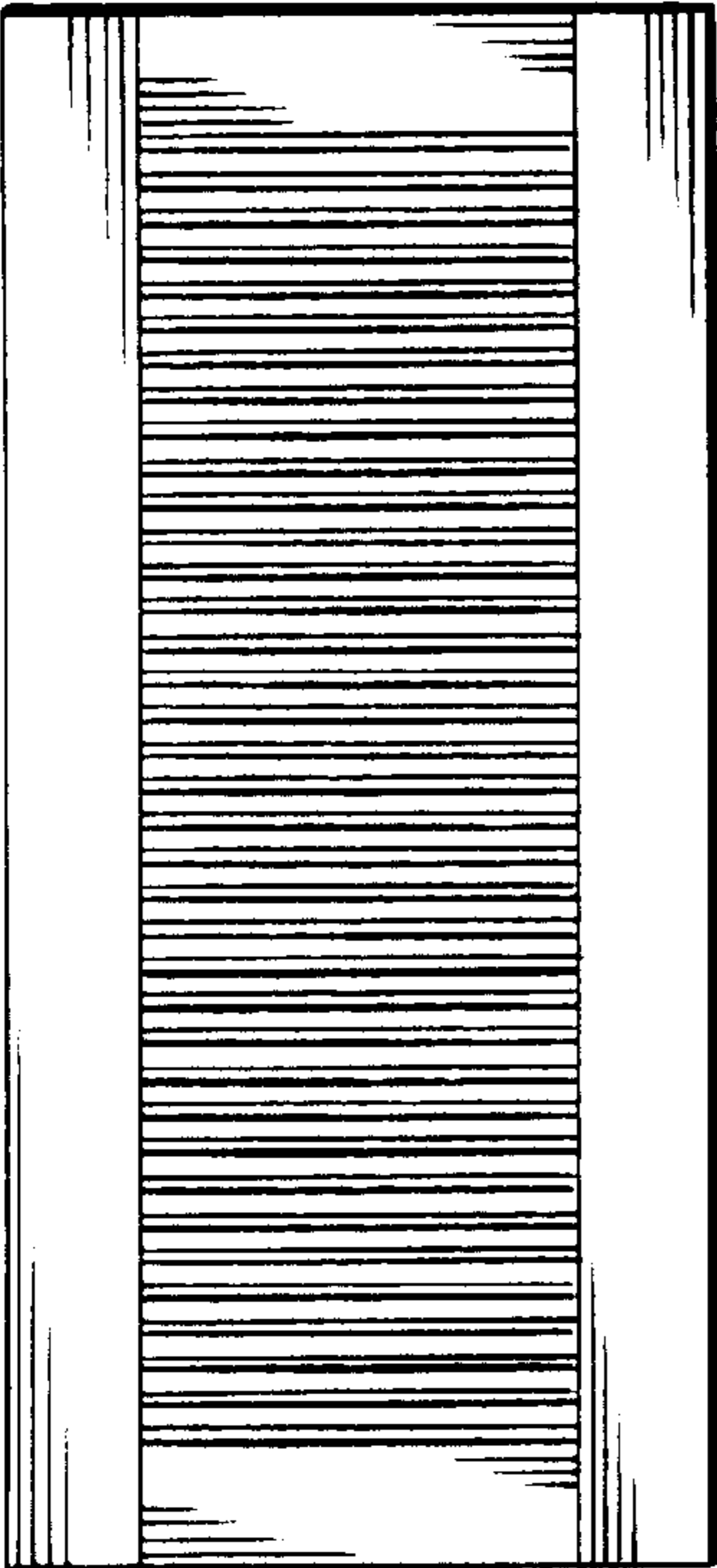


FIG. 6



FIG. 7

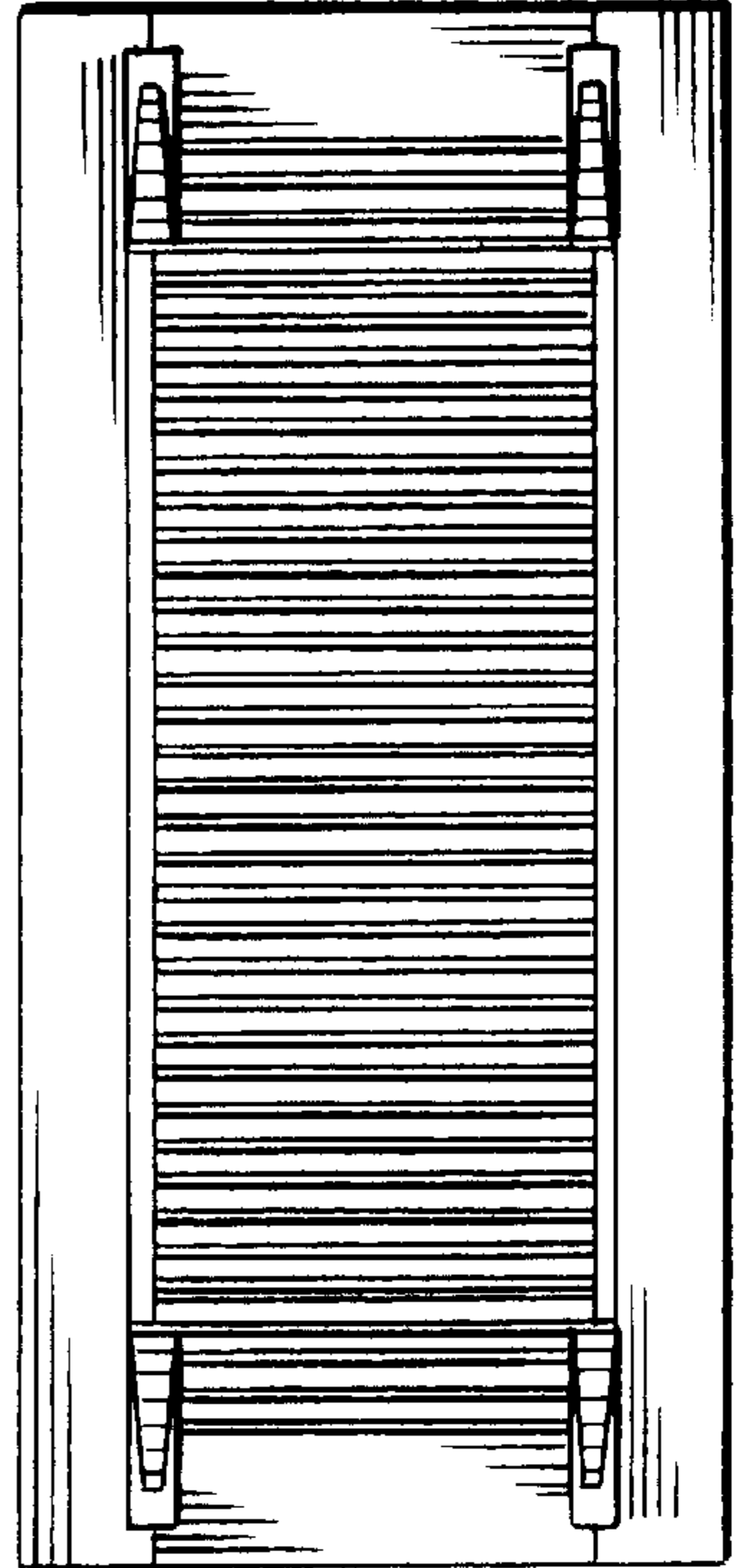
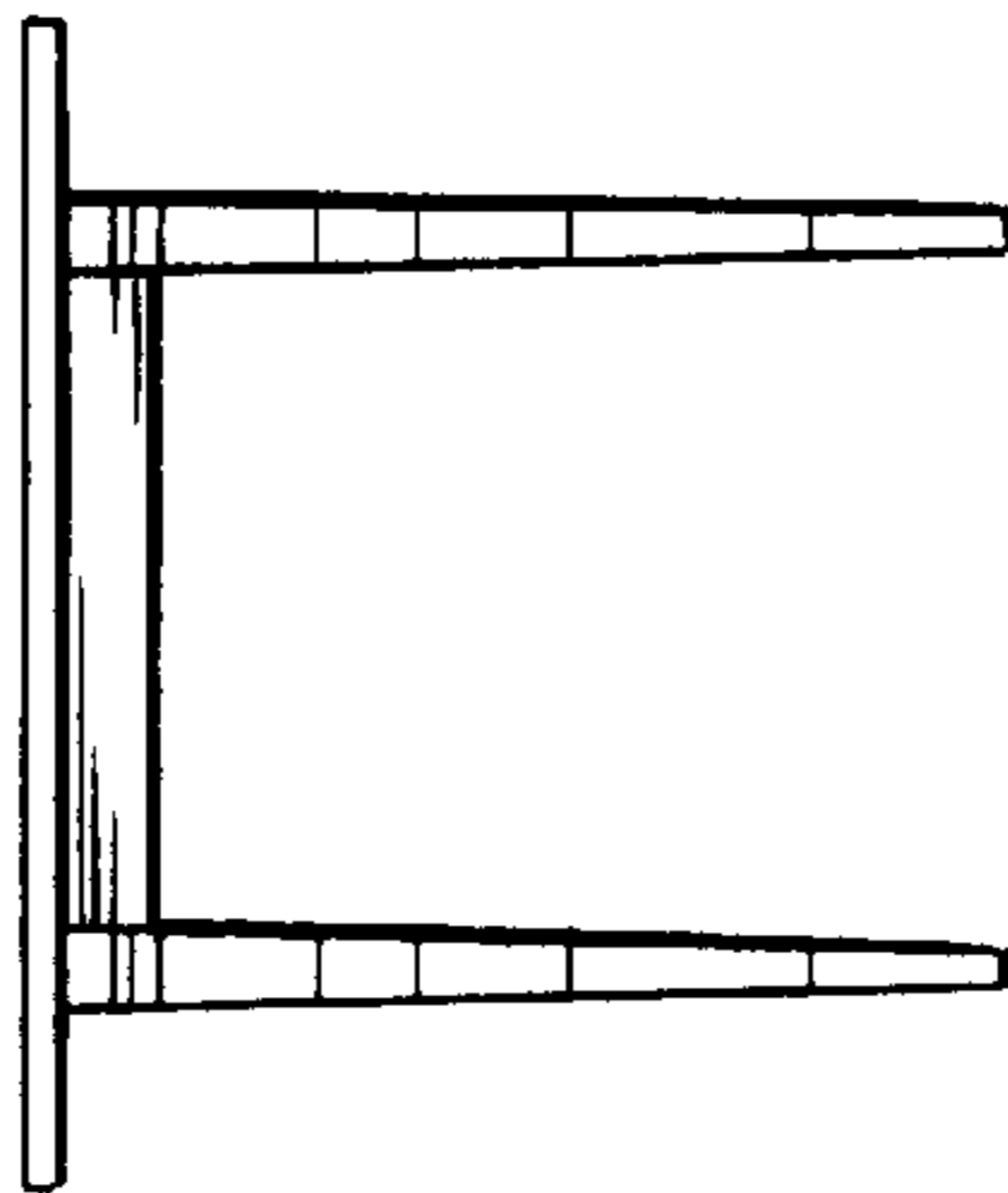


FIG. 5



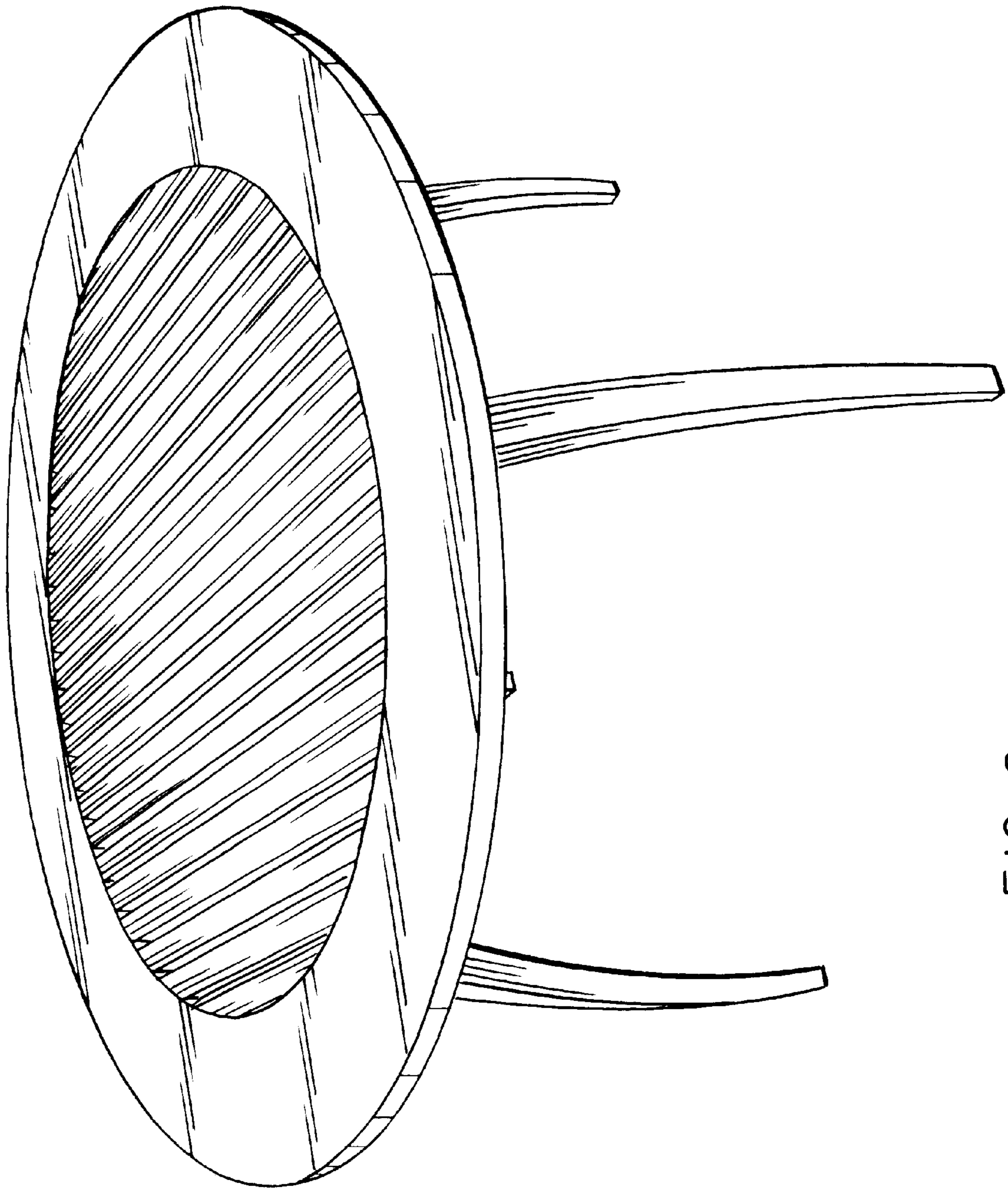


FIG. 8

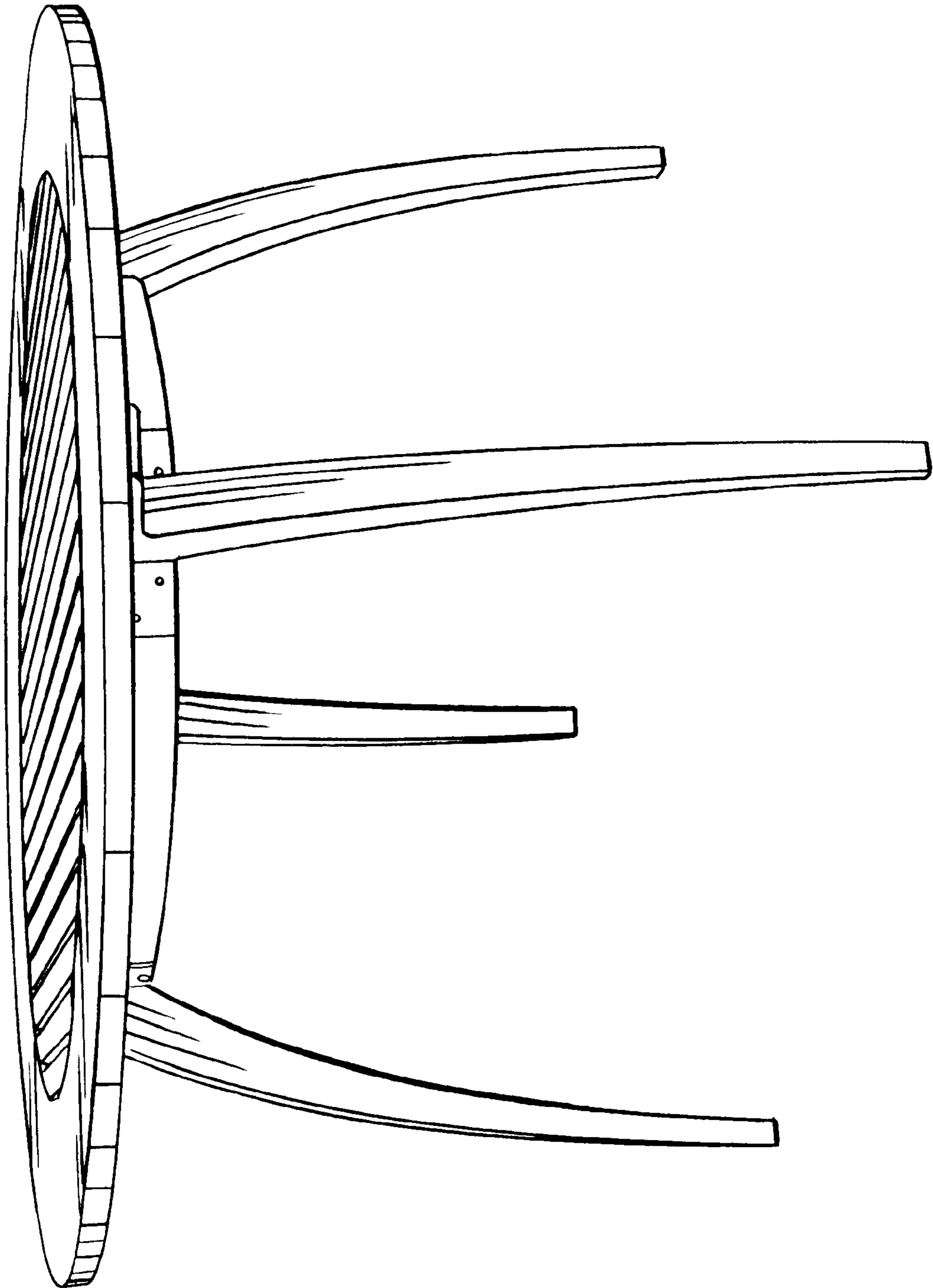


FIG. 9

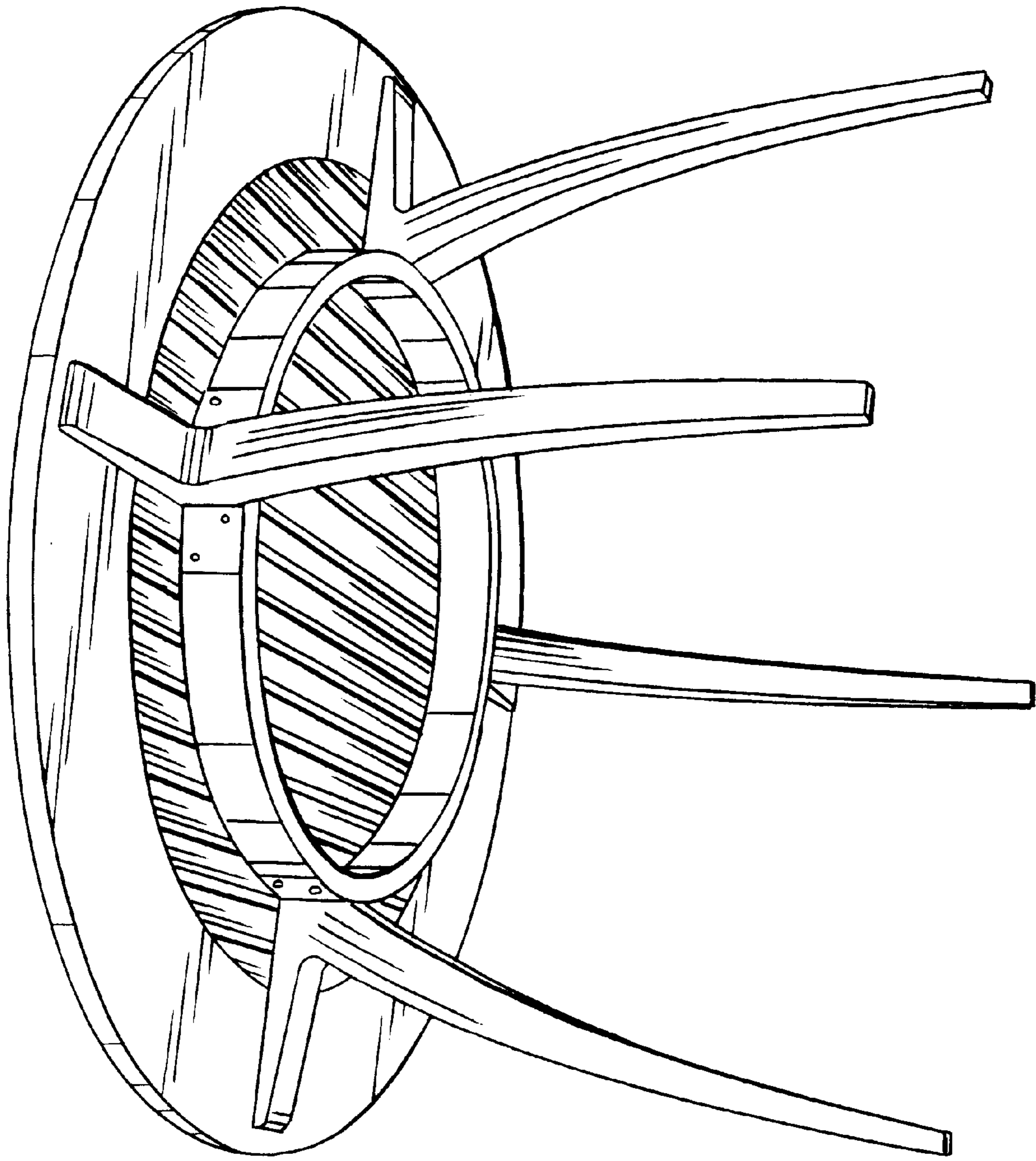


FIG. 10

FIG. 11

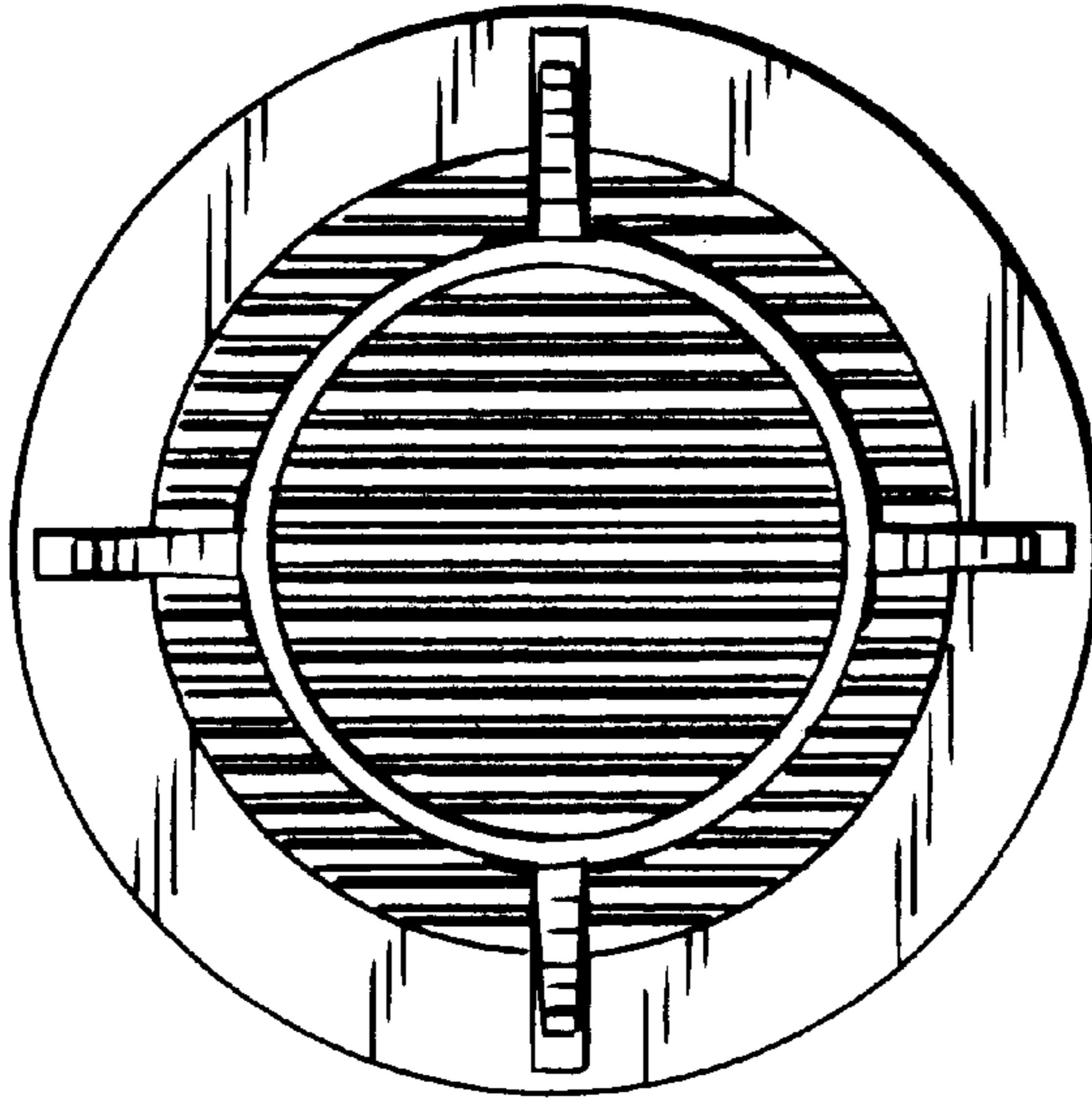
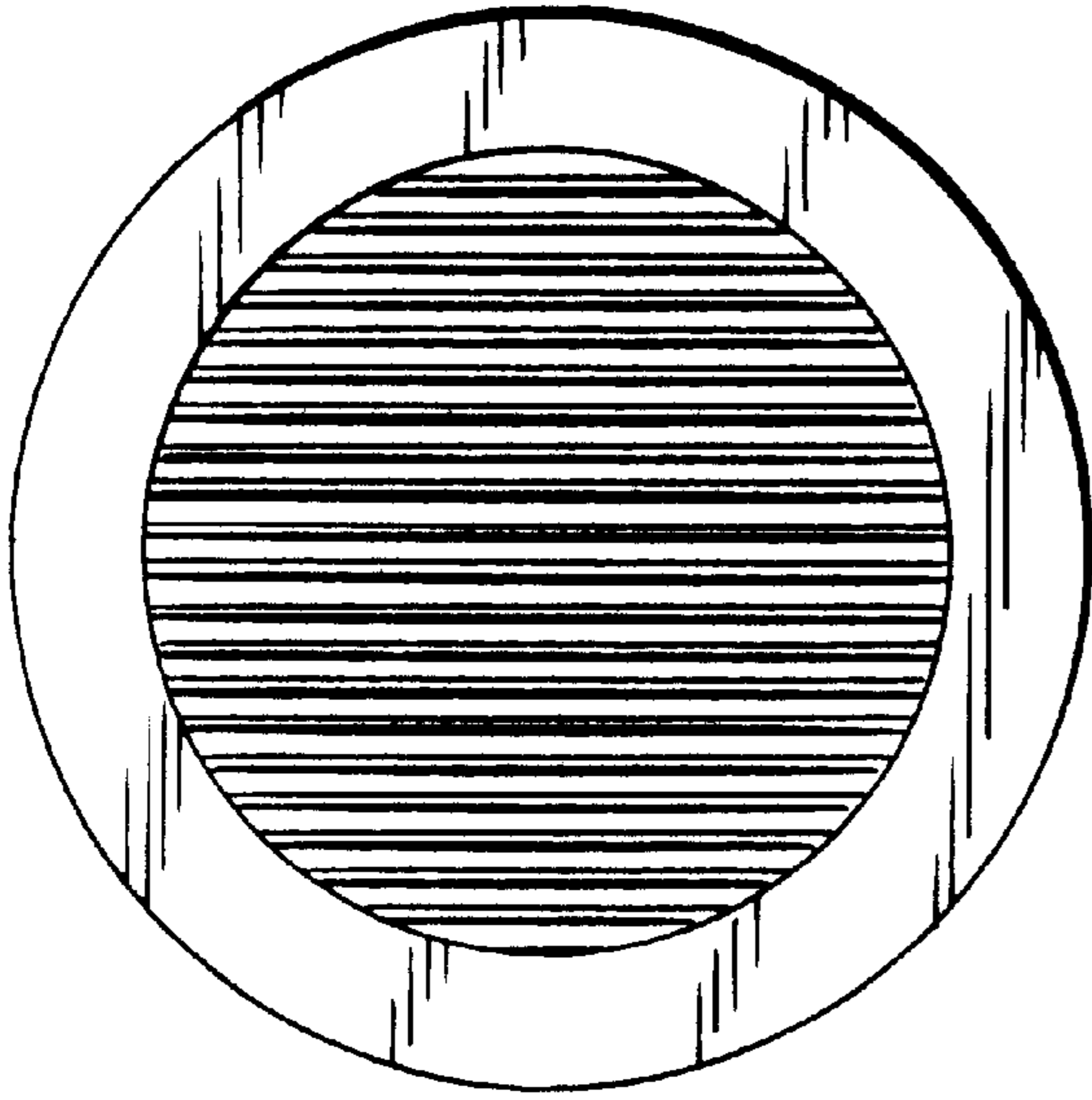


FIG. 13

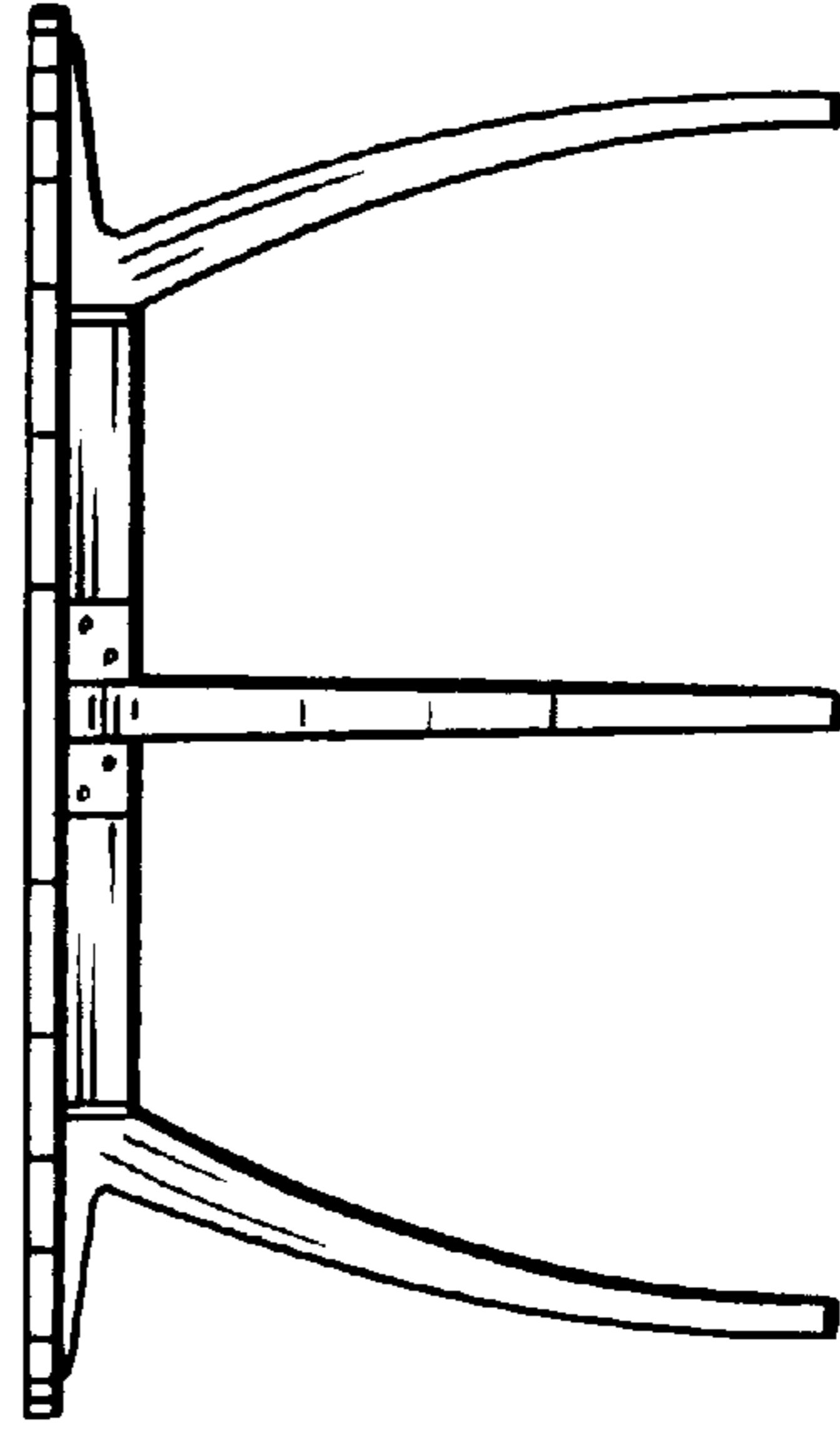


FIG. 12