



US00D415908S

# United States Patent [19] Miranda

[11] Patent Number: Des. 415,908

[45] Date of Patent: \*\* Nov. 2, 1999

[54] DISPLAY STAND

D. 402,140 12/1998 Bustos ..... D6/473

[75] Inventor: Walter Miranda, Lake Zurich, Ill.

[73] Assignee: Cormark, Inc., Rosemont, Ill.

[\*\*] Term: 14 Years

[21] Appl. No.: 29/103,284

[22] Filed: Apr. 12, 1999

[51] LOC (6) Cl. .... 06-04

[52] U.S. Cl. .... D6/473

[58] Field of Search ..... D6/467, 468, 473-476;  
D20/19; 211/1, 13, 4, 5, 22, 24, 133.1,  
85.26, 70.6, 85.8; 206/207, 229; 73/116,  
117.3; 248/645, 646, 146, 176.1, 148

### [56] References Cited

#### U.S. PATENT DOCUMENTS

- D. 252,299 7/1979 Marshall ..... D6/473
- D. 253,384 11/1979 Glassenberg ..... D6/473
- D. 280,163 8/1985 Leo, Sr. .... D6/473
- D. 389,657 1/1998 Sigal et al. .... D6/473

### OTHER PUBLICATIONS

Retail Reporting Corporation, Point of Purchase Design Annual 3, Troy Built Mini-Tiller Display, p. 109, 1995.

Primary Examiner—Doris V. Coles  
Assistant Examiner—Linda Brooks  
Attorney, Agent, or Firm—Welsh & Katz, Ltd.

### [57] CLAIM

The ornamental design for a display stand, as shown and described.

### DESCRIPTION

FIG. 1 is a front perspective view of a display stand showing my new design, with lawnmowers shown in broken lines for purposes of illustration only and forming no part of the claimed design;

FIG. 2 is a front view of FIG. 1 on a reduced scale;

FIG. 3 is a side view of FIG. 2, as viewed from the right-hand side thereof;

FIG. 4 is a rear view of FIG. 2;

FIG. 5 is a side view of FIG. 2, as viewed from the left-hand side thereof;

FIG. 6 is a top view of FIG. 2; and,

FIG. 7 is a bottom view of FIG. 2.

1 Claim, 4 Drawing Sheets

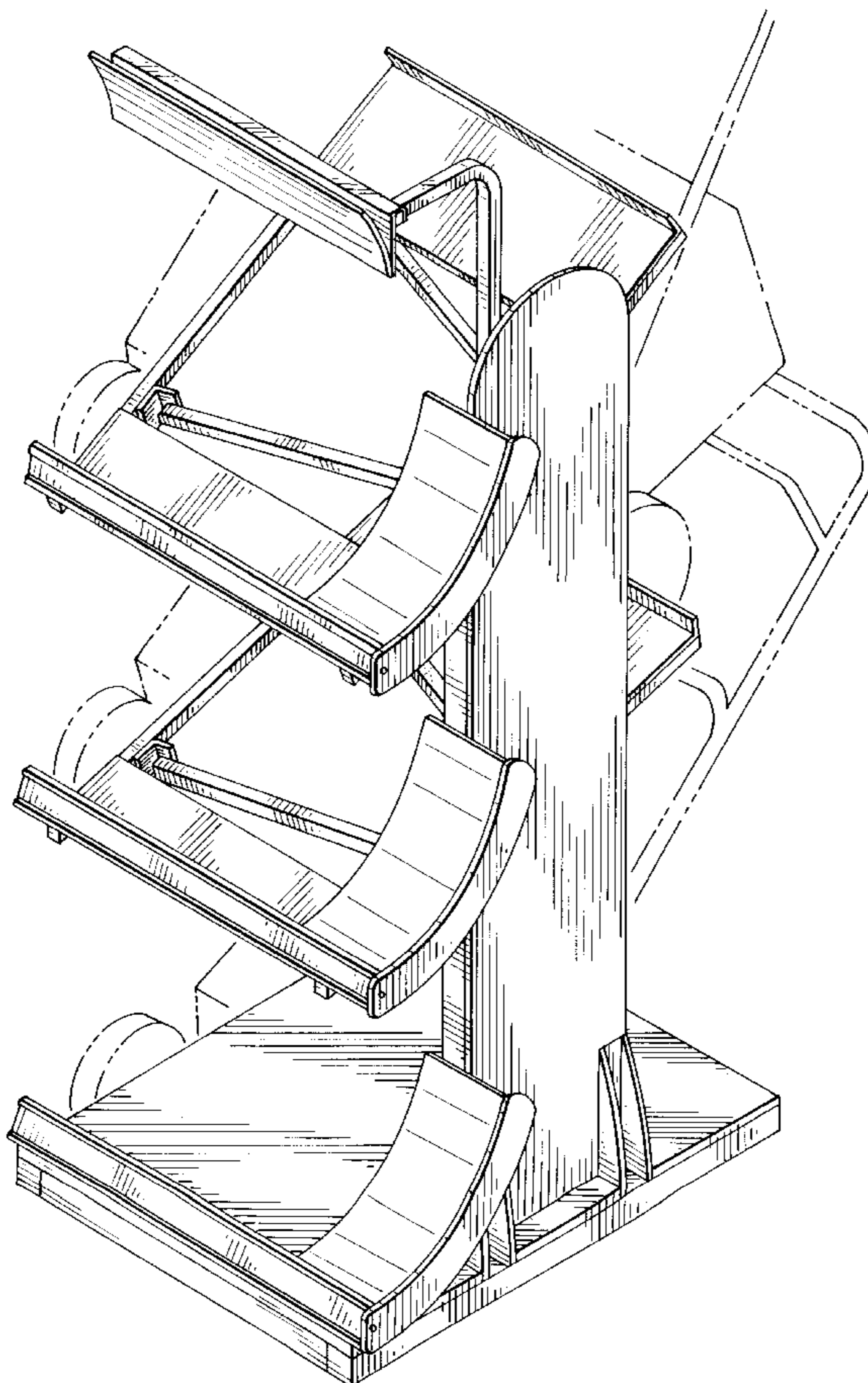


FIG. 1

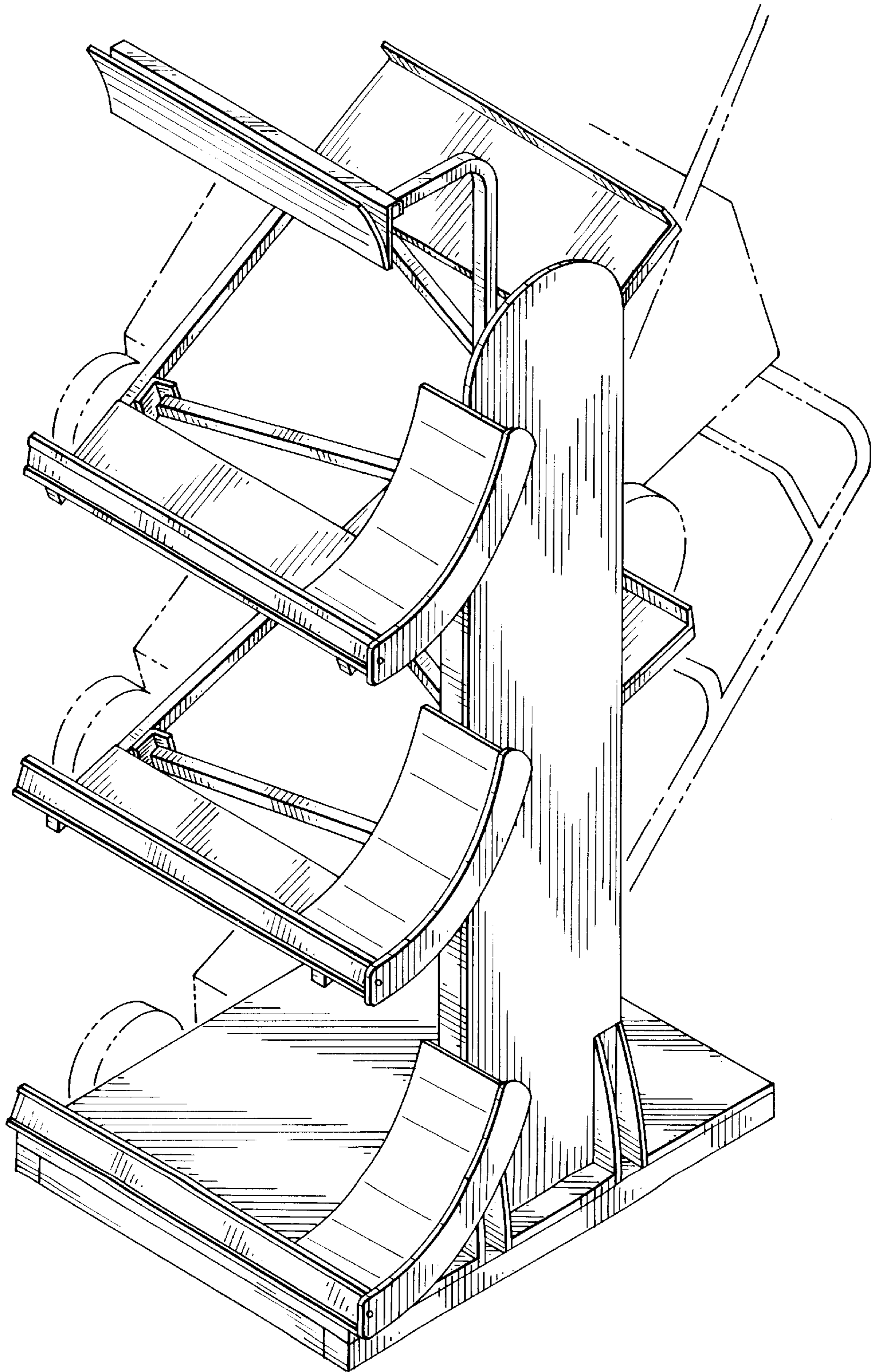


FIG. 2

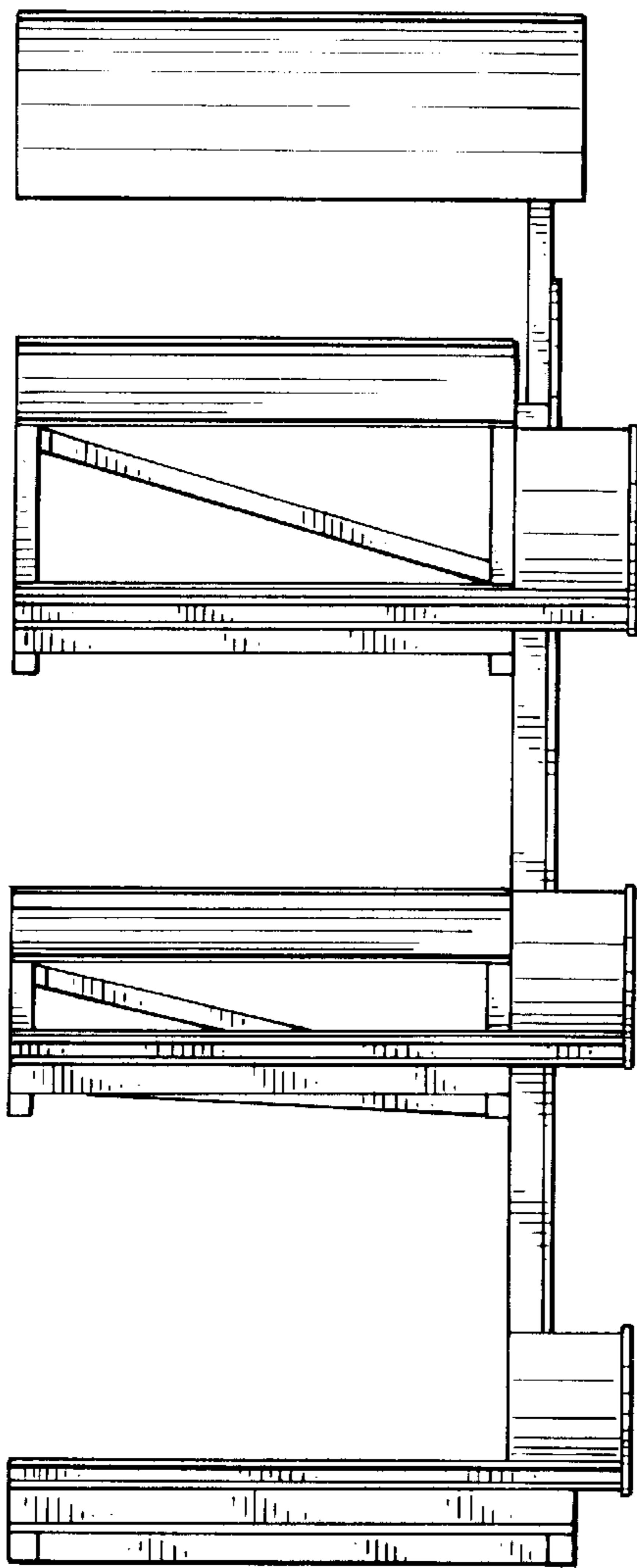


FIG. 3

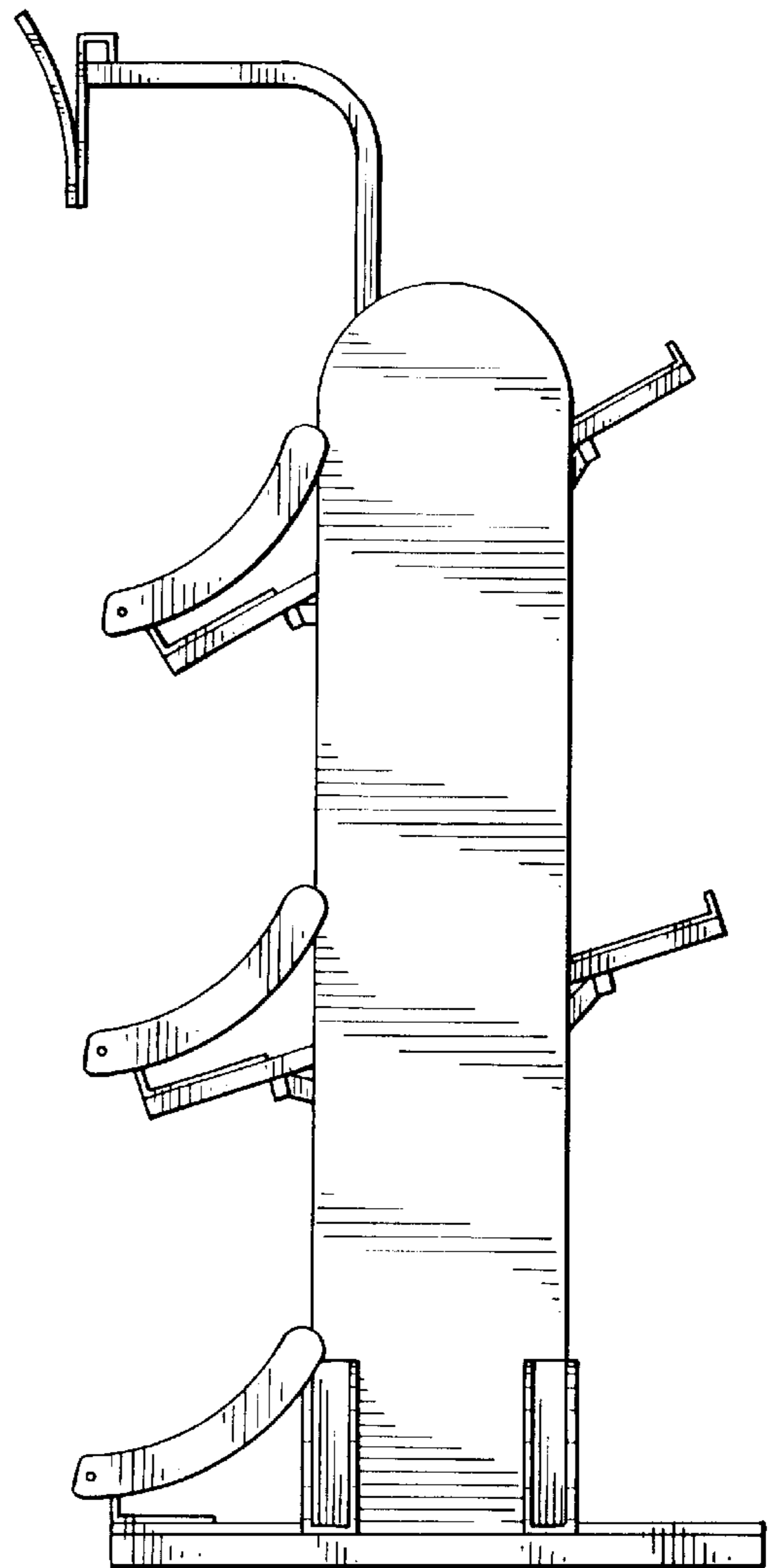


FIG. 4

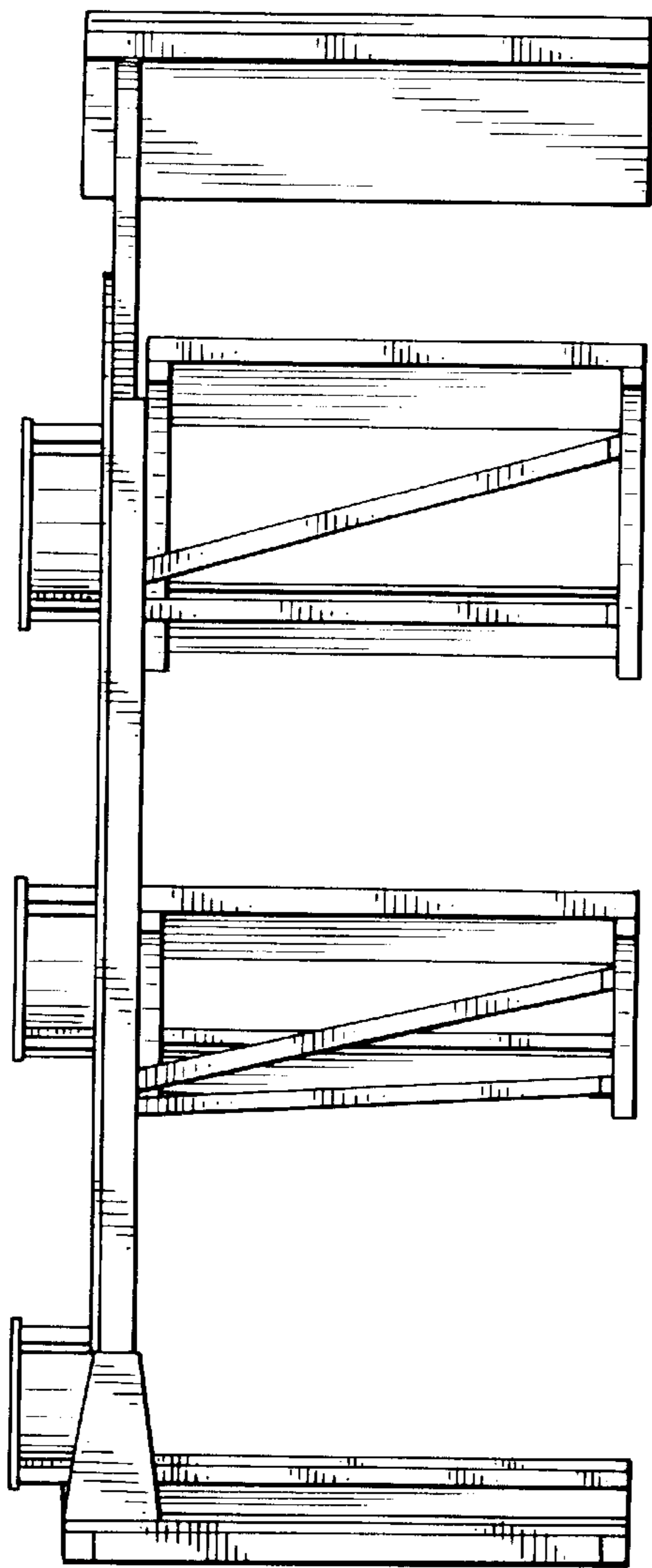


FIG. 5

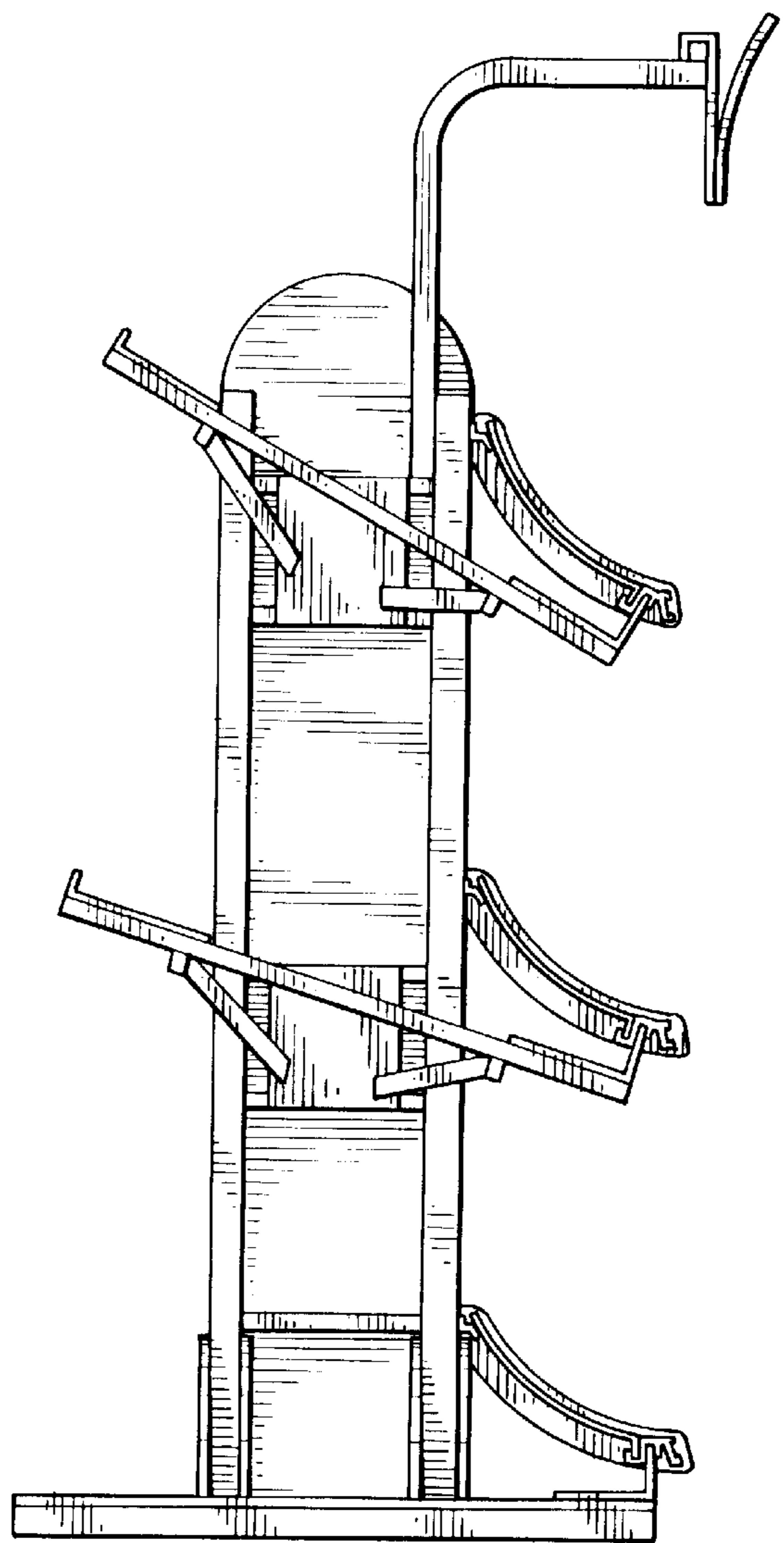


FIG. 6

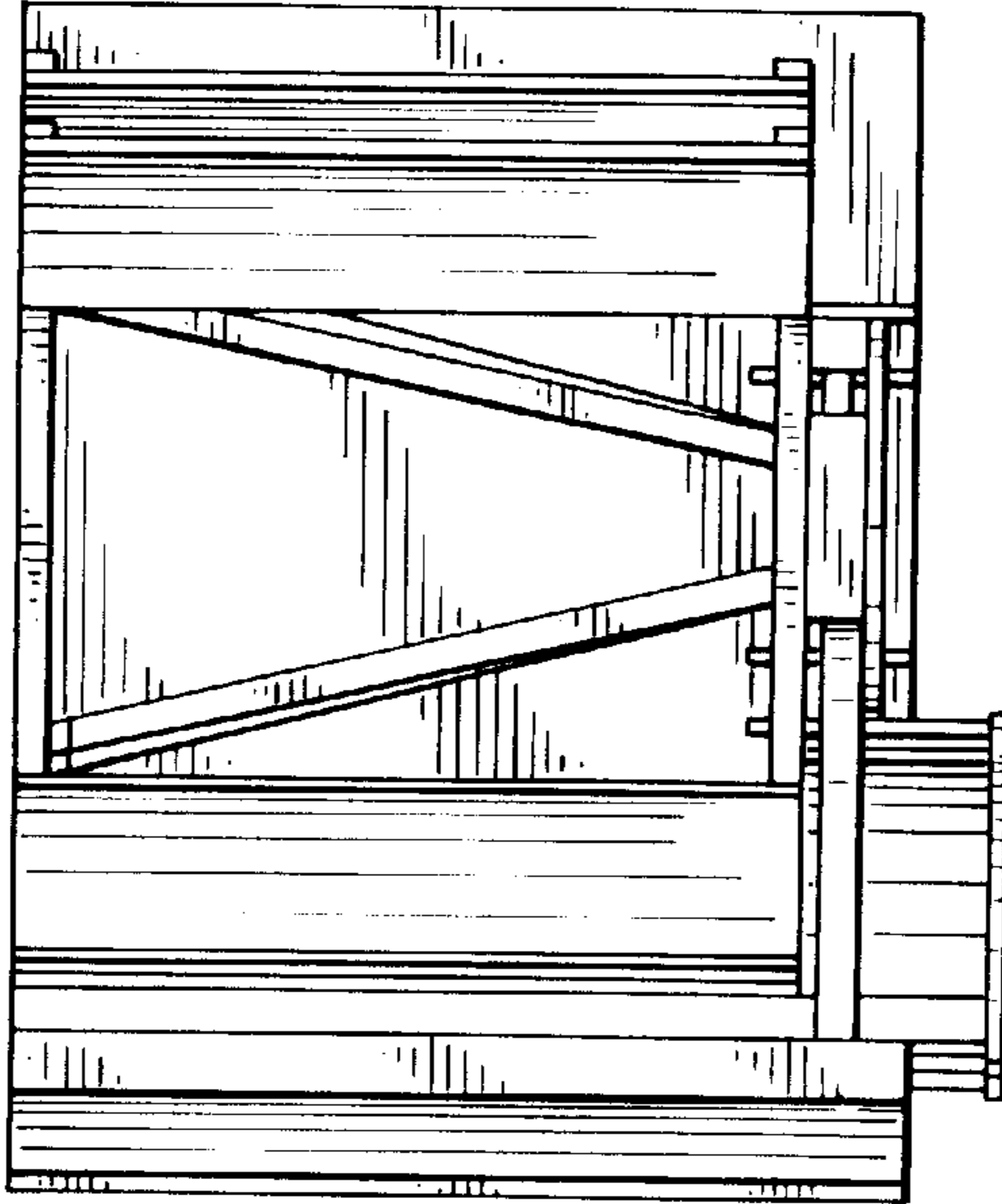


FIG. 7

