



US00D415905S

United States Patent [19] Cain

[11] Patent Number: **Des. 415,905**

[45] Date of Patent: **** Nov. 2, 1999**

[54] **BEDSTEAD**

[75] Inventor: **Charles C. Cain**, High Point, N.C.

[73] Assignee: **Thomasville Furniture Industries, Inc.**, Thomasville, N.C.

[**] Term: **14 Years**

[21] Appl. No.: **29/086,901**

[22] Filed: **Apr. 22, 1998**

[51] **LOC (6) Cl.** **06-01**

[52] **U.S. Cl.** **D6/393; D6/388**

[58] **Field of Search** D6/382, 385, 388,
D6/390-395, 505-508; 5/53.1, 907, 279.1,
280, 281

[56] **References Cited**

U.S. PATENT DOCUMENTS

D. 374	5/1851	Hutton	D6/388
D. 282,231	1/1986	Scully et al.	D6/506
D. 391,781	3/1998	Cain	D6/393
D. 394,167	5/1998	Estapeet	D6/393

OTHER PUBLICATIONS

E. Graeme Robertson and Joan Robertson, "Cast Iron Decoration: A World Survey," items 17 and 446, believed to be prior art.

Wood and Metal Headboard, Home Inspirations brochure, Drexel Heritage, pp. 32 and 33, believed to be prior art.

Candlestick, source of photograph unknown, believed to be prior art.

Primary Examiner—Janice E. Seeger
Attorney, Agent, or Firm—Rhodes & Mason, P.L.L.C.

[57] **CLAIM**

The ornamental design for a bedstead, as shown and described.

DESCRIPTION

FIG. 1 is a front perspective view of a bedstead showing my new design;

FIG. 2 is a side elevation view, the opposite side being a mirror image thereof;

FIG. 3 is an enlarged partial front elevation view of the headboard section thereof;

FIG. 4 is an elevation view of the rear of the footboard section thereof;

FIG. 5 is an elevation view of the front of the footboard section thereof;

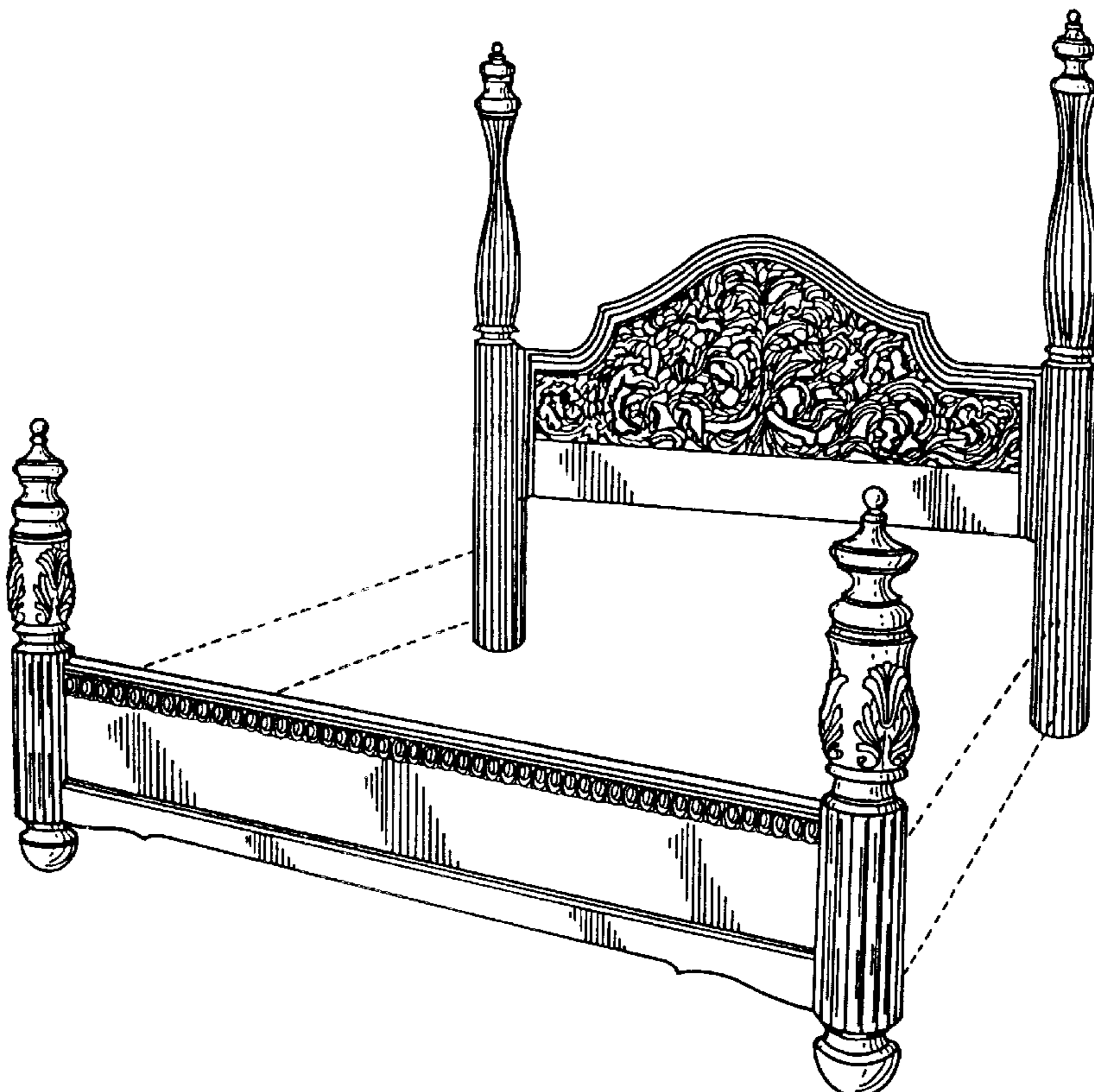
FIG. 6 is an enlarged partial elevation view of the front of the footboard section thereof;

FIG. 7 is a top view of the footboard section thereof; and, FIG. 8 is a top view of the headboard section.

The bottom views (not shown) of the headboard and footboard sections and the rear view (not shown) of the headboard section form no part of the claimed design.

The broken line showing of environmental elements is for illustrative purposes only and forms no part of the claimed design.

1 Claim, 4 Drawing Sheets



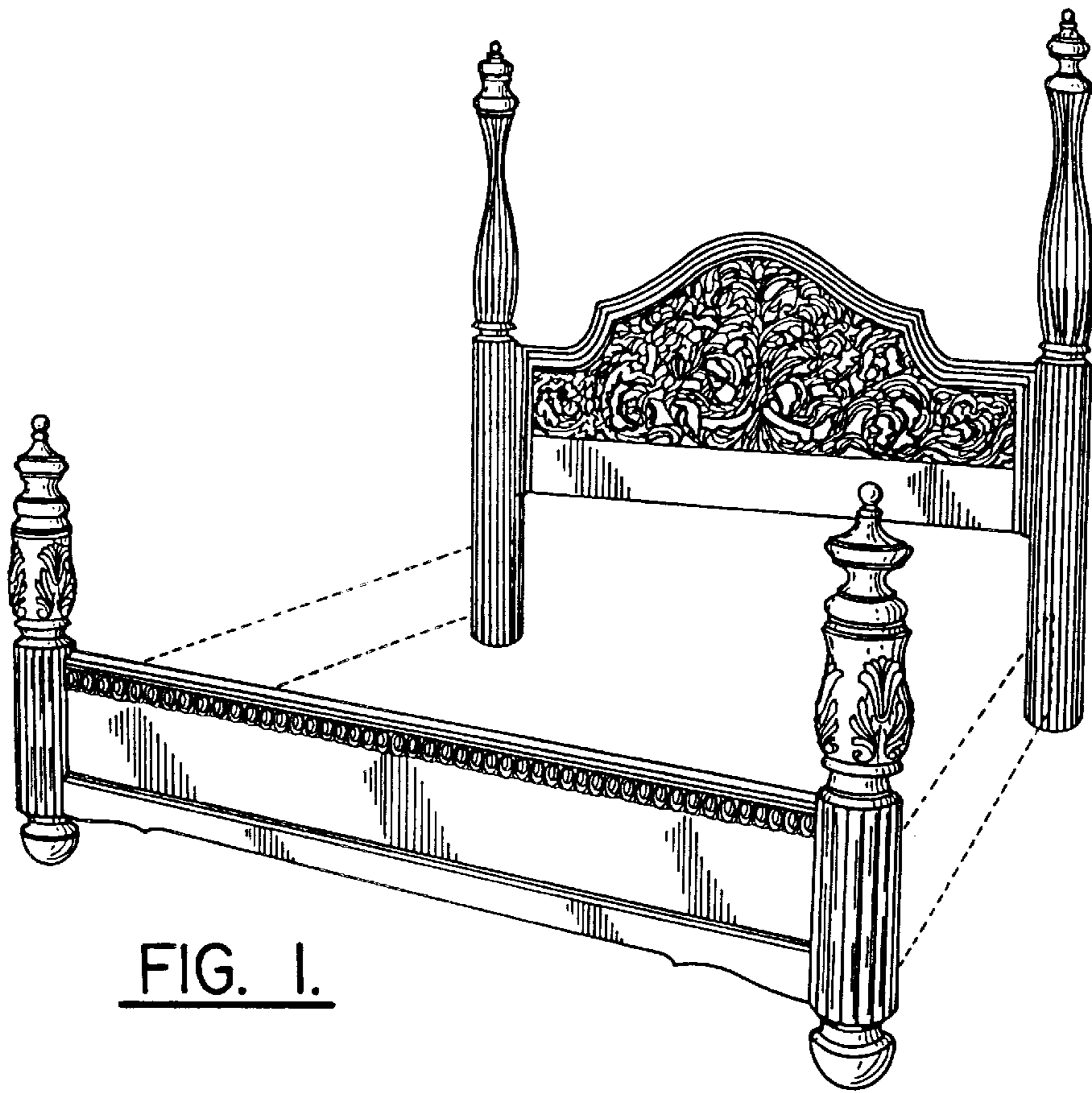


FIG. 1.



FIG. 2.



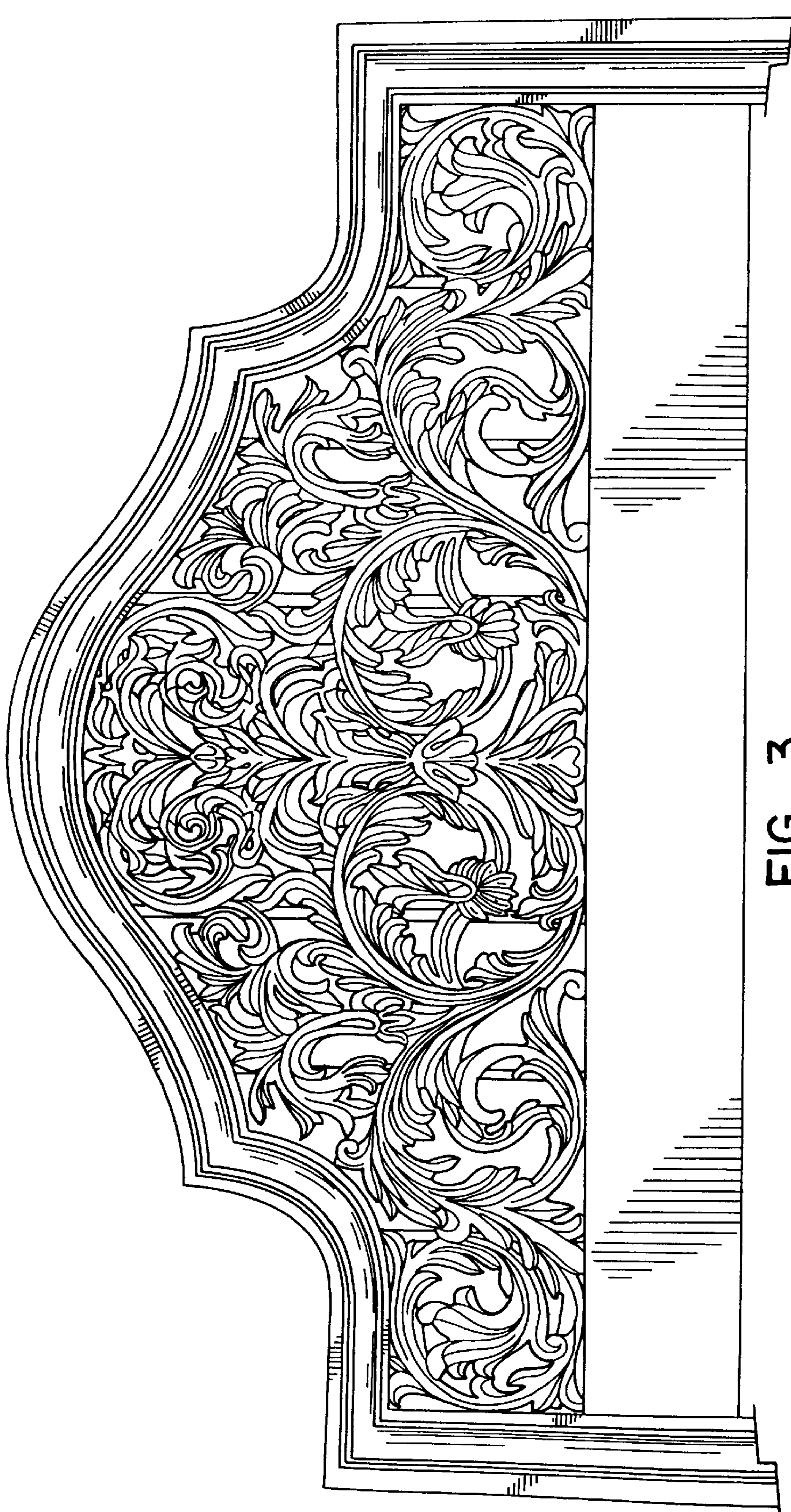


FIG. 3.

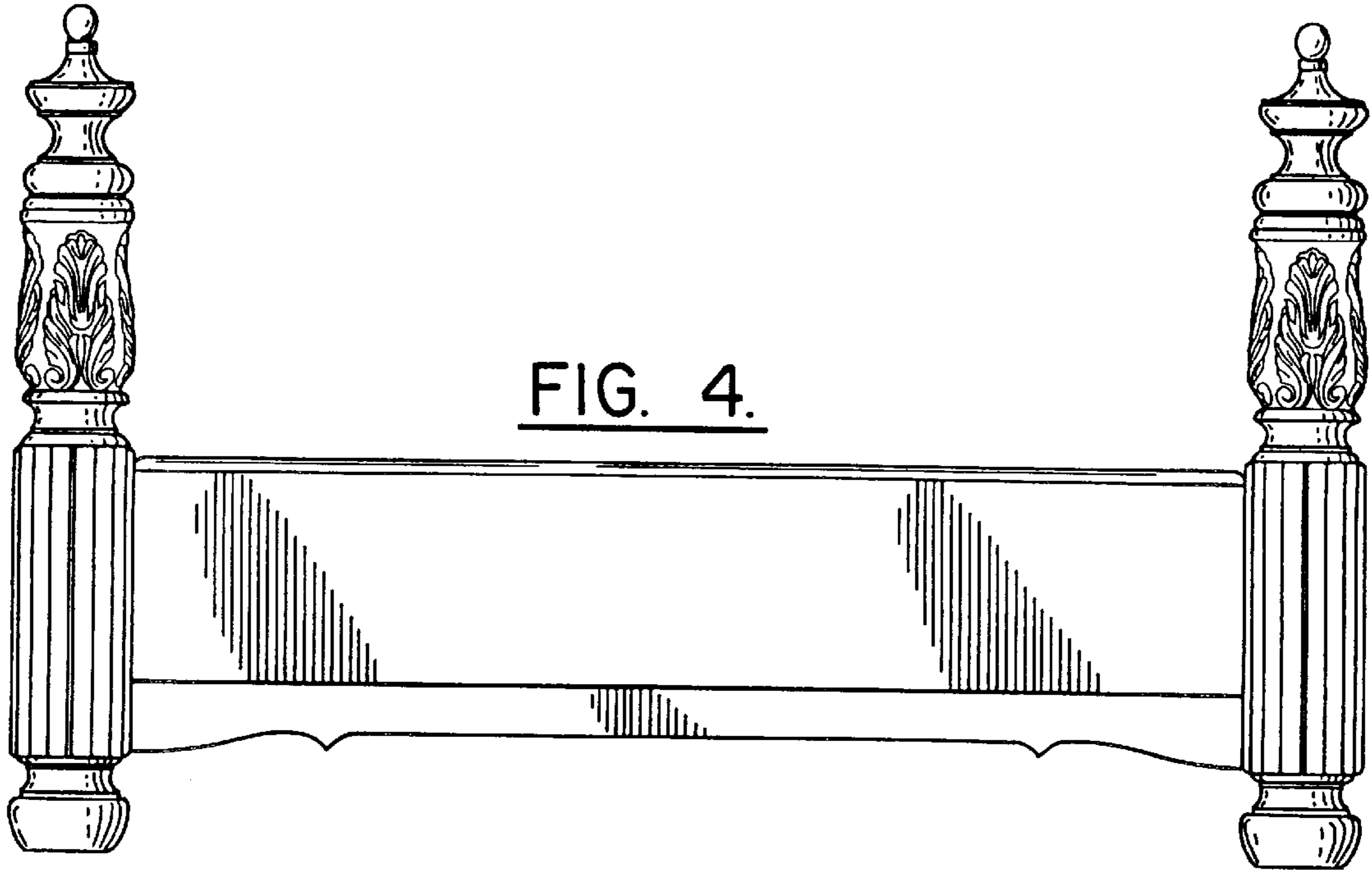


FIG. 4.

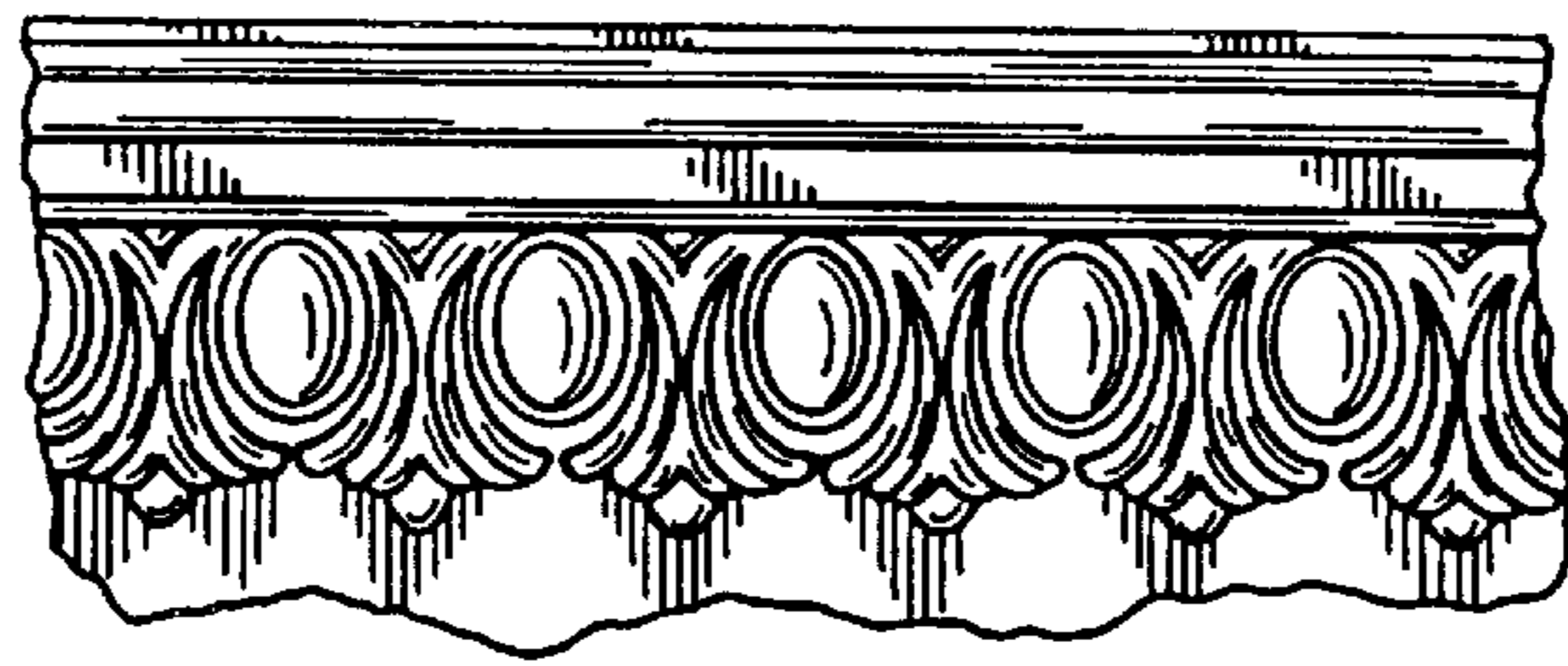


FIG. 6.

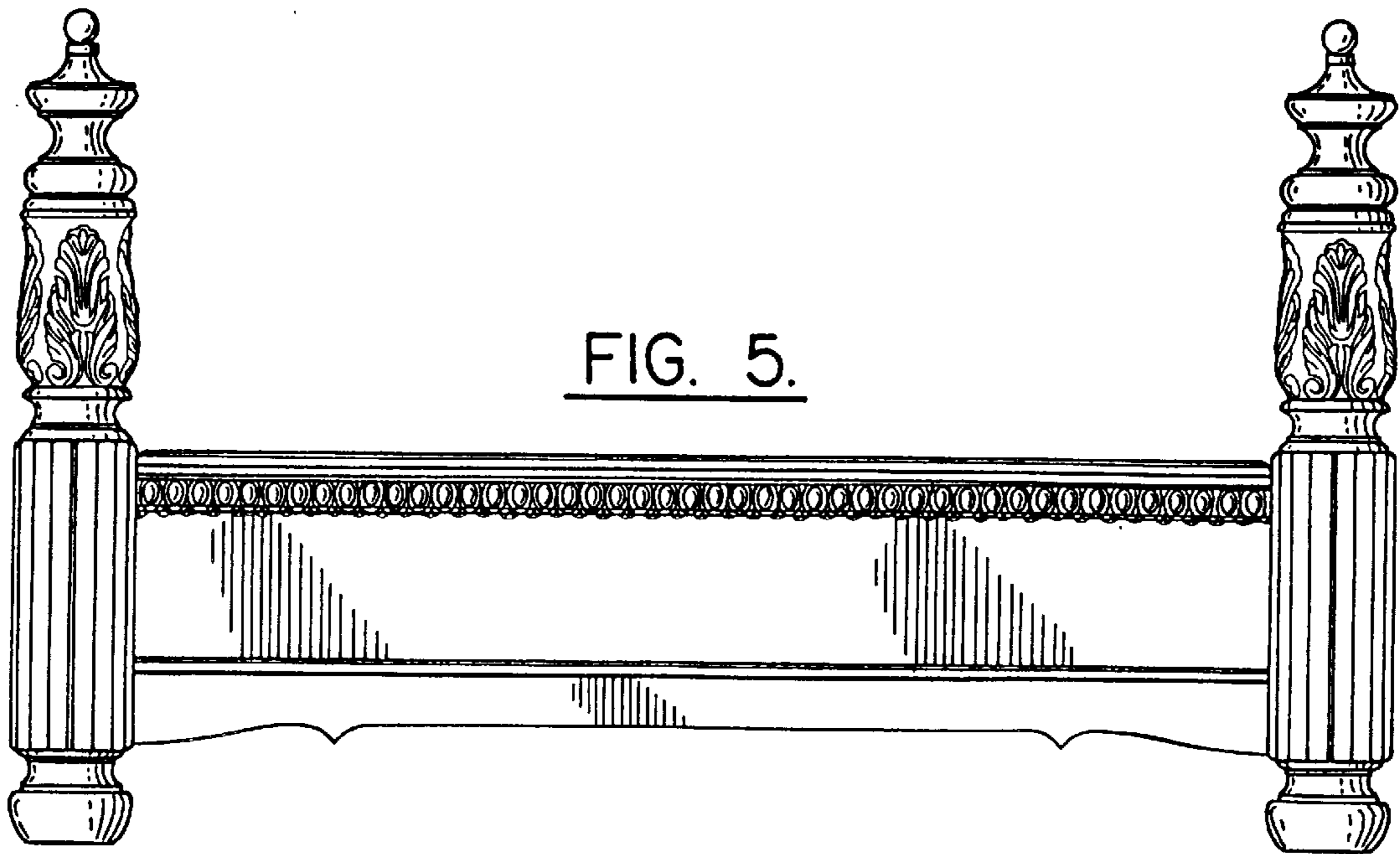


FIG. 5.



FIG. 7.

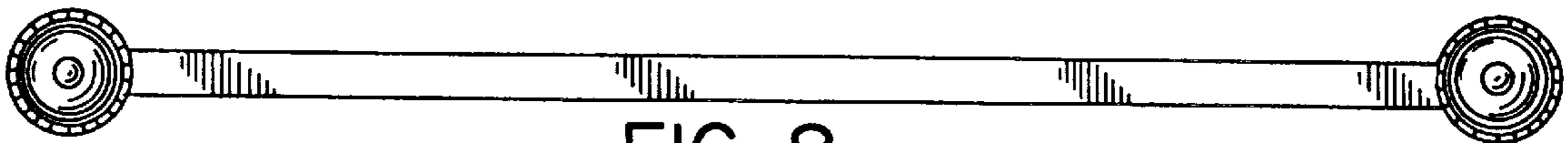


FIG. 8.